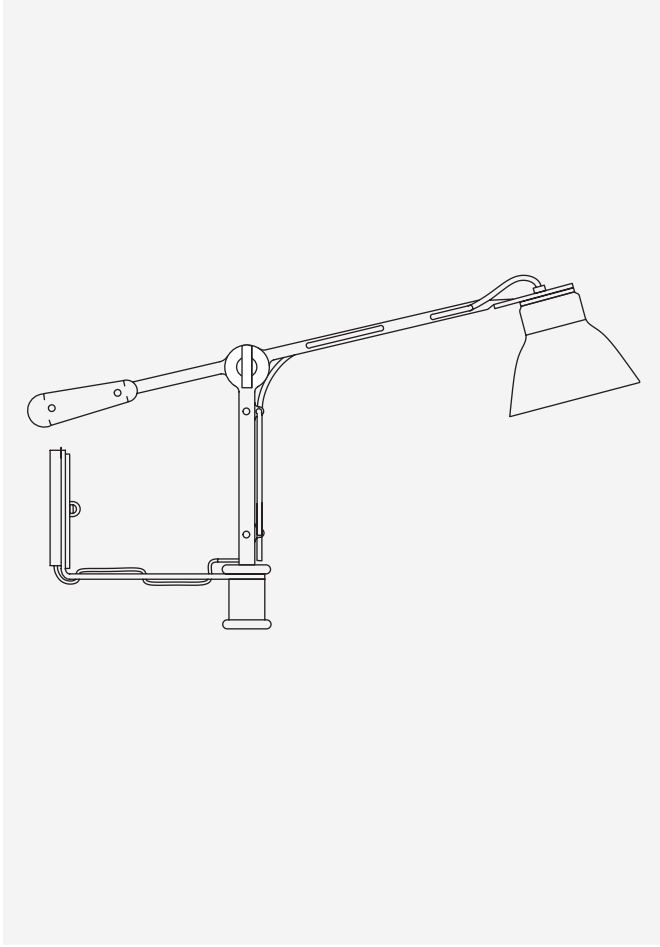


ALEK WALL SCONCE





DESCRIPTION

It has an articulating arm that locks in place with an oval key. The umber cord is loosely woven along the sconce body to allow for a full range of motion. The brass rivets and leather detail at the stoneware ceramic shade add a warm modern touch to the sconce. The sconce is offered in three color options: Cream, Poppy and Almost Black, and has a matching stoneware ceramic backplate with brass details and on/off switch.

SPECIFICATIONS

CERAMIC SHADE + BACKPLATE



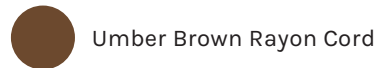
BODY



METAL ARMS



CORD



MATERIALS Maple, powder coated steel, stoneware ceramics, umber cord, brass.

LAMPING 1 x E12 base. 120 VAC

BULB To ensure lifelong performance we recommend the use of LED bulbs under 40 watts.

CERTIFICATION Can be UL certified. Please inquire.

PRODUCT WEIGHT 2.37 LBS

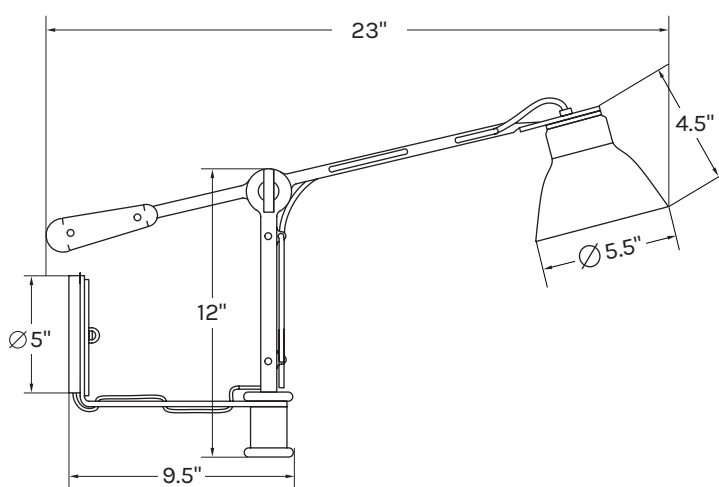
NOTES

1. Dimming compatible.
2. Dry location rated.
3. Made to order. Please allow 14 - 16 weeks for delivery.
4. Finish samples are available upon request.

CARE

We recommend using a microfiber dust cloth to care for ceramic and wood fixtures. Kindly avoid additional cleaners and products.

Brass is unfinished and will naturally patina over time.

DIMENSIONS	SIDE
<p>Depth: 9.5" D (pivot point). 23" D (shade, fully extended)</p> <p>Height: 12" H (maple body) 22.5" H (shade, fully extended)</p> <p>Arm: 22" L (with shade)</p> <p>Shade: 4.5" H 2.5" DIA (top) 5.5" DIA (bottom)</p> <p>Backplate: 5" DIA</p>	

DIMENSIONS	ISOMETRIC
<p>Depth: 9.5" D (pivot point). 23" D (shade, fully extended)</p> <p>Height: 12" H (maple body) 22.5" H (shade, fully extended)</p> <p>Arm: 22" L (with shade)</p> <p>Shade: 4.5" H 2.5" DIA (top) 5.5" DIA (bottom)</p> <p>Backplate: 5" DIA</p>	