

LOSTINE

11" Edmund Pendant



Shown in Maple

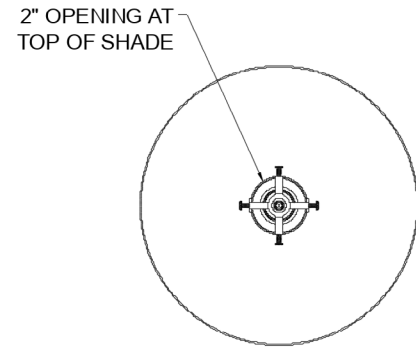
DESCRIPTION

The Edmund Pendant light is constructed with a hand turned wooden shade that rests on a 6" clear glass globe. All lights have 12 feet of twisted brown cloth cord, a plug and an on/off switch on the cord. The pendant can be ordered with a plug and on/off switch or ready to be hardwired with the choice of a canopy. UL approval available upon specific request. Please note: canopy options are white, brass, or oil rubbed bronze. Made in the USA by Robert Ogden for Lostine.

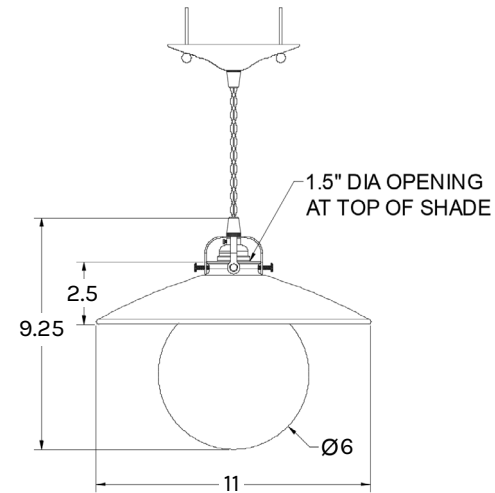
WOODEN SHADE

Wooden shade is turned and finished by hand. Some variants in the color and wood grain between shades is to be expected.

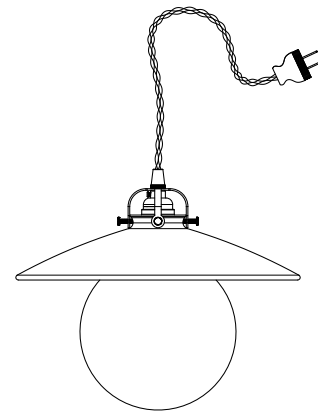
TOP



HARDWIRED



PLUG



DIMENSIONS:

- Shade: 11" Dia. x 2.5" H
- Height: 12.5"
- Cloth cord: 12' L
- 6" globe (glass)

MATERIALS:

Glass globe, wood shade, cloth twisted cord with plug, brass socket

BULB:

Light bulb not included. We recommend a 40-watt equivalent, standard A19 LED bulb. Not UL approved. Please inquire for UL requirements.

NOTES:

Wooden shade is turned and finished by hand. Some variants in the color and wood grain between shades is to be expected.

FINISHES:



Maple, Natural



Maple, Clear



Black Walnut

CANOPIES:

- 5.25" diameter x 1" H

CANOPIES FINISHES:



Oil Rubbed Bronze



White



Brass