

## EDMUND PENDANT - 11”





**DESCRIPTION**

From the stunning hand-turned maple shade and oversized clear globe to the delicate cut brass fitters, its playful silhouette is well-suited to any room. Choose between a clear, brighter finish or a warmer natural maple finish. Also available in black walnut.

**SPECIFICATIONS**

**Shade**

-  Black Walnut
-  Clear Maple
-  Natural

**Metal Canopy**

-  Oil Rubbed Brass
-  Satin Brass
-  White Metal

**Cord**

-  Beige Rayon
-  Brown Rayon

**Materials** Glass globe, wood shade, rayon twisted cord, brass details.

**Mount** Flat ceiling standard mount. Sloped ceiling option available upon request. Please inquire.

**Lamping** 1 x E26 Lamp Base. 120VAC

**Bulb** To ensure lifelong performance we recommend the use of LED bulbs under 40 watts.

**Certification** Can be UL certified. Please inquire.

**Product Weight (lbs)** 2.65 (Black Walnut), 2.90 (Clear Maple), 2.85 (Natural Maple)

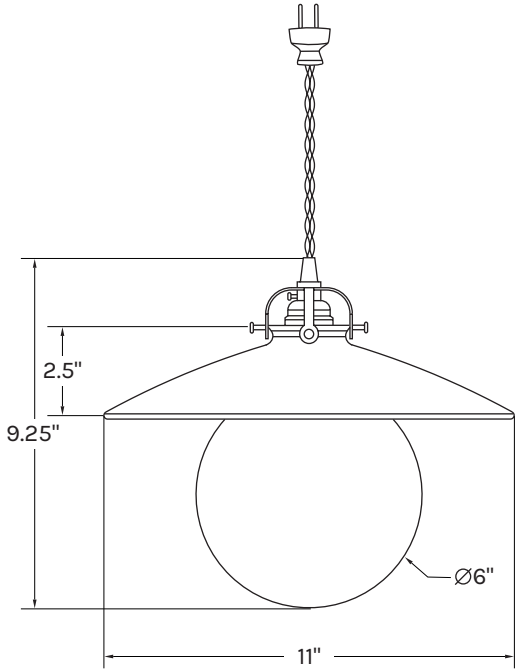
**NOTES**

1. The wooden shade is hand-turned. Some variance in the wood grain is to be expected.
2. Dimming compatible when hardwired.
3. Dry location rated.
4. Made to order. Please allow 2-4 weeks for delivery.
5. Finish samples are available upon request.

**CARE**

Please care for the brass pieces with a soft cloth, and avoid using any abrasive cleaners or products.

We recommend using a microfiber dust cloth to care for wood fixtures. Kindly avoid additional cleaners and products.

DIMENSIONS	PLUG
Shade: 11" DIA x 2.5" H	
Height: 9.25" H	
Cord: 12' L (plug-in) 10' L (hardwired)	
Globe: 6" DIA	
DIA: 3" DIA (opening at top of globe)	
Canopy: 5" DIA x 1" H	
	

DIMENSIONS	HARDWIRED
Shade: 11" DIA x 2.5" H	
Height: 9.25" H	
Cord: 12' L (plug-in) 10' L (hardwired)	
Globe: 6" DIA	
DIA: 3" DIA (opening at top of globe)	
Canopy: 5" DIA x 1" H	
	