



LUXEWALL
BY HARDWOOD BARGAINS

ACOUSTIC SLAT PANEL

Installation Instructions



✉ info@luxewall.com

☎ (844) 589-3925

Required Tools:

- Level
- Pencil
- Measuring Tape
- Utility Knife
- Saw (Circular, Table Saw, or Jigsaw)
- 1 ½" black flat-head screws
- Electric Drill or Screwdriver

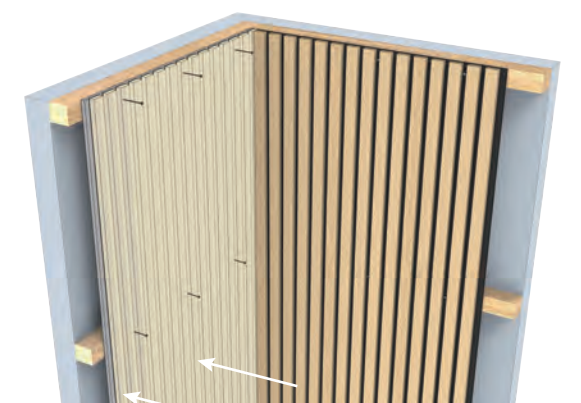
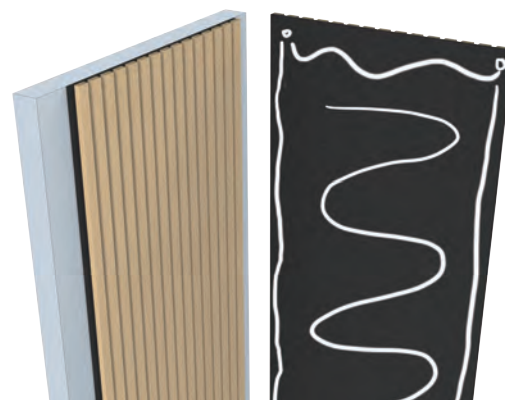
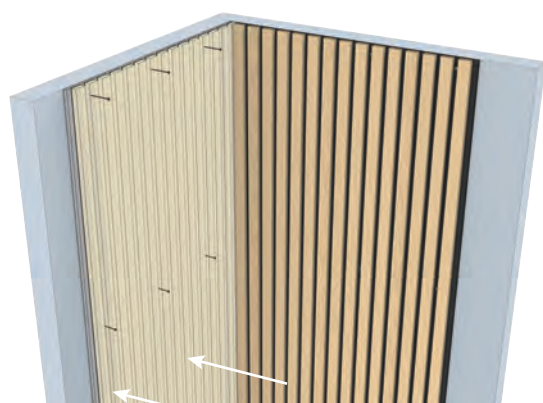
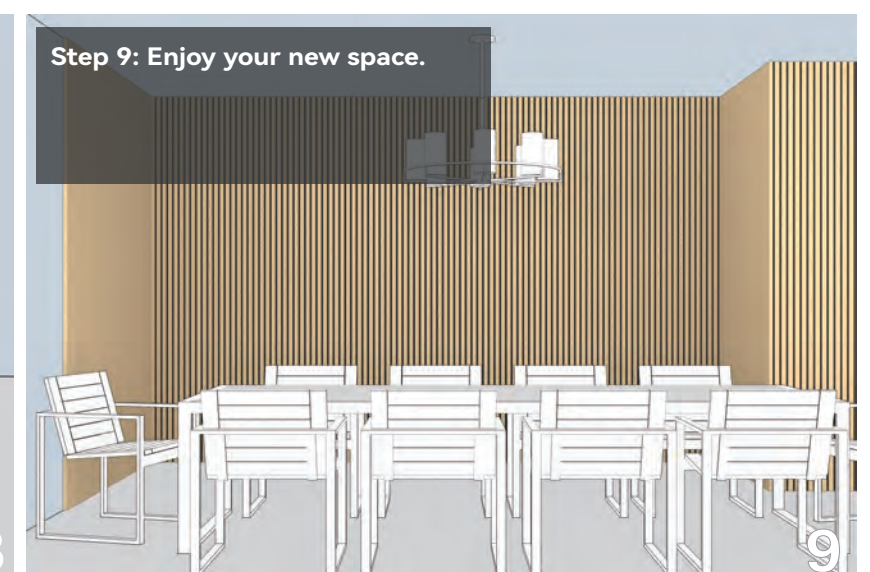
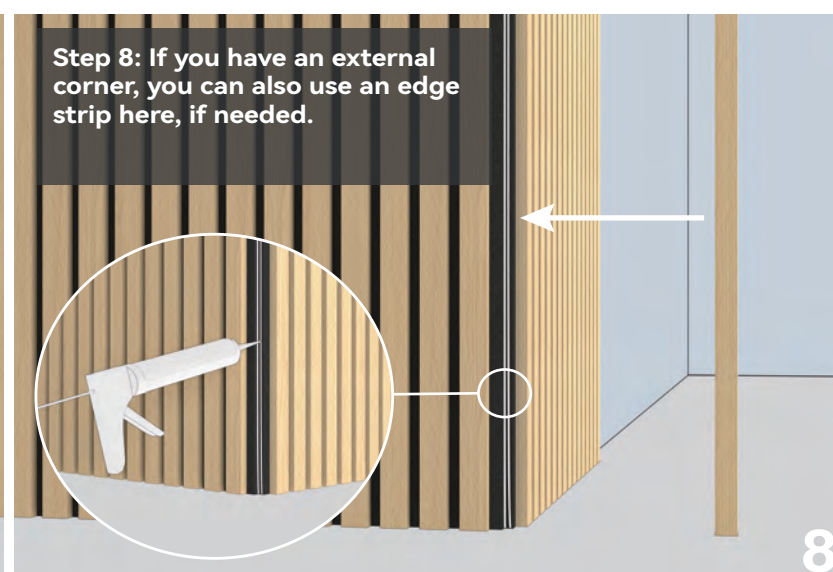
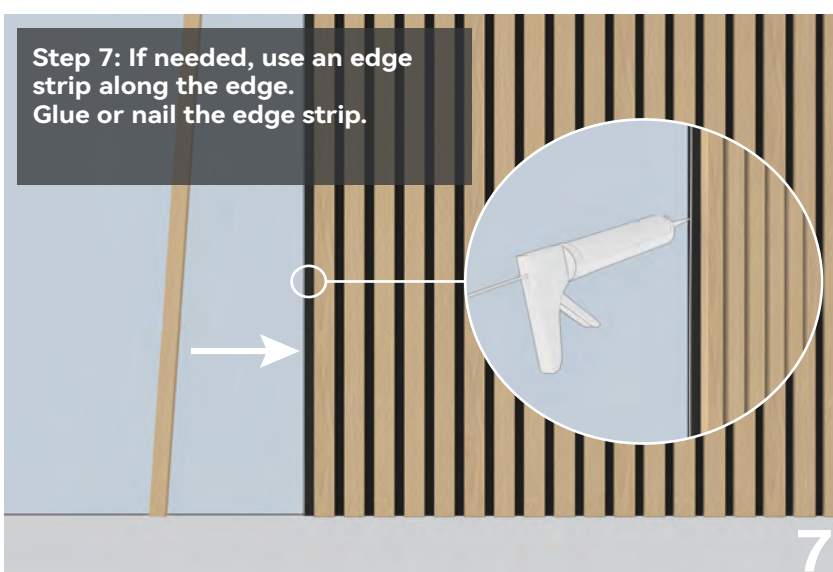
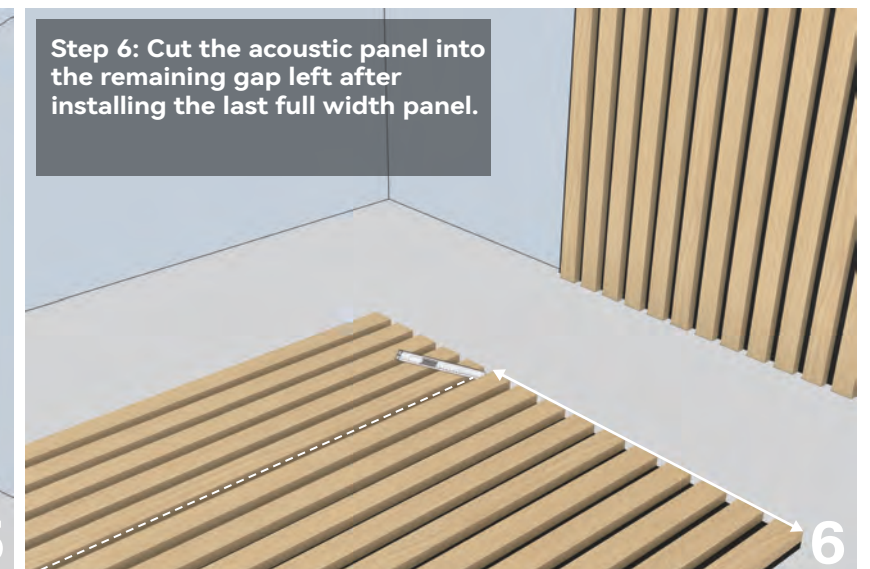
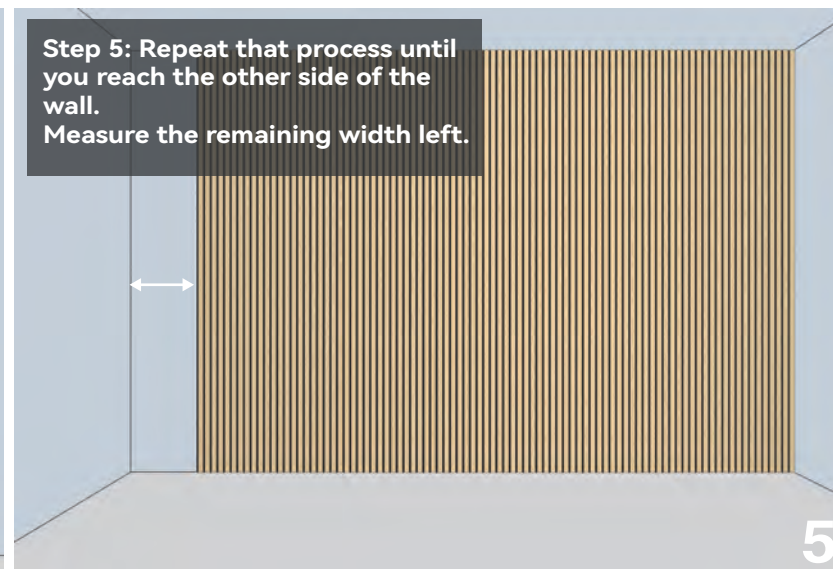
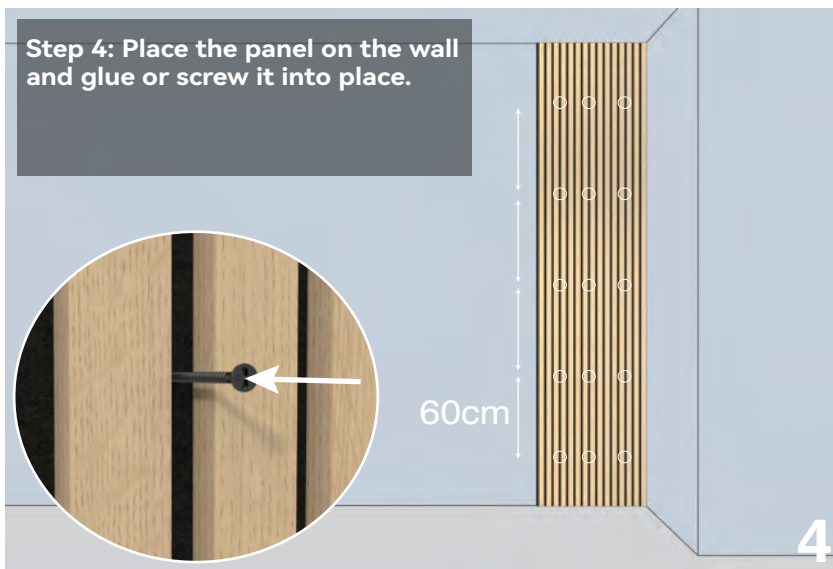
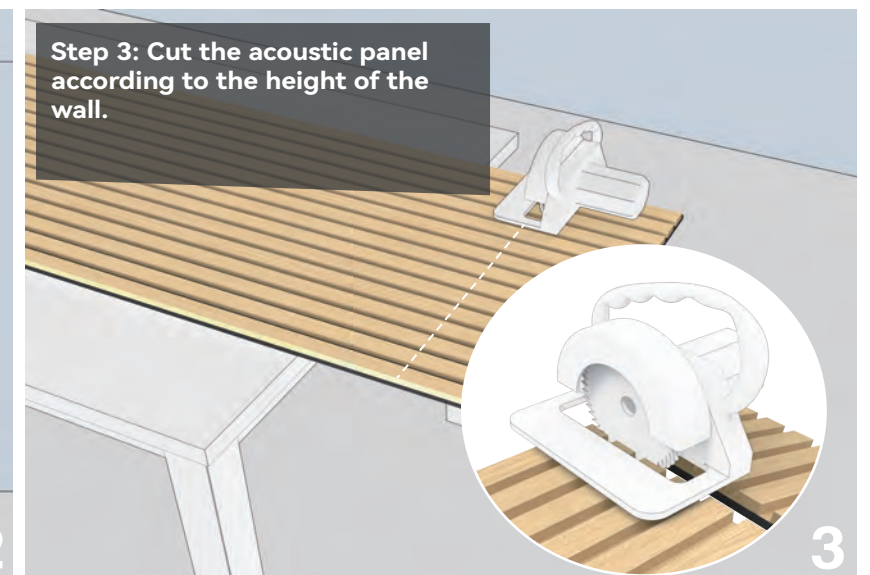
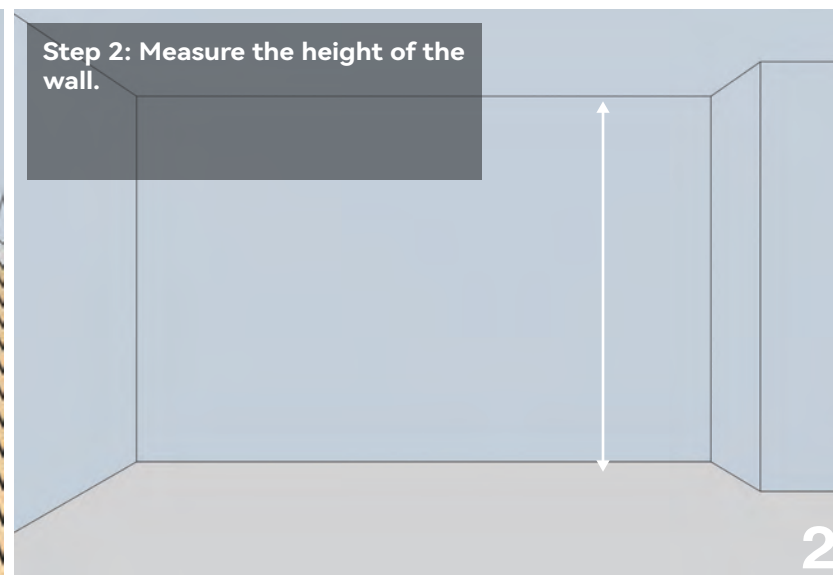
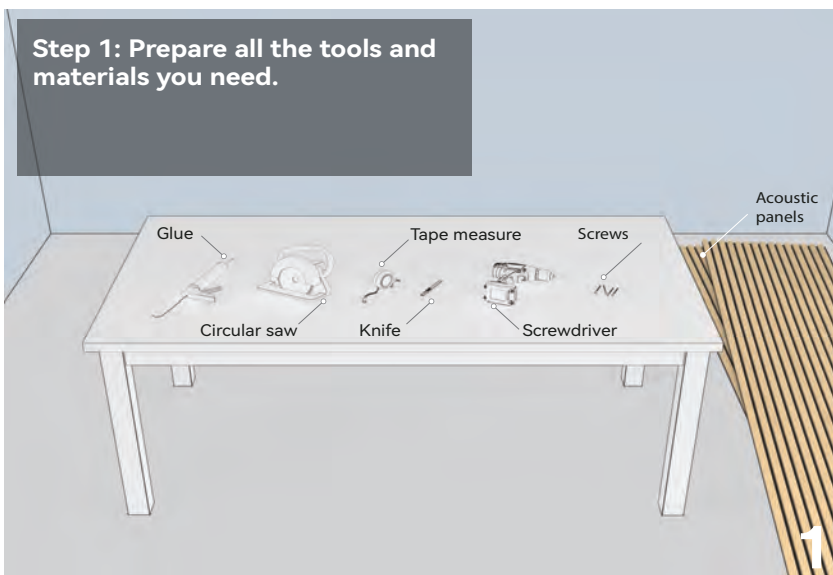
Preparation:

- Prior to installation, wall panels must be acclimated for all high-humidity environments. Allow a minimum of 48 hours for panels to acclimate at the location where you are installing them. Do not install in any area with excessive moisture such as bathrooms.
- Remove all accessories, moldings, light switches and electrical outlets from the wall where the product is going to be installed.
- Make sure that the surface of the wall is even. ¾" thick plywood can be installed over the drywall if the wall is in poor condition.
- Remove any loose paint with a painter's knife.

Installation Instructions:

1. Find the level line in the center of the wall (never use floor or ceiling lines, or side walls for installation).
2. Attach the panels on the wall by drilling 1 ½" screws through the black felt and into the wall. Use at least 6 screws per panel, securing the corners and middle of each panel to the wall.
3. Make sure that the felt side from one panel is flush with the wood side of the previous one so that the gap between the slats stays uniform.
4. Along the vertical edge of the wall, cut the slats by using a utility knife on the felt backing to adjust the width.
5. To adjust the height of the panels, use a pencil and a level to mark the line where you want to cut, then use a saw and cut along line

INSTALLATION GUIDE



A. Screw the panels directly to the wall.

B. Glue the panels directly to the wall.

C. Attach battens and install wool between the battens, before screwing the panels into place.