

## Catch n' Release Instructions

**Note:** The following procedures need to be done on level ground.

**Note:** Keep the trailer secured to the tow vehicle at all times.

### STEP 1:



Undo the safety chain. Move the boat back 200mm on the trailer from the bow roller to allow room to work. Leave the winch hook connected to the bow eye and peel off winch strapping a little at a time with the winch safety lock engaged, pull the boat backwards. Repeat this step until you are 200mm back from the winch post and it is safe to remove the winch hook from the bow eye.

**Note:** Transom weights can vary on different boat models, be aware of the balance of your boat on the trailer so that you do not pull the boat back too far and the boat starts to tip off the trailer.

**Beware:** The boat is now not secured to the trailer at all. Secure the boat to the trailer by other means is highly recommended. Be aware of your surroundings and use caution.

### STEP 2:



Use spanners loosen the bolts on the bow roller and remove the bow roller.

### STEP 3:



With a tape measure or ruler, measure 80mm from the bottom of the bow roller hole and mark a centre position in the middle of the bow roller arm. Centre punch the mark (this will help stop the drill bit from moving off the centre mark). Drill a 5mm pilot hole. Change to a 13mm drill bit and re-drill the hole. Repeat on opposite side arm.

**Recommend:** Paint the drilled holes with Cold Gal Paint. This needs to be done to prevent the winch assembly from rusting.

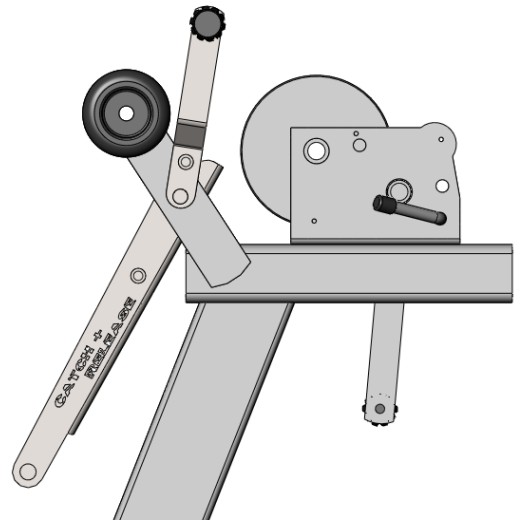
All Telwater steel products are pre-cut, drilled and fabricated before they are galvanised to make sure the item is protected in the best possible way. Any modification to this product needs to be sealed again to prevent any deterioration.

### STEP 4:



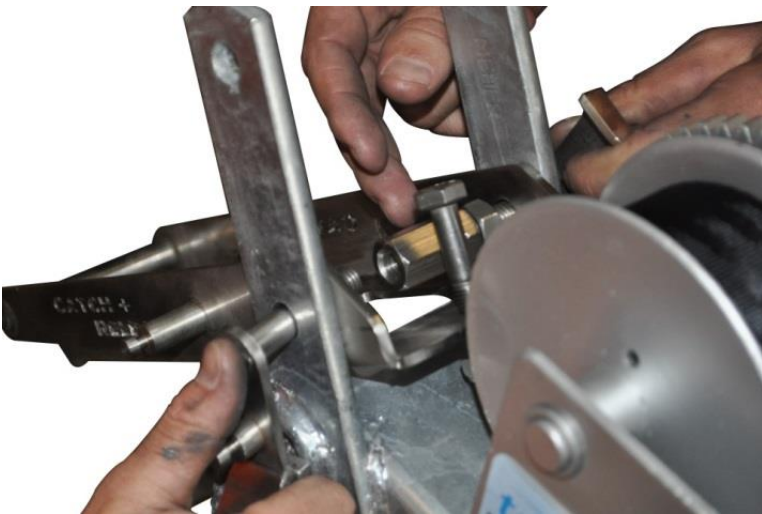
Screw the 10mm bolt through the single threaded hole at the top of the main body. Lock into place with the 10mm Nyloc nut. This bolt is used to adjust the main body height of the Catch n' Release once assembled to the winch.

## STEP 5:



The main body of the Catch n' Release mechanism will now fit between the bow roller arms. Line up the drilled holes in the bow roller arms with the corresponding holes in the Catch n' Release, place the large lever arm on the starboard side (right side) and the small lever arm on the port side (left side) in an upwards position. The stop tabs on the large lever arm and the small lever arm need to be forward of the bow roller arms for the mechanism to work.

## STEP 6:



Screw a locking nut all the way to the end of the bolt thread on both the large lever arm and the small lever arm. Now place a couple of drops of Cyberbond TM44 Threadlocker on the end of one of the bolt threads and screw the double nut on. Make sure both the locking nut and double nut are to the end of the bolt thread.

**Note:** Once you have applied the Cyberbond TM44 Threadlocker **Do Not Stop** until you have completed STEP 7, otherwise the Cyberbond TM44 Threadlocker will set.

Cyberbond TM44 Threadlocker...

Fixture time 15 – 60 minutes.

Full curing time 24 hours.

**Note:** Make sure the surface of the nut thread and bolt thread are clean.

## STEP 7:



The large lever arm and the small lever arm need to be flush against the bow roller arms (so the gap between the lever arms bolt threads in the middle is minimal). Place a couple of drops of the Cyberbond TM44 Threadlocker onto the receiving bolt thread and screw the double nut across so it is evenly distributed across both bolt threads. Place a couple of drops of the Cyberbond TM44 Threadlocker either side of the double nut on the bolt threads and screw the locking nuts tight against the double nut on both sides to lock the arms into place. The locking nuts should be screwed tightly so the arms move together. Make sure the large lever arm and the small lever arm are in line with each other.

**Tip:** Use one spanner on the locking nut and another spanner on the double nut to tighten.

**Note:** If you do not tighten the nuts up properly this will cause the mechanism to fail and the lever arms will fall out of alignment.

**Note:** Allow a minimum of 24 hours for the Cyberbond TM44 Threadlocker to set before use.

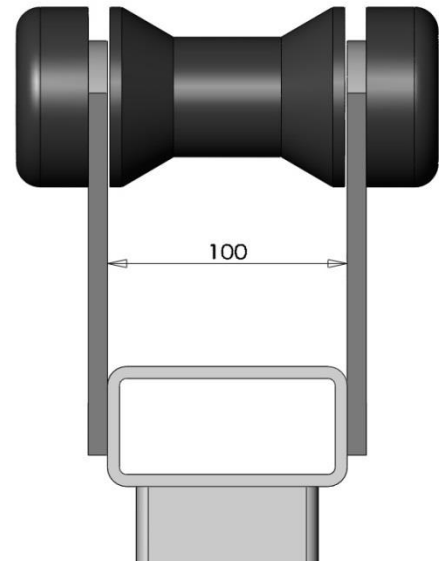
## STEP 8:



Hook a retention spring onto the pin on side of the main body. Pull the spring to hook over the pin on the large lever arm. Screw the M6 Nyloc nuts onto the ends of the pins, stop once the head of the pin is flush the outside of the nut. Repeat on opposite side.

**Note:** If you over tighten the nuts this will cause the springs to bind up and the mechanism to fail. The springs need to pivot around the pins freely.

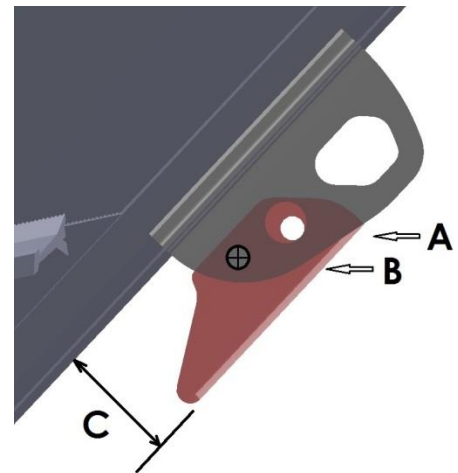
### STEP 9:



Refit the bow roller to the original position on the bow roller arms.

**Tip:** When re-fitting the bow roller Do Not over tighten. The spacing required in between the bow roller arms needs to be 100mm. If you over tighten, this will cause the bow roller arms to bend inwards. The Catch n' Release mechanism needs 100mm spacing in between the bow roller arms to operate.

### STEP 10:



Line up the 'retro fit bow eye' top hole with the bottom hole of the boats original bow eye ('A' shown in the picture), where the safety chain would normally bolt onto. Fix in place with one of the mating bolts ('A' shown in the picture). Mark the second hole on the boats original bow eye ('B' shown in the picture). Remove the 'retro fit bow eye' and centre punch the mark and drill with 10.5mm drill bit.

**Note:** Keep the 'retro fit bow eye' parallel with the keel of the boat ('C' shown in the picture).

### STEP 11:



Line the 'retro fit bow eye' back up with the safety chain hole and newly drilled hole and bolt in place with the two mating bolts.

**Note:** The large bow eye hole will now be used for your safety chain and your winch hook.

### STEP 12:



Reattach winch hook to the bow eye and winch boat back into place. Don't forget to reattach the safety chain to its new position in the main hole of the bow eye.

**Note:** Attach the winch hook to the main bow eye position and take up the slack in the winch strapping until the winch starts to pull the boat forward up the trailer. Release the temporary strapping that was used to secure the boat to the trailer whilst you were fitting the Catch n' Release mechanism to the winch. The winch should now have control of your boat on trailer.

**Warning:** Still beware of your boat's position on trailer whilst releasing the temporary strapping so the boat doesn't start tipping off the trailer. If your boat starts to tip - **Stop**. Retighten the temporary strapping and check the winch hook is connected to the bow eye properly and the winch strapping is tight indicating that it has hold of the boat on trailer. Repeat this technique until the boat is back in place secured to the winch on trailer.

**STEP 13:**



Use the 10mm bolt and Nyloc nut installed in step 4 to adjust the height of the main body to suit your boats bow eye by moving it along the thread and locking in place with the Nyloc nut.

**Tip:** The use of two spanners to tighten the Nyloc nut on the bolt will give the best result.

**Beware:** When you are setting the height of the main body Catch n' Release mechanism by the adjustment bolt, **Do Not** set the height to high so when you are driving your boat back up the trailer the receiving latch hits above the main bow eye. This will cause damage to the Catch n' Release and possibly the winch too.

**CORRECT**



**WRONG**



**Note:** The first time you use the Catch n' Release at the boat ramp for launching and retrieving your boat, take down your tools to fine tune the height of the mechanism.

## STEP 14:

How to operate your Catch n' Release.

### ENGAGED POSITION



Lever handle up - Engaged.

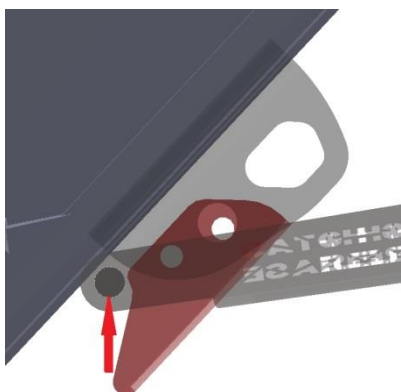
### DISENGAGED POSITION



Lever handle down - Disengage.

### Launching procedure:

1. At the boat ramp prep your boat for launching as you normally would.
2. Check your winch and Catch n' Release mechanism are in perfect working order. Springs are a major working part of this mechanism.
3. Engage the Catch n' Release mechanism - the lever handle in upward position, and the catch pin of the main body should be resting against the keel of your boat.
4. Winch hook and safety chain **should both be still attached**.
5. Reverse the boat down the boat ramp on trailer. Stop just before water's edge so you are still able to access the winch and Catch n' Release mechanism.
6. With the Catch n' Release mechanism engaged, undo the safety chain and slowly release the winch in a controlled manner and allow your boat to slide down the trailer until the Catch n' Release mechanism catch pin has hold of the 'retro fit bow eye' on your boat and your boat won't slide down the trailer anymore. Release the winch hook off the bow eye now. The boat will now be supported on trailer away from the winch by the Catch n' Release mechanism and the 'retro fit bow eye attachment'.



**Do not release** the winch hook from the bow eye if you are not confident your boat is safe on the trailer.

7. Disengage the Catch n' Release mechanism – the lever handle in downward position.

**Note:** The 'retro fit bow eye' will still hold the Catch n' Release mechanism in the engaged position even though the mechanism lever handle is in the disengaged position.



8. Reverse the boat down into the water to your required depth. The boat driver can now start up the boat engine (take note of the water depth for safe operation of your engine).
9. The boat driver can now engage the engine control in forward propulsion and slowly drive the boat up the trailer until the Catch n' Release mechanism disengages automatically.
10. The boat driver now puts the engine into neutral to slide back off the trailer. Beware of the angle of the boat ramp. If the angle of the boat ramp is steep the boat will slide off too fast - you may still want to use the engine in forward propulsion and slowly ease the propulsion off to help slide the boat off the trailer. If the ramp has a lesser angle you may find the boat won't move on the trailer - use the engine in controlled reverse propulsion to help slide the boat off the trailer.

**Warning:** Do not undo safety chain and winch hook before reversing down the boat ramp. The Catch n' Release mechanism is not a Safety device.

Tip for pre-launching: Remove all tie down strapping. Check all bungs are in. Check engine starts.

#### **Receiving procedure:**

1. Before reversing trailer back down the boat ramp, make sure the Catch n' Release mechanism is in the engaged position – lever handle up.
2. Reverse trailer into water at required depth.
3. Drive the boat up onto the trailer slowly until the Catch n' Release mechanism catch pin has hold of the 'retro fit bow eye'.
4. Pull the boat out of the water on trailer.
5. Stop once you have retrieved the boat out of the water far enough to access the trailer winch safely and reattach the winch hook to bow eye and retention the winch so it has hold of the boat on trailer. Reattach the safety chain too.

**Warning:** Do not drive the boat and trailer all the way up the boat ramp without the winch hook and safety chain engaged. The Catch n' Release mechanism is not a Safety device.

**Warning:** If the Catch n' Release mechanism does not operate in the manner explained in these procedures take caution and secure boat on trailer in traditional way. Contact seller of this product for advice.

**Caution:** The launching and retrieving of your boat on trailer should be carried out by a competent boat driver and by a person who has a current boat licence.

**Caution:** Know the boat ramp you are using. The angle of the ramp will affect the capabilities of launching and retrieving your boat on trailer. The trailer must have hold of your boat to guide you onto the Catch n' Release mechanism.

**General Maintenance:** Wash the Catch n' Release mechanism with fresh water after every use.

**General Maintenance:** Periodically inspect the Catch n' Release mechanism. Especially the springs because they are the main working part of the Catch n' Release mechanism.

The Catch n' Release mechanism is not to be used as a Safety device.

The Catch n' Release mechanism is to be used only as an aide for launching and retrieving your boat on trailer at a purpose built boat ramp.