

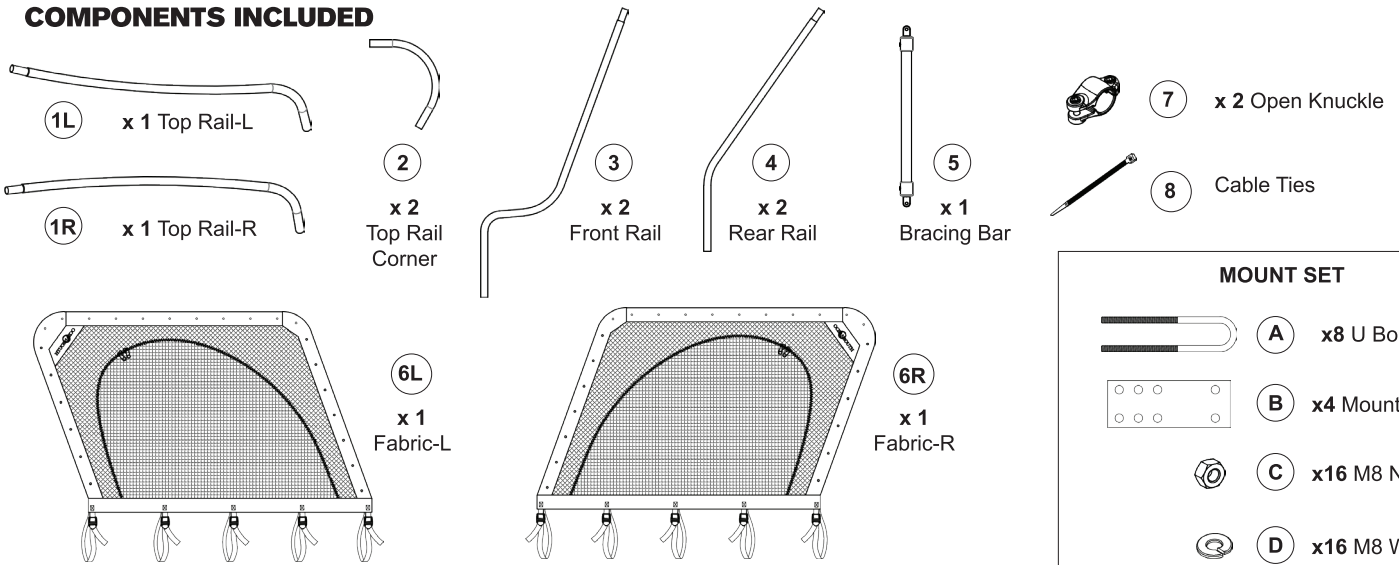
Read the entire instruction manual before starting, so that you are familiar with the stages of assembly and the tools required at each step



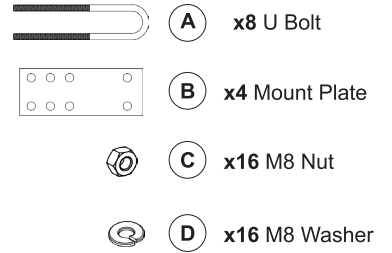
### Tools Required (NOT SUPPLIED)

Wrench | Tape Measure | Allen Keys

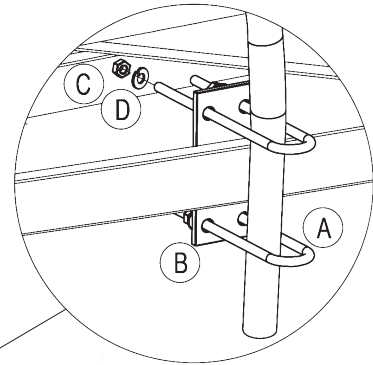
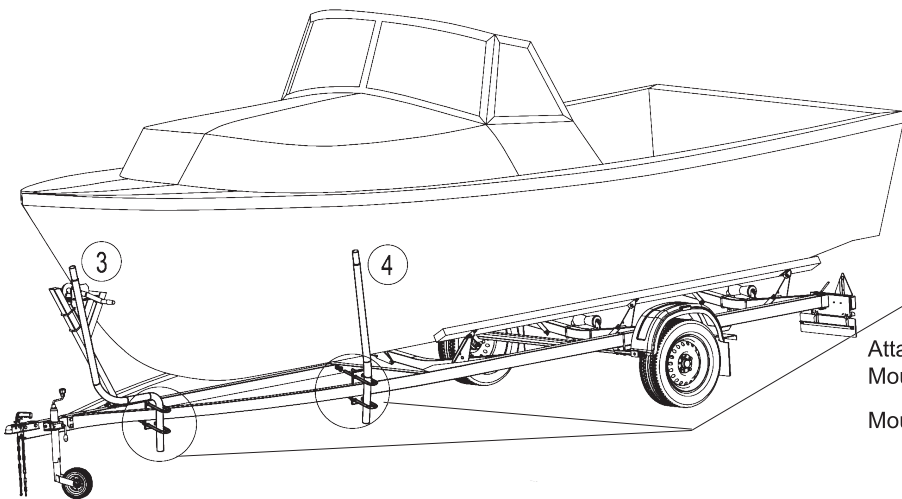
### COMPONENTS INCLUDED



### MOUNT SET



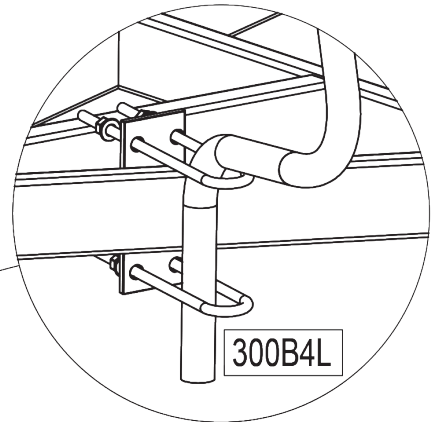
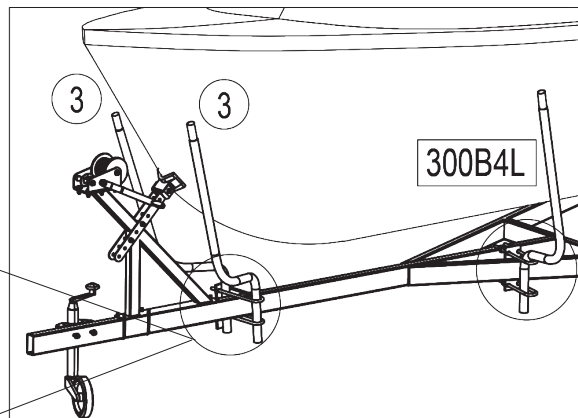
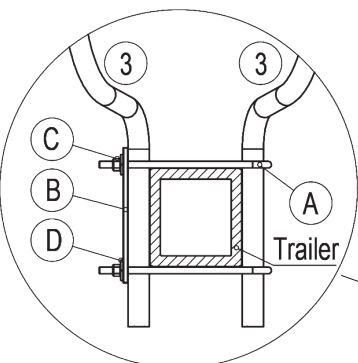
### STEP 1 Assembling Left side Front Rail and Rear Rail



Attach Front Rail (3) & Rear Rail (4) to Boat Trailer using Mount Set (as shown in the diagram)

Mount Sets will be tightened on final adjustment of guard

### ADDITIONAL GUIDE

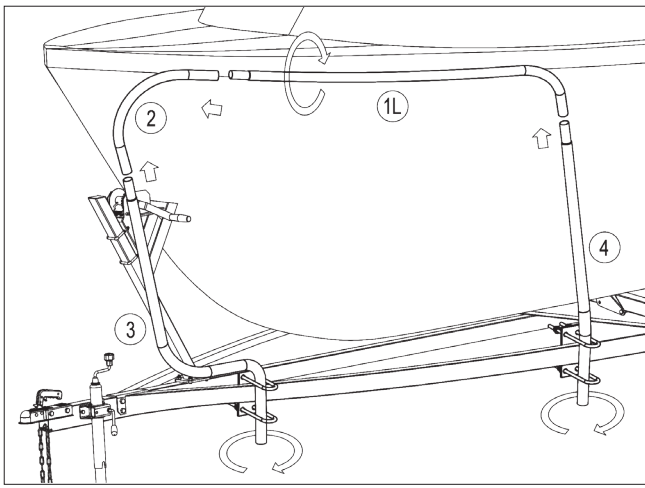


For single tongue trailer, The Front Rails (3) mount as shown

### ATTENTION:

If part (4) is positioned too close to the hull extension parts 300B4L & 300B4R will be needed .

Extension parts only on special order from Oceansouth



**STEP 2**

**Assembling Left Side Top Rail (1L) & Top Rail Corner (2)**  
(as shown in the diagram)

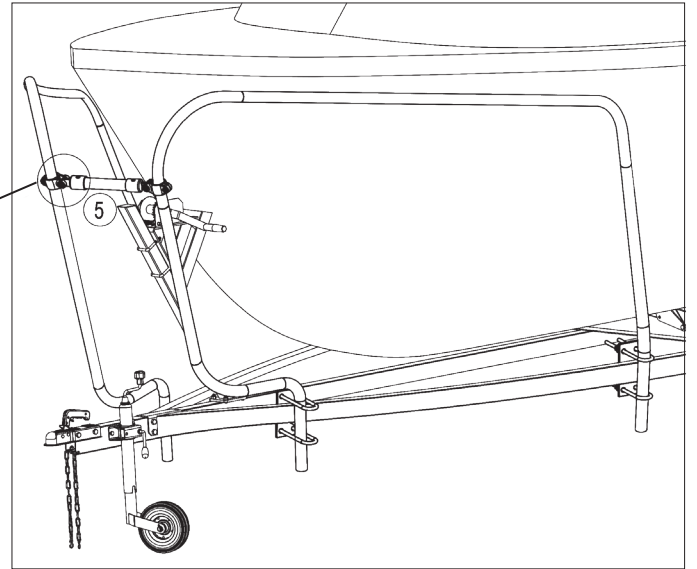
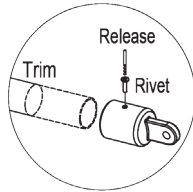
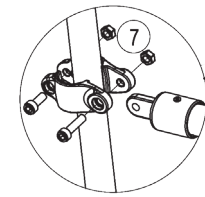
Repeat **STEP 1 and 2** to assemble Right Side Frame

**STEP 3**

**Assembling the Bracing Bar**

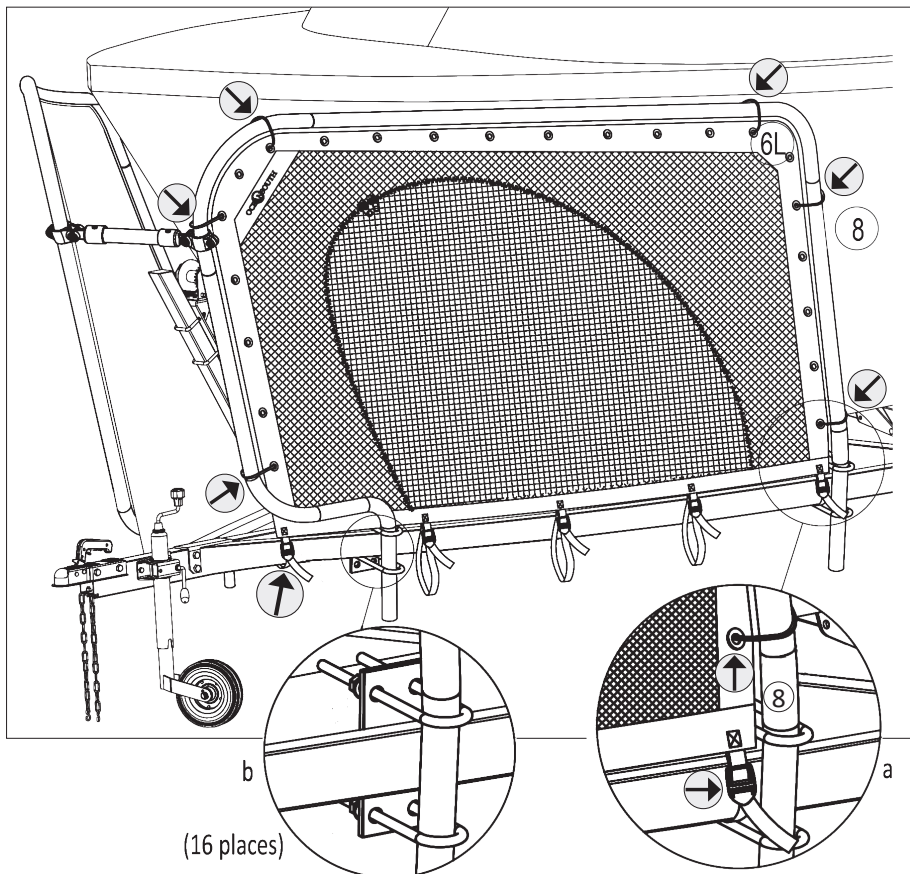
Join both Side Frames using  
Bracing Bar (5)  
(as shown in the diagram)

Bracing Bar may need to be  
trimmed to suit trailer  
tongue size



**STEP 5**

**Attaching the Fabric**

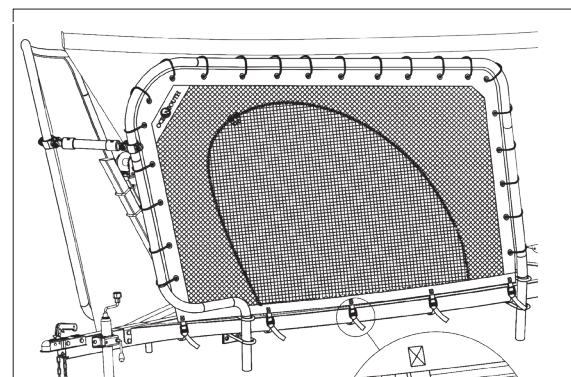


a. Position Left side Fabric (6L) over the Frame,  
Fasten with Cable Ties (8) & Webbing Straps  
on Fabric (as shown in the diagram) (8 places)

- Position the Right side Fabric (6R) and  
repeat above step a.

b. On final adjustment of Guard, tighten all  
Mount Nuts (C) as tight as possible  
(as shown in the diagram)

c. Complete attaching Fabric to Frame using the  
Cable Ties and Webbing Straps  
(Both sides) as shown in the diagram



d. Trim and seal the ends of  
Webbing Straps  
(as shown in the diagram)

