

# *ANEMOI UNIVERSAL POLE CLAMPS*

**WATTSHOP**

The Relentless Pursuit of Speed

# WATTSHOP

The Relentless Pursuit of Speed

## Anemoi Universal Pole Clamps

Thank you for purchasing a WattShop #Anemoi universal pole clamps. We hope they serve you well in achieving maximum performance in all of your races! Please share your pictures and results on Facebook, Twitter and Instagram using #WattShop.

WATTS IN THE BOX			
No	Part Description	Quantity	Torque
1	Pole clamps (LH and RH)	1 (pair)	-
OPTIONAL			
2	Minimoi extension poles	1 (pair)	-
3	Armrests	1 (pair)	-
4	Adjustable riser (inc all hardware)	1 (pair)	-
5			-
6			-
NOTES			
No hardware is included with the pole clamps as they use through holes			

WattShop Anemoi pole clamps are universal across numerous different riser stacks and provide you with the ability to reduce your stack height by offsetting your pole clamps either inboard or outboard of your riser stacks. In doing so optimising your extension pole position in relation to your forearm.

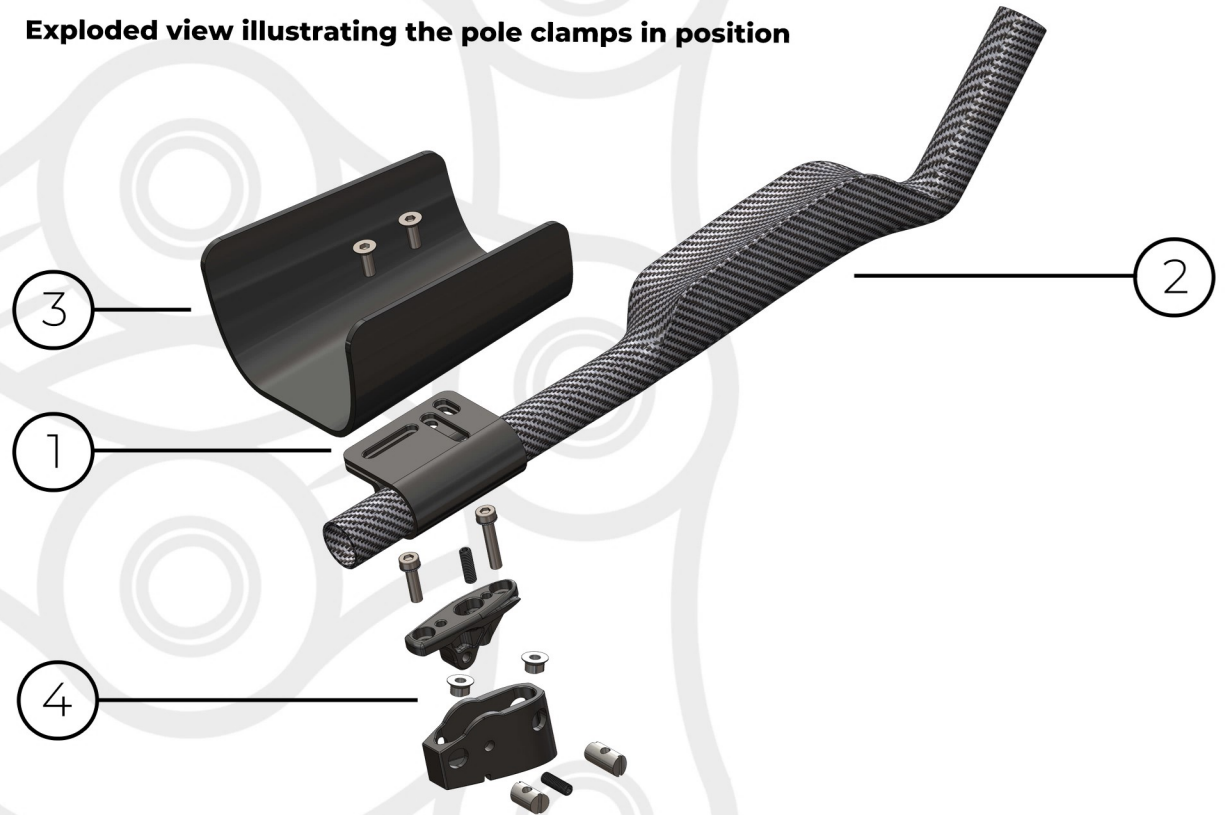
The pole clamps are handed to allow for +/- 5 degrees of toe in/out enabling you to achieve a narrower hand position. The handed poles are interchangeable between left hand and right hand riser stacks depending on whether mounted inboard or outboard of the riser stacks.

Ideally the pole clamps are paired with our adjustable angled risers but can also be used as a standalone item. Although in the latter arrangement mounting options need to be considered.

When combined with our adjustable angled risers they'll enable you to angle both your arm rests and your extension poles.

The pole clamps have been designed so a hole can be drilled in your extensions to route electronic shifting cables out of the extension pole and down your riser stack (if compatible).

Exploded view illustrating the pole clamps in position



# WATTSHOP

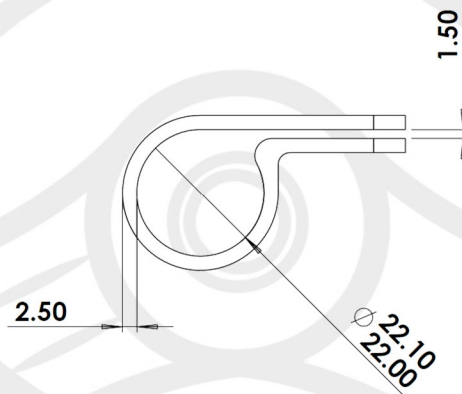
## The Relentless Pursuit of Speed

### INSTALLATION GUIDE

1. Remove your armrests and the existing OEM extension clamp blocks. Your Anemoi adjustable riser (part 4) should be mounted to the top of your riser stacks. For how to install the adjustable riser see the respective install guide.

The top of the adjustable riser should be visible ready to accept the pole clamps (part 1).

2. Make the determination as to whether you will be mounting the pole clamps inboard or outboard of the riser stack.

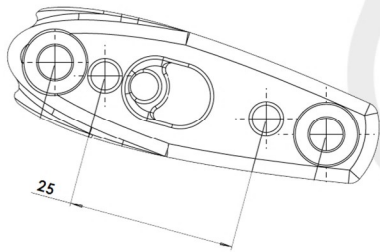


3. Position the pole clamps on top of the adjustable riser in your desired arrangement and then place your armrests (part 3) on top of the pole clamps.

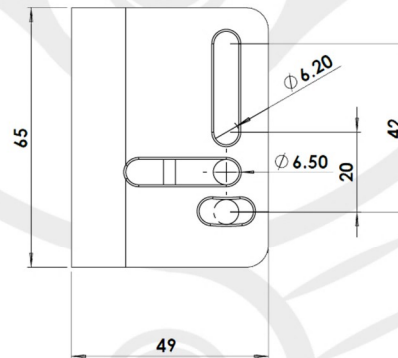
Line up the holes and using the M5x16mm countersunk head bolts (supplied with the adjustable riser) or your OEM bolts, bolt down through the armrests and pole clamps into the upper adjustable riser.

4. The upper riser utilises 25mm bolt centres so you will need to ensure your armrests offer this bolt spacing. If using WattShop armrests they can be drilled to suit.

The pole clamps use a hole and slot arrangement.



5. Insert your extension poles (part 2) and set your toe in position and **torque to 5Nm.**



Please note if you want easy access to the angle adjustment without the need to remove your armrests you can use the front and rear bolts of the adjustable riser in step 3 (42mm centres) rather than the two centrally tapped holes (25mm centres). With this set up, you would need to replace the M5x18mm and M5x25mm low cap head bolts in the adjustable riser with M5x30mm and M5x35mm countersunk head bolts. WattShop does not supply these bolts.

In this arrangement your armrests will need to accommodate a 42mm fore-aft bolt hole centre.