

*ANEMOI  
ADJUSTABLE  
RISER  
(UNIVERSAL)*

**WATTSHOP**  
The Relentless Pursuit of Speed

# WATTSHOP

The Relentless Pursuit of Speed

## Anemoi Adjustable Riser (Universal)

Thank you for purchasing our WattShop #Anemoi adjustable angled risers. We hope they serve you well in achieving maximum performance in all of your races! Please share your pictures and results on Facebook, Twitter and Instagram using #WattShop.

### WATTS IN THE BOX

No	Part Description	Quantity	Torque
1	Adjustable riser (upper)	1 (pair)	-
2	Adjustable riser (lower)	1 (pair)	-
3	Retaining nuts (front)	1 (pair)	-
4	Retaining nuts (rear)	1 (pair)	-
5	M5x16mm grub screw	4	-
6	Anti-vibration washer	4	-
7	M5x18mm low cap head bolt	2	5Nm
8	M5x25mm low cap head bolt	2	5Nm
9	Barrel nuts (M5 or M6)	4	5Nm

### OPTIONAL

10	M5x25mm cap head bolt	2	5Nm
11	M5x35mm cap head bolt	2	5Nm

### NOTES

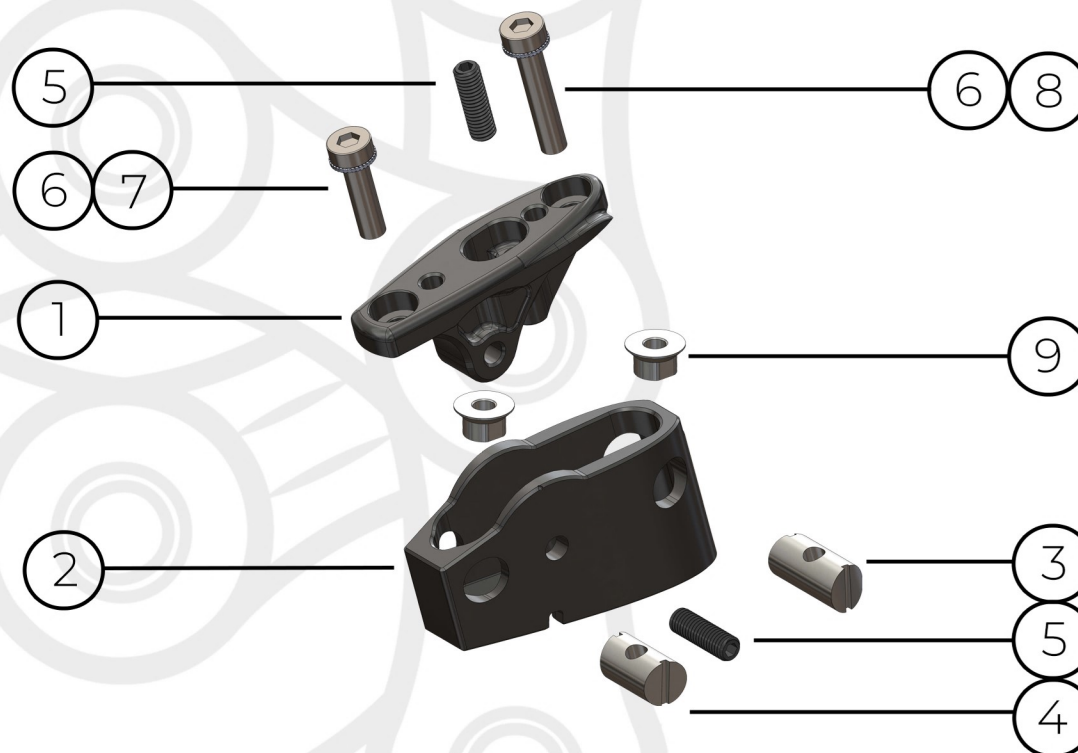
The optional bolts are only required when the riser is used in conjunction with the Anemoi extensions and must be requested separately.

### TOOLS REQUIRED

T25 Torx key	Torque wrench
M2.5 Hex key	

### NOTES

The M2.5m hex does not required any torque to be applied. Finger tight only is more than sufficient.



WattShop Anemoi adjustable risers are universal across numerous different riser stacks and provide you with the ability to micro adjust your arm rest angle from 10 degrees through to 30 degrees.

If combined with our universal or inline pole clamps they'll enable you to angle both your arm rests and your extension poles. Furthermore the adjustable riser is compatible with our Anemoi extension system if you decide to upgrade to our integrated system.

The riser offers a slot to accommodate for 15-40mm fore-aft stack centres and mounts to a flat top riser stack, either M5 or M6 and bolt down or bolt up. For bolt up options we have supplied our custom barrel nuts (you will have specified M5 or M6).

When combined with the universal pole clamps or extension system they provide the option of full internal cable routing.



# WATTSHOP

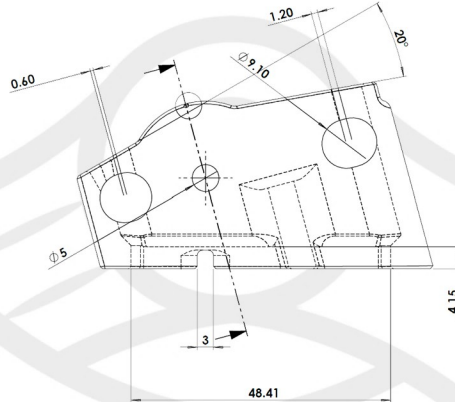
## The Relentless Pursuit of Speed

### INSTALLATION GUIDE

1. Lay all components and hardware out on a table. You may need to dismantle the adjustable riser.



2. Remove your current arm rests and any existing angled risers so the top of your extension clamp block is visible and ascertain whether your system is bolt down or bolt up. Position the lower riser (part 2) onto the top of your clamp block.



3. Bolt down using your existing bolts or bolt up from the underside of your basebar using the relevant sized barrel nuts (part 9) sat within the slot of the lower riser.



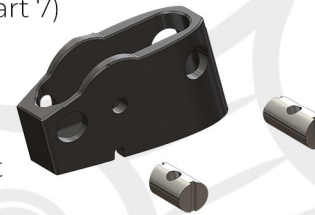
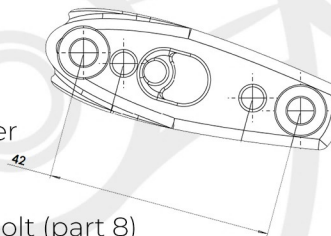
4. Position the upper riser (part 1) into the lower riser. Insert the lateral grub screw (part 5), torque to 1Nm (do not exceed).

Set the tilt to your desired angle, initially by screwing in the central grub screw (part 5) from the top of the upper riser.



5. Slide the retaining nuts (parts 3 and 4), into the lower riser. The shorter nut to the rear hole and the longer nut to the front.

Install the M5x25mm bolt (part 8) to the front hole and the M5x18mm bolt to the rear hole (part 7) with the groove in the retaining nuts aligned vertically and **torque to 5Nm**. You will need to torque the front bolt first. Ensure the anti-vibration washers (part 6) are installed.



6. Attach your arm rests to the upper riser using the your existing armrest bolts. The upper riser utilises 25mm bolt centres so you will need to ensure your arm rest offers this bolt spacing.

Please note when installing in conjunction with one of our pole clamps models you will receive additional hardware. Please refer to the relevant installation guide for this information.

If combining with our universal or inline pole clamps you will need to remove your existing extension clamp block and install the pole clamp (see the universal and inline pole clamp installation guides).

For installation with the Anemoi extension system please refer to the extension system installation guide.