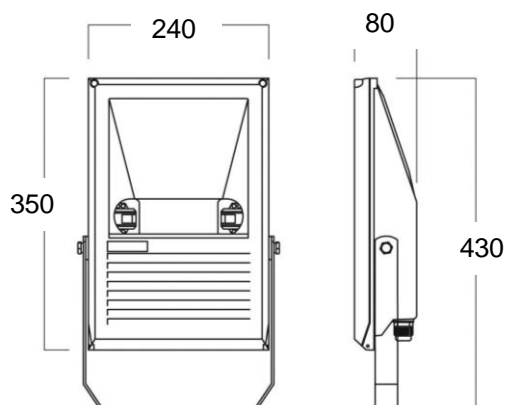


## Data Specification Sheet



### TR150W Die-Cast Floodlight Fitting

<b>ML Accessories Code</b>	TR150HQI
<b>Description</b>	IP54 150w die-cast aluminum HQI floodlight. Asymmetric reflector
<b>Base Finishes available</b>	Black
<b>Overall dimensions (mm)</b>	See above diagram
<b>Typical location</b>	Indoor or Outdoor (Not suitable for food preparation areas)
<b>Lamp Supplied</b>	Yes
<b>Voltage (V)</b>	220-230V 50Hz
<b>Wattage (W)</b>	150W Lamp
<b>Circuit Watts</b>	172W
<b>Class</b>	Class I. Must be Earthed
<b>IP</b>	IP54
<b>Photometric Testing</b>	Yes
<b>Instruction sheet</b>	Yes
<b>Origin of manufacture</b>	China
<b>Main materials:</b>	
• <b>Body</b>	Die-cast
• <b>Reflector</b>	Polished aluminum
• <b>Gear Tray</b>	Sheet steel
• <b>Screws</b>	Stainless Steel
• <b>Gasket</b>	Silicone Rubber
<b>Lamp holder cap and make</b>	Rx7 Double Ended / Kang Rong
<b>Lamp type</b>	150WHQI D/E
<b>Electrical Connections</b>	10A L.E.N. Nylon Connector, Screw Terminals
<b>Running Gear / Make</b>	Knightsbridge magnetic ballast power factor corrected with superimposed ignitor
<b>Operating Temperature</b>	Ambient not to exceed 30 <sup>0</sup>
<b>Dimmable</b>	No
<b>Cold Store Version -20<sup>0</sup>C</b>	No
<b>CE mark</b>	Yes
<b>Quality Assurance System</b>	Yes ISO 9001 QMS
<b>Batch coding details</b>	Yes
<b>Certificate of Conformity</b>	Yes
<b>Manufactured in accordance</b>	EN60598
<b>Guarantee Period</b>	1 Year