

PRODUCT FLASH

VPL-VW870ES

True 4K HDR Home Cinema Projector

SEE IS BELIEVING

Home Cinema entertainment at it's very finest.

The ultimate choice to fit in your home cinema room, the VPL-VW870ES brings movies to life with extraordinary cinematic detail, colour and contrast. This compact size home projector combines an advanced laser light source with the same Sony 4K SXR panel technology that's found in our professional digital cinema projectors.

The VPL-VW870ES features an ARC-F (All Range Crisp Focus) glass lens, ensuring the highest quality image reproduction that reaches every corner of the screen. Achieve complete clarity and focus with new Digital Focus Optimiser technology, so you'll never miss any detail.



VPL-VW870ES
2,200 Lumens
Available: Black only

ARC-F (All Range Crisp Focus) glass lens



KEY FEATURES

- Advanced 4K SXR™ Panels.
- Native 4K resolution 4096 x 2160 (8.8 million pixels). Defined by the DCI (**Digital Cinema Initiative**).
- ARC-F lens – 18pcs all glass lens.
- Digital Focus Optimizer – optimises the projected image to every corner of the screen.
- Dual Contrast Control Engine (laser light control & advance Iris) for outstanding black levels and contrast.
- Dynamic contrast ∞ :1
- New Gen. 4K Processor.
- 4K Reality Creation.
- 4K Motionflow - adding frames to reduce blur and maintain brightness in fast-moving scenes.
- 18gbps/12bit compatible.
- 4K60p 10bit signal processing - input lag reduction mode for 4K gaming.
- 6,000 hours long lasting lamp.
- HDR10 & Hybrid Log-Gamma (HLG) compatible.
- Picture Position Memory – let's you switch between movie and TV aspect ratios, including Cinemascope and 16:9.
- Built-in auto calibration.
- HDMI inputs compatible with HDCP2.2.
- Anamorphic lens compatibility for 4K signals (V-stretch for 4K).
- TRILUMIOS™ Display.
- Built-in RF 3D transmitter for use with optional 3D glasses.
- IMAX Enhanced Certified.

Model SRP incl gst	VPL-VW870ES = \$39,999.00
Availability	Now

PRODUCT FLASH

SPECIFICATIONS

Display System		4K SXRD panel, projection system
Display device	Size of effective display area	0.74" x 3
	Number of pixels	26,542,080 (4096 x 2160 x 3) pixels
Projection lens	Focus	Powered
	Zoom	Powered (Approx. x 2.1)
	Throw ratio	VPLL-Z7013 (Inc lens) - 1.27:1 to 2.73:1 VPLL-Z7008 (Optional lens) - 0.80:1 to 1.02:1
	Lens shift	Powered Vertical: +/- 80% Horizontal: +/- 31% VPLL-Z7008 (Optional lens) - Vertical: +/- 50% Horizontal: +/- 18%
Light source		Laser diode
Screen size		60" to 300" (1,524 mm to 7,620 mm)
Light output		2200 lm
Color light output		2200 lm
Dynamic contrast		∞:1 with Dual Contrast Engine
Displayable scanning frequency	Horizontal	19 kHz to 72 kHz
	Vertical	48 Hz to 92 Hz
Display resolution*1	Computer signal input	Maximum display resolution: 1920 x 1080 dots (HDMI Input only)
	Video signal input	480/60p, 576/50p, 720/60p, 720/50p, 1080/60i, 1080/50i, 1080/60p, 1080/50p, 1080/24p, 3840 x 2160/24p, 3840 x 2160/25p, 3840 x 2160/30p, 3840 x 2160/50p, 3840 x 2160/60p, 4096 x 2160/24p, 4096 x 2160/25p, 4096 x 2160/30p, 4096 x 2160/50p, 4096 x 2160/60p
OSD language		18-languages (English, Dutch, French, Italian, German, Spanish, Portuguese, Turkish, Polish, Russian, Swedish, Norwegian, Japanese, Simplified Chinese, Traditional Chinese, Korean, Thai, Arabic)
INPUT OUTPUT (Computer / Video / Control)	HDMI1 / HDMI2*2	Digital (RGB/Y Pb/Cb Pr/Cr)
	Trigger1 / Trigger2	Minijack, DC 12 V Max. 100 mA
	Remote	RS-232C, D-sub 9-pin (male)
	LAN	RJ45, 10Base-T/100BASE-TX
	IR IN	Mini Jack
	USB	DC 5V, Max. 500 mA
Acoustic noise		24 dB*3
Operating temperature / Operating humidity		5°C to 35°C (41°F to 95°F) / 35% to 85% (no condensation)
Storage temperature / Storage humidity		-20°C to +60°C (-4°F to +140°F) / 10% to 90% (no condensation)
Power requirements		AC 100V-240V, 4.9 A to 2.2 A, 50/60Hz
Power consumption		490 W
	Standby	0.4 W (when "Remote Start" is set to "Off")
	Networked Standby	1.0 W (LAN) (when "Remote Start" is set to "On") When a LAN terminal is not connected, it becomes a low power consumption mode (0.5 W).
Dimensions (W x H x D) (without protrusions)		560 x 230 x 510.5 mm
Mass		Approx. 22 kg / 44 lb
Supplied accessories		RM-PJ24 Remote Commander (1), Size AA (R6) Manganese Batteries (2), Lens Cap (1), AC Power Cord (1), Operating Instructions (CD-R) (1), Quick Reference Manual (1), Safety Regulations (1)

*1 Displayed image may be converted for some input signals.

*2 Both HDMI inputs are compatible with HDCP2.2

*3 This value is approximate. Depends on the projector setting condition and usage environment.

PRODUCT FLASH

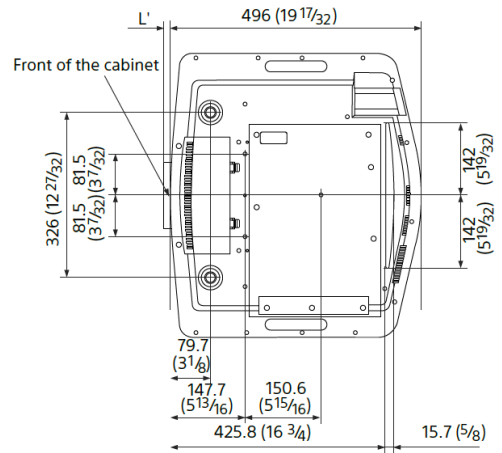
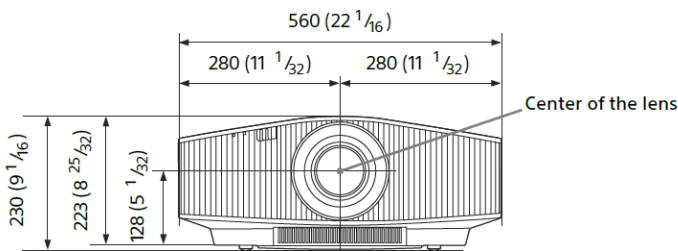
What is IMAX Enhanced?

IMAX Enhanced is a new licensing and certification home entertainment program. To qualify and carry the IMAX Enhanced logo, the highest-end TVs, projectors, sound bars, and AV receivers must meet stringent performance standards established by IMAX, DTS and Hollywood's leading colourists in order to create a consistent and higher bar for image and sound performance on premium devices. IMAX digitally re-mastered content for the home environment is created to provide the sharpest 4K HDR images and powerful sound as the filmmaker intended.

<https://www.imaxenhanced.com/>

Units: mm (inches)

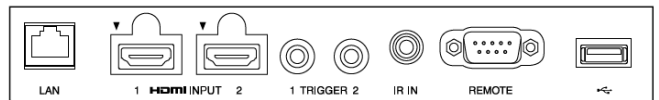
DIMENSIONS



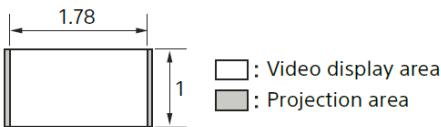
PROJECTION LENS

	VPLL-Z7013 (Bundled)	VPLL-Z7008 (Optional)
Dimensions (L')	14.5 mm	Tele 43.4 mm / Wide 69.5 mm
Throw ratio	1.27:1 to 2.73:1	1.80:1 to 1.02:1
Lens shift	Vertical: +/- 80%	Vertical: +/- 50%
	Horizontal: +/- 31%	Horizontal: +/- 18%

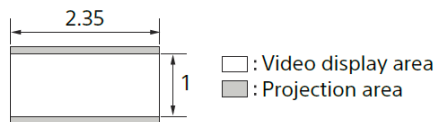
CONNECTOR PANEL



PROJECTION DISTANCE



1.78:1 (16:9)		
Projection image size		Projection distance L
Diagonal	Width × Height	
80" (2.03 m)	1.77 × 1.00 (70 × 39)	2.44 - 5.01 (96 - 197)
100" (2.54 m)	2.21 × 1.25 (87 × 49)	3.05 - 6.28 (121 - 247)
120" (3.05 m)	2.66 × 1.49 (105 × 59)	3.67 - 7.55 (145 - 297)
150" (3.81 m)	3.32 × 1.87 (131 × 74)	4.60 - 9.44 (181 - 371)
200" (5.08 m)	4.43 × 2.49 (174 × 98)	6.15 - 12.61 (242 - 496)



2.35:1		
Projection image size		Projection distance L
Diagonal	Width × Height	
80" (2.03 m)	1.87 × 0.80 (74 × 31)	2.41 - 4.96 (95 - 195)
100" (2.54 m)	2.34 × 0.99 (92 × 39)	3.02 - 6.22 (119 - 244)
120" (3.05 m)	2.80 × 1.19 (110 × 47)	3.64 - 7.47 (143 - 294)
150" (3.81 m)	3.51 × 1.49 (138 × 59)	4.55 - 9.35 (180 - 368)
200" (5.08 m)	4.67 × 1.99 (184 × 78)	6.08 - 12.48 (240 - 491)