

PRODUCT FLASH

VPL-XW5000ES

True 4K HDR Home Cinema Projectors

Bring home entertainment with a native 4K, high-value laser projector



VPL-XW5000ES
2,000 Lumens

Available: Black | White



The VPL-XW5000ES is a 2,000lm native 4K HDR laser projector delivering higher contrast and resolution with a 30% reduction in power consumption per lumen, as well as object-based HDR remastering for powerful real-time picture processing.

Immerse yourself in an incredibly lifelike picture with native 4K that offers 8.3 million pixels (3,840 x 2,160). With an 0.61-inch SXR D™ (Silicon X-tal Reflective Display) panel, you'll enjoy high brightness, inky blacks, vibrant colours, rich tones and textures, plus clear cinematic motion and image smoothness.

Powered by X1™ Ultimate for projector.

KEY FEATURES

- X1™ Ultimate processor for projector.
- World's smallest Native 4K SXR D 0.61-inch panel.
- Native 4K resolution 3,840 x 2,160 (8.3 million pixels).
- High brightness of 2,000 lumens.
- Wide dynamic range optics.
- Dynamic HDR Enhancer brings a wider contrast range scene by scene for striking and realistic picture quality.
- Super Resolution Reality Creation for upscaling and sharpening images without sharpening picture noise¹.
- Input lag reduction ensures faster response time for gamers.

Model SRP incl gst	VPL-XW5000ES = \$10,499
Availability	July Black White

¹ Upscaled, simulated and enhanced 4K images will vary based on source content.

PRODUCT FLASH

SPECIFICATIONS

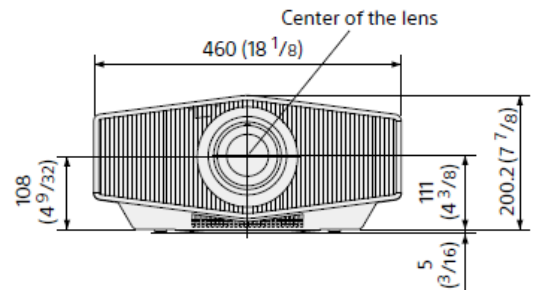
		VPL-XW5000ES
Display system		4K SXRD panel, projection system
Display device	Size of effective display area	0.61" x 3
	Number of pixels	24,883,200 (3840 x 2160 x 3) pixels
Projection lens	Focus	Manual
	Zoom	Manual (Approx. x 1.60)
	Lens shift	Manual, Vertical +/- 71 %, Horizontal +/- 25 %
	Throw ratio*1	1.38:1 to 2.21:1
Light source		Laser diode
Recommended lamp replacement time*2		-
Light output		2,000 lm
Dynamic contrast		∞ : 1
Accepted digital signals		720 x 576/50p, 720 x 480/60p, 1280 x 720/50p, 1280 x 720/60p, 1920 x 1080/50i, 1920 x 1080/60i, 1920 x 1080/24p, 1920 x 1080/50p, 1920 x 1080/60p, 1920 x 1080/120p, 3840 x 2160/24p, 3840 x 2160/25p, 3840 x 2160/30p, 3840 x 2160/50p, 3840 x 2160/60p, 4096 x 2160/24p, 4096 x 2160/25p, 4096 x 2160/30p, 4096 x 2160/50p, 4096 x 2160/60p
Input Output (Computer / Video / Control)	HDMI	x 2 (HDCP2.3)
	Display Port	-
	Trigger	x 1 (Mini jack, DC 12 V, Max. 100 mA)
	RS-232C	x 1 (D-sub 9-pin (male))
	LAN	x 1 (RJ-45, 10BASE-T/100BASE-TX)
	IR IN / OUT	IN: x 1 (Mini jack)
	3D SYNC OUT	-
	USB	x 1 (Type A, DC 5 V, Max. 500 mA)
Picture processor		X1™ Ultimate for projector
Object-based HDR remaster		Yes
Dynamic HDR Enhancer		Yes
Object-based Super Resolution		Yes
Dual database processing		Yes
Digital Contrast Optimizer		Yes
Digital Focus Optimizer		Yes
Dynamic contrast control		Dynamic laser control
Motionflow		Yes
HDR Format		HDR10/HLG
3D		-
Picture position memory		-
Input lag reduction		Yes (4K/2K)
Acoustic noise*3		24 dB
Power requirements		AC 100-240 V, 50/60 Hz
Power consumption	Standby	0.3 W (when "Remote Start" is set to "Off")
	Networked Standby	0.5 W (LAN) (when "Remote Start" is set to "On") When a LAN terminal is not connected, it becomes a low power consumption mode (0.5 W)
Dimensions (Without Protrusions)		W 460 x H 200 x D 472 mm (W 18 1/8 x H 7 7/8 x D 18 19/32 in)
Mass		Approx. 13 kg / 28 lb
Supplied accessories		Remote Control (RM-PJ28), Size AA (R6) manganese batteries (2), AC Power Cord (1), Lens Cap (1), Setup Guide (1)
Optional accessories		-

*1 Display size : 16:9 *2 The figures are expected maintenance time and not guaranteed. They will depend on the environment or how the projector is used. *3 Depends on the projector setting condition and usage environment.

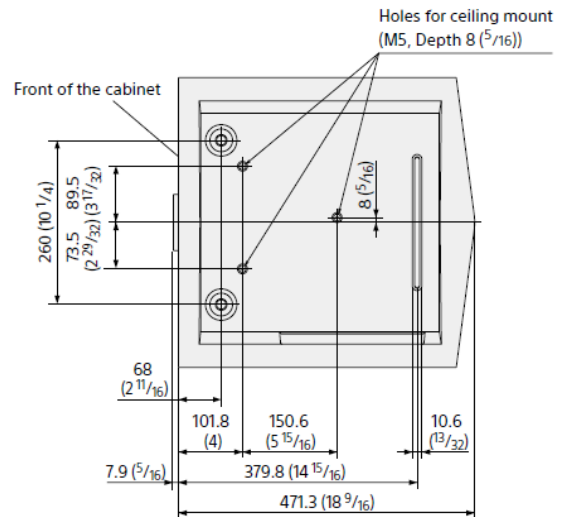
DIMENSIONS

Units: mm (inches)

FRONT



BOTTOM



CONNECTOR PANEL

