

Concentrator Filters

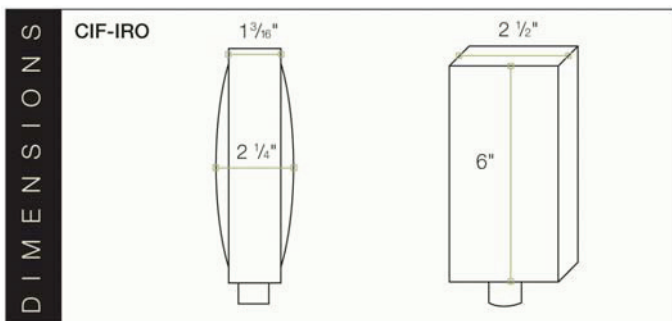
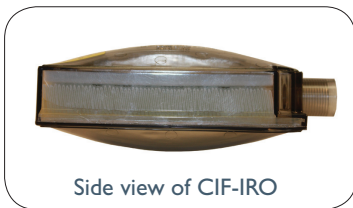
Intake Bacteria Filter

Our filters meet or exceed OEM performance standards, but at a significantly lower price. This filter is designed comparably to the OEM filter and delivers the same or better purity.

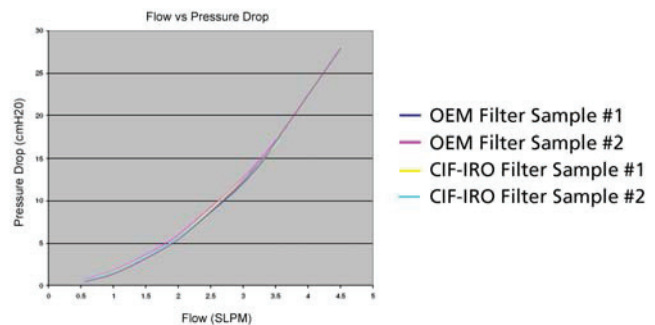


Product Specifications

- Priced up to 35% lower than OEM filters
- For use with the Invacare Mobilaire (all models) and Platinum concentrators
- Priced up to 35% lower than comparable OEM filter (Invacare# 1131249)
- Construction of body: 100% Styrene Butadien Copolymer
- Construction of filter: synthetic glass non-woven filter media
- Port size: 22 mm outlet with 3/8-18 internal threads
- Clear with smoke tint in color
- Meets or exceeds all OEM specifications including Purity Standards and Back Pressure Performance Testing
- Bacteria Efficiency Test: 99.9720%
- Virus Efficiency Test: 99.99%



Flow Rate Vs Back Pressure Curves for Tested Filters



Item #	Description	Unit	Qty
CIF-IRO	Intake Bacteria Filter, Invacare Alternative	Invacare Mobilaire (All Models), and Platinum 10 LPM, Home Fill and Perfect O2	Each



To Order:
 (800) 3-ROSCOE
 fax: (440) 572-4261
 roscoemedical.com