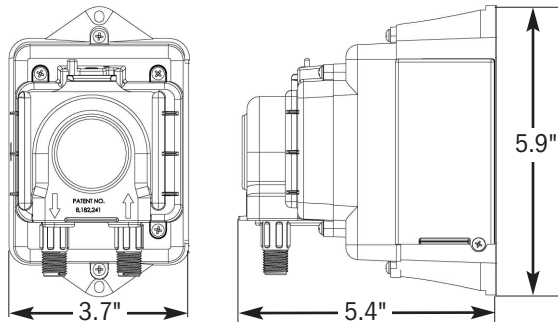


ECON T SERIES SPECIFICATIONS

STENNER PUMPS®



Shipping Weight 4 lbs (1.7 kg)



SPECIFICATIONS

Flow Rate Output Control 24-hr programmable clock; 7 day, 24 event timer
Reproducibility ±5%
Maximum Working Pressure 25 psi (1.7 bar), 80 psi (5.5)
Maximum Operating Temperature 104°F (40°C)
Maximum Suction Lift 25 ft (7.6 m) vertical lift, based on water
Motor Type 24VDC, brushed
Shaft RPM (average maximum) 9, 18 or 40
Duty Cycle Continuous
Motor Voltage 120V 60Hz (0.25A), 230V 60Hz (0.17A),
230V 50Hz (10W), 24VDC (0.5A)
Power Cord Type 120V 60Hz, 230V 60Hz: SJTOW, 230V 50Hz: H05RN-F,
24VDC pigtail
Power Cord Plug End 120V 60Hz NEMA 5-15P,
230V 60Hz NEMA 6-15P, 230V 50Hz CEE7/7, 24VDC pigtail
Power Cord Length 6 ft (1.8 m), 10 ft (3.05 m) or
24VDC Pigtail 1 ft (30.5 cm)
Classification Indoor/Outdoor

MATERIALS OF CONSTRUCTION

All Housings Polycarbonate
Pump Tube & Check Valve Duckbill Santoprene™ (FDA approved)
Pump Head Rollers Polyethylene
Suction/Discharge Tubing, Ferrules Polyethylene (FDA approved)
Tube and Injection Fittings PVC or Polypropylene (both NSF listed)
Connecting Nuts PVC (NSF listed)
Suction Line Strainer and Cap
PVC or Polypropylene (both NSF listed); ceramic weight
All Fasteners Stainless steel

ACCESSORIES

- 3 Connecting nuts 1/4"
- 3 Ferrules 1/4"
- 1 Duckbill check valve 80 psi (5.5 bar) max.
OR 1 Injection fitting 25 psi (1.7 bar) max.
- 1 Weighted suction line strainer 1/4"
- 1 20' Roll suction/discharge tubing 1/4" white or black
OR 6 mm White *Europe*
- 1 Additional pump tube
- 1 Manual

* Santoprene® is a registered trademark of Exxon Mobil Corporation.

FEATURES

- Programmable timer 24 hr/7 day, 24 event timer
- Enclosed housing
- Self-priming, does not lose prime or vapor lock
- Pumps off-gassing solutions and can run dry
- 3-point roller design assists with anti-siphon
- Tube replacement without tools
- Output reproducibility
- Tube lubrication not required
- Foot valve not required to prime
- Output volume not affected by back pressure
- Tubes and pump heads interchangeable between models
- Installation accessories included

FLOW RATE OUTPUT CHART

25 psi (1.7 bar) maximum

Item Number Prefix	Pump Tube	Roller Assembly	Gallons per Day	Gallons per Hour	Ounces per Hour	Ounces per Minute	Liters per Day	Liters per Hour	Milliliters per Hour	Milliliters per Minute
E10T1A	A	White	2.5	0.10	13.2	0.22	9.5	0.39	396.0	6.60
E10T2A	A	White	5.0	0.21	26.4	0.44	18.9	0.79	786.0	13.10
E10T2B	B	White	8.5	0.35	45.6	0.76	32.2	1.34	1338.0	22.30
E10T2C	C	White	15.0	0.63	79.8	1.33	56.8	2.37	2364.0	39.40

Approximate Maximum Output @ 50/60Hz

80 psi (5.5 bar) maximum

Item Number Prefix	Pump Tube	Roller Assembly	Gallons per Day	Gallons per Hour	Ounces per Hour	Ounces per Minute	Liters per Day	Liters per Hour	Milliliters per Hour	Milliliters per Minute
E10T1F	F	White	0.6	0.02	3.0	0.05	2.2	0.09	90.0	1.50
E10T2F	F	White	1.3	0.05	6.6	0.11	4.8	0.20	198.0	3.30
E20T4F	F	White	3.4	0.14	18.0	0.30	13.1	0.54	544.8	9.08
E20T4G	G	Black	12.3	0.51	65.4	1.09	46.5	1.94	1937.4	32.29
E20T4H	H	Black	21.7	0.90	115.2	1.92	82.0	3.41	3416.4	56.94

Approximate Maximum Output @ 50/60Hz



NOTICE: The information within this chart is solely intended for use as a guide. The output data is an approximation based on pumping water under a controlled testing environment. Many variables can affect the output of the pump. Stenner Pump Company recommends that all metering pumps undergo field calibration by means of analytical testing to confirm their outputs.