

PCM - SPECIFICATIONS

STENNER PUMPS®



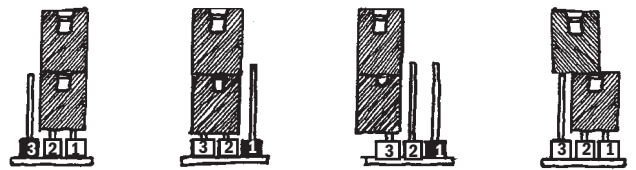
The Pump Control Module (PCM) is a time adjusted controller that powers the pump. A pulsing flow meter sends a signal to the PCM which actuates the pump to deliver the desired dose based upon water volume. The PCM has a locking feature on the adjustment knob.

TIME RANGE IN SECONDS

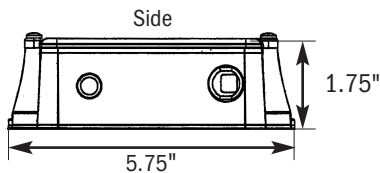
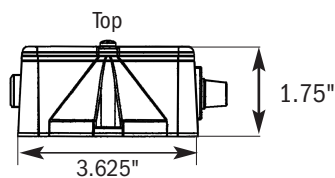
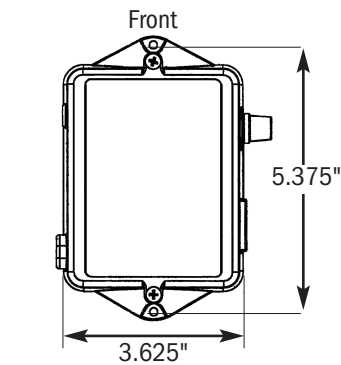
- PCM1: 0.1-1.0
- PCM5: 0.5-5.0
- PCM10: 1.0-10.0
- PCM20: 2.0-20.0

NOTE: The time range can be changed by adjusting the internal jumper setting as indicated above.

INTERCHANGEABLE TIME RANGE SETTINGS



- 0.1-1 second (Jumper 2 & 1)
- 0.5-5 seconds (Jumper 3 & 2)
- 1-10 seconds (Jumper 3)
- 2-20 seconds (Jumper 3 & 2, 2 & 1)



SHIPPING WEIGHT 2 lbs (0.9 kg)

Timer Microcontroller with triac output

Turndown Ratio 10:1

Input Signal Non-voltage dry contact, water meter

Reset Time Immediate

Minimum Signal Durations 10 milliseconds

Input Electrical 120V 60Hz

No Load Current 0.45mA AC maximum

Output Electrical Maximum device load, 1.8 amp at 120V

Housing Material Polycarbonate plastic

BOX Dimensions L x W x H 8 x 8 x 6 in. (20.3 x 20.3 x 15.2 cm)