

MORE EFFICIENT & MORE IMPACTFUL  
**INTRODUCING THE  
TALL LINEAR VECTOR**

**TALL LINEAR DIRECT VENT GAS FIREPLACE**



[napoleon.com](http://napoleon.com)

# TALL VECTOR

## PREMIUM LINEAR GAS FIREPLACES

TLV50 | TLV62 | TLV74

### LINE LOGIC SYNERGY

Synergy within standard, see-through and tall series makes it easier for customers to choose the right option for them

### MORE EFFICIENT

Increased flame height with same BTUs = a gas fireplace with greater efficiencies

### OUTSTANDING DESIGN

Features a stunning frameless design with the included 5/16" flange



### MORE DESIGN FLEXIBILITY

Optional heat management means superior reduced clearances to combustibles

### PERFECT FOR COMMERCIAL SPACES

Ideal for commercial design projects such as restaurants, hotels, office lobbies, and others!

### PREMIUM MEDIA OPTIONS

Brand new trend-forward media options: Woodland (mix of shale, rock, vermiculite, glass, charcoal), plus new optional premium log kits

### EASIEST INSTALLATIONS

Experience a hassle-free installation compared to competitors, without the need for power venting

## AN EFFICIENT LINEAR GAS FIREPLACE

With the increased flame height and a design that has maintained the same BTUs as the Vector, the new Tall Vector is a gas fireplace that is more sustainably-minded. As the world continues to evolve towards more environmentally-friendly solutions, Napoleon has made a commitment to bring the market more sustainable products and practices. The Tall Vector has been built with this commitment top of mind.







## FEATURES / OPTIONS / ACCESSORIES

- 8.25" added to the height for an expansive viewing area and tall flames
- Top lights for an illuminated effect
- Optional heat management (DHC & DHM)
- NEW trend-forward Woodland Log Kit (shale, rocks, logs, glass and vermiculite) as an option



### EXTENSIVE SELECTION OF MEDIA KITS

**RECOMMENDED:** CHOOSE LOGS PLUS GLASS OR MEDIA ENHANCEMENT

**COMING SOON**



**CHOOSE ONE:** OAK LOGS, DRIFTWOOD LOGS, BIRCH LOGS, WROUGHT IRON GLOBES, NICKEL STIX



**CHOOSE ONE:** WOODLAND, MINERAL ROCK, GLASS BEADS, GLASS EMBERS



OPTIONAL 4PC. FINISHING TRIM



MIRRO-FLAME™ PORCELAIN REFLECTIVE RADIANT PANELS INCLUDED



LED EMBER BED WITH COUNTLESS COLORS TO CHOOSE FROM (WITH EFIRE APP)



REMOTE CONTROL INCLUDED

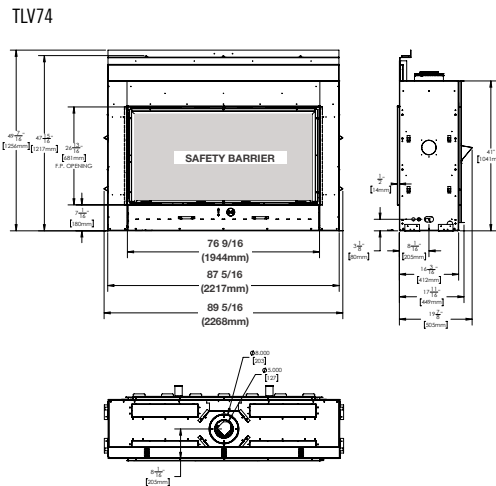
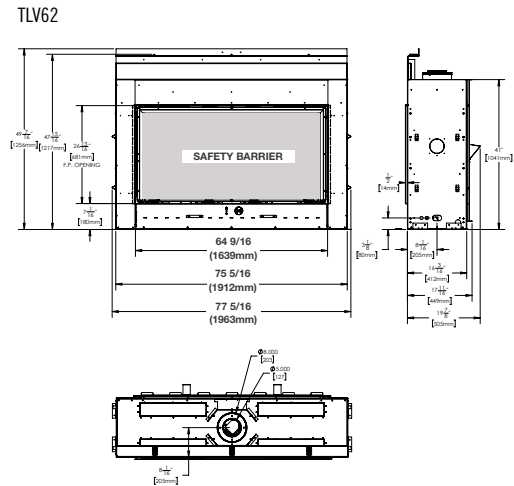
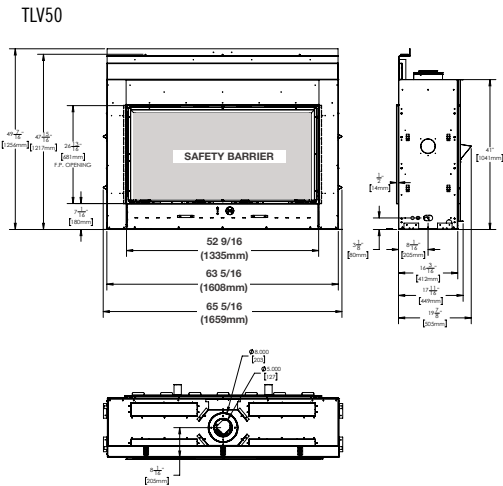
## eFIRE CONNECTION

The Tall Vector Series offers compatibility with Napoleon eFIRE app to control settings from a mobile device. **Why is this important?** Today's consumers are looking a more connected, convenient and intuitive experience within their home. This app provides them a simple way to control every setting of their fireplace right from their mobile device, including choosing any color imaginable for the ember bed to suit their space or mood!

# Specifications

Model	BTU	Width		Height		Depth		Glass
		Actual	Framing	Actual	Framing	Actual	Framing	
TLV50	36,000	65 5/16"	65 13/16"	41"	31 15/16"	19 7/8"	20 1/8"	52 9/16" X 26 13/16"
TLV62	44,000	77 5/16"	77 13/16"	41"	31 15/16"	19 7/8"	20 1/8"	64 9/16" X 26 13/16"
TLV74	48,000	89 5/16"	89 13/16"	41"	31 15/16"	19 7/8"	20 1/8"	76 9/16" X 26 13/16"

Certified under Canadian and American National Standards  
 Figures may vary with individual conditions such as floor plan layout, insulation value/heat loss of the house and geographical location.



\*Finishing flange depth (The finishing flange defines the perimeter of the fireplace opening. Framing or finishing materials must NEVER encroach inside the finishing flange)



Authorized Dealer

24 Napoleon Road, Barrie, Ontario, Canada L4M 0G8  
 103 Miller Drive, Crittenden, Kentucky, USA 41030  
 7200 Trans Canada Highway, Montreal, Quebec, Canada H4T 1A3

Tel: 1-866-820-8686  
 napoleon.com



Consult your owner's manual for complete installation instructions and proper clearances to combustible materials. Check all local and national building codes and gas regulations. All specifications are subject to change without prior notice due to on-going product improvements. Products may not be exactly as shown. Napoleon is a registered trademark of Wolf Steel Group Inc.

Printed in Canada  
 01/2023