



Installation and Operation Instructions

VRE4200 Series Indoor and Outdoor Vent-Free Firebox

P/N 900991-00 REV. A 06/2019



Report No. F14-168

Models

VRE4236WS

VRE4242WS

VRE4236WH

VRE4242WH

Approved for use with IHP Giant Timber and Mossy Oak log sets listed on Page 13

NATIONAL
FIREPLACE
INSTITUTE



CERTIFIED
www.nficertified.org

We recommend that our gas hearth products be installed and serviced by professionals who are certified in the U.S. by the National Fireplace Institute® (NFI) as NFI Gas Specialists.

INSTALLER: Leave this manual with the appliance.

CONSUMER: Retain this manual for future reference.

⚠ WARNING: Carefully review the instructions supplied with the decorative type unvented room heater for the minimum fireplace size requirement.

DO NOT INSTALL THE APPLIANCE IN THIS FIREBOX, UNLESS THIS FIREBOX MEETS THE MINIMUM DIMENSIONS REQUIRED FOR THE INSTALLATION.

This firebox has been tested and approved under ANSI Z21.91 for use with any gas log approved to ANSI Z21.11.2 for indoor applications and IHP MNF OD log sets listed to ANSI Z21.97 for outdoor applications
See *Page 13*.

⚠ WARNING: FOR USE ONLY WITH A LISTED, GAS-FIRED UNVENTED DECORATIVE ROOM HEATER NOT TO EXCEED 40,000 BTU/H.

DO NOT BUILD A WOOD FIRE.

⚠ WARNING:

FIRE OR EXPLOSION HAZARD

Failure to follow safety warnings exactly could result in serious injury, death, or property damage.

- Do not store or use gasoline or other flammable vapors and liquids in the vicinity of this or any other appliance.
- **WHAT TO DO IF YOU SMELL GAS**
 - Do not try to light any appliance.
 - Do not touch any electrical switch; do not use any phone in your building.
 - Leave the building immediately.
 - Immediately call your gas supplier from a neighbor's phone. Follow the gas supplier's instructions.
 - If you cannot reach your gas supplier, call the fire department.
- Installation and service must be performed by a qualified installer, service agency or the gas supplier.

Thank you for your purchase. We appreciate your business!

Please carefully read and follow all instructions in this manual. **Pay special attention to all warnings and safety information.**

Following these safety, care, and operation instructions will help ensure many years of dependable and enjoyable service from your fireplace.

Please read and understand these instructions before installing or operating.

TABLE OF CONTENTS

Safety.....	2
Local Codes	3
Product Features.....	3
Requirements for the Commonwealth of Massachusetts.....	3
Locating Firebox	3
Product Specifications	4
Air for Combustion and Ventilation	5
Installation	7
Replacement Parts.....	12
Technical Service	12
Accessories.....	13
Parts	14
Warranty	17

SAFETY

Installation and repair should be done by a qualified service person. The appliance should be inspected before use and at least annually by a professional service person. More frequent cleaning may be required due to excessive lint from carpeting, bedding material, etc. It is imperative that control compartments, burners, and circulating air passageways of the appliance be kept clean.

⚠ WARNING: Improper installation, adjustment, alteration, service or maintenance can cause injury or property damage. Refer to this manual for correct installation and operational procedures. For assistance or additional information consult a qualified installer, service agency or the gas supplier.

This appliance may be installed in an aftermarket, * permanently located, manufactured (mobile) home, where not prohibited by local codes.

* Aftermarket: Completion of sale, not for purpose of resale, from the manufacturer

⚠ WARNING: This product can expose you to chemicals including Carbon Black, which is known to the State of California to cause cancer, and Carbon Monoxide, which is known to the State of California to cause birth defects or other reproductive harm. For more information go to www.P65Warnings.ca.gov

IMPORTANT: Read this owner's manual carefully and completely before trying to assemble, operate or service this heater. Improper use of this fireplace can cause serious injury or death from burns, fire, explosion, electrical shock and carbon monoxide poisoning.

⚠ WARNING: Any change to this firebox or its controls can be dangerous.

⚠ WARNING: Do not allow fans to blow directly into the firebox. Avoid any drafts that alter burner flame patterns. Ceiling fans can create drafts that alter burner flame patterns. Altered burner patterns can cause sooting.

⚠ WARNING: Do not use a blower insert, heat exchanger insert or other accessory not approved for use with this firebox.

Firebox front and screen become very hot when running heater. Children and adults should be alerted to the hazard of high surface temperature and should stay away to avoid burns or clothing ignition. Firebox will remain hot for a time after shutdown. Allow surface to cool before touching.

Do not place clothing or other flammable material on or near the appliance. Never place any objects in the firebox or on logs.

Young children should be carefully supervised when they are in the same room with firebox.

You must operate this fireplace with the provided fireplace screen, hood if provided, in place. Make sure these parts are in place and screens are closed before running firebox. The supplied hood may not be replaced with a hood which may be provided with a log heater.

SAFETY *Continued*

Keep the fireplace area clear and free from combustible materials, gasoline and other flammable vapors and liquids.

⚠ WARNING: Vent-free products are prohibited for bedroom and bathroom installation in the Commonwealth of Massachusetts.

Solid-fuels shall not be burned in a fireplace in which an unvented room heater is installed.

Young children should be carefully supervised when they are in the same room as the appliance. Toddlers, young children and others may be susceptible to accidental burns. A physical barrier is recommended if there are at-risk individuals in the house. To restrict access to a fireplace or stove, install an adjustable safety gate to keep toddlers, young children and other at-risk individuals out of the room and away from hot surfaces.

1. **Do not use this firebox as a wood-burning fireplace.** Use only decorative unvented room heaters (log sets).
2. Do not add extra logs or ornaments such as pine cones, vermiculite or rock wool. Using these added items can cause sooting.
3. Use only provided hood or appropriate hood accessory. See Accessories on **Page 13**.
4. Vent-free gas log heaters installed in these fireboxes require fresh air ventilation to run properly. See Air for Combustion and Ventilation, **Page 5**.
5. Do not run heater in firebox
 - where flammable liquids or vapors are used or stored
 - under dusty conditions
6. Do not use heater in this firebox to cook food or burn paper or other objects.
7. Turn installed heater off and let cool before servicing firebox. Only a qualified service person should service and repair firebox.
8. Do not use the firebox if it has been under water due to the shock hazard that could result with the blower accessory (if installed) in place.

LOCAL CODES

Install and use firebox with care. Follow all local codes. In the absence of local codes, use the latest edition of The National Fuel Gas Code ANSI Z223.1/NFPA 54*. Firebox must be electrically grounded in accordance with the National Electrical Code, ANSI/NFPA70 (latest edition).

*Available from:

American National Standards Institute, Inc.
25 West 43rd Street, 4th floor
New York, NY 10036
National Fire Protection Association, Inc.
1 Batterymarch Park
Quincy, MA 02169-7471

PRODUCT FEATURES

OPERATION

This firebox has been tested and approved under ANSI Z21.91 for use with any gas log approved to ANSI Z21.11.2 for indoor applications and IHP MNF OD log sets listed to ANSI Z21.97 for outdoor applications See **Page 13**. It requires no outside venting or chimney making installation easy and inexpensive.

REFRACTORY BRICK LINER

Your firebox may feature a concrete refractory brick liner. As with all concrete liners, this liner may develop slight cracks when exposed to heat. These cracks will not affect performance of fireplace or vent-free gas logs.

OUTSIDE AIR KIT ACCESSORY

An optional AK4 air kit provides additional outdoor air to improve burner efficiency and reduce build-up of condensation in the living space. Follow instructions included with air kit.

COMMONWEALTH OF MASSACHUSETTS REQUIREMENTS

These appliances are approved for installation in the US state of Massachusetts if the following additional requirements are met:

- Un-vented Room Heaters shall be installed in accordance with 527 CMR 30.
- Installation and repair must be done by a plumber or gas fitter licensed in the Commonwealth of Massachusetts.
- The flexible gas line connector used shall not exceed 36 inches (92 centimeters) in length.
- The individual manual shut-off must be a T-handle type valve.
- Unvented appliances may NOT be installed in bedrooms or bathrooms.
- A working smoke detector must be installed in the area where vent-free appliances are installed.

Seller of unvented propane or natural gas-fired supplemental room heaters shall provide to each purchaser a copy of 527 CMR 30 upon sale of the unit.

LOCATING FIREBOX

PLANNING

Plan where you will install the firebox. This will save time and money later when you install the firebox. Before installation, consider the following:

1. Where firebox will be located: Allow for wall and ceiling clearances (*see Installation Clearances, Page 7*).
2. Everything needed to complete fireplace installation.
3. These models CANNOT be installed in a bedroom unless maximum Btu rating of installed vent-free log set is less than 10,000 Btu/hr.
4. Proper air for combustion and ventilation (**Page 5**).

PRODUCT SPECIFICATIONS

36" AND 42" MODELS

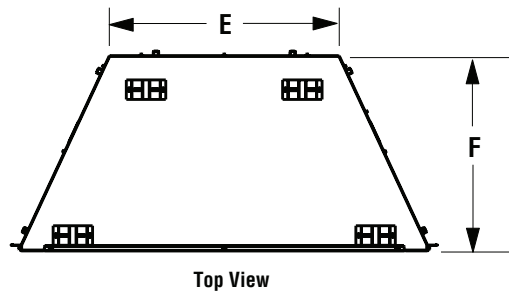
NOTE: If only one dimension is shown, dimension is the same for both 36" and 42" models.

Dimensions - Inches (millimeters)														
Model No.	A	B	C	D	E	F	G	H	J	K	L	M	N	P
VRE4236 Series	36 (914)	28 (711)	41-3/4 (1061)	41-1/4 (1048)	23-1/2 (597)	20 (508)	3 (76)	8-3/8 (213)	15-7/8 (403)	7-1/2 (190)	12 (305)	1-3/8 (35)	5-1/2 (140)	34-3/8 (873)
VRE4242 Series	42 (1067)	28 (711)	47-3/4 (1213)	41-1/4 (1048)	29-1/2 (749)	20 (508)	3 (76)	8-3/8 (213)	15-7/8 (403)	7-1/2 (190)	12 (305)	1-3/8 (35)	5-1/2 (140)	34-3/8 (873)

Cat. No.	Model	Description	Ship. Weight	Shipping Volume
F4106	VRE4236WS	OD VF Firebox, 36", White Stacked	215 lbs	28.424 Cu. Ft.
F4107	VRE4236WH	OD VF Firebox, 36", White Herringbone	215 lbs	28.424 Cu. Ft.
F4108	VRE4242WS	OD VF Firebox, 42", White Stacked	245 lbs	32.184 Cu. Ft.
F4109	VRE4242WH	OD VF Firebox, 42", White Herringbone	245 lbs	32.184 Cu. Ft.

Interior Firebox Dimensions**		
Firebox Model	36"	42"
Front Width	35 (889)	41 (1042)
Rear Width	23-1/4 (591)	29-1/4 (743)
Depth	17-3/8 (441)	17-3/8 (441)
Height	28 (711)	28 (711)

**Dimensions are to assist you in selecting a log set that is a compatible size.



Inches (millimeters)

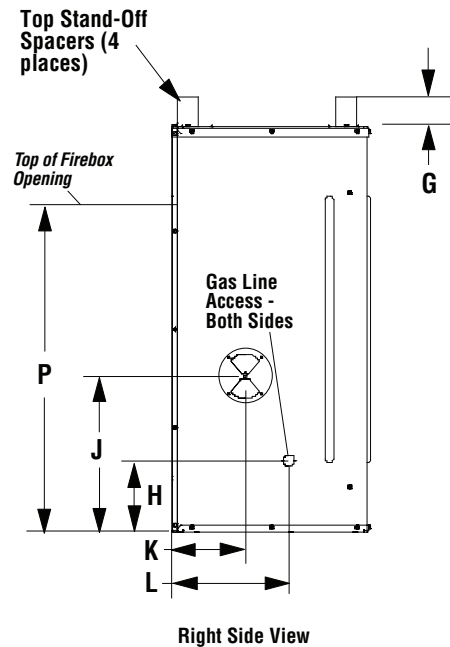
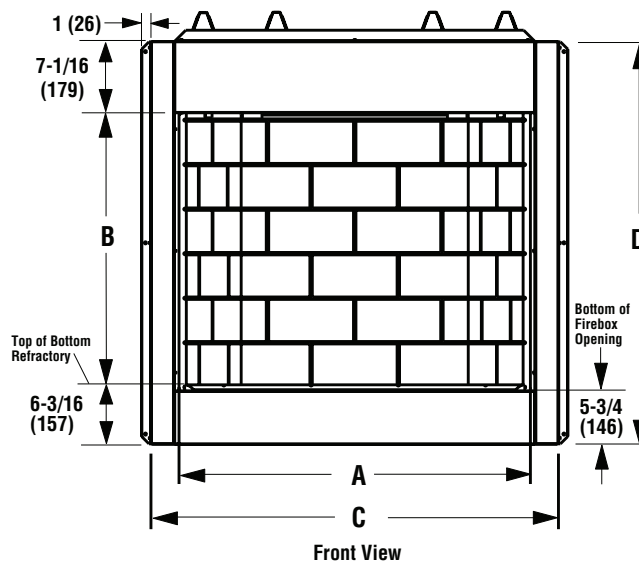


Figure 1 - Firebox Dimensions (36" and 42" Models)

AIR FOR COMBUSTION AND VENTILATION

⚠ WARNING: This heater shall not be installed in a room or space unless the required volume of indoor combustion air is provided by the method described in the National Fuel Gas Code, ANSI Z223.1/NFPA 54, the International Fuel Gas Code, or applicable local codes. Read the following instructions to insure proper fresh air for this and other fuel-burning appliances in your home.

Today's homes are built more energy efficient than ever. New materials, increased insulation and new construction methods help reduce heat loss in homes. Homeowners apply weather strip and caulk around windows and doors to keep cold air out and warm air in. During heating months, homeowners want their homes as airtight as possible.

While it is good to make your home energy efficient, your home needs to breathe. Fresh air must enter your home. All fuel-burning appliances need fresh air for proper combustion and ventilation.

Exhaust fans, some fireboxes, clothes dryers and some fuel burning appliances draw air from the house to operate. You must provide adequate fresh air for these appliances. This will ensure proper venting of vented fuel-burning appliances.

PROVIDING ADEQUATE VENTILATION

The following are excerpts from National Fuel Gas Code, ANSI Z223.1/NFPA 54, Air for Combustion and Ventilation.

All spaces in homes fall into one of the three following ventilation classifications:

1. Unusually Tight Construction
2. Unconfined Space
3. Confined Space

Information on **Pages 5 through 7** will help you classify your space and provide adequate ventilation.

Unusually Tight Construction

Air that leaks around doors and windows may provide enough fresh air for combustion and ventilation. However, in buildings of unusually tight construction, you must provide additional fresh air.

Unusually tight construction is defined as construction where:

- a. walls and ceilings exposed to outside atmosphere have a continuous water vapor retarder with a rating of one perm (6×10^{-11} kg per pa-sec- m^2) or less with openings gasketed or sealed and
- b. weather stripping has been added on openable windows and doors and
- c. caulking or sealants are applied to areas such as joints around window and door frames, between sole plates and floors, between wall-ceiling joints, between wall panels, at penetrations for plumbing, electrical and gas lines and at other openings.

If your home meets all three criteria above, you must provide additional fresh air. See **Ventilation Air From Outdoors, Page 6**.

If your home does not meet all three criteria above, proceed to **Determining Fresh-Air Flow for Firebox Location**.

Confined and Unconfined Space

The National Fuel Gas Code, ANSI Z223.1/NFPA 54 defines a confined space as a space whose volume is less than 50 cubic feet per 1,000 Btu per hour (4.8 m³ per kw) of the aggregate input rating of all appliances installed in that space and an unconfined space as a space whose volume is not less than 50 cubic feet per 1,000 Btu per hour (4.8 m³ per kw) of the aggregate input rating of all appliances installed in that space. Rooms communicating directly with the space in which the appliances are installed*, through openings not furnished with doors, are considered a part of the unconfined space.

* Adjoining rooms are communicating only if there are doorless passageways or ventilation grills between them.

DETERMINING FRESH-AIR FLOW FOR HEATER LOCATION

Determining if You Have a Confined or Unconfined Space Using the Standard Method

Use this work sheet to determine if you have a confined or unconfined space.

Space: Includes the room in which you will install heater plus any adjoining rooms with doorless passageways or ventilation grills between the rooms.

1. Determine the volume of the space (length x width x height).
Length x Width x Height = ___ cu. ft. (volume of space)
Example: Space size 22 ft. (length) x 18 ft. (width) x 8 ft. (ceiling height) = 3168 cu. ft. (volume of space)
If additional ventilation to adjoining room is supplied with grills or openings, add the volume of these rooms to the total volume of the space.
2. Multiply the space volume by 20 to determine the maximum Btu/Hr the space can support.
____ (volume of space) x 20 = (Maximum Btu/Hr the space can support)
Example: 3168 cu. ft. (volume of space) x 20 = 63,360 (maximum Btu/Hr the space can support)
3. Add the Btu/Hr of all fuel burning appliances in the space.

Vent-free heater	_____ Btu/Hr
Gas water heater*	_____ Btu/Hr
Gas furnace	_____ Btu/Hr
Vented gas heater	_____ Btu/Hr
Gas fireplace logs	_____ Btu/Hr
Other gas appliances* +	_____ Btu/Hr
Total	= _____ Btu/Hr

* Do not include direct-vent gas appliances. Direct-vent draws combustion air from the outdoors and vents to the outdoors.

Example:

Gas water heater	<u>40,000</u> Btu/Hr
Vent-free heater	+ <u>39,000</u> Btu/Hr
Total	= <u>79,000</u> Btu/Hr

AIR FOR COMBUSTION AND VENTILATION *Continued*

4. Compare the maximum Btu/Hr the space can support with the actual amount of Btu/Hr used.

_____ Btu/Hr (maximum the space can support)

_____ Btu/Hr (actual amount of Btu/Hr used)

Example: 63,360 Btu/Hr (maximum the space can support)

79,000 Btu/Hr (actual amount of Btu/Hr used)

The space in the above example is a confined space because the actual Btu/Hr used is more than the maximum Btu/Hr the space can support. You must provide additional fresh air. Your options are as follows:

- A. Rework worksheet, adding the space of an adjoining room. If the extra space provides an unconfined space, remove door to adjoining room or add ventilation grills between rooms. See [Ventilation Air From Inside Building](#), **Page 6**.
- B. Vent room directly to the outdoors. See [Ventilation Air From Outdoors](#).
- C. Install a lower Btu/Hr heater, if lower Btu/Hr size makes room unconfined.

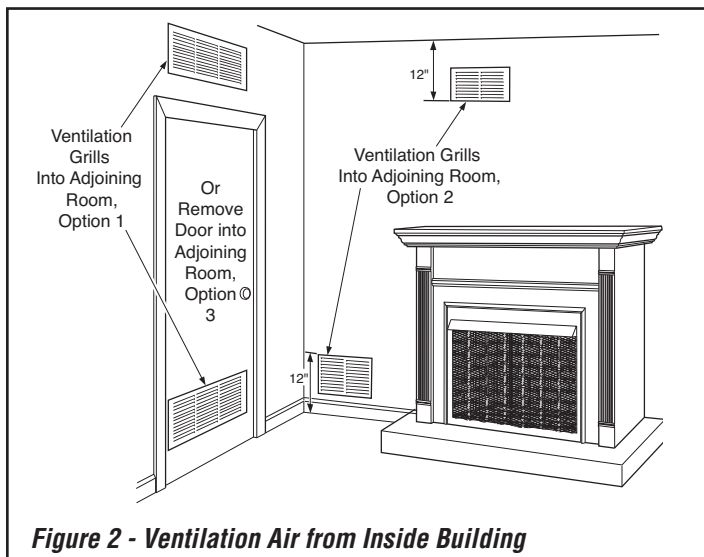
If the actual Btu/Hr used is less than the maximum Btu/Hr the space can support, the space is an unconfined space. You will need no additional fresh air ventilation.

⚠ WARNING: If the area in which the heater may be operated does not meet the required volume for indoor combustion air, combustion and ventilation air shall be provided by one of the methods described in the National Fuel Gas Code, ANSI Z223.1/NFPA 54, the International Fuel Gas Code, or applicable local codes.

VENTILATION AIR

Ventilation Air From Inside Building

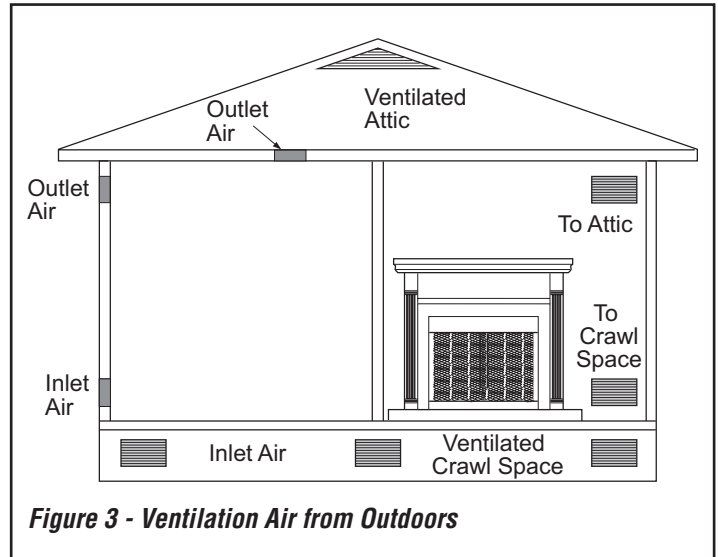
This fresh air would come from an adjoining unconfined space. When ventilating to an adjoining unconfined space, you must provide two permanent openings: one within 12" of the ceiling and one within 12" of the floor on the wall connecting the two spaces (*see options 1 and 2, Figure 2*). You can also remove door into adjoining room (*see option 3, Figure 2*). Follow the National Fuel Gas Code, ANSI Z223.1/NFPA 54, Air for Combustion and Ventilation for required size of ventilation grills or ducts.



Ventilation Air From Outdoors

Provide extra fresh air by using ventilation grills or ducts. You must provide two permanent openings: one within 12" of the ceiling and one within 12" of the floor. Connect these items directly to the outdoors or spaces open to the outdoors. These spaces include attics and crawl spaces. Follow the National Fuel Gas Code, ANSI Z223.1/NFPA 54, Air for Combustion and Ventilation for required size of ventilation grills or ducts.

IMPORTANT: Do not provide openings for inlet or outlet air into attic if attic has a thermostat-controlled power vent. Heated air entering the attic will activate the power vent.



INSTALLATION

⚠ WARNING: A qualified service person must install firebox. Follow all local codes.

⚠ WARNING: Never install the firebox

- in a bedroom or bathroom*
- in a recreational vehicle
- where curtains, furniture, clothing or other flammable objects are less than 36" from front or 42" from top of firebox. For side clearances see *Figure 4*
- in high traffic areas
- in windy or drafty areas

* Unless the installed log set is rated at 10,000 Btu/Hr or less.

⚠ CAUTION: Log heaters installed in this firebox create warm air currents. These currents move heat to wall surfaces next to firebox. Installing firebox next to vinyl or cloth wall coverings or operating firebox where impurities (such as, but not limited to, tobacco smoke, aromatic candles, cleaning fluids, oil or kerosene lamps, etc.) in the air exist, may discolor walls or cause odors.

IMPORTANT: Vent-free gas log heaters add moisture to the air. Although this is beneficial, installing firebox in rooms without enough ventilation air may cause mildew to form from too much moisture. See *Air for Combustion and Ventilation, Page 5*.

IMPORTANT: Make sure firebox is level. If firebox is not level, log set will not work properly.

NOTE: Your firebox is designed to be used in zero clearance installations. Wall or framing material can be placed against any exterior surface on rear, sides, top or bottom of firebox, except where standoff spacers are integrally attached. If standoff spacers are attached to firebox, these spacers can be placed directly against wall or framing materials.

Use dimensions shown for rough openings to create the easiest installation (see *Built-In Firebox Installation, Page 8*).

INSTALLATION CLEARANCES

⚠ WARNING: Maintain the minimum clearances. If you can, provide greater clearances from floor, ceiling and adjoining wall.

Carefully follow these instructions. This will ensure safe installation. **Minimum Wall and Ceiling Clearances** (see *Figure 4*)

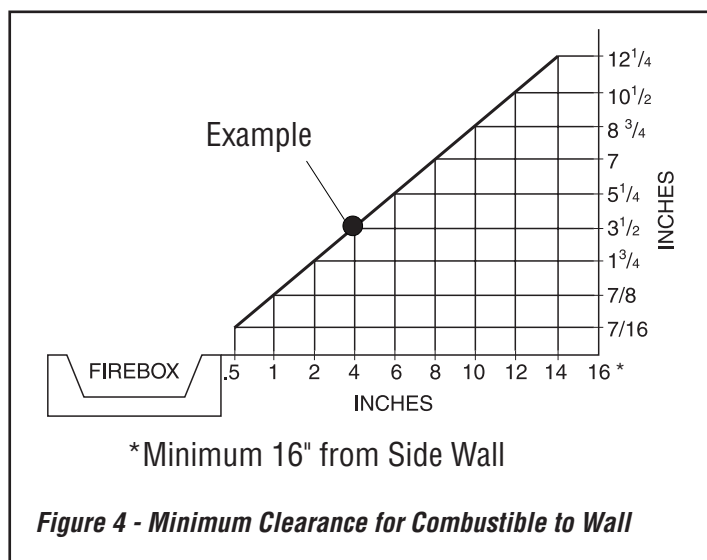
A. Clearances from side of fireplace cabinet to any combustible material and wall should follow diagram in *Figure 4*.

Example: The face of a mantel, bookshelf, etc. is made of combustible material and protrudes 3-1/2" from wall. This combustible material must be 4" from side of fireplace cabinet (see *Figure 4*).

- B. Clearances from top of firebox opening to ceiling should not be less than 42".
- C. When firebox is installed on carpeting or other combustible material, other than wood flooring, firebox should be installed on a metal or wood panel extending full width and depth of enclosure.
- D. Clearances from bottom of firebox to floor is 0".

These fireboxes can be installed as freestanding units against a wall with approved, optional cabinet mantels (see *Accessories, Page 13*) or as a built-in unit. Clearances are the same for either installation method.

⚠ CAUTION: Do not install firebox directly on carpet or vinyl.



Mantel Clearances for Built-In Installation (see *Figure A, Page 9*)

If placing custom mantel above built-in firebox, you must meet minimum allowable clearance between mantel shelf and top of firebox opening shown in *Figure 4*. These are minimum allowable mantel clearances for a safe installation. Use larger clearances wherever possible to minimize heating of objects and materials placed on mantel.

⚠ CAUTION: Do not allow vent-free gas log heater to touch or extend beyond fireplace screen.

NOTICE: Surface temperatures of adjacent walls and mantels become hot during operation. Walls and mantels above firebox may become hot to the touch. If installed properly, these temperatures meet the requirement of the national product standard. Follow all minimum clearances shown in this manual.

NOTICE: If your installation does not meet the minimum clearances shown, you must do one of the following:

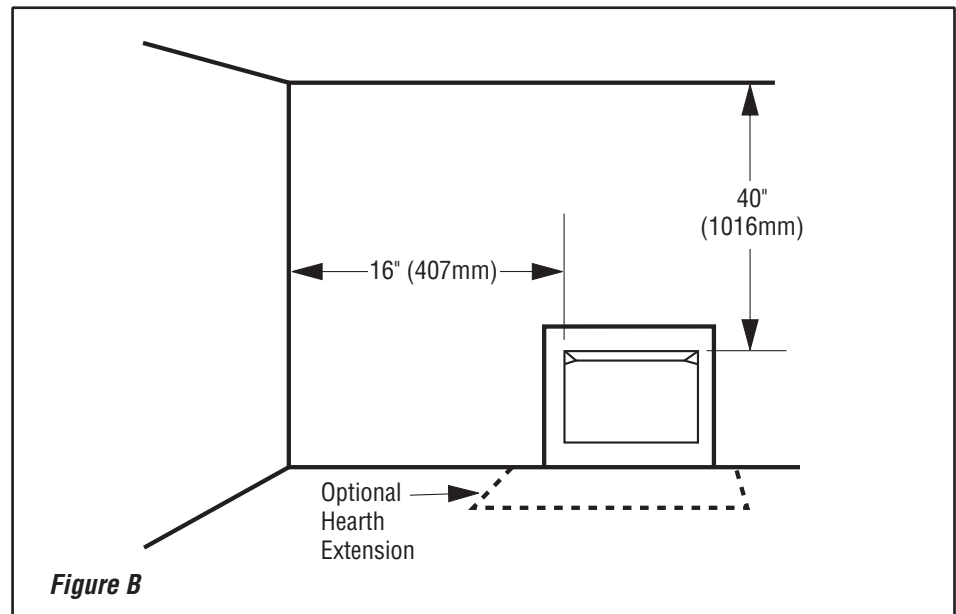
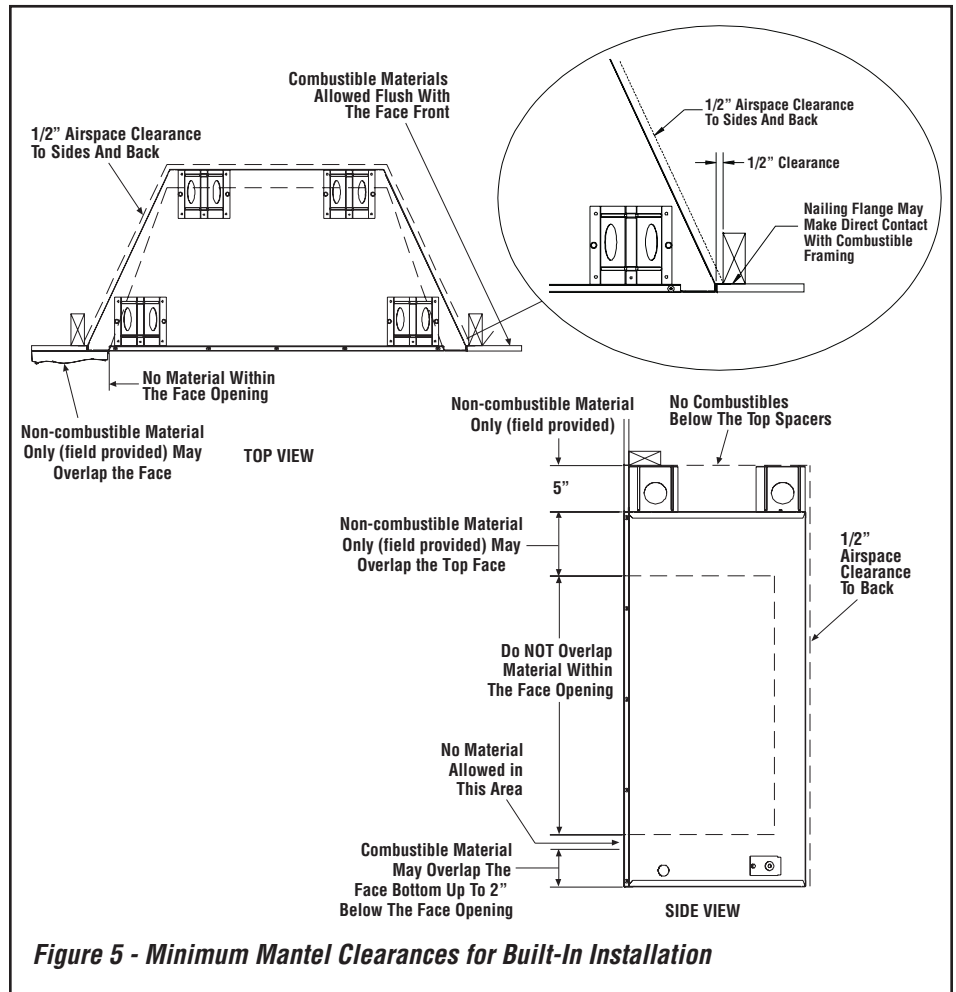
- raise the mantel to an acceptable height
- remove the mantel

INSTALLATION *Continued*

BUILT-IN FIREBOX INSTALLATION

Built-in installation of this firebox involves installing firebox into a framed-in enclosure. This makes the front of firebox flush with wall. If installing a mantel above firebox, you must follow clearances shown in **Figure 4**. Follow these instructions to install firebox in this manner.

1. Frame in rough opening. Firebox framing should be constructed of 2 x 4 lumber or heavier. Use dimensions in table and rough opening layout in **Figure 6a**. Adjust framing so that firebox is flush with finished wall surface. If installing in a corner, use dimensions in **Figures 6b, 6c and 6d** for rough opening.
2. Install gas piping to firebox location. See [Installing Gas Line, Page 10](#) and [Connecting to Gas Supply](#) in log set owner's manual.
3. Carefully set firebox in front of rough opening with back of firebox inside wall opening.
4. Carefully insert firebox into rough opening.
5. Attach firebox to wall studs using nails or wood screws through holes in nailing flange (see **Figure 5**).
6. Install and properly test gas log heater. Follow installation instructions included with vent-free gas log heater that is being installed.

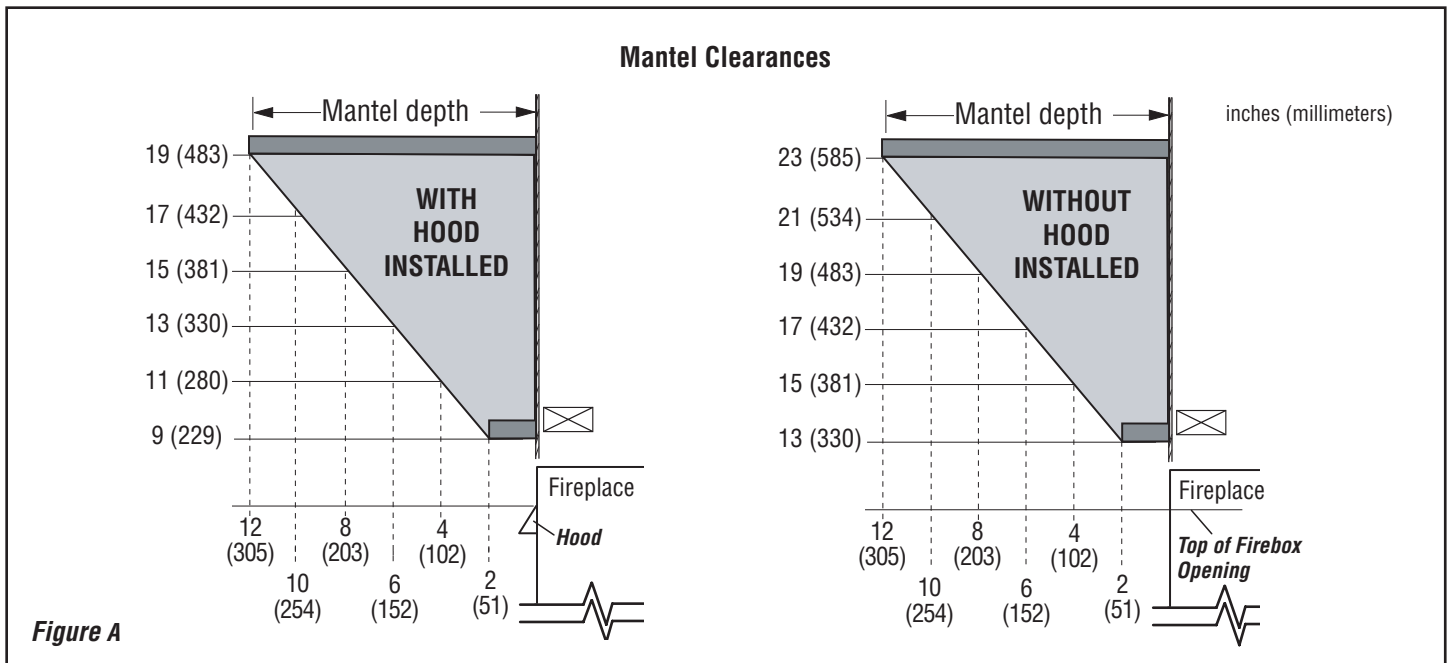
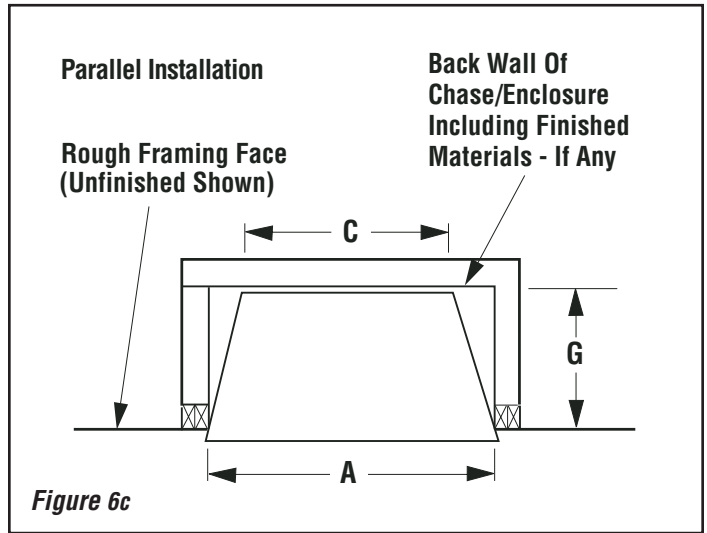
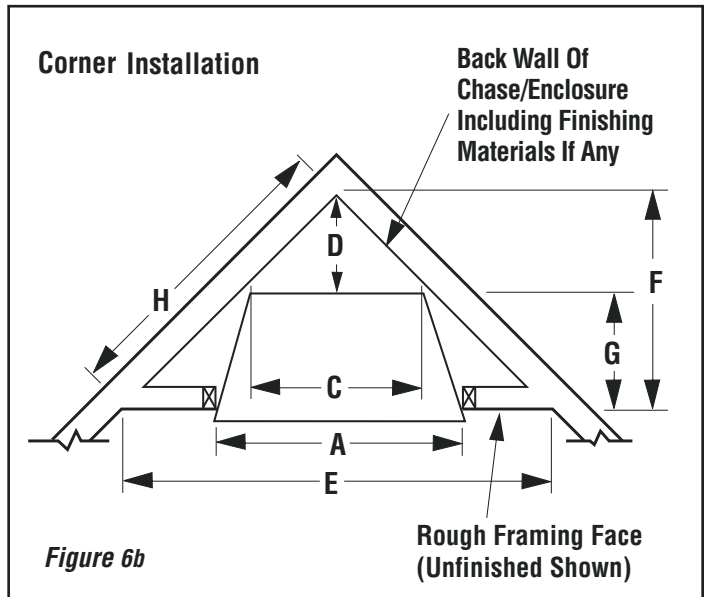
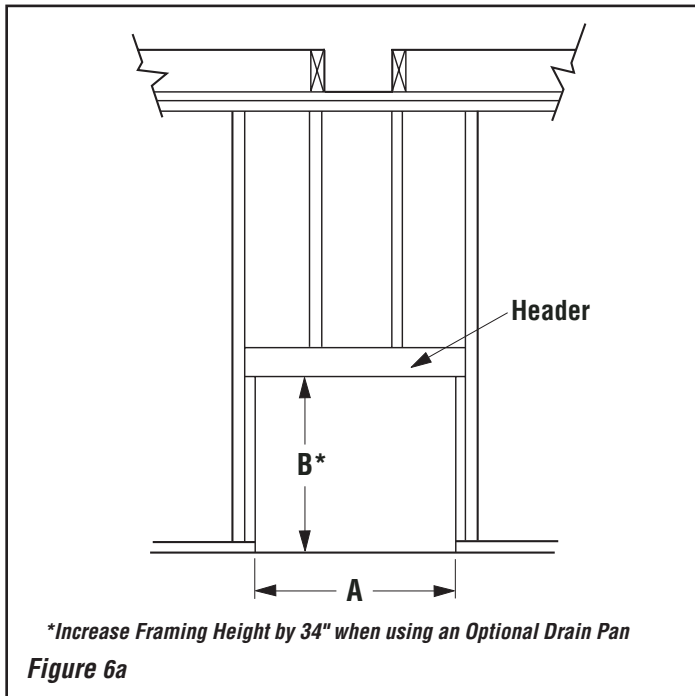


INSTALLATION *Continued*

FRAMING SPECIFICATIONS

Opening	VRE4236	VRE4242
A	42-3/4" (1086)	48-3/4" (1238)
B	46-1/2" (1181)	46-1/2" (1181)
C	23-5/8" (600)	29-5/8" (753)
D	11-1/4" (286)	14-1/4" (362)
E	63-1/2" (1613)	69-1/2" (1765)
F	31-3/4" (807)	34-3/4" (883)
G	20-1/2" (521)	20-1/2" (521)
H	44-1/4" (1124)	49-1/8" (1248)

Table 1 - This Table Corresponds To Figure 6a, 6b and 6c



INSTALLATION *Continued*

IMPORTANT: When finishing your firebox, combustible materials such as wall board, gypsum board, sheet rock, drywall, plywood, etc. may be butted up next to sides and top of firebox. Combustible materials should never overlap firebox front facing.

⚠ WARNING: Do not allow any combustible materials to overlap firebox front facing.

IMPORTANT: Noncombustible materials such as brick, tile, etc. may overlap front facing, but should never cover any necessary openings like louvered slots.

WATERPROOFING THE FIREPLACE

Although this fireplace is designed to operate safely outdoors, rain may enter the hearth area (along with condensation) that could cause an undue amount of water to collect in the fireplace bottom.

To prevent water collection, the builder must provide a means to drain water from under the fireplace by building or installing a water collector of the builders choice, before positioning the fireplace in its location.

Special care must be taken when the fireplace is installed against an exterior wall. The enclosure surrounding the fireplace on the sides and back must be treated as an exterior wall.

Innovative Hearth Products (IHP) provides an optional drain pan to assist weatherproofing the fireplace.

H4651 DPSS36 Drain Pan for **VRE4236**, H4652 DPSS42 Drain Pan for **VRE4242**.

⚠ WARNING: Do not allow noncombustible materials to cover any necessary openings like louvered slots.

⚠ WARNING: Use only noncombustible mortar or adhesives when overlapping the front facing with noncombustible facing material.

INSTALLING FIREBOX USING OPTIONAL ACCESSORY MANTELS

⚠ WARNING: A qualified service person must install firebox. Follow all local codes.

This firebox may be installed using a cabinet mantel accessory against a wall in your home. Firebox and cabinet mantel can be installed directly on floor. A trim kit is included with mantel accessories. Follow instructions with mantel for installation.

INSTALLING GAS LINE

NOTICE: A qualified service person must connect heater to gas supply. Follow all local codes.

IMPORTANT: See Connecting to Gas Supply in your log set owner's manual for details on gas hookup.

You may run gas line from either side or back of firebox (*see Figure 7a, Page 11*). Decide which side you want to run gas line from.

NOTE: This is one option for installing shutoff valve. Check local codes for equipment shutoff valve location requirements.

Locate recessed knockout in one firebrick liner (*see Figure 1, Page 4 and Page 14*). Firmly tap center of knockout with a chisel until it is released. Carefully chisel rough edges of hole you have made to smooth edges. This hole will line up with hole in outer casing.

⚠ CAUTION: Do not use excessive force to remove the knockout. Too much force may damage the firebrick concrete insert.

INSTALLATION *Continued*

When Planning for the installation of the fireplace, the framing height must be increased from 46-1/2" to 47-1/4", when installing the drain pan. An additional space below the fireplace will also be required to plumb a drain line.

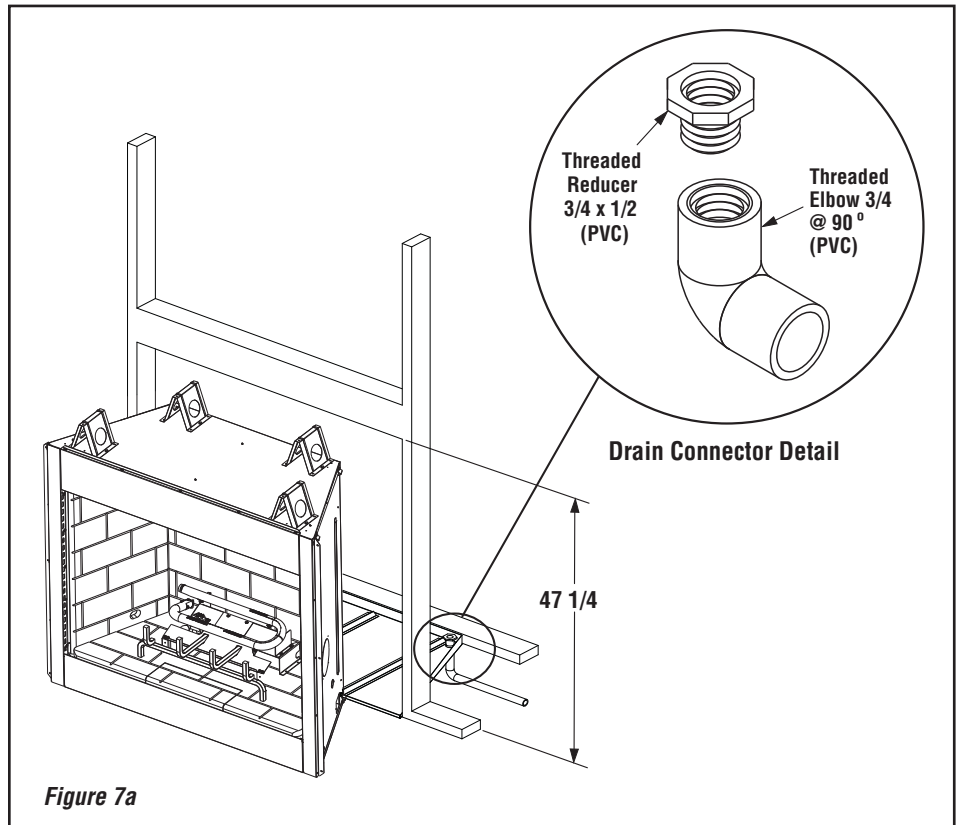
Step 1. Seal all joints, gaps and corners around the bottom of the drain pan before positioning the fireplace on its location (*Figure 7a*).

Step 2. On the exposed drain hole, install a PVC threaded coupling reducer, 3/4" x 1/2" going from the top of the pan down through the hole. Apply a silicone-based sealant around the base and threads before installation.

Step 3. Holding the reducer coupling with a wrench, thread a 3/4", 90 degree, PVC elbow to the reducer until it is tight to the metal.

Step 4. Add additional piping to route the drain to an appropriate location.

NOTE: To assure proper drainage, the fireplace must be installed on a leveled surface.

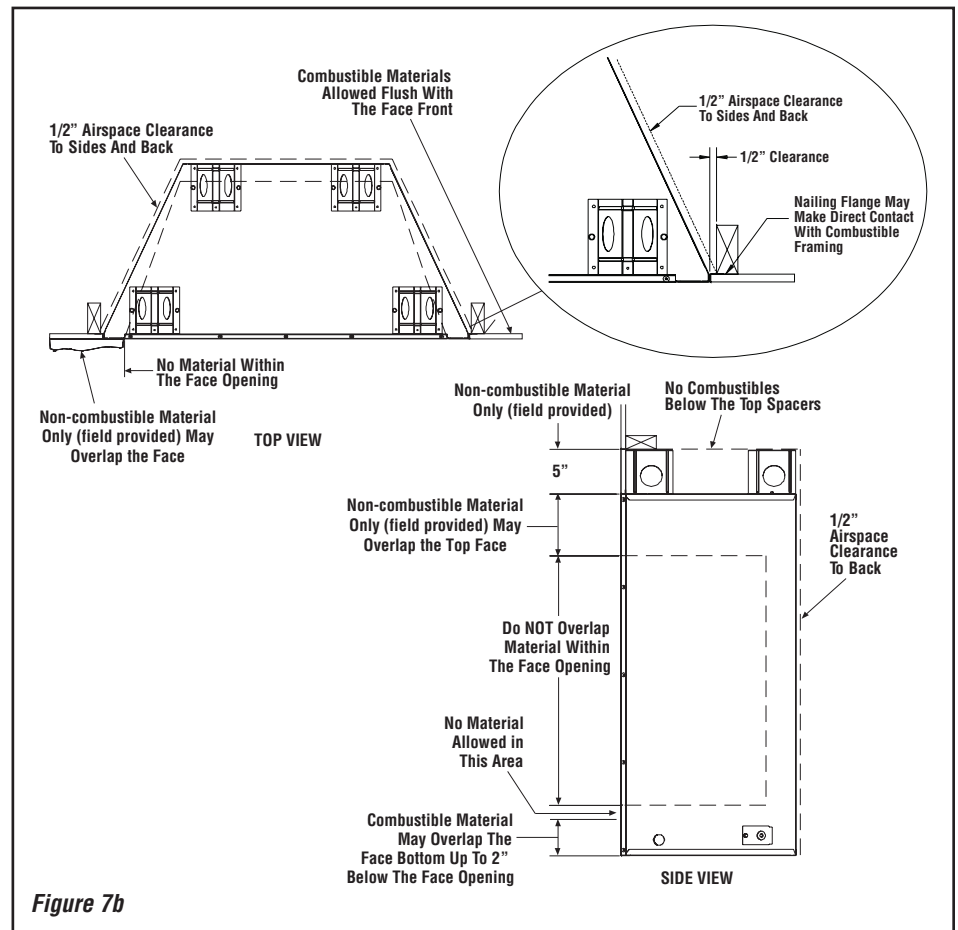


CLEARANCES

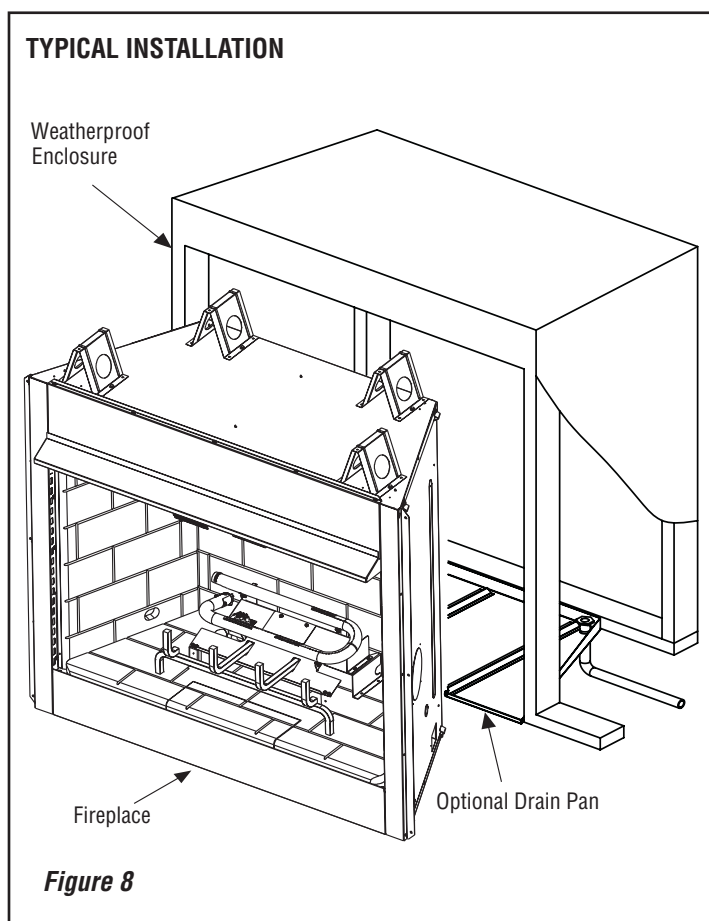
Minimum clearance to combustibles for the fireplace is as follows; sides and back – 1/2" (13mm), combustible floor – 0" (0mm), adjacent wall 6" (152mm), ceiling – 72" (1829mm). Refer to *Figure 7b* on this Page and *Figure 4* on Page 7 for more detail.

NOTE: Clearance behind the nailing flange for both fireplace models is 1/2" (13mm).

NOTE: Adjacent wall considerations are for an adjacent wall to only a single side. Walls should not be placed at the minimum distance on both sides of the fireplace. Allow at least 4 feet on one side of the fireplace.



INSTALLATION *Continued*



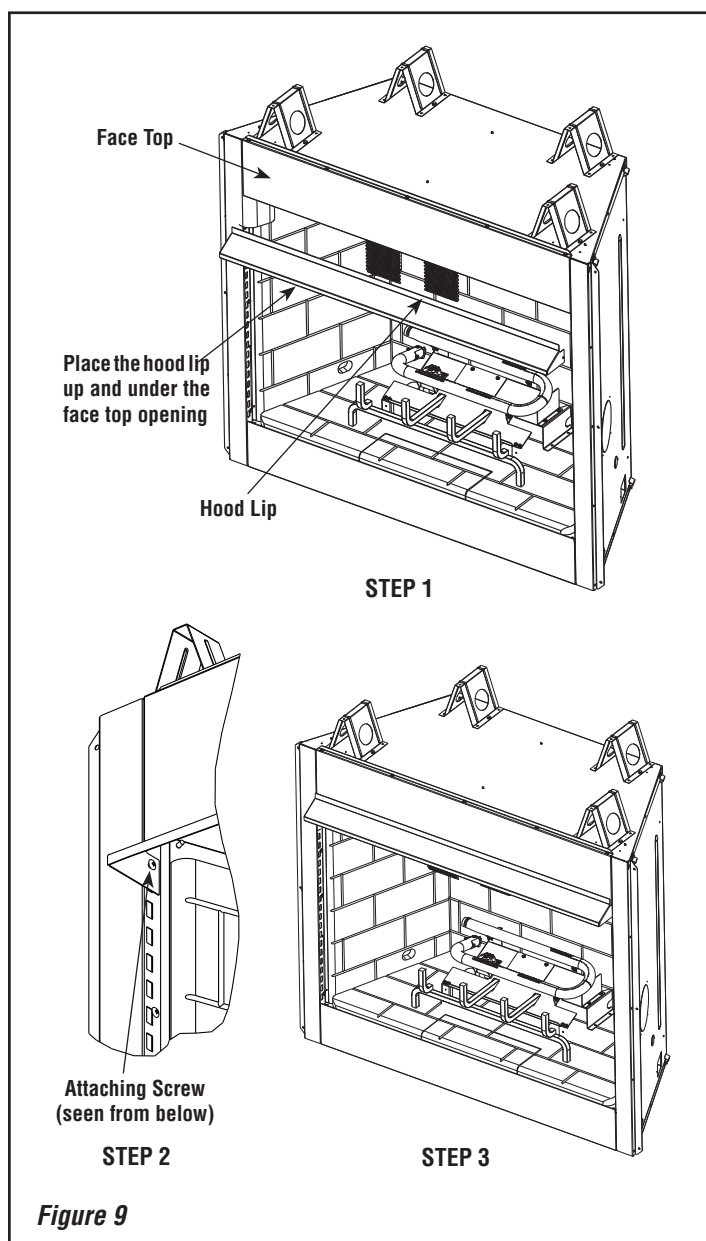
INSTALLING FIREPLACE HOOD

These brushed stainless hood trim kits (36" hood kit - Catalog no. F4128 and 42" hood kit - Catalog no. F4129) may be used with these outdoor gas fireplaces. These kits contain one brushed stainless hood, two (2) screws and these instructions.

Installation Instructions:

To install the hood trim kit, refer to **Figure 9** and follow the steps outlined below:

- Step 1.** Turn off the fireplace and allow it to cool before proceeding.
- Step 2.** Place the hood lip under the face top opening, as shown in **Figure 9 - Step 1**. Attach the hood with two (2) screws, one each side, as shown in **Figure 9 - Step 2**. Completed installation is shown in **Figure 9 - Step 3**.



REPLACEMENT PARTS

NOTE: Use only original replacement parts. This will protect your warranty coverage for parts replaced under warranty.

Normally, all parts should be ordered through your IHP distributor or dealer. Parts will be shipped at prevailing prices at time of order.

NEVER USE SUBSTITUTE MATERIALS. USE OF NON-APPROVED PARTS CAN RESULT IN POOR PERFORMANCE AND SAFETY HAZARDS.

TECHNICAL SERVICE

You may have further questions about installation, operation, or troubleshooting. Please contact your IHP dealer for any questions or concerns. When contacting your dealer please have your model and serial numbers of your appliance ready. You can also visit our web site at SuperiorFireplaces.us.com

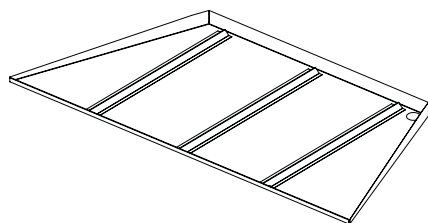
ACCESSORIES

NOTICE: All accessories may not be available for all fireplace models.

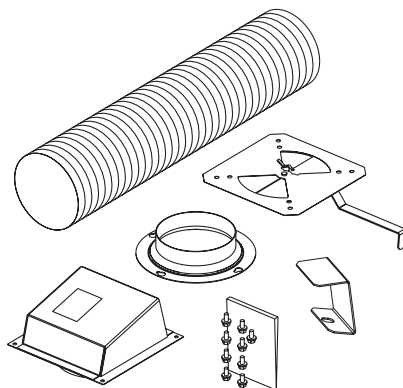
Purchase these accessories from your local dealer. If they can not supply these accessories contact IHP at SuperiorFireplaces.us.com for information. You can also write to the address listed on the back Page of this manual

REQUIRED BURNERS (For Outdoor Use Only!)

24" Outdoor Burner Kits		
Cat. #	Model	Description
F2124	MNF24ONM	OD Stainless Burner, Millivolt
F2126	MNF24OPM	OD Stainless Burner, Millivolt
F2123	MNF24ONE	OD Stainless Burner, Elec., with Remote
F2125	MNF24OPE	OD Stainless Burner, Elec., with Remote
Outdoor Log Sets, Concrete		
F2099A	LMF24GTA	Giant Timbers 24" VF Log, 1/2
F2099B	LMF24GTB	Giant Timbers 24" VF Log, 2/2
F2100A	LMF30GTA	Giant Timbers 30" VF Log, 1/2
F2100B	LMF30GTB	Giant Timbers 30" VF Log, 2/2
F2084A	LMF24MOA	Mossy Oak 24" VF Log, 1/2
F2084B	LMF24MOB	Mossy Oak 24" VF Log, 2/2
F2085A	LMF30MOA	Mossy Oak 30" VF Log, 1/2
F2085B	LMF30MOB	Mossy Oak 30" VF Log, 2/2



Drain Pan		
Cat. No.	Model	Description
H4651	DPSS36	Drain Pan (36)
H4652	DPSS42	Drain Pan (42)



Outside Air Gate & Duct Kit		
Cat. No.	Model	Description
H3991	OAK-UVFRC	Outside Air Gate & Duct Kit

(ref. Form #750206M)

Outside Air Gate & Duct Kit

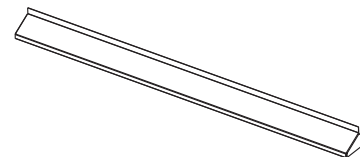
These kits have an air gate assembly, 4" diameter duct and a termination hood. The air gate allows adjustment of the amount of outside air delivered to the fire for combustion. Only one kit, located on the right side of the fireplace, is required.

Touch-Up Paint Kits

Repair minor scratches and discoloration of the fireplace black painted surfaces with the touch-up paint kits.



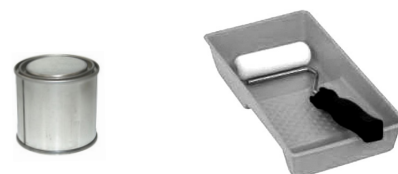
Cat. No.	Model	Description
F4032	----	Black touch-up paint, firebox interior
F1882	SCTPSAB	Black touch-up paint, powder coat exterior



Hood Kit

This attractive brushed stainless Hood Kit is easy to install and enhances the appearance of the appliance.

Outdoor Hood Kit		
Cat. No.	Model	Description
F4128	Hood36ODSL	36" Hood Kit
F4129	Hood42ODSL	42" Hood Kit



Creamer

Rust

Cappuccino

Refractory Stain Kits

Use the Refractory Stain Kits to give white refractory panels a new look.

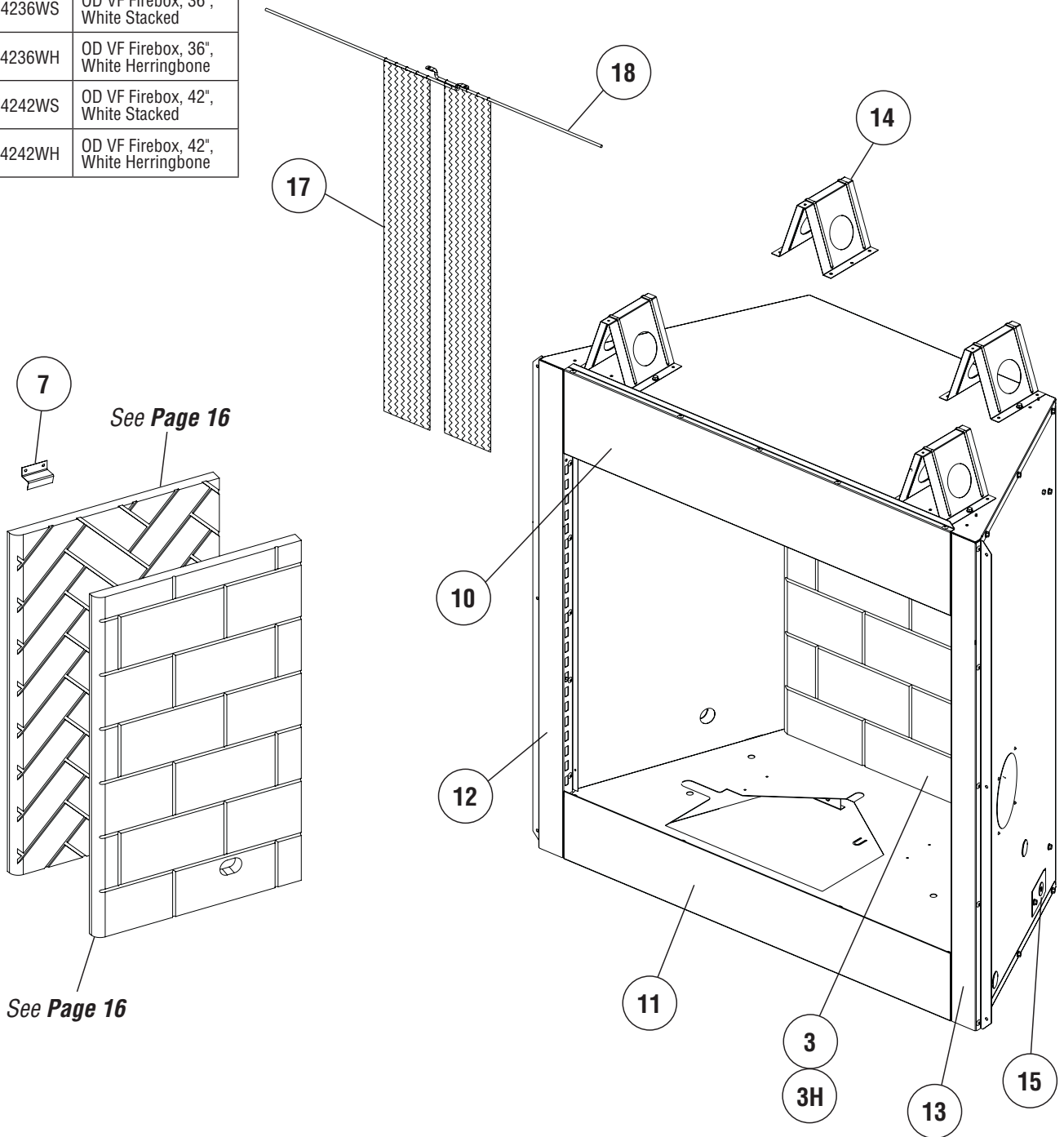
Kit includes foam roller, roller handle, paint tray, and one can of stain. Available stain colors are Creamer (ivory), Rust (terra cotta), and Cappuccino (rosy taupe).

Refractory Stain Kits		
Cat. No.	Model	Description
H8176	BSK-CR	Creamer
H8177	BSK-RT	Rust
H8178	BSK-CP	Cappuccino

PARTS

MODELS VRE4236WS, VRE4236WH, VRE4242WS AND VRE4242WH

Cat. No.	Model	Description
F4106	VRE4236WS	OD VF Firebox, 36", White Stacked
F4107	VRE4236WH	OD VF Firebox, 36", White Herringbone
F4108	VRE4242WS	OD VF Firebox, 42", White Stacked
F4109	VRE4242WH	OD VF Firebox, 42", White Herringbone



⚠ WARNING
 Never use substitute materials. Use of non-approved parts can result in poor performance and safety hazards.

PARTS

This list contains replaceable parts used in your firebox. When ordering parts, follow the instructions listed under [Replacement Parts](#) on **Page 12** of this manual.

⚠ WARNING: Contact an IHP dealer to obtain any of these parts. Never use substitute materials not approved by IHP. Use of non-approved parts can result in poor performance and safety hazards.

Item No.	Description	VRE4236		VRE4242	
		Part No.	Qty.	Part No.	Qty.
10	Top Frame	H4933	1	H4934	1
11	Bottom Frame	H4935	1	H4936	1
12	Corner Post (LH)	H4937	1	H4937	1
13	Corner Post (RH)	H4938	1	H4938	1
14	Stand-Off Bracket	H2716	4	H2716	4
17	Screen	H4926	2	H4927	2
18	Screen Rod	H4939	2	H4940	2
22	Flex Connector	93L32	2	93L32	2

⚠ WARNING

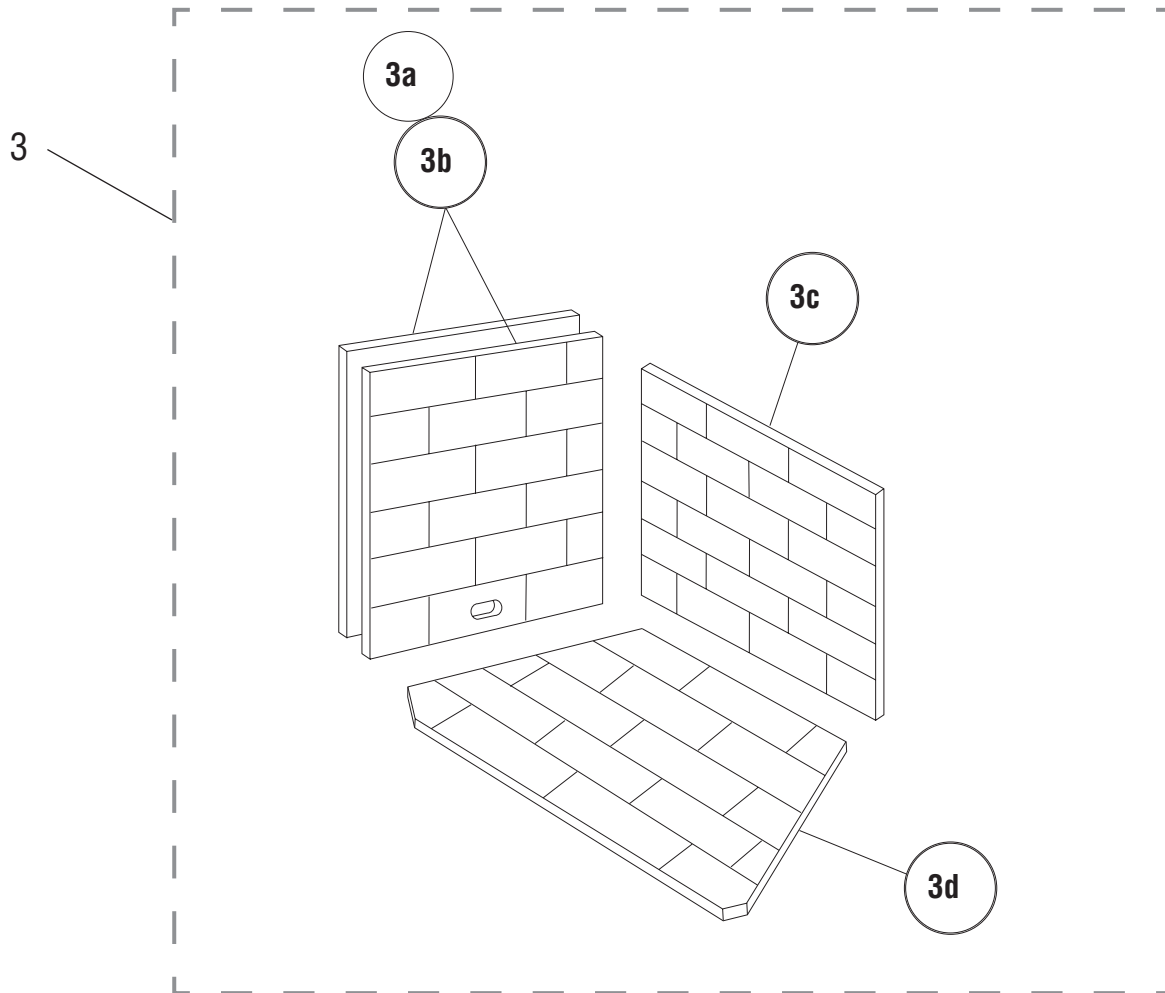
Failure to position the parts in accordance with these diagrams or failure to use only parts specifically approved with this appliance may result in property damage or personal injury.

⚠ AVERTISSEMENT

Risque de dommages ou de blessures si les pièces ne sont pas installées conformément à ces schémas et ou si des pièces autres que celles spécifiquement approuvées avec cet appareil sont utilisées.

PARTS

MODELS VRE4236WS, VRE4236WH, VRE4242WS AND VRE4242WH



No.	Description	VRE4236WS White Stacked		VRE4236WS White Herringbone		VRE4242WS White Stacked		VRE4242WH White Herringbone	
		Part No.	Qty.	Part No.	Qty.	Part No.	Qty.	Part No.	Qty.
3	Refractory Panel Set, 4 pc.	F3528	1	F3396	1	F3529	1	F3530	1
3a	Refractory, Left (order set)	---	1	---	1	---	1	---	1
3b	Refractory, Right (order set)	---	1	---	1	---	1	---	1
3c	Refractory, Rear (order set)	---	1	---	1	---	1	---	1
3d	Refractory, Bottom (order set)	---	1	---	1	---	1	---	1

Innovative Hearth Products Superior® Brand Gas Fireplaces, Stoves and Inserts 20 Year Limited Warranty

THE WARRANTY

Innovative Hearth Products ("IHP") 20 Year Limited Warranty warrants your Superior® Brand gas fireplace, Stove or Insert ("Product") to be free from defects in materials and workmanship at the time of manufacture. The product body, firebox and barrier carry the 20 Year Limited Warranty. Ceramic glass carries the 20 Year Limited Warranty against thermal breakage only. After installation, if covered components manufactured by IHP are found to be defective in materials or workmanship during the 20 Year Limited Warranty period and while the Product remains at the site of the original installation, IHP will, at its option, repair or replace the covered components. If repair or replacement is not commercially practical, IHP will, at its option, refund the purchase price or wholesale price of the IHP product, whichever is applicable. IHP will also pay IHP prevailing labor rates, as determined in its sole discretion, incurred in repairing or replacing such components for up to five years. THERE ARE EXCLUSIONS AND LIMITATIONS to this 20 Year Limited Warranty as described herein.

COVERAGE COMMENCEMENT DATE

Warranty coverage begins on the date of purchase. In the case of new home construction, warranty coverage begins on the date of first occupancy of the dwelling or six months after the sale of the Product by an independent IHP dealer/distributor, whichever occurs earlier. The warranty shall commence no later than 24 months following the date of product shipment from IHP, regardless of the installation or occupancy date.

EXCLUSIONS AND LIMITATIONS

This 20 Year Limited Warranty applies only if the Product is installed in the United States or Canada and only if operated and maintained in accordance with the printed instructions accompanying the Product and in compliance with all applicable installation and building codes and good trade practices.

This warranty is non-transferable and extends to the original owner only. The Product must be purchased through a listed supplier of IHP and proof of purchase must be provided. The product body, firebox and barrier carry the 20 Year Limited Warranty from the date of installation. Vent components, trim components and paint are excluded from this 20 Year Limited Warranty. The following do not carry the 20 Year Limited Warranty but are warranted as follows:

- Burner** – Repair or replacement for one year from the date of installation
- Gas components** – Repair or replacement for one year from the date of installation
- Gaskets** – Repair or replacement for one year from the date of installation
- Logs** – Replacement for one year from the date of installation against thermal breakage only
- Optional blowers & remote controls** – Repair or replacement for one year from the date of installation
- Optional glass doors** – Repair or replacement for 90 days from the date of installation
- Tempered glass** - Replacement for one year from the date of installation
- Labor coverage** – Prevailing IHP labor rates apply for the warranty period of the component

Parts not otherwise listed carry a 90 day warranty from the date of installation.

Whenever practicable, IHP will provide replacement parts, if available, for a period of 10 years from the last date of manufacture of the Product.

IHP will not be responsible for: (a) damages caused by normal wear and tear, accident, riot, fire, flood or acts of God; (b) damages caused by abuse, negligence, misuse, or unauthorized alteration or repair of the Product affecting its stability or performance (The Product must be subjected to normal use. The Product is designed to burn either natural or propane gas only. Burning conventional fuels such as wood, coal or any other solid fuel will cause damage to the Product, will produce excessive temperatures and could result in a fire hazard.); (c) damages caused by failing to provide proper maintenance and service in accordance with the instructions provided with the Product; (d) damages, repairs or inefficiency resulting from faulty installation or application of the Product.

IHP is not responsible for inadequate fireplace system draft caused by air conditioning and heating systems, mechanical ventilation systems, or general construction conditions which may generate negative pressure in the room in which the appliance is installed. Additionally IHP assumes no responsibility for drafting conditions caused by venting configurations, adjoining trees or buildings, adverse wind conditions or unusual environmental factors and conditions that affect the operation of the unit.

This 20 Year Limited Warranty covers only parts and labor as provided herein. In no case shall IHP be responsible for materials, components or construction, which are not manufactured or supplied by IHP or for the labor necessary to install, repair or remove such materials, components or construction. Additional utility bills incurred due to any malfunction or defect in equipment are not covered by this warranty. All replacement or repair components will be shipped F.O.B. from the nearest stocking IHP factory.

LIMITATION ON LIABILITY

It is expressly agreed and understood that IHP's sole obligation and the purchaser's exclusive remedy under this warranty, under any other warranty, expressed or implied, or in contract, tort or otherwise, shall be limited to replacement, repair, or refund, as specified herein.

In no event shall IHP be liable for any incidental or consequential damages caused by defects in the Product, whether such damage occurs or is discovered before or after repair or replacement, and whether such damage is caused by IHP's negligence. IHP has not made and does not make any representation or warranty of fitness for a particular use or purpose, and there is no implied condition of fitness for a particular use or purpose.

IHP makes no expressed warranties except as stated in this 20 Year Limited Warranty. The duration of any implied warranty is limited to the duration of this expressed warranty.

No one is authorized to change this 20 Year Limited Warranty or to create for IHP any other obligation or liability in connection with the Product. Some states and provinces do not allow the exclusion or limitation of incidental or consequential damages, so the above limitations or exclusions may not apply to you. The provisions of this 20 Year Limited Warranty are in addition to and not a modification of or subtraction from any statutory warranties and other rights and remedies provided by law.

INVESTIGATION OF CLAIMS AGAINST WARRANTY

IHP reserves the right to investigate any and all claims against this 20 Year Limited Warranty and to decide, in its sole discretion, upon the method of settlement.

To receive the benefits and advantages described in this 20 Year Limited Warranty, the appliance must be installed and repaired by a licensed contractor approved by IHP.

Contact IHP at the address provided herein to obtain a listing of approved dealers/distributors. **IHP shall in no event be responsible for any warranty work done by a contractor that is not approved without first obtaining IHP's prior written consent.**

HOW TO REGISTER A CLAIM AGAINST WARRANTY

In order for any claim under this warranty to be valid, you must contact the IHP dealer/distributor from which you purchased the product. If you cannot locate the dealer/distributor, then you must notify IHP in writing. IHP must be notified of the claimed defect in writing within 90 days of the date of failure. Notices should be directed to the IHP Warranty Department at 1769 East Lawrence Street; Russellville, AL 35654 or visit our website at WWW.SUPERIORFIREPLACES.US.COM.

Record the following important information about your appliance:

Appliance model number	
Appliance serial number	
Date appliance was Installed	
Type of gas appliance uses	
Dealer name	

Innovative Hearth Products (IHP) reserves the right to make changes at any time, without notice, in design, materials, specifications, prices and also to discontinue colors, styles and products. Consult your local distributor for fireplace code information.

