

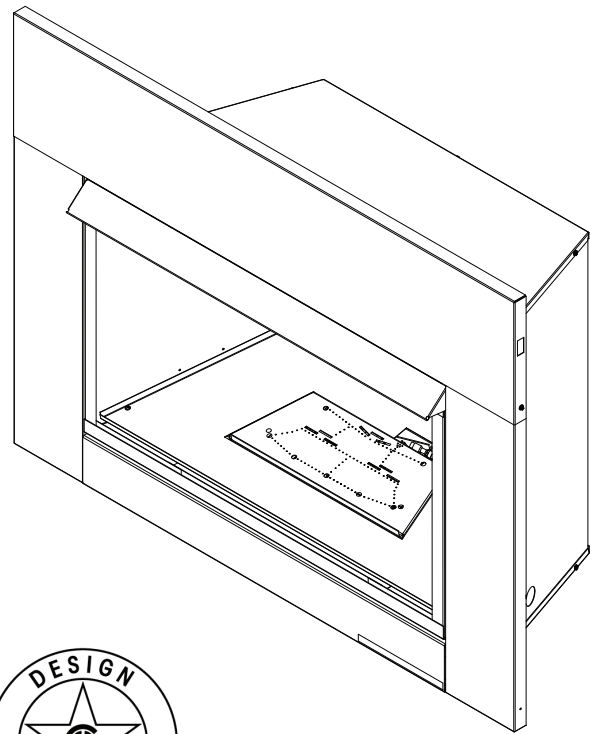


VFI Series Vent Free Gas Fireplace Installation & Operating Instructions

Models: VFI33L(N/P)(V/I), VFI33C(N/P)(V/I)

⚠ WARNING: If the information in this manual is not followed exactly, a fire or explosion may result causing property damage, personal injury or loss of life.

- Do not store or use gasoline or other flammable vapors and liquids in the vicinity of this or any other appliance.
- **WHAT TO DO IF YOU SMELL GAS**
 - Do not try to light any appliance.
 - Do not touch any electrical switch; do not use any phone in your building.
 - Leave the building immediately.
 - Immediately call your gas supplier from a neighbor's phone. Follow the gas supplier's instructions.
 - If you cannot reach your gas supplier, call the fire department.
- Installation and service must be performed by a qualified installer, service agency or the gas supplier.



This is an unvented gas-fired heater. It uses air (oxygen) from the room in which it is installed. Provisions for adequate combustion and ventilation air must be provided. Refer to *Page 7*.

INSTALLER: Leave this manual with the appliance.
CONSUMER: Retain this manual for future reference.

Thank you and congratulations on your purchase of a Monessen vent free gas fireplace.

PLEASE READ THE INSTALLATION AND OPERATION INSTRUCTIONS
BEFORE USING THE APPLIANCE.

IMPORTANT: Read all instructions and warnings carefully before starting installation.

Failure to follow these instructions may result in a possible fire hazard and will void the warranty.

Important Safety Information	3	IPI System Wiring Diagram	20
Codes	4	Operating Instruction – IPI	21
Product Features	5	For Your Safety Read Before Lighting	21
Operation	5	What To Do If You Smell Gas	21
Gas Pressures	5	Operating Instructions	21
Gas Specifications And Orifice Size	5	To Turn Off Gas To The Appliance	21
Ignition Controls	5	Operating And Indications	22
Pilot	5	Electrical Wiring – Fan	23
Thermal Generator	5	Log Placement	24
Fireplace And Framing Dimensions	6	Before You Begin	24
Fireplace And Framing Dimensions	6	Rock Wool Placement	25
Pre-Installation Information	7	Install Berkley Oak Logs	25
Framing Dimensions	7	Install Highland Oak Logs	27
Getting Started	7	Install Kentucky Wildwood Logs	28
What You Will Need For Installation	7	Install Beachcomber and Riverwood Logs	30
Clearances And Height Requirements	8	Fireglass Placement	31
Before Installing The Fireplace Insert	9	Flame Appearance	32
Heat Resistant Material	9	Visual Flame Check	32
Installation	10	Check The Pilot Flame	32
Remove Screen	10	Thermostat And Millivolt Control	32
Install Canopy	10	Operating Instructions	32
Secure Heater To Floor	11	Operating Instructions	31
Connect Gas Line	12	For Your Safety Read Before Lighting	33
Connecting The Gas Line	12	What To Do If You Smell Gas	33
Gas Pressure – Millivolt	13	Millivolt/Thermostat Control Lighting Instructions ..	34
Checking Gas Pressure – Millivolt Control	13	To Turn Off Gas To Heater	34
Electrical Wiring – Millivolt	14	Match Lighting Instructions	34
Connect Optional Wall Switch Or Thermostat	14	Blower Operation	34
Connect Remote Receiver	15	Cleaning And Servicing	36
Check System Operation	15	Annual Cleaning And Inspection	36
Operating Instructions – Millivolt	16	Periodic Cleaning	36
For Your Safety Read Before Lighting	16	Troubleshooting	37
What To Do If You Smell Gas	16	Replacement Parts	39
Lighting Pilot For The First Time	16	Firebox Assembly	39
Lighting Pilot	17	Millivolt Burner Assembly	40
Lighting Burner	18	IPI Burner Assembly	41
To Turn Off Gas	18	Berkley Oak Logs	42
Check Gas Pressure – IPI	19	Beachcomber and Riverwood Logs	43
Electrical Installation – IPI	19	Highland Oak Logs	44
Electrical Wiring	19	Kentucky Wildwood Logs	45
Junction Box Wiring	19	Warranty	46

INSTALLER

Please leave these instructions with the appliance.

OWNER

Please retain these instructions for future reference.

⚠ WARNING!

- Any change to this heater or its controls can be dangerous.
- Improper installation or use of the heater can cause serious injury or death from fire, burns, explosion or carbon monoxide poisoning.
- Do not allow fans to blow directly into the fireplace. Avoid any drafts that alter burner flame patterns.
- Do not use a blower insert, heat exchanger insert or other accessory, not approved for use with this heater where applicable.

⚠ WARNING!

1. Due to high temperatures, the appliance should be located out of traffic and away from furniture and draperies.
2. Children and adults should be alerted to the hazard of high surface temperature and should stay away to avoid burns or clothing ignition.
3. Young children should be carefully supervised when they are in the same room with the appliance.
4. Do not place clothing or other flammable material on or near the appliance.
5. Any safety screen or guard removed for servicing an appliance, must be replaced prior to operating the heater.
6. Installation and repair should be done by a qualified service person.
7. To prevent malfunction and/or sooting, an unvented gas heater should be cleaned before use and at least annually by a professional service person. More frequent cleaning may be required due to excessive lint from carpeting, bedding materials, etc. It is imperative that control compartments, burners and circulating air passageways be kept clean.
8. **CARBON MONOXIDE POISONING:** Early signs of carbon monoxide poisoning are similar to the flu with headaches, dizziness and/or nausea. If you have these signs, obtain fresh air immediately. Have the heater serviced as it may not be operating properly.
9. The installation must conform with local codes or, in the absence of local codes, with the **National Fuel Gas Code, ANSI Z223.1/NFPA54**.
10. This unit complies with the latest edition of ANSI Z21.11.2, Unvented Heaters.
11. Do not install the heaters in a bathroom or bedroom.
12. Correct installation of the ceramic fiber logs, proper location of the heater, and annual cleaning are necessary to avoid potential problems with sooting. Sooting, resulting from improper installation or operation, can settle on surfaces outside the fireplace. See log placement instructions for proper installation.
13. Avoid any drafts that alter burner flame patterns. Do not allow fans to blow directly into fireplace. Do not place a blower inside burn area of firebox. Ceiling fans may create drafts that alter burner flame patterns. Sooting and improper burning will occur.
14. **CAUTION:** Candles, incense, oil lamps, etc. produce combustion byproducts including soot. Vent-free appliances will not filter or clean soot produced by these types of products. In addition, the smoke and/or aromatics (scents) may be re-burned in the vent-free appliance which can produce odors. It is recommended to minimize the use of candles, incense, etc. while the vent-free appliance is in operation.
15. This is an unvented gas-fired heater. It uses air (oxygen) from the room in which it is installed. Provisions for adequate combustion and ventilation air must be provided.
16. This heater shall not be installed in a room or space unless the required volume of indoor combustion air is provided by the method described in the *National Fuel Gas Code, ANSI Z223.1/NFPA 54*, the *International Fuel Gas Code* or applicable local codes.
17. Keep room area clear and free from combustible materials, gasoline and other flammable vapors and liquids.
18. Unvented gas heaters are a supplemental zone heater. They are not intended to be the primary heating appliance.
19. Unvented gas heaters emit moisture into the living area. In most homes of average construction, this does not pose a problem. In houses of extremely tight construction, additional mechanical ventilation is recommended.

20. During manufacturing, fabricating and shipping, various components of this appliance are treated with certain oils, films or bonding agents. These chemicals are not harmful but may produce annoying smoke and smells as they are burned off during the initial operation of the appliance; possibly causing headaches or eye or lung irritation. This is a normal and temporary occurrence. The initial break-in operation should last four hours with the burner at the highest setting. Provide maximum ventilation by opening windows or doors to allow odors to dissipate. Any odors remaining after this initial break-in period will be slight and will disappear with continued use.
21. Input ratings are shown in BTU per hour and are for elevations up to 2,000 feet. For elevations above 2,000 feet, input ratings should be reduced 4 percent for each 1,000 feet above sea level. Refer to the National Fuel Gas Code.
22. The appliance must be isolated from the gas supply piping system by closing its equipment shutoff valve during any pressure testing of the gas supply piping system at test pressures equal to or less than 1/2 psig (3.5 kPa).
23. Do not use this room heater if any part has been under water. Immediately call a qualified service technician to inspect the room heater and to replace any part of the control system and any gas control which has been under water.
24. Never burn solid fuels in a fireplace where a unvented room heater is installed.
25. Always have a fireplace screen in place when the appliance is in operation and, unless other provisions for combustion air are provided, the screen must have an opening(s) for induction of combustion air.

THIS APPLIANCE MAY BE INSTALLED IN AN AFTER-MARKET, PERMANENTLY LOCATED, MANUFACTURED (MOBILE) HOME, WHERE NOT PROHIBITED BY LOCAL CODES.

THIS APPLIANCE IS ONLY FOR USE WITH THE TYPE OF GAS INDICATED ON THE RATING PLATE. THIS APPLIANCE IS NOT CONVERTIBLE FOR USE WITH OTHER GASES.

**NATIONAL
FIREPLACE
INSTITUTE**



CERTIFIED
www.nficertified.org

We recommend that our gas hearth products be installed and serviced by professionals who are certified in the U.S. by the National Fireplace Institute® (NFI) as NFI Gas Specialists.

⚠ WARNING: Never connect unit to private (non-utility) gas wells. This gas is commonly known as wellhead gas.

⚠ WARNING: This product and the fuels used to operate this product (liquid propane or natural gas), and the products of combustion of such fuels, can expose you to chemicals including benzene, which is known to the State of California to cause cancer and reproductive harm. For more information go to: www.P65Warnings.ca.gov.

CODES

Adhere to all local codes or, in their absence, the latest edition of THE NATIONAL FUEL GAS CODE ANSI Z223.1 or NFPA54 which can be obtained from...

American National Standards Institute, Inc.

1430 Broadway
New York, NY 10018

or

National Fire Protection Association, Inc.

Batterymarch Park
Quincy, MA 02269

VFI33 CONTROLS

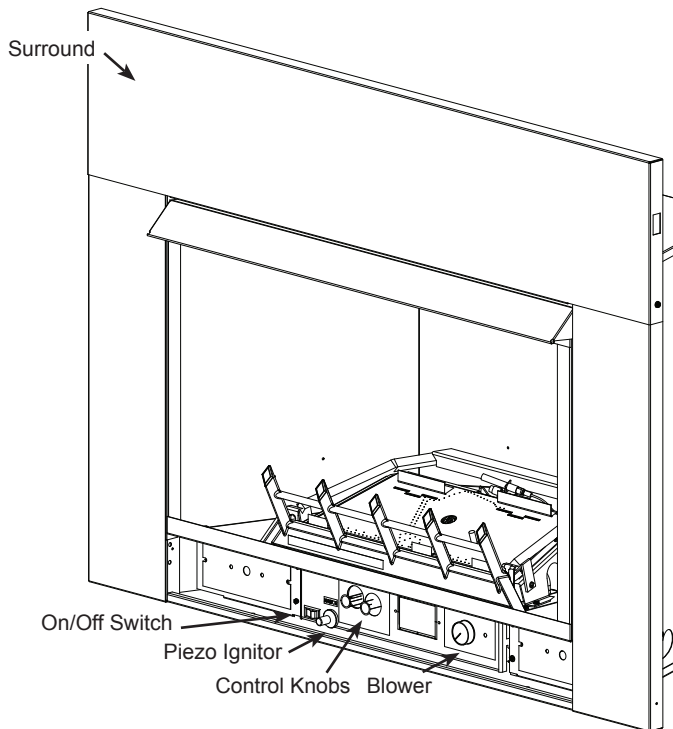


Figure 1. Unvented Gas Heater with Control Access Door Open

OPERATION

This unvented gas heater requires no outside venting and burns cleanly with high heating efficiency.

GAS PRESSURES

Control	Fuel	Millivolt T-stat
Regulator Pressure	Natural	3.5" w.c.
Pilot Regulator	Natural	3.5" w.c.
Max. Inlet Pressure	Natural	10.5" w.c.
Min. Inlet Pressure	Natural	5.0" w.c.
Regulator Pressure	LP	10.0" w.c.
Max. Inlet Pressure	LP	13.0" w.c.
Min. Inlet Pressure	LP	11.0" w.c.

GAS SPECIFICATIONS AND ORIFICE SIZE

MODEL	FUEL	CONTROL	MAX. INPUT (BTU/h)	MIN. INPUT (BTU/h)	ORIFICE SIZE
VFI33LNV	NAT.	Millivolt	28,000	19,000	#38
VFI33LPV	LP.	Millivolt	27,000	22,000	#52
VFI33CNV	NAT.	Millivolt	28,000	19,000	#38
VFI33CPV	LP.	Millivolt	27,000	22,000	#52
VFI33LNI	NAT.	IPI	28,000	19,000	#38
VFI33LPI	LP.	IPI	27,000	22,000	#52
VFI33CNI	NAT.	IPI	28,000	19,000	#38
VFI33CPI	LP.	IPI	27,000	22,000	#52

NOTE: For LP models an external regulator is required to reduce supply pressure to a maximum of 13" w.c.

IGNITION CONTROLS

Piezo ignitor allows ignition of the pilot without the use of matches or batteries.

Millivolt and EcoLogic® 2.0 controls have four (4) positions:

- OFF** - All gas to the gas logs is shut off at the valve.
- IGN** - Valve position to light/maintain a standing pilot.
- ON** - Valve position to turn ON/OFF log set with remote switch/thermostat.
- LOW/HI** - Variable position to control flame height (heat output). Both front and rear burners are in operation to provide realistic glow and yellow flame.

PILOT

The gas log heater is fitted with a specially designed safety pilot light (ODS assembly) which senses the amount of oxygen available in the room and shuts the gas log heater off if the oxygen level begins to drop below a satisfactory level. The pilot can only be re-lit when adequate fresh air is available.

THERMAL GENERATOR

The millivolt gas log pilot is fitted with a millivolt generator to provide power for remote activation.

COLD CLIMATE OPTION (IPI MODELS ONLY)

NOTE: If you live in a cold climate, seal all cracks around your appliance and wherever cold air could enter the room, with noncombustible material. It is especially important to insulate the outside chase cavity between the studs and under the floor on which the appliance rests, if the floor is above ground level.

Your fireplace is equipped with an intermittent pilot ignition (IPI) control. An IPI control with a standing pilot option provides the dual benefit of an economical and environmentally responsible product and one which lights easily even in the coldest climates. When in intermittent pilot

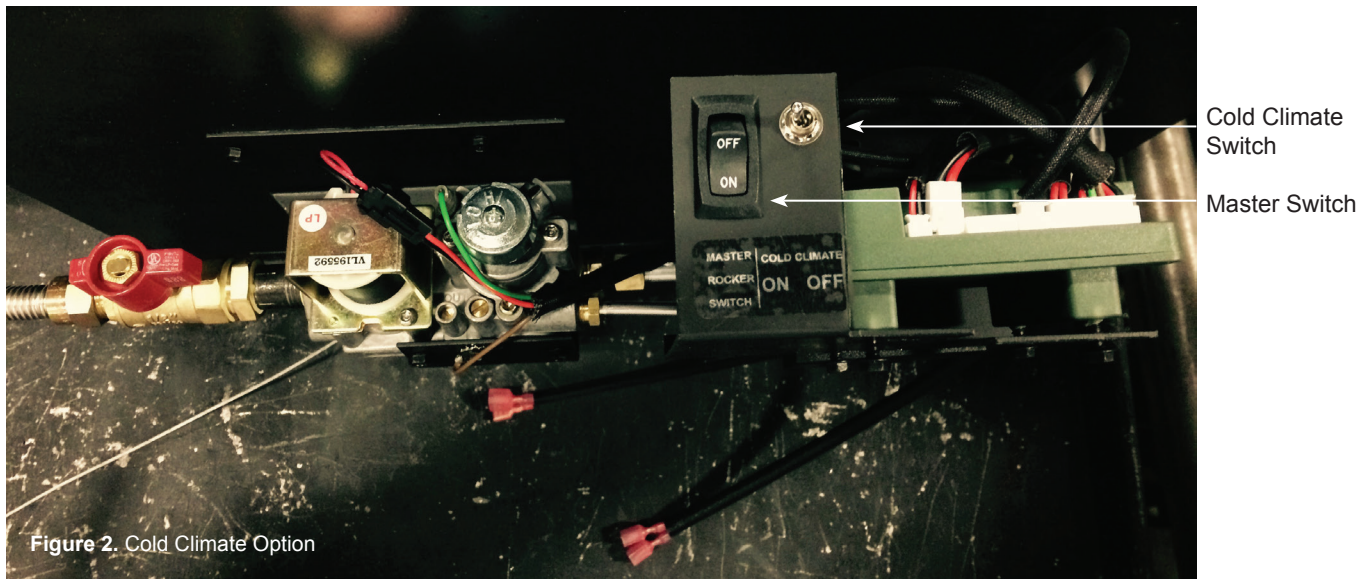


Figure 2. Cold Climate Option

mode (as it comes from the factory), your pilot remains unlit until needed, saving you fuel. Standing pilot mode, by comparison, is characterized by a continuously burning pilot. The benefit of a pilot which lights only when needed is fuel savings. However, with no pilot burning in your fireplace, units operating in colder climates may experience delayed start up or lock out. Because colder air is heavier than milder air and there is no pilot burning to maintain a warm stable temperature in your firebox, establishing a draft to aid ignition becomes difficult. This is perfectly normal but can be somewhat frustrating.

To remedy this issue, your fireplace has been designed with a cold climate pilot option, which, when active, maintains a warmer temperature inside your firebox to make ignition faster and more efficient. Operating your appliance in cold climate (aka standing) pilot mode will prohibit the need for multiple ignition attempts and will prevent the system from delaying start up or locking out.

To activate the cold climate option, simply move the cold climate toggle switch located on the right side of the black control center to the "On" (left) position. (Figure 2.) You can operate your appliance in this mode regardless of whether you are using a remote control, wall switch or thermostat.

FIREPLACE AND FRAMING DIMENSIONS

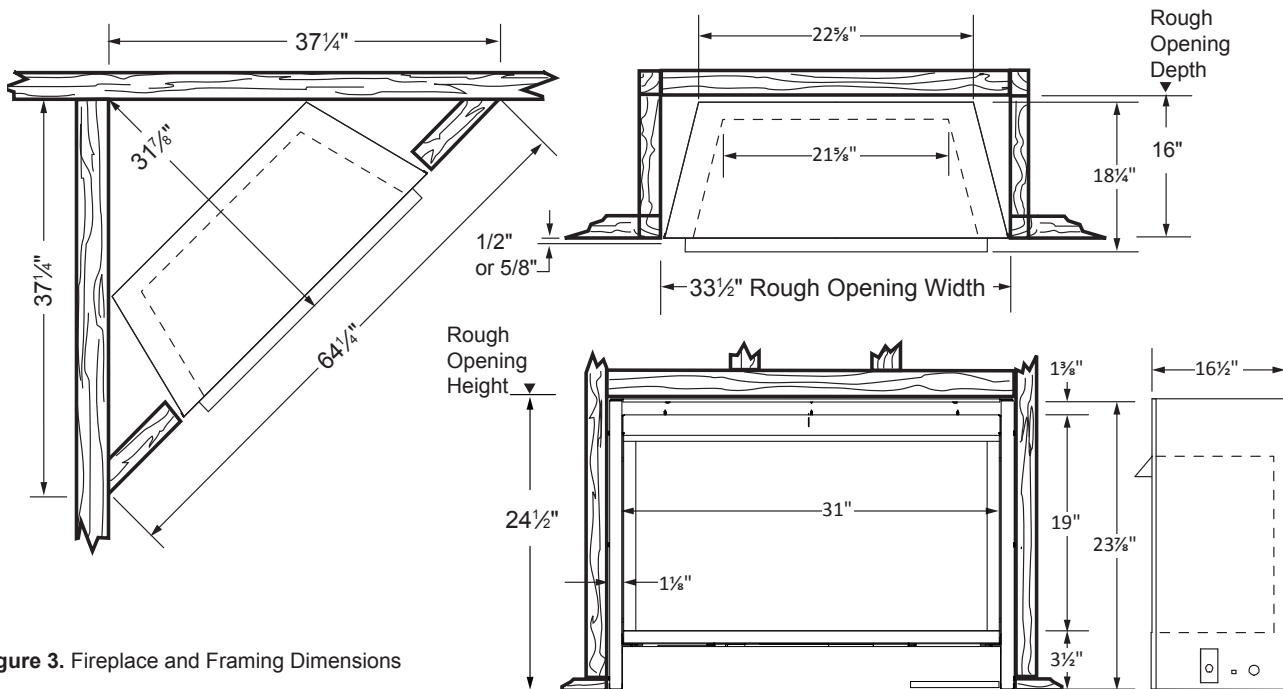


Figure 3. Fireplace and Framing Dimensions

FRAMING DIMENSIONS

If unit is to be “built in,” fireplace framing can be built before or after the appliance is set in place. **BE SURE THAT ALL PACKING MATERIAL HAS BEEN REMOVED FROM THE UNDERSIDE OF THE UNIT PRIOR TO SETTING THE FIREBOX IN PLACE.** Construct fireplace framing following Figure 3 on page 6. The framing headers may not rest directly on top of the firebox.

The fireplace may be installed directly on a combustible floor or a raised platform of an appropriate height. Do not place fireplace on carpeting, vinyl, tile or other soft floor coverings. It may, however, be placed on flat wood, plywood, particle board or other hard surfaces. Be sure fireplace rests on a solid continuous floor or platform with appropriate framing for support and so that no cold air can enter from under the firebox. Your vent-free fireplace must be mounted to the floor or the fireplace hearth.

⚠ WARNING!

- Handle the gas log burner assembly by the grate only. Do not pick the unit up by the burners.
- Gloves are recommended when handling ceramic fiber logs to prevent skin irritation from loose fibers. Logs are fragile — handle with care.

GETTING STARTED

Make sure you have received all parts
Check your packing list to verify that all listed parts have been received. You should have the following:

- Installation/Operating instructions
- 33" unvented gas heater
- Canopy
- Volcanic rock and rock wool (traditional sets only)
- Stone and fireglass kit (contemporary sets only)
- Two (2) anchoring screws
- Mounting screws for canopy

Accessories required to finish the installation:

One of two surrounds:

- VFICFSS Black small surround 32"H x 43"W
- VFICFSL Black large surround 35"H x 50"W

One of three firebox liners:

- FBVFIC(M/LR) Firebrick
- BLPVFIC Black porcelain panels
- BMGVFIC Black Magic glass panels

The millivolt controlled version of this heater is the only

style designed to be operated with optional devices for ON/OFF functions. The following options may be used with the millivolt controlled heater. These options are *not* packaged with the unit.

- Hand held Remote with Receiver
- Wall switch with 15' wire.
- Hand held Thermostat Remote with Receiver

IPI controlled versions of this unit have the following options that may be used but are not packaged with the unit.

- IPIFKN2: Stepper motor kit (NG)
- IPIFKP2: Stepper motor kit (LP)

Carefully inspect the contents for shipping damage. If any parts are missing or damaged, immediately inform the dealer from whom you purchased the appliance. Do not attempt to install any part of the appliance unless you have all parts in good condition.

⚠ WARNING! Do not install the heater:

- Where curtains, furniture, clothing, or other flammable objects are less than 42" from the front of the heater.
- In high traffic areas.
- In windy or drafty areas.

WHAT YOU WILL NEED FOR INSTALLATION

You must have the following items available before proceeding with installation:

- External regulator (for propane / L.P.G. and 1/2 lb. Natural Gas systems only)
- Piping which complies with local codes
- Sediment trap
- Tee joint
- Pipe wrench or appropriate size crescent wrench set
- Phillips head screwdriver
- Drill with 5/32" bit
- Surround
- Manual shutoff valve
- Pipe sealant approved for use with liquid propane (resistant to sulfur compounds)

⚠ WARNING!

If the area in which the heater is operated does not meet the required volume for indoor combustion air, combustion and ventilation air shall be provided by one of the methods described in the *National Fuel Gas Code, ANSI Z223.1/NFPA 54*, the *International Fuel Gas Code* or applicable local codes.

⚠ WARNING!

The dimensions shown in Figures 4 and 5 and defined in the fireplace manufacturer's instructions are *minimum clearances* to maintain when installing this heater. Left and right clearances are determined when facing the front of the heater.

Follow these instructions carefully to ensure safe installation. Failure to follow instructions exactly can create a fire hazard.

NOTE: Clearances are necessary to combustible surfaces only. No clearance is necessary for noncombustible surface.

Sidewall clearances: The clearance from the inside of the appliance to any combustible adjacent wall should no be less than 9". Figure 4.

Ceiling clearance: The ceiling must be at least 42" from the top of the firebox opening. Figure 4.

Back wall clearance: The appliance can be placed against the combustible back wall.

Floor clearance: The fireplace may not be installed onto any combustible flooring material, such as carpeting, vinyl or tile without the hearth or a minimum 22 GA (0.030") metal or a minimum 1/2" wooden base covering the entire width and depth of the base.

Mantel clearances: The canopy supplied with the unit must be installed. If a combustible mantel is installed. It must meet the clearance requirements shown in Figure 8.

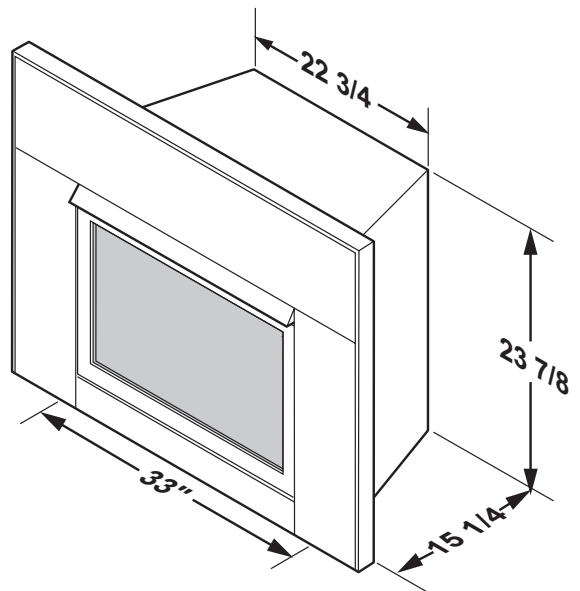


Figure 5. Dimensions for Installing in Masonry Fireplace or UL Listed Box

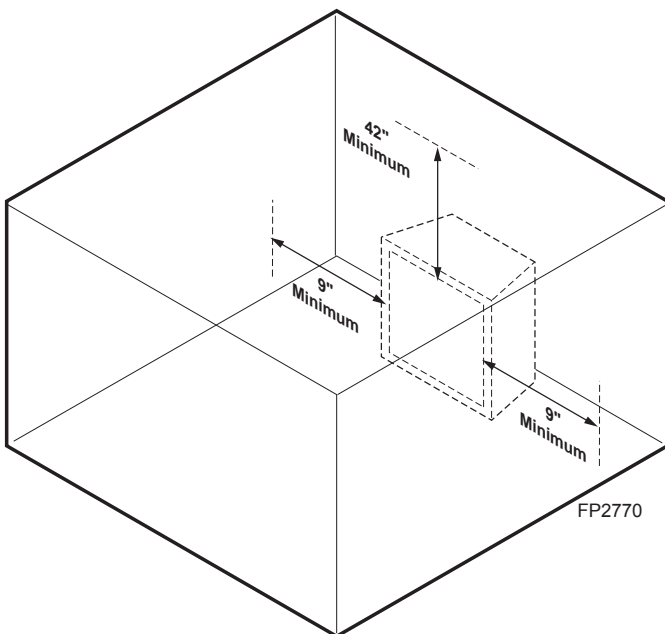
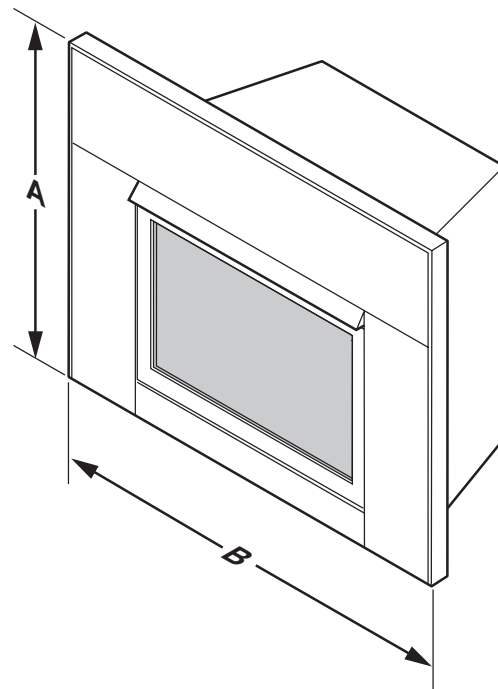


Figure 4. Sidewall and Ceiling Minimum Clearances



Surround Dimensions*		
	A	B
Small	32"	43"
Large	35"	50"

*A surround is required to complete the installation.

Figure 6. dimensions

BEFORE INSTALLING THE FIREPLACE INSERT

Have fireplace floor and chimney professionally cleaned to remove ashes, soot, creosote or other obstructions. Close and seal any fresh air vents or ash clean-out doors located on floor or wall

HEAT RESISTANT MATERIAL (MINIMUM REQUIREMENTS) WITH NO WOODEN MANTEL OR OTHER COMBUSTIBLE PROJECTION

Heat resistant material (minimum requirements) with wooden mantel or other combustible projection:

To install the heater with a wooden mantel shelf or other combustible projection above, first measure the heat resistant material shown in Figure 7.

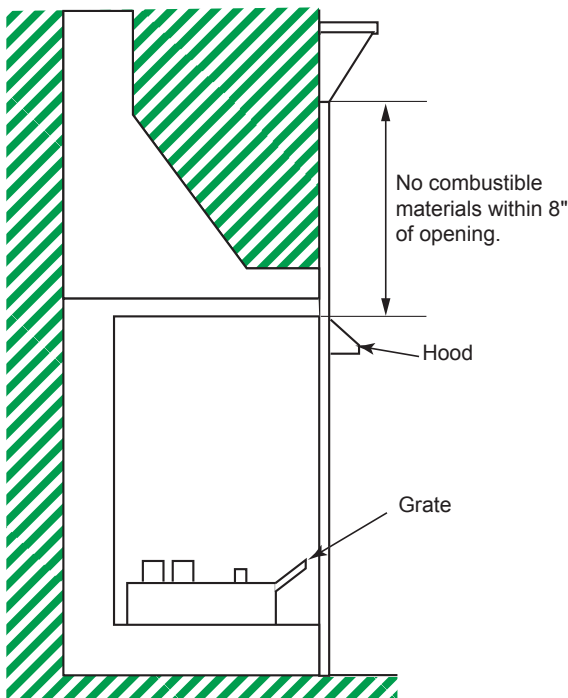


Figure 7. Measure Heat Resistant Material for Mantel

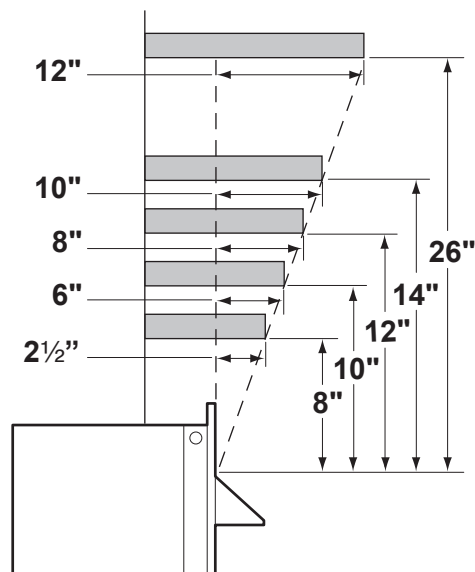


Figure 8. Minimum Mantel Clearances

Example: A mantel may project from the wall a maximum of 2½" at minimum of 8" above the opening, and a maximum of 12" at a minimum of 26" above the opening.

Figure 9. is an example of an unsafe mantel installation. The mantel projects 4" at 8" above the opening, exceeding the maximum acceptable distance of 2½". The mantel also projects 8" at 10" above the opening, exceeding the maximum acceptable distance of 6".

If your mantel profile is unsafe, you may either:

- Raise the mantel to an acceptable height or,
- Remove the mantel.

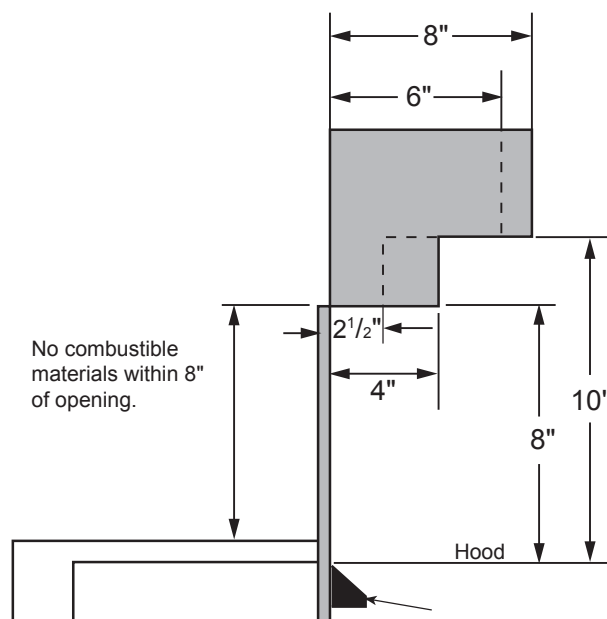


Figure 9.

The gas log heater must be installed at least 5" above any combustible flooring material, such as carpeting or tile, which is closer than 14" to the base of the fireplace. Figure 10.

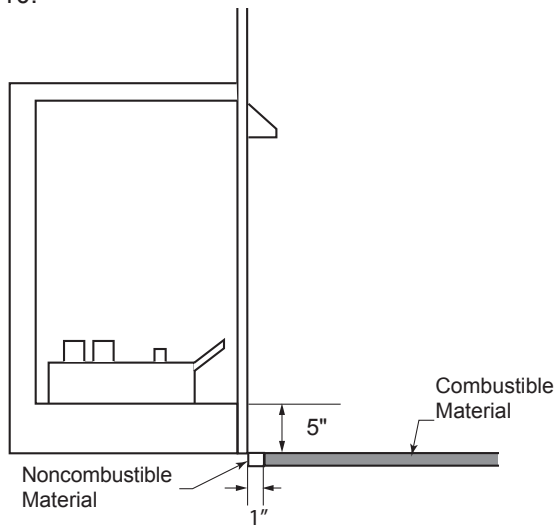


Figure 10. Minimum Clearance above Combustible Flooring

⚠ WARNING!

Do not operate the unit without the screen frame panel and canopy installed.

REMOVE SCREEN

Remove fireplace screen by pushing screen frame panel up and out. Figure 11.

NOTE: Fireplace screen must be removed to access log box and to install canopy.

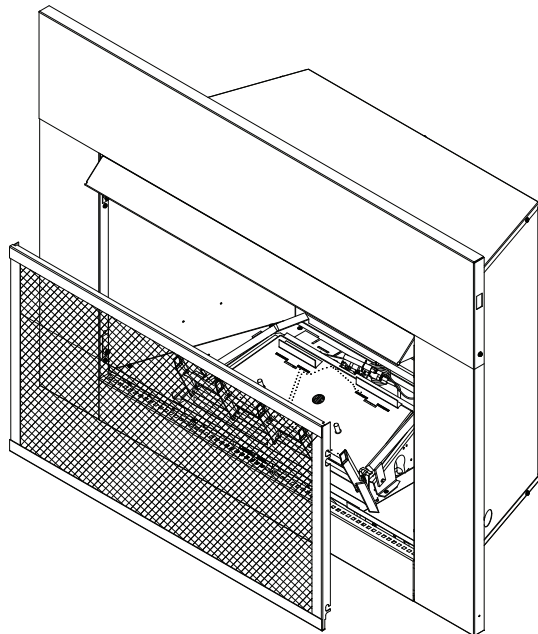


Figure 11. Remove Fireplace Screen

INSTALL CANOPY

1. Remove the fireplace screen as described in the previous section.
2. Align canopy with the holes in the top frame assembly. Figure 12.
3. Install the three (3) screws (in owner's manual packaging) which attach the canopy to the top frame assembly. Figure 12.
4. Tighten all screws. Make sure the canopy is level and secure. Install the fireplace screen.

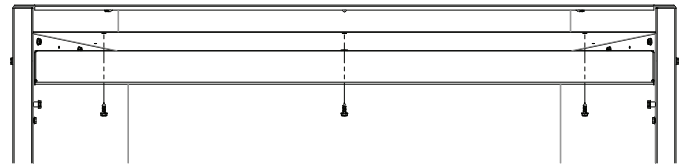


Figure 12. Install Canopy

SECURE HEATER TO FLOOR

NOTE: Clearance requirements as detailed in “Clearances and Height Requirements” section of this manual must be met before securing heater in place.

To prevent movement, the heater must be secured to the floor or hearth.

1. To remove the grate and base assembly, take out two screws as shown in Figure 13. and Figure 14.

2. Lift grate and base assembly out of the firebox.
3. Secure the firebox with two anchoring screws ($\frac{3}{16}$ " x $1\frac{1}{2}$ " length) supplied with the fireplace system. **NOTE:** If the unit is mounted on carpeting, tile or combustible material without the hearth, a metal or wooden base covering the entire width and depth of the base must be installed.

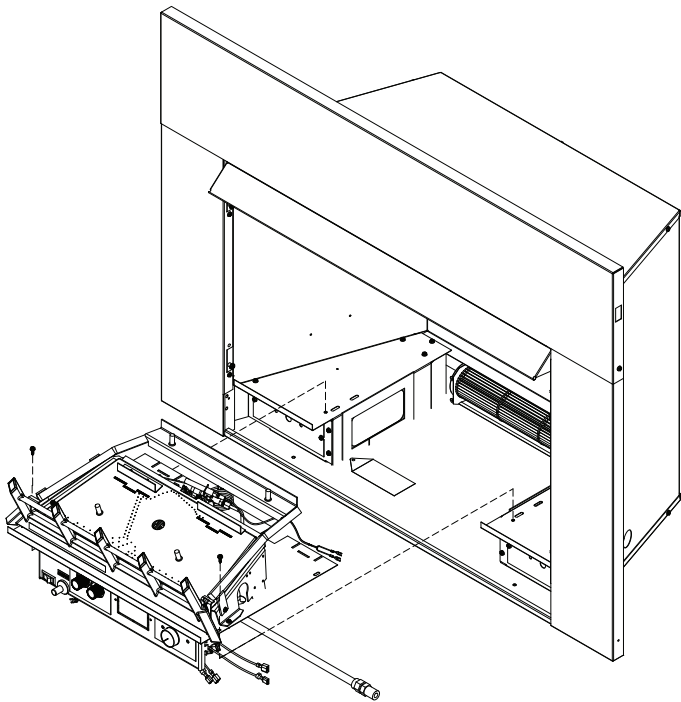


Figure 13. Remove Grate and Base Assembly (VFI33L models)

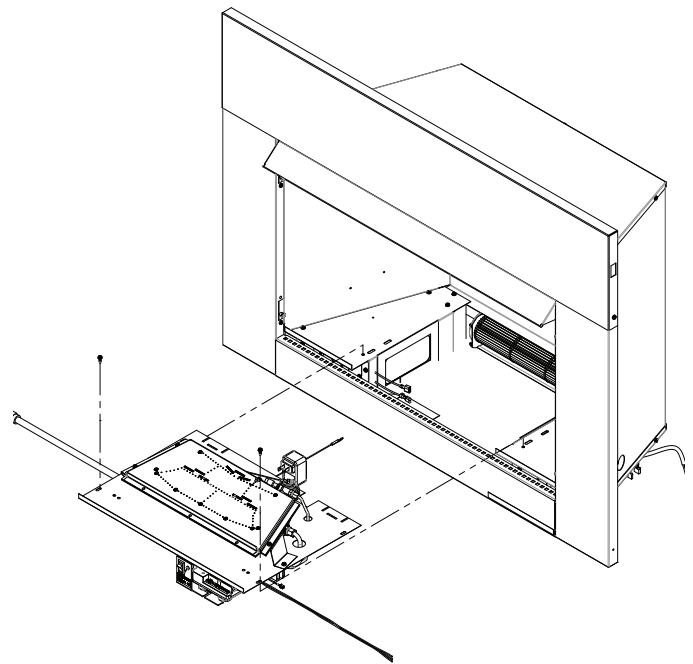


Figure 14. Remove Base Assembly (VFI33C models)

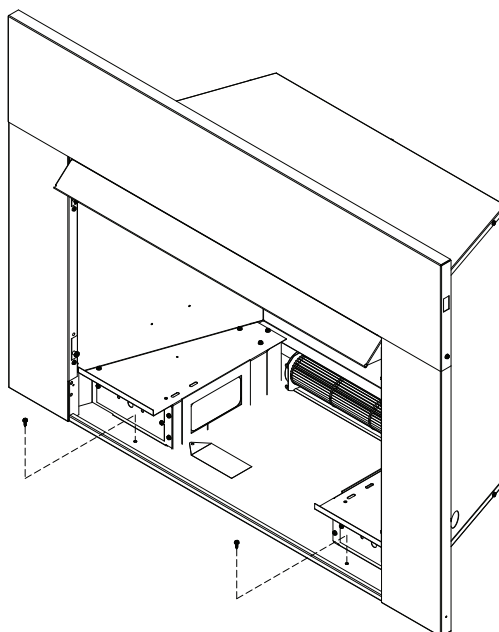


Figure 15. Secure Firebox to Floor or Hearth

CONNECTING THE GAS LINE

NOTICE: A qualified gas appliance installer must connect the heater to the gas supply. Consult all local codes.

⚠ WARNING!
 Use new black iron or steel pipe. Internally tinned copper or copper tubing can be used per National Fuel Code, section 2.6.3, providing gas meets hydrogen sulfide limits, and where permitted by local codes. Gas piping system must be sized to provide minimum inlet pressure (Listed on Data Plate) at the maximum flow rate (BTU/hr). Undue pressure loss will occur if the pipe is too small. A manual shutoff valve must be installed upstream of the appliance. Union tee and plugged 1/8" NPT pressure tapping point should be installed upstream of the appliance. Figure 16.

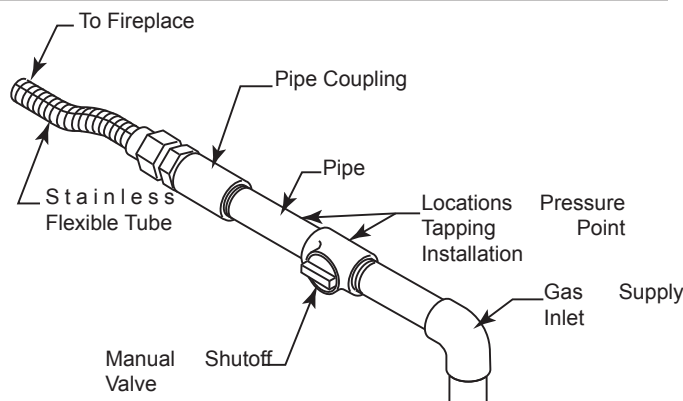


Figure 16. Gas Connection

IMPORTANT: Loosen the pipe adapter on the flex tube before installing to the system piping.

Always use an external regulator for all propane/LPG heaters only, to reduce the supply tank pressure to a maximum of 13" w.c. This is in addition to the internal regulator in the heater valve.

⚠ WARNING!
CHECK GAS TYPE: The gas supply must be the same as stated on the heater's rating plate. If the gas supply is different, **DO NOT INSTALL THE HEATER.** Contact your dealer for the correct model. Connecting to the wrong gas type may result in property damage or personal injury.

⚠ WARNING!
 Connecting directly to an unregulated propane/LPG tank can cause an explosion

To reach factory installed flex line, go through access door on right or left side of firebox.

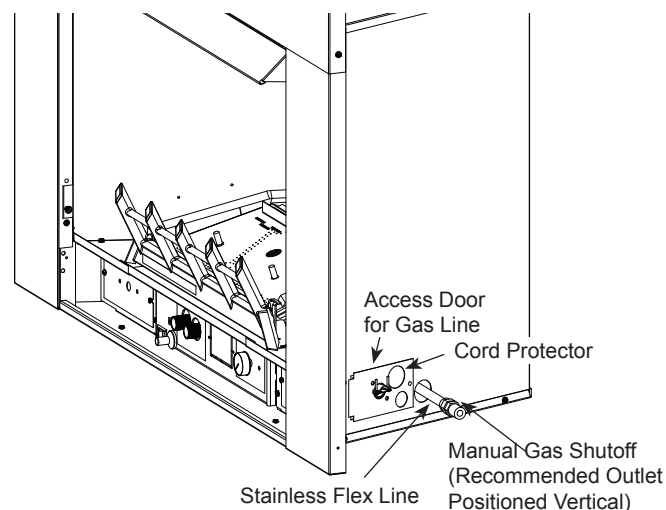


Figure 17. Access Holes

The stainless flex line is on the right side facing the fireplace and can connect to either a 3/8 NPT female or 1/2 NPT male pipe. To connect from the opposite side, route the pipe under the rear portion of the unit.

Test all gas joints from the gas meter to the heater valve for leaks using a gas analyzer or soap and water solution after completing connection. **DO NOT USE AN OPEN FLAME.**

Check the gas pressure with the appliance burning and the control set to **HIGH.**

Open control access door on either side of unit to find valve and regulator referred to below. Figure 17.

CHECKING GAS PRESSURE: – MILLIVOLT CONTROL

Figure 18.

The valve regulator controls the burner pressure which should be checked at the pressure test point.

Turn captured screw counter clockwise two or three turns and then place tubing to pressure gauge over test point (Use test point “OUT” closest to control knob). After taking pressure reading, be sure and turn captured screw clockwise firmly to re-seal. Do not over torque. Check for gas leaks.

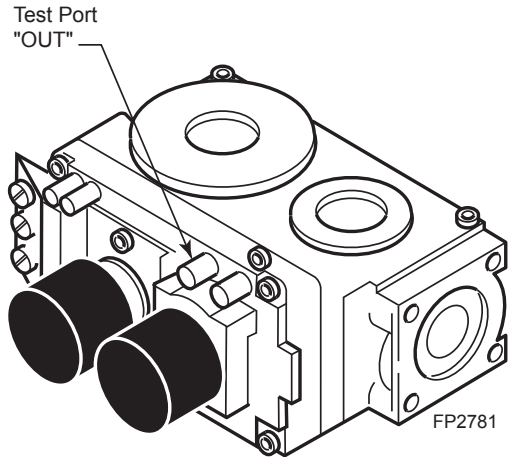


Figure 18. Pressure Test Point Location Millivolt Control

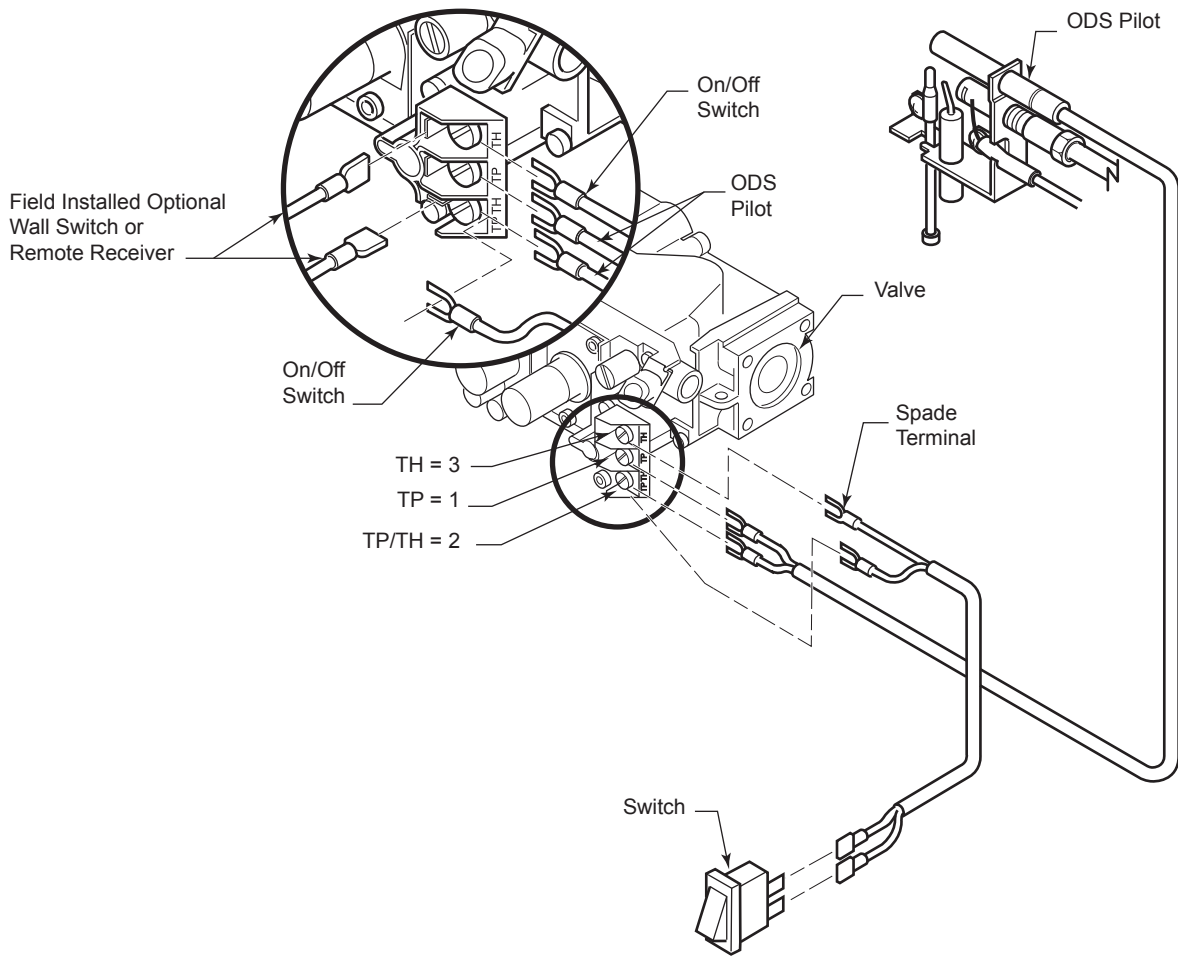


Figure 19. Wiring Diagram

⚠ WARNING!
 Label all wires prior to disconnection when servicing controls. Wiring errors can cause improper and dangerous operation. Verify proper operation after servicing.

⚠ WARNING!
 Do NOT connect wall switch to 110 V circuit.

The millivolt valve is a self-powered combination gas control **THAT DOES NOT REQUIRE 110V AC TO OPERATE.** Refer to Figure 19. and installation instructions provided with optional wall switch, thermostat or remote control for wiring instructions. A maximum length of 15 feet of 18awg two conductor wire is to be used for wall switch or thermostat installations.

NOTE: Thermostats and switches must be suitable for millivolt operation.

CONNECT OPTIONAL WALL SWITCH OR THERMOSTAT

1. Use 18 awg, two-wire cable, 15 feet maximum length.
2. At one end of the cable, connect both wires to the wall switch or thermostat. At the other end, connect one wire to TP/TH and one wire to TH, or connect the wall switch/thermostat to the two male (0.25") terminals on the left side of the unit. The color of the wires does not matter.

CONNECT REMOTE RECEIVER
THESE INSTRUCTIONS SUPERCEDE THE SECTION ENTITLED “HEARTH MOUNT” IN THE MILLIVOLT HAND-HELD REMOTE INSTRUCTIONS SUPPLIED WITH THE REMOTE.

Figure 20.

1. Remove bottom control door.
2. Connect the remote connector wires located in the unit to the remote receiver.
3. Stick Velcro® pads with self-adhesive backing to bottom of remote receiver and to floor of compartment behind access panel.
4. Attach remote receiver to firebox with Velcro® pads. Control switch must face forward.

NOTE: Do not place remote in combustion chamber, only the remote receiver.

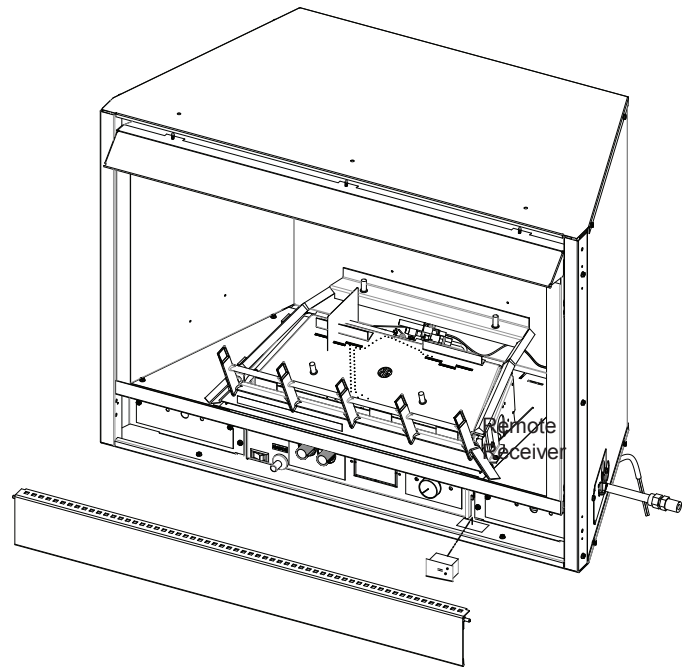


Figure 20. Install Remote Receiver

CHECK SYSTEM OPERATION

The millivolt system and individual components may be checked with a millivolt meter having a 0-1000 mV range. Conduct each check shown in chart below by connection meter test leads to terminals as indicated.

A. COMPLETE MILLIVOLT SYSTEM CHECK

(“A” Reading: Thermostat contacts CLOSED, control knob “ON,” main burner should turn ON)

- a. If the reading is more than 100 millivolts and the automatic valve still does not come on, replace the control.
- b. If the closed circuit reading (“A” reading) is less than 100 millivolts, determine cause for low reading, proceed to Section B below.

B. Thermopile Output Reading Check

(“B” Reading: Thermostat contacts OPEN, main burner OFF)

1. Check gas pressure to the unit. If gas pressure is within minimum and maximum on data plate, then check pilot voltage, 325 millivolts minimum. If the minimum millivolt reading is not obtainable, replace pilot.

Check Test	To Test	Connect Meter Leads to Terminals	Switch or Thermostat Contacts	Meter Reading Should Be
A	Complete System	2 & 3	Closed	Closed
B	Thermopile Output	1 & 2	Open	Open

FOR YOUR SAFETY READ BEFORE LIGHTING**⚠ WARNING!**

If you do not follow these instruction exactly, a fire or explosion may result causing property damage, personal injury or loss of life.

- A. This appliance is equipped with a pilot which must be lit with built-in piezo ignitor while following these instructions exactly.
- B. BEFORE OPERATING smell all around the appliance area for gas. Be sure to smell next to the floor because some gas is heavier than air and will settle on the floor.

WHAT TO DO IF YOU SMELL GAS:

- Turn off all gas to the appliance.
 - Open windows.
 - Do not attempt to light any appliance.
 - Do not touch any electric switch; do not use any phone in your building.
 - Immediately call your gas supplier from a neighbor's phone. Follow the gas supplier's instructions.
 - If you cannot reach your gas supplier, call the fire department.
- C. Use only your hand to push in, or turn the gas control knob. Never use tools. If the knob will not push in or turn by hand, don't try to repair it. Call a qualified service technician. Force or attempted repair may result in a fire or explosion.
 - D. Do not use this appliance if any part of it has been under water. Immediately call a qualified service technician to inspect the appliance and to replace any part of the control system and any gas control that has been under water.

LIGHTING PILOT FOR THE FIRST TIME**INITIAL LIGHTING**

Purge air from the supply line as follows:

- Open main shutoff valve.
- Unscrew main pressure test point.
- Leave inlet test screw open until gas comes in.
- When gas is flowing, tighten inlet screw immediately.

⚠ WARNING!

NEVER use open flame to check for gas leaks.

LEAK TESTING

1. Follow the pipe from the gas supply line connection to the gas valve. Check connection for leaks with soap and water mixture.
2. Next check for gas leaks at the burner with soap and water mixture.
3. Check the pilot for gas leaks with soap and water mixture.

LIGHTING PILOT FOR THE FIRST TIME

APPROVED LEAK TESTING METHOD

You may check for gas leaks with the following methods only:

- Soap and water solution
- An approved leak testing spray
- Electronic sniffer

NOTE: Remove any excessive pipe compound from the connections. Excessive pipe compound can set off electronic sniffers.

⚠ WARNING!
NEVER use open flame to check for gas leaks.

⚠ WARNING!
If using a soap and water solution to test for leaks, DO NOT spray solution onto control body.

Check for gas leaks in each of the following locations:

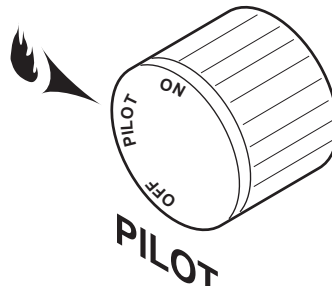
- Pipe from the gas supply line connection to the gas valve
- Burner connections
- Pilot
- Each joint or connection
- Field made joints / gas shutoff valve
- Factory made joints
- All joints on valve and control body

LIGHTING PILOT

⚠ WARNING!
The control has an interlock device that does not allow the lighting of the fireplace up to the moment the safety device of the flame has not interrupted the gas flow. After that period of time (when the magnet is closed), it is possible to start the lighting operation. The gas control knob is designed to be operated by hand. DO NOT use any tools during this operation. Damaged knobs may result in serious injury.

1. Depress and turn knob counterclockwise ↶ to pilot position.
2. Depress fully and hold pilot gas knob. Depress piezo igniter as many times as needed to ignite pilot. Keep knob fully depressed for a few seconds. Release and check that pilot continues to burn.

If the pilot does not stay lit, repeat steps 1 and 2.



Pilot Position

Continued on next page

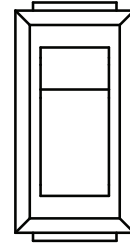
LIGHTING BURNER

LIGHTING THE BURNER

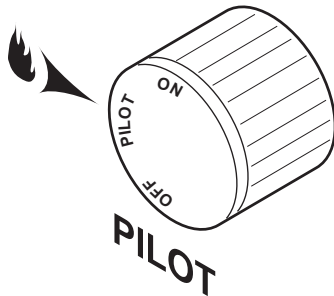
Depress and turn the knob counterclockwise ↶ to the “ON” position. It will take less than four (4) seconds for the burner to ignite.

MAIN BURNER SWITCH

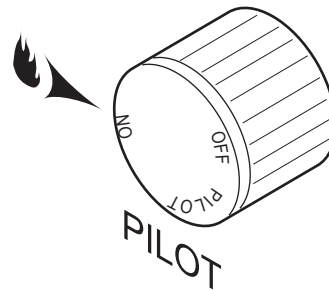
This switch allows you to turn on and to turn off the main burner without using the gas valve knob. It is in the “ON” position to light the main burner.



Wall Switch



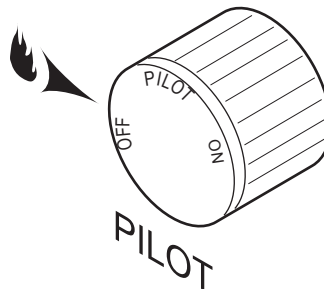
Pilot Position



On Position

TO TURN OFF GAS

Depress and turn knob clockwise ↷ to “OFF” position.



Off Position

CHECK GAS PRESSURE – IPI

1. Check gas type. The gas supply must be the same as stated on the appliance’s rating decal. If the gas supply is different from the fireplace, **STOP!** Do not install the appliance. Contact your dealer immediately.
2. To facilitate easier installation, a 18" (610 mm) flex line with manual shut-off valve has been provided with this appliance. Install and attach 1/2" gas line onto shut-off valve.
3. After completing gas line connection, purge air from gas line and test all gas joints from the gas meter to the fireplace for leaks. Use a solution of 50/50 water and soap solution or a gas sniffer.
4. To check gas pressures at valve, turn captured screw counter clockwise 2 or 3 turns and then place tubing to pressure gauge over test point. Turn unit to high. Figure 21. After taking pressure reading, be sure and turn captured screw clockwise firmly to reseal. Do not over torque. Check test points for gas leaks.

⚠ WARNING!
DO NOT use open flame to check for gas leaks.

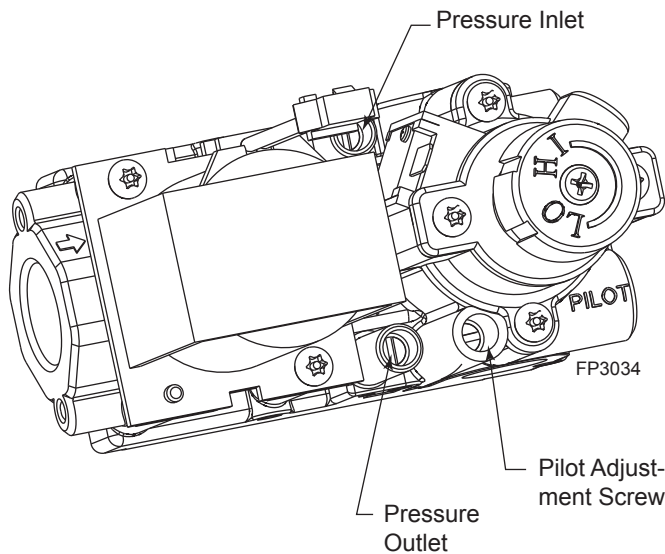


Figure 21. IPI Valve

⚠ CAUTION!
Label all wires before disconnecting when servicing controls. Wiring errors can cause improper and dangerous operation.

⚠ WARNING!
DO NOT connect to a 110V circuit.

⚠ WARNING!
Electrical connections should only be performed by a qualified, licensed electrician. Main power must be off when connecting to main electrical power supply or performing service. All wiring shall be in compliance with all local, city and state codes. The appliance, when installed, must be electrically grounded in accordance with local codes or in the absence of local codes, with the National Electrical Code ANSI/NFPA 70 (latest edition) and Canadian Electrical Code, CSA C22.1.

ELECTRICAL WIRING

General

This fireplace is equipped with an IPI control valve which operates on 6 volts. The 6 volt DC adapter plugs into the fireplace junction box A/C power supply.

It is equipped with a battery back-up which will operate the unit for approximately 48 hours in the event of a power failure using on/off function only. Use of high/low function will reduce battery life while in back-up mode.

Optional Accessories

This fireplace may be used with a wall switch, wall mounted thermostat or IPI hand held remote control.

JUNCTION BOX WIRING

1. This should be done before framing the fireplace. Wire the receptacle into an electrical circuit. Wire with minimum 60° C wire in accordance with prevailing codes.
2. Remove the external junction box cover by removing the screw from the side of the outside firebox wall. Junction box was installed at the factory.
3. The junction box cover has a factory installed “romex” style strain relief connector. After connecting the wires, route the wire leads through this connector. Refer to the wiring diagram in Figure 22.

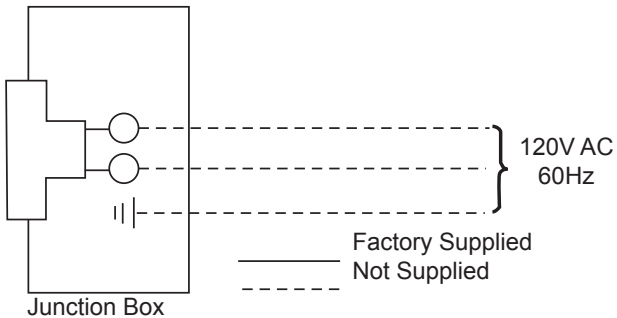


Figure 22. Junction Box Wiring Diagram

WALL SWITCH INSTALLATION

The wall switch wire connection is located off the wire harness coming out of the IPI Control Board. The label is wired 'wall switch'. Connect the low voltage switch wires to the two (2) terminals labeled "wall switch" from the control

board. Run wire to desired location on wall. Up to 50 feet of 18 gauge wire may be used if necessary. Attach wires to wall switch. Mount the wall switch in a junction box and screw on cover. Figure 23.

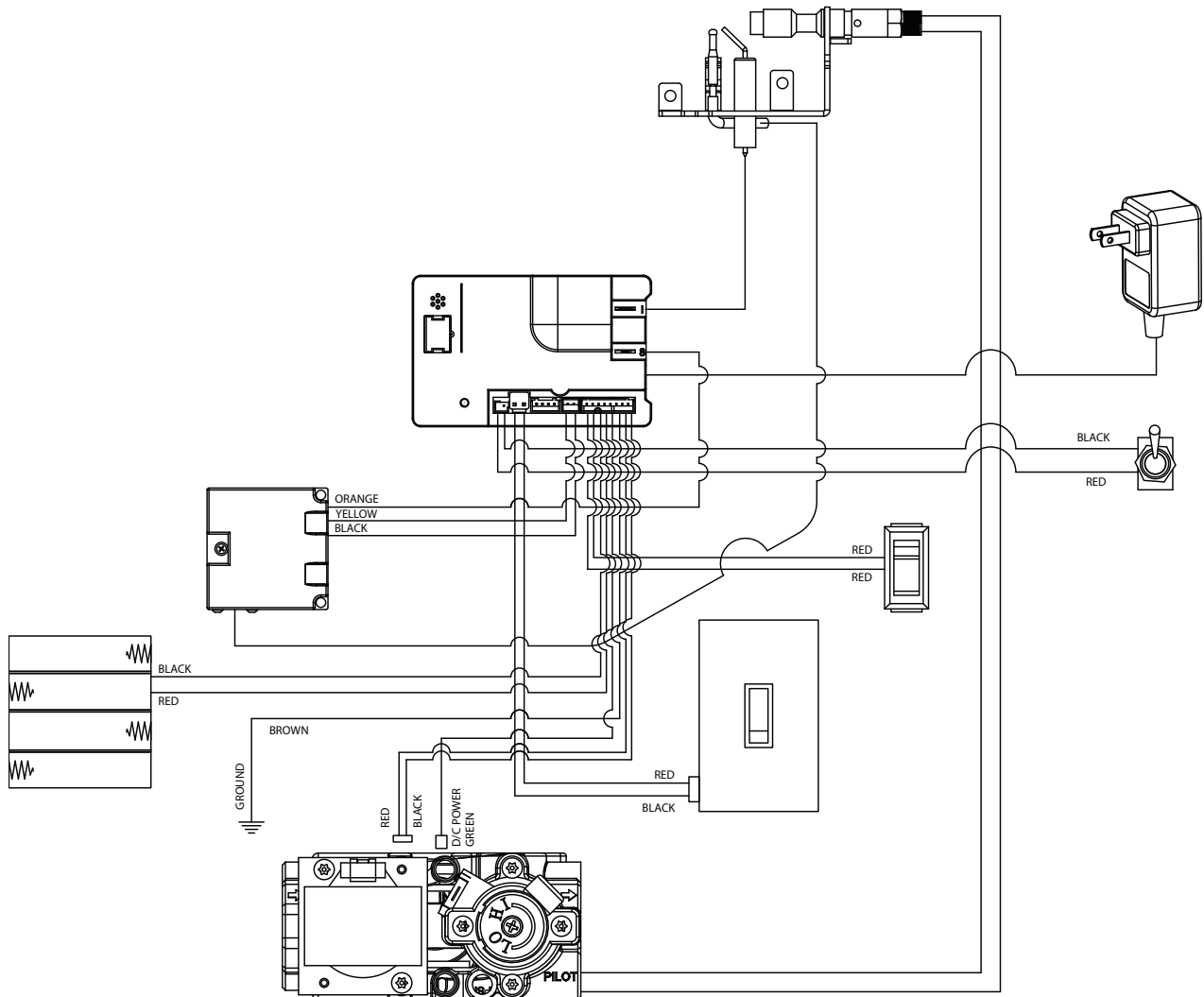
IPI SYSTEM WIRING DIAGRAM

Figure 23. IPI System Wiring Diagram

⚠ CAUTION!

Electrical connections should only be performed by a qualified, licensed electrician. Main power supply must be turned off before connecting fans to the main electrical power supply or performing service.

FOR YOUR SAFETY READ BEFORE LIGHTING

⚠ WARNING!

If you do not follow these instructions exactly, a fire or explosion may result causing property damage, personal injury or loss of lie.

- A. This appliance is equipped with an ignition device which automatically lights the pilot. Refer to the instructions.
- B. BEFORE OPERATING smell all around the appliance area for gas. Be sure to smell next to the floor because some gas is heavier than air and will settle on the floor.

WHAT TO DO IF YOU SMELL GAS:

- Do not attempt to light any appliance.
 - Do not touch any electric switch; do not use any phone in your building.
 - Immediately call your gas supplier from a neighbor's phone. Follow the gas supplier's instructions.
 - If you cannot reach your gas supplier, call the fire department.
- C. Turn Master Switch to ON position by hand. Never use tools. If the switch will not function by hand, do not try to repair it. Call a qualified service technician. Force or attempted repair may result in a fire or explosion.
 - D. Do not use this appliance if any part of it has been under water. Immediately call a qualified service technician to inspect the appliance and to replace any part of the control system and any gas control that has been under water.

OPERATING INSTRUCTIONS

1. **STOP!** Read the safety information above.
2. This appliance is equipped with an ignition device which automatically lights the burner. Do not try to light the burner by hand.
3. Wait five (5) minutes to clear out any gas. Then smell for gas, including near the floor. If you smell gas, **STOP!** Follow "B" in the safety information above. If you do not smell gas, go to next step.
4. Press the wall switch to the "ON" (-) position. Sparker will spark and pilot flame will light.
5. Once pilot flame is established, the main burner flame will light automatically.
6. If the pilot will not stay lit after several tries, turn the master switch to "OFF" and call your service technician or gas supplier.



Wall Switch



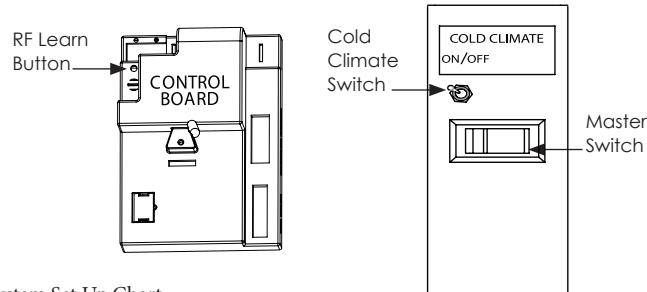
Master Switch

TO TURN OFF GAS TO APPLIANCE

1. Turn Wall Switch to "OFF".
2. Turn Master Switch to "OFF".
3. Turn off all electrical power to the appliance if service is to be performed.



OPERATIONS AND INDICATIONS



System Set Up Chart

NOTE: When using ON/OFF wall switch, the master switch, located in bottom of fireplace must be in the ON position to perform all configuration setup operations.

FUNCTION	OPERATION	DEFAULT SETTING
Cold Climate Pilot On/Off	Flip the toggle switch to ON.	OFF

Operations

FUNCTION	OPERATION
Power Up	Flip the Master Switch to ON position to power up the system.
Fireplace On	Turn on wall switch to turn the fireplace on. NOTE: If master switch was just switched to ON, then at first use of wall switch, it may need to be turned ON - OFF - ON to synchronize the two switch settings.
Fireplace Off	Turn the wall switch to the OFF position, or turn the ON/OFF master switch to the OFF position

Self Diagnostics Chart

The fireplace has a self diagnostic LED on the control board enabling you to troubleshoot problems and potentially avoid a service call. Please refer to the chart below for indicator reference.

FUNCTION	OPERATION
Control Board Chip Cover Missing	One RED (1 time)
Spark Fail	Two RED (1 time)
No Sensor Signal	Three RED (1 time)
Pre-purge	Four RED (1 time)
Trial Lockout	One GREEN, every 2 seconds (until manual reset)
Flames Loss Lockout	One RED-GREEN, every 2 seconds (until manual reset)
AC Power On	GREEN Solid

Remote Operations

The following functions are available on the RMSC hand held remote.
NOTE: Flame height control is only available with purchase and installation of a stepper motor kit with RF receiver

REMOTE FUNCTION	OPERATION	ICON
Fireplace On	Press the ON button on the transmitter.	
Fireplace Off	Press the OFF button 3 times or hold the OFF button 3 seconds for memory off.	
Flame Height Up	Press the ON button once to turn on the fireplace with maximum flame setting.	
Flame Height Down	Press the OFF button to lower the flame height to medium and low.	
Count Down Timer Mode	Press TIMER button to enter the timer mode. Keep pressing the TIMER button to set the desired time or press TIMER button to "0" to exit timer mode.	

⚠ WARNING!

This fireplace has a three-prong, grounded electrical plug. This plug helps protect you against electrical shock. Only connect plug to a properly grounded, three-prong receptacle. Do not cut or remove the grounded prong from this plug.

⚠ WARNING!

Never attempt to service heater while it is plugged in, operating, or hot. Burns and/or electrical shock could result.

IMPORTANT: Always check local building codes. The installation must comply with local regulations as well as the national electric codes.

If any of the original wire as supplied with the fireplace must be replaced, contact dealer for proper replacement wiring harness. (Refer to parts list for correct part number). 120 volts, 60Hz, 1 amp.

Electrical power cord (plug) can be routed to exit the VFI33 on either the left side or the right side. Remove cord protector from side of unit, route power cord through hole opposite side. Reinstall cord protector.

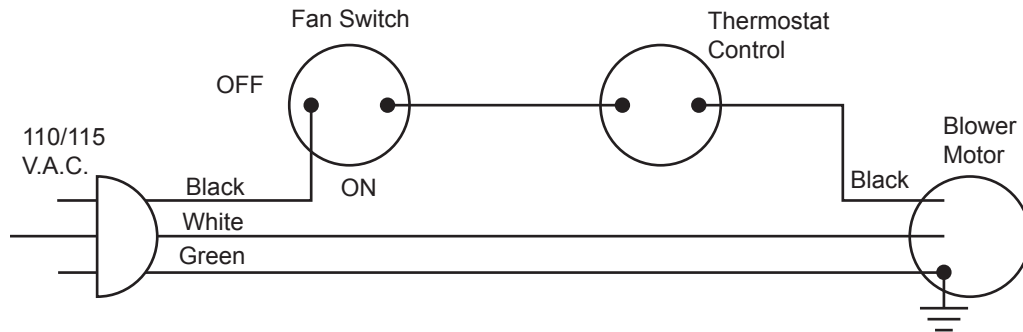


Figure 24. VFI Wiring Diagram

⚠ WARNING!

The positioning of the logs is critical to the safe and clean operation of this heater. Sooting and other problems may result if the logs are not properly and firmly positioned in the appliance. Never add additional logs or embellishments such as pine cones, vermiculite or rock wool to the heater. Only use the logs and 2G-RW rock wool (for NB18) supplied with the unit.

Failure to position the parts in accordance with diagrams below or to use parts not specifically approved for this heater may result in property damage or personal injury.

BEFORE YOU BEGIN

This unit comes with the option of five (5) different log sets. Three (3) refractory options:

- KW18-R
- HO18-R
- BO18-R

Two (2) ceramic fiber option:

- HO18-F
- BO18-F

You must select the log set for this installation.

Do not handle these logs with your bare hands. **Always wear gloves to prevent skin irritation from ceramic fibers.** After handling the logs, wash your hands gently with soap and water to remove any traces of fibers.

CAST IRON GRATE INSTALLATION

Install the cast iron grate by inserting screw head on back of right side of grate into the "I" shaped slot on front right corner of unit. After moving screw head to the bottom of the "I" slot, insert the screw head on the back of the left side of grate into the keyhole slot on the left front of unit. Figure 25.

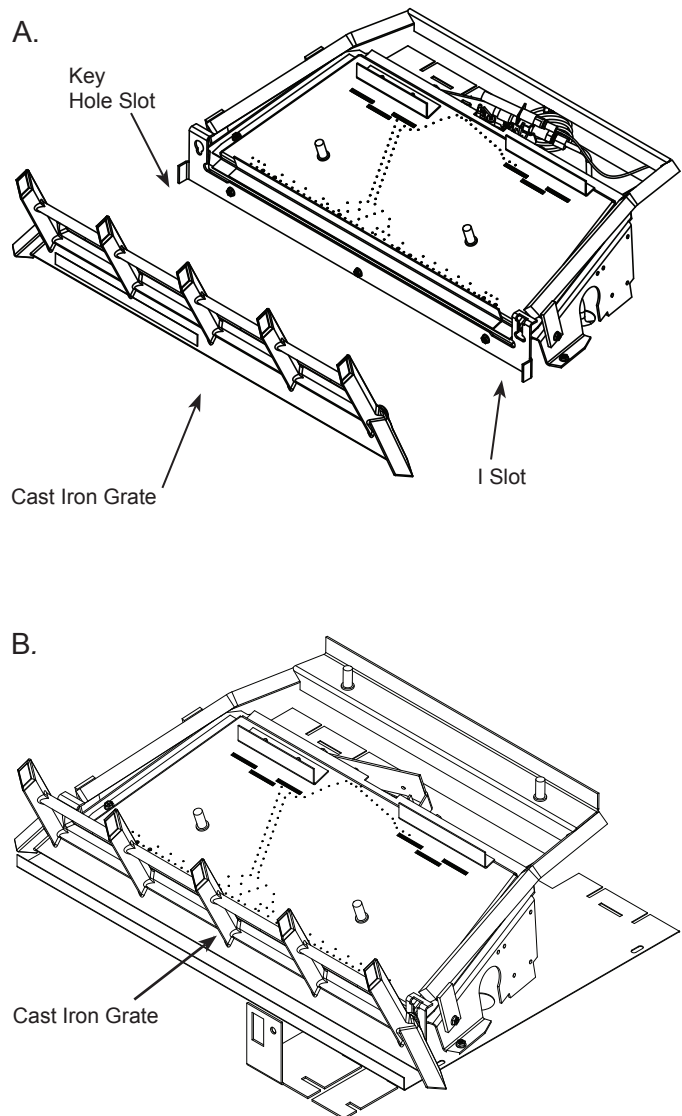


Figure 25. Install Cast Iron Grate

ROCK WOOL PLACEMENT

Before installing logs, place rock wool in dime size pieces evenly over small burner ports starting in the rear of the burner going towards the front. Avoid placing rock wool on slots on each side of rear burner and on large yellow flame ports on front of burner. After covering small burner ports, discard any excess rock wool. Figure 26.

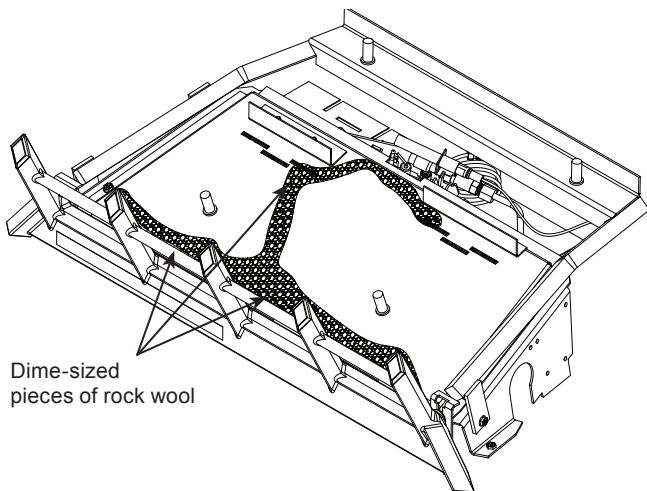


Figure 26. Place Rock Wool

⚠ CAUTION!

- Use only rock wool provided with log set.
- Do not add additional rock wool.

LOG PLACEMENT

BERKLEY OAK LOGS

INSTALL 18" (F, R) BERKLEY OAK LOGS ON NATURAL BLAZE BURNER)

1. Place the #1 log (the “chunk”) on the grate bar right side of the burner adjacent to the controls. Figure 27.

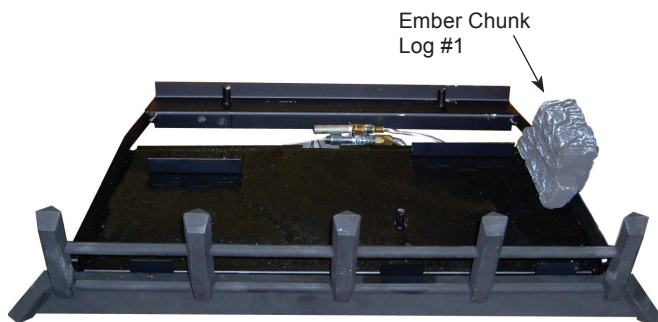


Figure 27. Place Ember Chunk Log #1

2. Place front right log (#2) on right pin located on burner and right grate bar. Figure 28. Slide log #1 forward so that it is tight against log #2.



Figure 28. Place Right Front Log #2

3. Place right rear log (#3) on pin located on rear support bracket and rest left side of log on front right log. Figure 29.

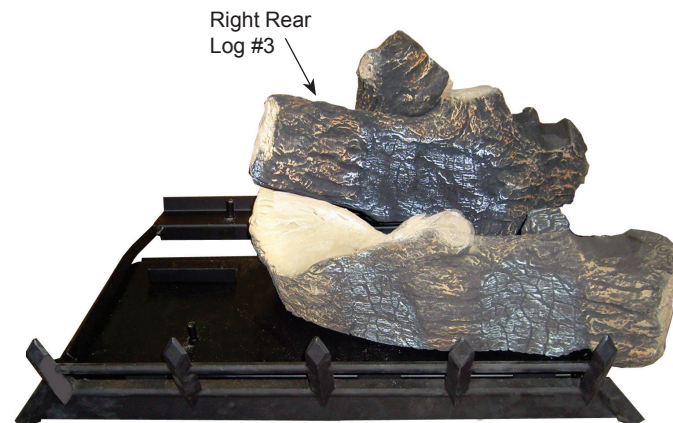


Figure 29. Place Right Rear Log #3

4. Place left rear log (#4) on pin located on rear support bracket on left side. Figure 30.

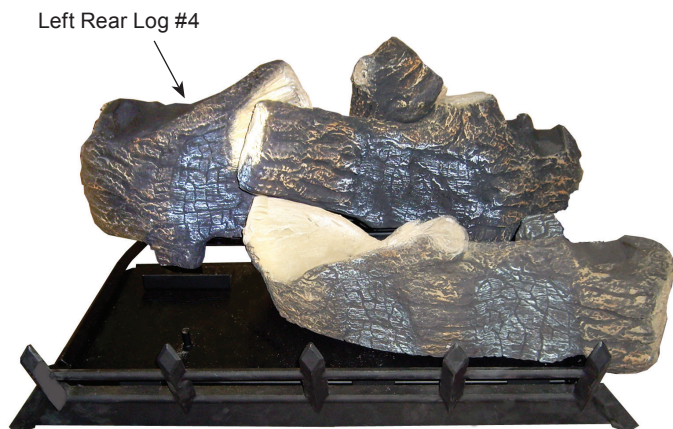


Figure 30. Place Left Rear Log #4

LOG PLACEMENT

left grate bar. Rest top right portion of log on right front log. Figure 31.

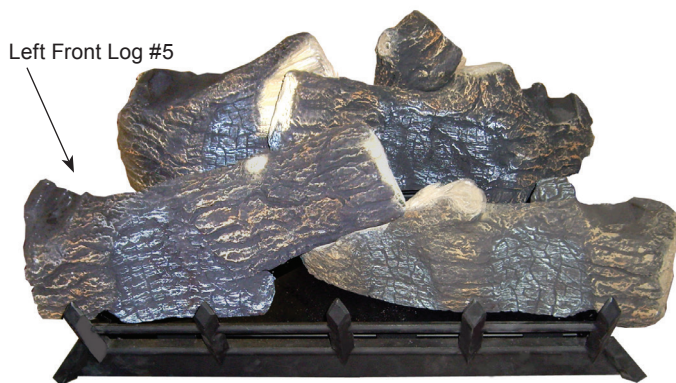


Figure 31. Place Left Front Log #5

6. Place top left log (#6) on unit by placing grooved portion of log onto left grate bar with bark facing outward. Rest front part of log in groove on left front log. Figure 32.



Figure 32. Place Middle Left Log #6

7. Place left top log (#7) on left rear log (#4) and left front log (#5) using locating grooves on bottom of #7 and locating blocks on logs #4 and #5. Figure 33.
8. Place right top log (#8) onto right rear (#3) and right front (#2) logs using locator on bottom of right top log. Figure 33.

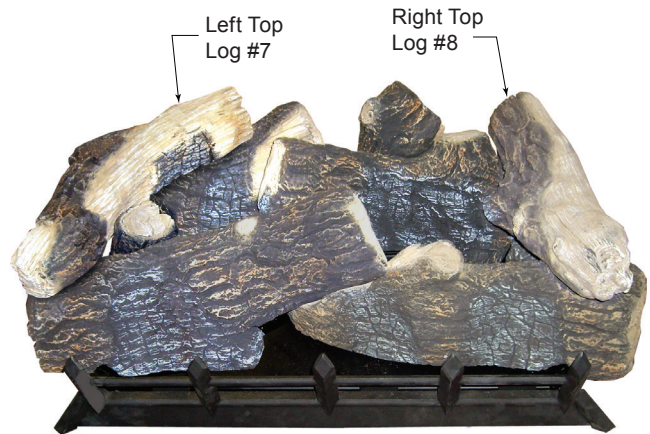


Figure 33. Place Right Top Log #8

PLACE THE DECORATIVE ROCK

Optional volcanic rock may be placed around the unit on the floor of the firebox. Be sure to avoid any areas on the burner itself.

⚠ CAUTION!

DO NOT sprinkle volcanic rock on the logs, around the pilot, or on or near burners. This may cause sooting. Place volcanic rock only on the floor of the fireplace.

During initial operation of the new heater, new burning logs and/or rock wool will give off a paper burning smell and orange flames will be present. Simply open the windows for a few hours to vent the odor.

HIGHLAND OAK LOGS

INSTALL 18", (F,R) HIGHLAND OAK LOGS ON NATURAL BLAZE BURNER

1. Place the #1 log (the "chunk") on the grate bar right side of the burner adjacent to the controls. Figure 34.

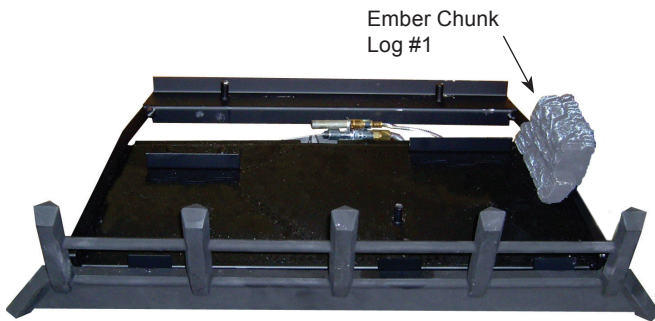


Figure 34.

2. Place front right log (#2) on right pin located on burner and right grate bar. Figure 35. After placing front right log, ensure log is fully upright and tilting towards the back of the burner.

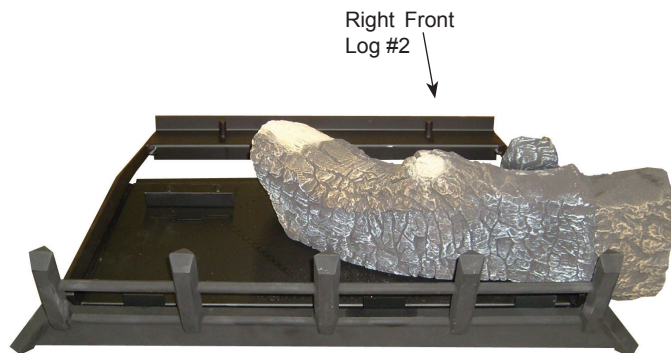


Figure 35.

3. Place right rear log (#3) on pin located on rear support bracket and rest left side of log on front right log. Figure 36. After placing right rear log, ensure log is fully upright and does not tilt forward. Slide #1 log ember chunk back to contact right rear log.
4. Place left rear log (#4) on pin located on rear support



Figure 36.

5. Place left front log (#5) on left pin located on burner and bracket on left side and left grate bar. Figure 37.



Figure 37.

6. Place top left log (#6) on left rear log (#4) and left front log (#5) using locating grooves on bottom of #6 and left grate bar. Rest top right portion of log on right front log. Figure 38.

6. Place top left log (#6) on left rear log (#4) and left front log (#5) using locating grooves on bottom of #6 and



Figure 38.

LOG PLACEMENT

locating blocks on logs #4 and #5. Figure 39.

7. Place right top log (#7) on right rear log (#3) and right front log (#2) using locators on the bottom of log #7 and locators on logs #2 and #3. Figure 39.
8. Place small right front top log (#8) on log #7 and log #2 using locating grooves on the bottom of log #8 and

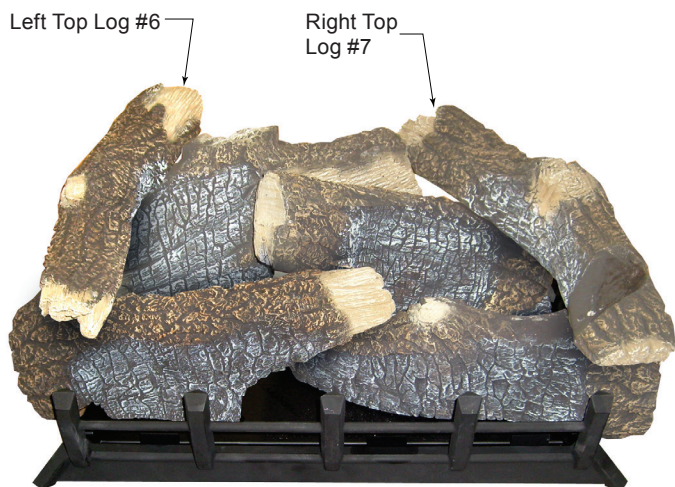


Figure 39.

locating blocks on log #7 and log #2. Figure 40.



Figure 40.

PLACE THE DECORATIVE ROCK

Optional volcanic rock may be placed around the unit on the floor of the firebox. Be sure to avoid any areas on the burner itself.

⚠ CAUTION!

DO NOT sprinkle volcanic rock on the logs, around the pilot, or on or near burners. This may cause sooting. Place volcanic rock only on the floor of the fireplace.

During initial operation of the new heater, new burning logs and/or rock wool will give off a paper burning smell and orange flames will be present. Simply open the windows for a few hours to vent the odor.

KENTUCKY WILDWOOD LOGS

KW18-R LOGS

1. Place bottom front right log #1 on right pin located on burner and right grate bar.
2. Place bottom rear right log #2 on pin on rear of grate assembly and push towards rear as far as possible.



Figure 41.

3. Place bottom rear left log #3 on pin on left rear of grate assembly and push towards rear as far as possible.

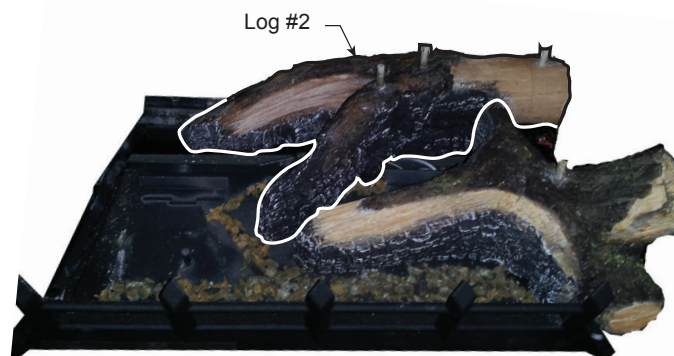


Figure 42.

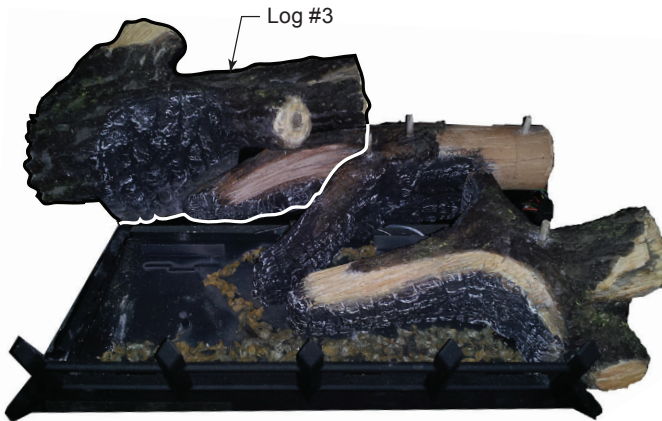


Figure 43.

4. Place bottom front left log #4 on left pin located on burner and left grate bar.



Figure 44.

5. Place center left log #5 on top of log #4 on left side with small end of log #5 under log #3 and on left grate bar.



Figure 45.

6. Place center top log #6 on two (2) pins on top of log #2. The front end of log #6 should rest on log #4.

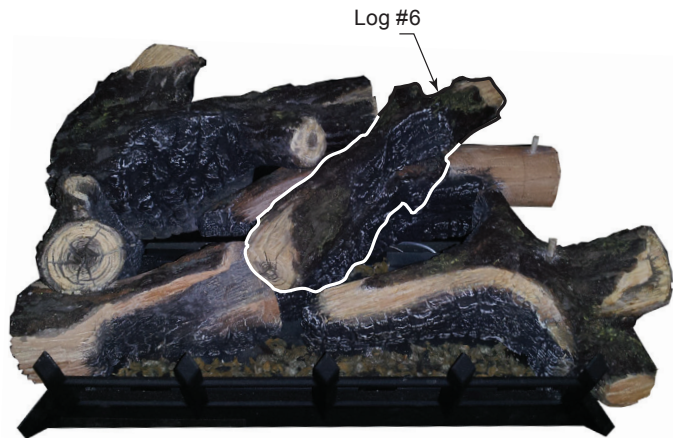


Figure 46.

7. Place top right log #7 on the two (2) pins located on log #2 and log #1.



Figure 47.

**BEACHCOMBER AND RIVERWOOD LOGS
INSTALL 18" BEACHCOMBER AND RIVERWOOD
LOGS ON NATURAL BLAZE BURNER**

1. Place the rear log (#1) on the rear pins located on the log support bar. (See Figure 48.)

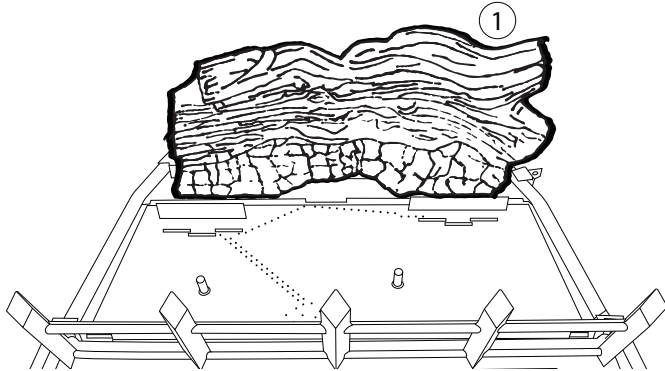


Figure 48.

2. Place the front left log (#2) on the pin located on the left side of the burner. (See Figure 49.)

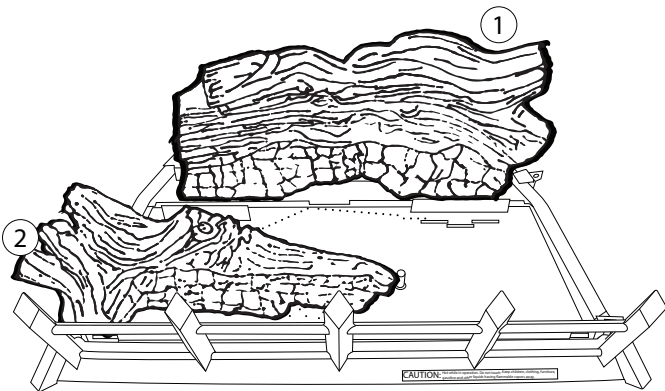


Figure 49.

3. Place the front center log (#3) on the pin located on the right side of the burner. (See Figure 50.)

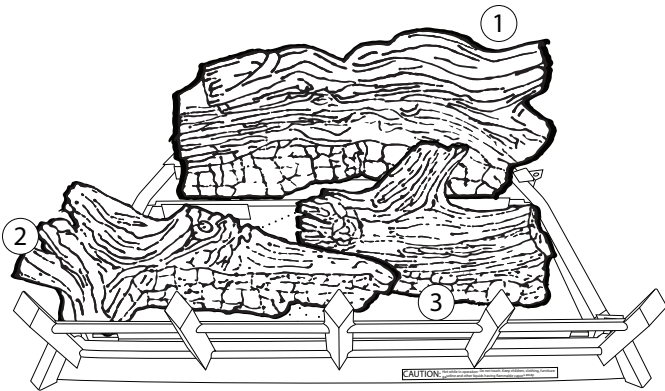


Figure 50.

4. Place the right log (#4) on the bar located on the right side of the burner. (See Figure 51)

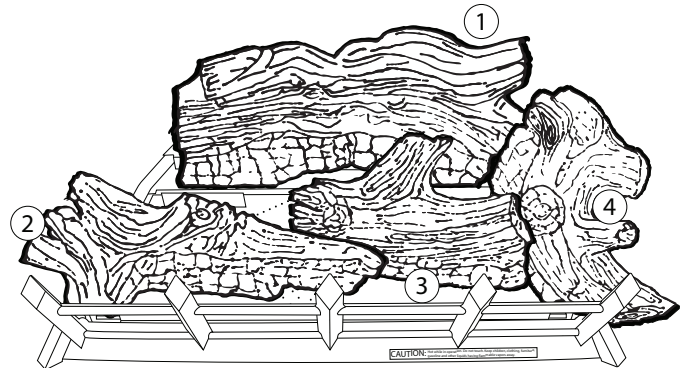


Figure 51.

5. Place the top left log (#5) on the left side of the burner allowing the log to rest on top of the front left log (#2).

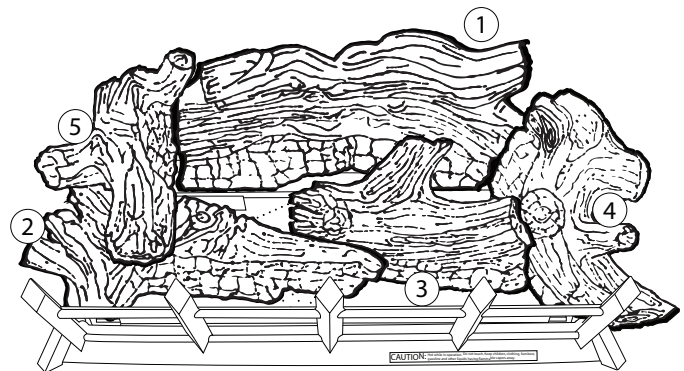


Figure 52.

(See Figure 52)

6. Place the top center log (#6) to the right of the pilot orifice allowing the log to rest on top of the front right log (#3) and the front left log (#2). (See Figure 53.)

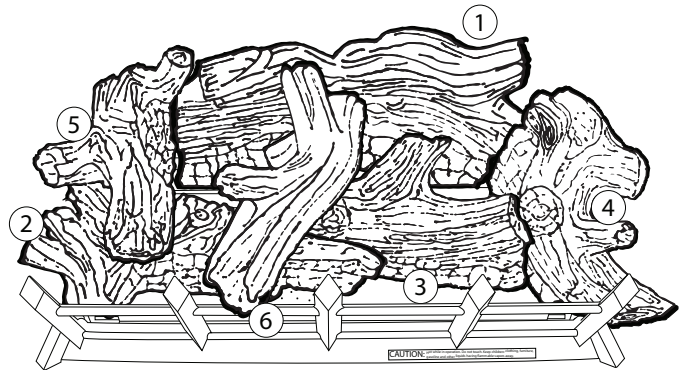


Figure 53.

FIREGLASS PLACEMENT

NOTE: Two (2) bags of glass are supplied with the fireplace. Both bags may be used to cover the entire floor and burner. We advise against using additional glass as too much can cut off the proper amount of air the burner needs to operate cleanly. This may cause sooting.

1. Spread glass evenly in one layer over the entire floor and burner. Be sure to use a single layer only over the ported area so as not to impinge the flame.
2. Turn burner on and adjust glass over ported areas to achieve an even, clean flame.

See Figure 54.

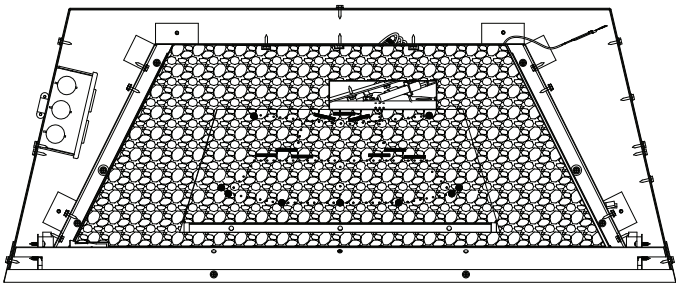


Figure 54.

VISUAL FLAME CHECK

Flames from the pilot, front and rear burner should be visually checked as soon as the heater is installed. In addition, periodically check the flames visually during operation.

CHECK THE PILOT FLAME

The pilot flame must always be present when the heater is in operation. It should just touch the top of the thermocouple tip for natural. Refer to Figure 55. for correct pilot flame.

If the pilot flame does not touch the thermocouple, then the main burner cannot function reliably. Refer to Figure 56. for incorrect shape of pilot flame.

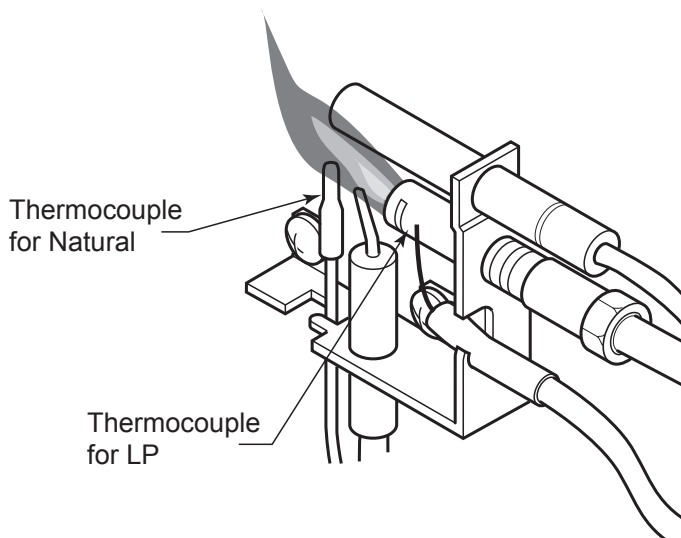


Figure 55. Correct Appearance of Pilot Flame

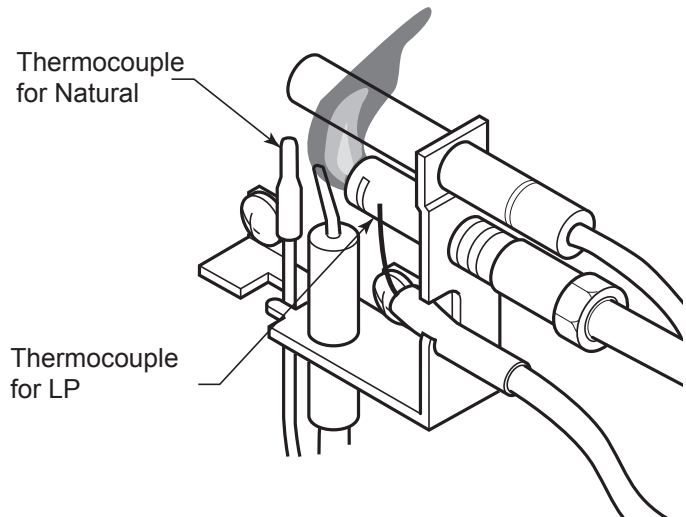


Figure 56. Incorrect Appearance of Pilot Flame

THERMOSTAT AND MILLIVOLT CONTROL

In normal operation at full rate after 15 minutes, the following flame appearances should be observed:

Burner will have a random pattern of yellow flames. There should be glowing embers on the front burner. **NOTE:** The front flames and embers will be an opaque orange color during the burn off time.

CAUTION: After a 15 minute pre-heat period, observe all yellow flames to ensure there is no impingement with any log. If any yellow flame is contacting any log, turn off log set and allow to cool. Remove all logs and carefully reinstall following log placement instructions precisely. Relight burner and check again for impingement of any flame on log. If flame impingement cannot be eliminated, contact your installer or dealer for assistance. Flame impingement on logs may create soot and possible property damage.

OPERATING INSTRUCTIONS

Avoid any drafts that alter burner flame patterns. Do not allow fans to blow directly into the fireplace. Do not place a blower inside the burn area of the firebox. Ceiling fans may create drafts that alter flame patterns. Sooting and improper burning will result.

During manufacturing, fabricating and shipping, various components of this appliance are treated with certain oils, films or bonding agents. These chemicals are not harmful, but may produce annoying smoke and smells as they are burned off during the initial operation of the appliance, possibly causing headaches or eye or lung irritation. *This is a normal and temporary occurrence.*

The initial break-in operation should last four hours with the burner at the highest setting. Provide maximum ventilation by opening windows or doors to allow odors to dissipate. Any odors remaining after this initial break-in will be slight and will disappear with continued use.

FOR YOUR SAFETY READ BEFORE LIGHTING

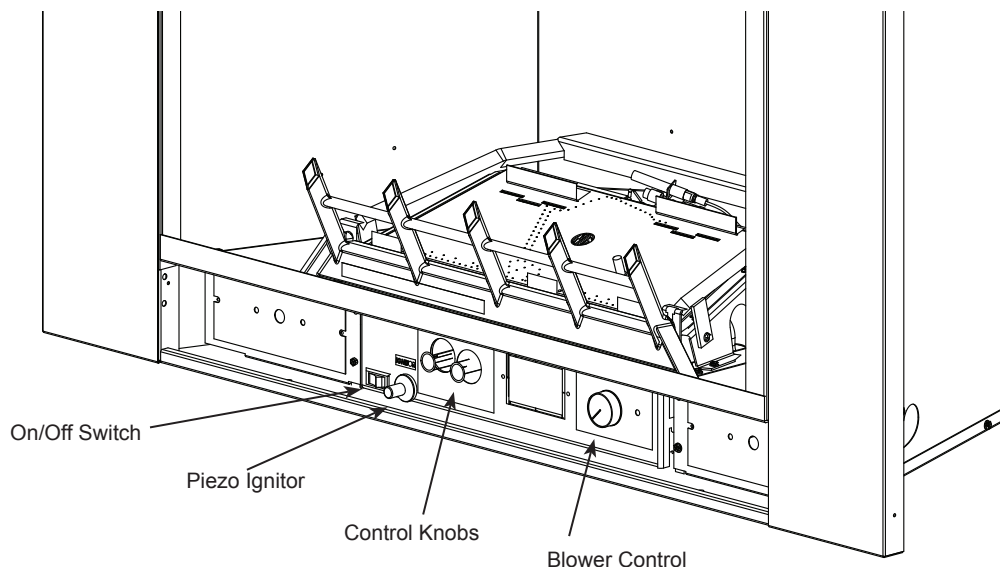
⚠ WARNING!

If you do not follow these instruction exactly, a fire or explosion may result causing property damage, personal injury or loss of life.

- A. This appliance is equipped with a piezo ignition device which automatically lights the pilot. If the piezo is not working properly see Match Lighting Instructions on Page 33.
- B. BEFORE OPERATING smell all around the appliance area for gas. Be sure to smell next to the floor because some gas is heavier than air and will settle on the floor.

WHAT TO DO IF YOU SMELL GAS:

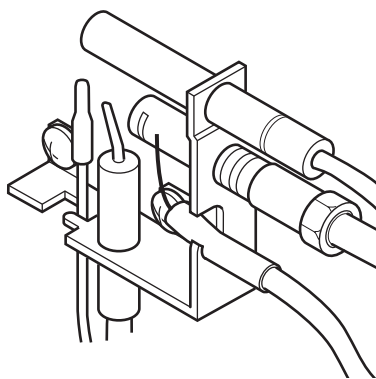
- Do not attempt to light any appliance.
 - Do not touch any electric switch; do not use any phone in your building.
 - Immediately call your gas supplier from a neighbor's phone. Follow the gas supplier's instructions.
 - If you cannot reach your gas supplier, call the fire department.
- C. Use only your hand to push in, or turn the gas control knob. Never use tools. If the knob will not push in or turn by hand, don't try to repair it. Call a qualified service technician. Force or attempted repair may result in a fire or explosion.
 - D. Do not use this appliance if any part of it has been under water. Immediately call a qualified service technician to inspect the appliance and to replace any part of the control system and any gas control that has been under water.



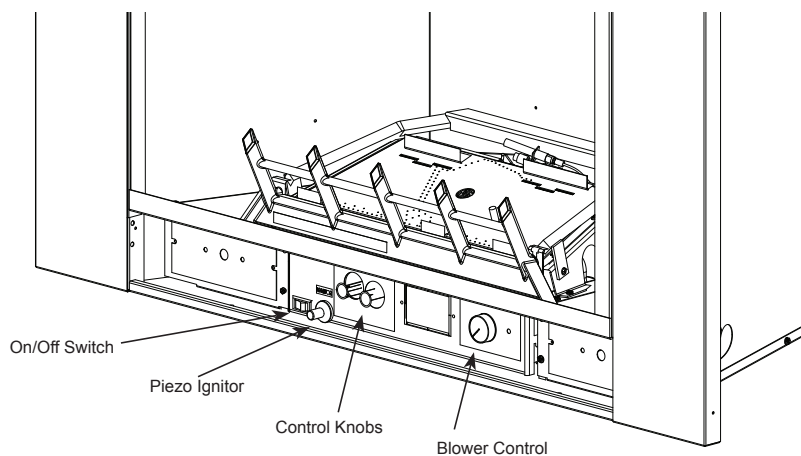
Location of Piezo Ignitor, Control Knobs and Switch on Millivolt Unit, Hi/Lo Remote Control and Manual Unit

MILLIVOLT/THERMOSTAT CONTROL LIGHTING INSTRUCTIONS

1. **STOP!** Read the safety information label.
2. Make sure the manual shutoff valve is fully open.
3. This gas log set is equipped with an ignition device (piezo) which automatically lights the pilot. If piezo ignitor does not light the pilot, refer to instructions for "Match Lighting Instructions," page 33.
4. Turn gas control knob clockwise ↻ to the OFF position and turn ON/OFF switch to OFF position.
5. Wait (5) minutes to clear out any gas. Then smell for gas, including near the floor. If you smell gas, STOP! Follow "B" in the safety information label. If you don't smell gas, go to next step.
6. From OFF position, turn the gas control knob counterclockwise ↻ to IGN position. Push in control knob for 5 seconds. **NOTE: If you are running the heater for the first time, it will be necessary to press in the control knob for 30 seconds to allow air to bleed out of the gas piping.**
7. With the control knob pushed in, push in and release the piezo ignitor button to light the pilot.
8. Continue pushing the control knob in for a further 60 seconds to prevent the flame detector from shutting off the gas while the probe is warming up. Release the control knob.
9. Turn gas control knob counterclockwise ↻ to the ON position.
10. After the pilot has been lit for one minute, the burners can be turned on. Turn the ON/OFF switch to ON position or adjust thermostat to desired setting.
11. If the gas logs will not operate, follow the instructions "To Turn Off Gas To Appliance" below and call your service technician or gas supplier.



Pilot



Millivolt Controls

TO TURN OFF GAS TO HEATER

1. Turn control knob clockwise ↻ to OFF position to completely shut off the heater.
2. If applicable: Turn ON/OFF switch to OFF position and/or set thermostat (if present) to lowest setting.
3. If applicable: Turn off all electric power to the heater.

MATCH LIGHTING INSTRUCTIONS

1. Remove any items necessary for easy access to the pilot (for example: logs, screens, etc.).
2. Follow appropriate lighting instructions found previously. Instead of pushing and releasing the piezo button, light a match and hold the flame to the end of the pilot and ignite the pilot.
3. After control knob has been released and pilot stays lit, reinstall any items that were removed for pilot access.
4. Call a qualified service technician for repair or replacement of the piezo ignitor.

BLOWER OPERATION

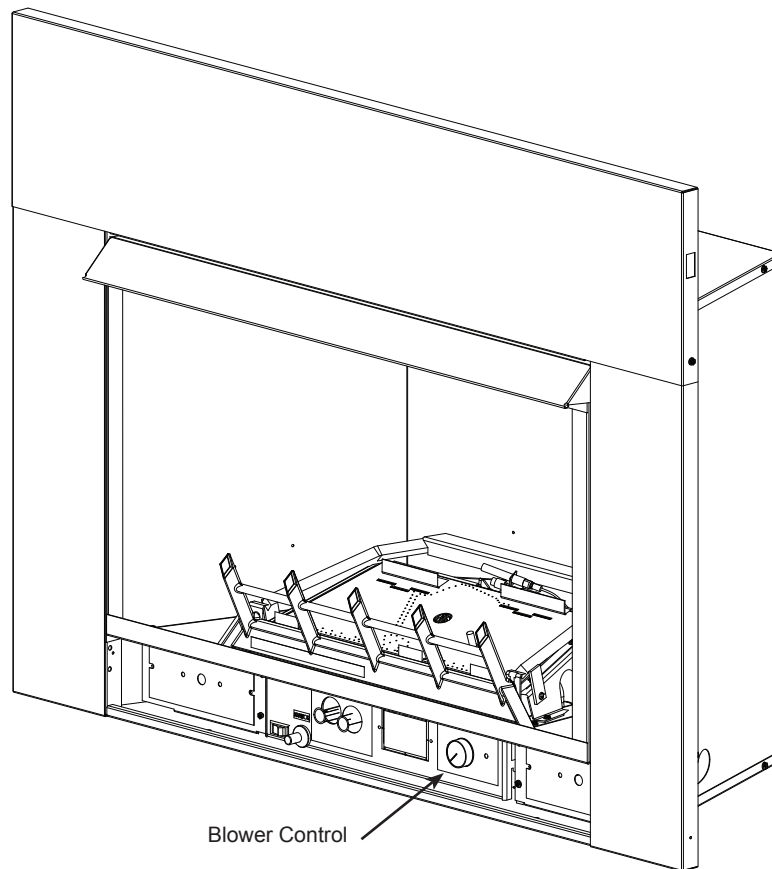


Figure 57. Location of Blower Control

Locate the blower control by opening control access door. The variable controlled thermostat blower is located to the right of heater controls.

In the OFF position, the blower will not operate; however, the heater can be operated without the blower being ON. In the ON (AUTO) position, the blower will start when the thermostat senses a sufficient increase in firebox temperature.

NOTE: Your gas logs and blower will not turn on and off

at the same time. The gas logs may burn several minutes before blower turns on. The blower will continue to run for several minutes after the flames have turned off.

⚠ WARNING!

Turn off heater and allow to cool before cleaning. Disconnect electrical power before cleaning or servicing.

ANNUAL CLEANING AND INSPECTION

Refer to parts diagram for location of items discussed below.

Annual inspection and cleaning by your dealer or qualified service technician is recommended to prevent malfunction and/or sooting.

Remove logs, handling carefully by holding gently at each end. Gloves are recommended to prevent skin irritation from ceramic fibers. If skin becomes irritated, wash gently with soap and water. Refer to manual for correct log placement.

- Inspect and clean burner air intake holes. Remove lint or particles with vacuum, brush or pipe cleaners. Failure to keep air intake holes clean will result in sooting and poor combustion.
- Inspect and clean all burner ports.
- Inspect ODS pilot for operation and accumulation of lint at air intake holes.
- Verify flame pattern and log placement for proper operation.
- Verify smooth and responsive ignition of main burner and rear burner.

PERIODIC CLEANING

Refer to parts diagram for location of items discussed below.

- Do not use cleaning fluid to clean logs or any part of heater.
- Brush logs with soft bristle brush or vacuum with brush attachment.
- Vacuum loose particles and dust from the front and rear burner, control and piezo covers and grate weldment.
- Inspect and clean burner air intake holes. Remove lint or particles with vacuum, brush, or pipe cleaners. Failure to keep air intake holes clean will result in sooting and poor combustion.
- External case should be dusted and wiped with a wet soapy cloth.

⚠ WARNING!

Turn appliance **OFF** and allow to cool before servicing. Only a qualified service person should service and repair the heater.

NOTE: All troubleshooting items are listed in order of operation.

OBSERVED PROBLEM	POSSIBLE CAUSE	SOLUTION
When ignitor button is pressed, there is no spark at ODS/pilot.	<ol style="list-style-type: none"> 1. Ignitor electrode positioned wrong. 2. Ignitor electrode is broken. 3. Ignitor electrode not connected to ignitor cable. 4. Ignitor cable pinched or wet. Keep ignitor cable dry. 5. Broken ignitor cable. 6. Bad piezo ignitor. 	<ol style="list-style-type: none"> 1. Replace ignitor. 2. Replace ignitor. 3. Reconnect ignitor cable. 4. Free ignitor cable if pinched by any metal or tubing. 5. Replace ignitor cable. 6. Replace piezo ignitor.
Appliance produces unwanted odors.	<ol style="list-style-type: none"> 1. Appliance burning vapors from paint, hair spray, glues, etc. 2. Gas leak. 3. Initial burn off. 	<ol style="list-style-type: none"> 1. Ventilate room. Stop using odor causing products while heater is running. 2. Locate and correct all leaks. 3. Ventilate room and turn unit on high until odor is gone. Odor should be gone after 6 hours of continuous use.
Appliance shuts off during use.	<ol style="list-style-type: none"> 1. Not enough fresh air is available for ODS/ pilot to operate. 2. Low line pressure. 3. ODS/pilot is partially clogged. 4. Defective Thermopile. 5. Restrictions in incoming air flow 	<ol style="list-style-type: none"> 1. Open window and/or door for ventilation. 2. Contact local gas company. 3. Clean ODS/pilot. 4. Check pilot flame, check wire connections, check output, should be 325 millivolts across TH/TP and TP Terminals with ON/OFF switches off. 5. Check for bottom riser on glass door, sunken fireplace, excessive lava rock/cinders densely packed against grate.
Gas odor even when control knob is in OFF position.	<ol style="list-style-type: none"> 1. Gas leak. 2. Control valve defective. 	<ol style="list-style-type: none"> 1. Locate and correct all leaks. 2. Replace control valve.
When ignitor button is pressed, there is spark at ODS pilot, but no ignition.	<ol style="list-style-type: none"> 1. Gas supply turned off or manual shutoff valve closed. 2. Control knob not in PILOT position. 3. Control knob not pressed in while in PILOT position. 4. Air in gas lines when installed. 5. ODS/pilot is clogged. 6. Gas regulator setting is not correct. 	<ol style="list-style-type: none"> 1. Turn on gas supply or open manual shutoff valve. 2. Turn control knob to PILOT position. 3. Press in control knob while in PILOT position. 4. Continue holding down control knob. Repeat igniting operation until air is removed. 5. Replace ODS/pilot assembly or get it serviced. 6. Replace gas regulator.

OBSERVED PROBLEM	POSSIBLE CAUSE	SOLUTION
ODS/pilot lights, but flame goes out when control knob is released.	<ol style="list-style-type: none"> Control knob not fully pressed in. Control knob not pressed in long enough. Manual shutoff valve not fully open. Thermocouple connection loose at control valve. Pilot flame not touching thermocouple, which allows thermocouple to cool, causing pilot flame to go out. This problem could be caused by either low gas pressure, or a dirty or partially clogged ODS/pilot. Thermocouple damaged. Control valve damaged. 	<ol style="list-style-type: none"> Press in control knob fully. After ODS/pilot lights, keep control knob pressed in for 30 seconds. Fully open manual shutoff valve. Hand tighten thermocouple connection until snug, then tighten 1/4 turn more. Contact local gas company. Clean pilot with vacuum cleaner. Replace thermocouple. Replace control valve.
Burner does not light after ODS/pilot is lit.	<ol style="list-style-type: none"> Burner orifice is clogged. Burner orifice diameter is too small. Inlet gas pressure is too low. 	<ol style="list-style-type: none"> Clean orifice. Replace burner orifice. Contact qualified service person.
Burner backfires during combustion.	<ol style="list-style-type: none"> Manifold pressure is too low. Burner orifice is clogged. 	<ol style="list-style-type: none"> Contact local gas company. Clean burner or replace burner orifice.
Slight smoke or odor during initial operation.	<ol style="list-style-type: none"> Burner orifice is clogged or damaged. Burner is damaged. Gas regulator defective. 	<ol style="list-style-type: none"> Clean burner or replace burner orifice. Replace burner. Replace gas regulator.
Logs appear to smoke after initial operation.	<ol style="list-style-type: none"> Vapors from paint or curing process of logs. Vapors or smoke continue after heater is run with damper or window open for several hours. 	<ol style="list-style-type: none"> Problem will stop after a few hours of operation. Run the heater with the damper open if you have one, or open a window for the first few hours. Log heater is intended to be smokeless. Turn OFF heater and call qualified service person.
Heater produces a whistling noise when burner is lit.	<ol style="list-style-type: none"> Turning control knob to HIGH position when burner is cold. Air in gas line. Dirty or partially clogged burner orifices. 	<ol style="list-style-type: none"> Turn control knob to LOW position and let warm up for a minute. Operate burner until air is removed from line. Have gas line checked by local gas company. Clean burner or replace burner orifice.
No gas to pilot.	<ol style="list-style-type: none"> LP-regulator shut down due to inlet pressure too high. 	<ol style="list-style-type: none"> Verify LP tank regulator is installed and set at 11" to 13" w.c. Replace regulator on heater.
Blower does not work.	<ol style="list-style-type: none"> Power cord not plugged in. Loose wire connections. Defective blower thermostat. 	<ol style="list-style-type: none"> Plug power cord into junction box found in lower access level. Check wire connections, reconnect if loose. Replace thermostat.

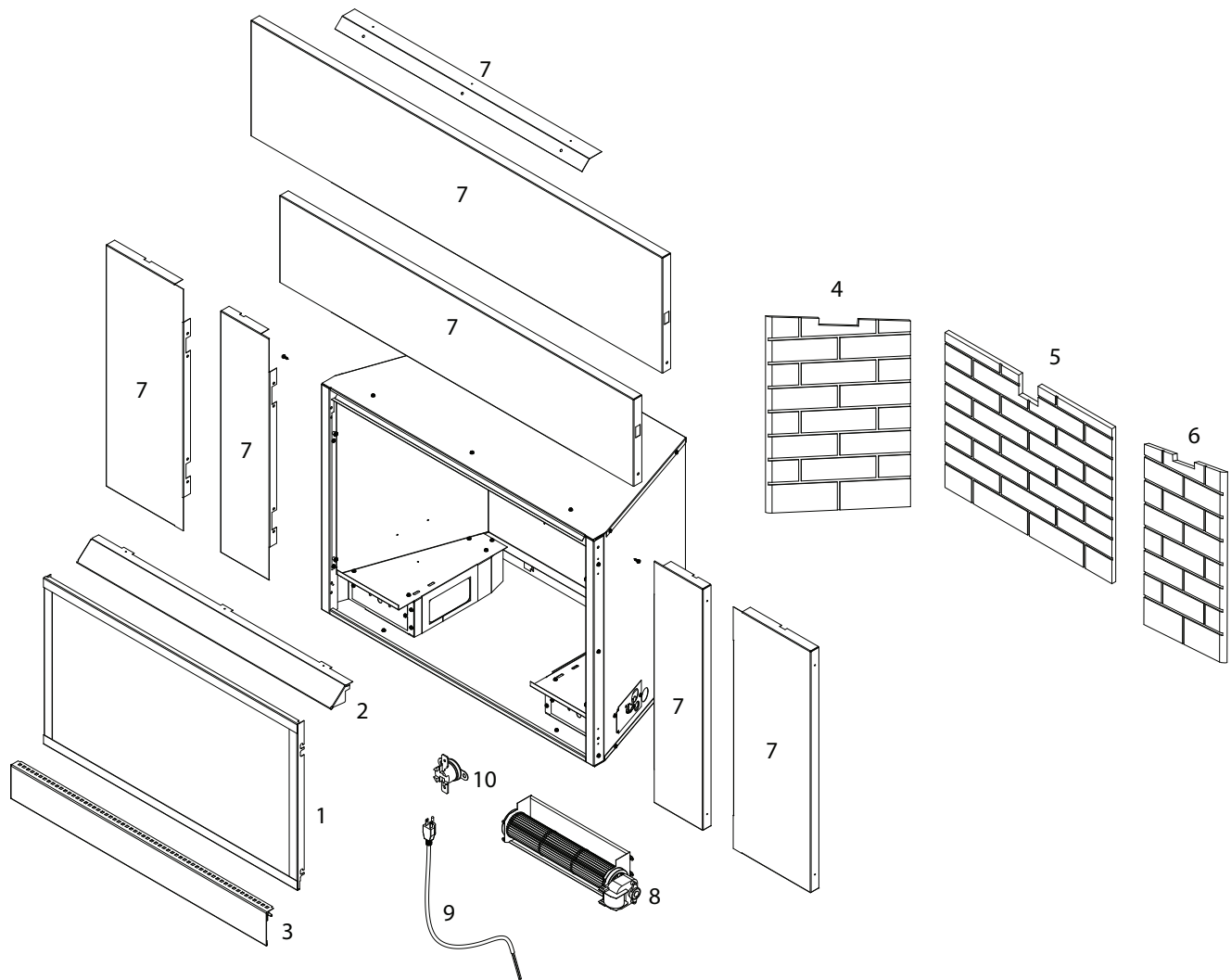
⚠ WARNING!

If the gas quality is bad, your pilot may not stay lit, the burners may produce soot and the heater may backfire when lit. If the gas quality or pressure is low, contact your local gas supplier immediately.

⚠ WARNING!

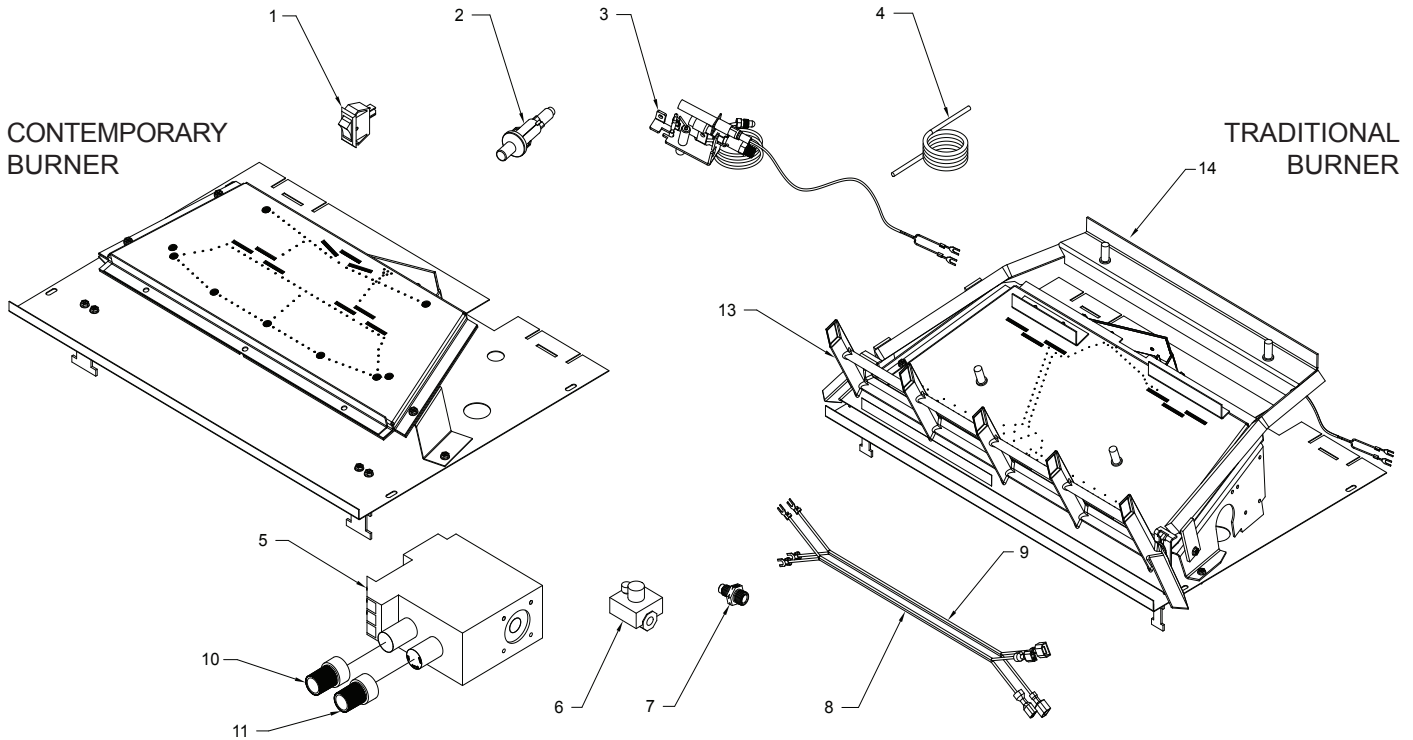
Failure to position the parts in accordance with these diagrams or failure to use only parts specifically approved with this appliance may result in property damage or personal injury.

FIREBOX ASSEMBLY



REFERENCE NO.	DESCRIPTION	QTY.	REPLACEMENT PART NO.	
1.	Screen Assembly	1	20306285K	
2.	Canopy Assembly	1	20307546K	
3.	Lower Control Panel	1	20306484K	
4.	Left Firebrick	1	20307263K (Cinn)	20307771K (Col. Red)
5.	Center Firebrick	1	20307264K (Cinn)	20307769K (Col. Red)
6.	Right Firebrick	1	20307262K (Cinn)	20307770K (Col. Red)
SURROUND				
7.	32" x 43" Small Black Surround	1	VFICFSS	
7.	35" x 50" Large Black Surround	1	VFICFSL	
OPTIONAL BLOWER COMPONENTS				
8.	Blower	1	26D0748K	
9.	Wiring Harness	1	26D0619	
10.	Blower Thermostat	1	23D6100	

MILLIVOLT BURNER ASSEMBLY



REF	DESCRIPTION	QTY	VFI33CNV	VFI33CPV	VFI33LNV	VFI33LPV
1	On/Off Switch	1	SRV32D0232	SRV32D0232	SRV32D0232	SRV32D0232
2	Piezo Ignitor	1	SRV14D0503	SRV14D0503	SRV14D0503	SRV14D0503
3	ODS Pilot Assembly	1	SRV14D0473	SRV14D0477	SRV14D0473	SRV14D0477
4	Piezo Wire	1	SRV00K0632	SRV00K0632	SRV00K0632	SRV00K0632
5	Control Valve	1	SRV14D0467	SRV14D0468	SRV14D0467	SRV14D0468
6	Pilot Regulator	1	SRV14D0469	N/A	SRV14D0469	N/A
7	Burner Injector	1	33D5040	58D0052	33D5040	58D0052
8	Female Valve/Switch Wire	1	SRV44D0500	SRV44D0500	SRV44D0500	SRV44D0500
9	Male Valve/Switch Wire	1	44D0501	44D0501	44D0501	44D0501
10	Knob Extender 1.5" Hi/Low	1	SRV37D0011	SRV37D0011	SRV37D0011	SRV37D0011
11	Knob Extender 1.5" On/Off	1	SRV37D0010	SRV37D0010	SRV37D0010	SRV37D0010
12	Painted Burner Assembly	1	20307586K	20307586K	20307586K	20307586K
13	Front Grate Assembly	1	20304325K	20304325K	20304325K	20304325K
14	Rear Log Bracket	1	81D2002K	81D2002K	81D2002K	81D2002K

ACCESSORIES

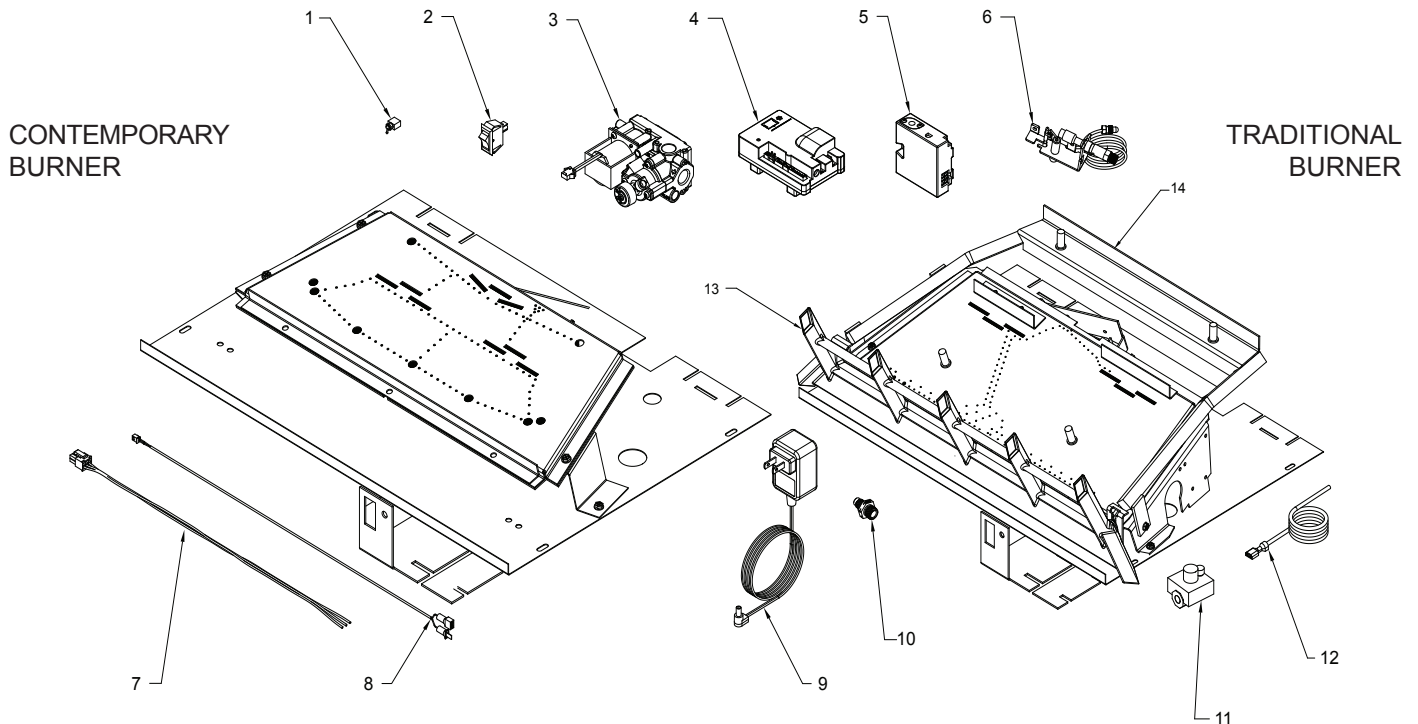
Flex Connector	FLEXCON18
Wall Switch Kit	MVWS
Hand Held Remote	RCB, RCMT, TSMT
Hand Held Thermostat Remote	RCST, TSST
Thermostat Sensor Kit	TS
Rock Wool	SRV81D2011 (TRADITIONAL ONLY)

REPLACEMENT PARTS ARE AVAILABLE THROUGH YOUR RETAILER.

⚠ WARNING!

Failure to position the parts in accordance with these diagrams or failure to use only parts specifically approved with this appliance may result in property damage or personal injury.

IPI BURNER ASSEMBLY

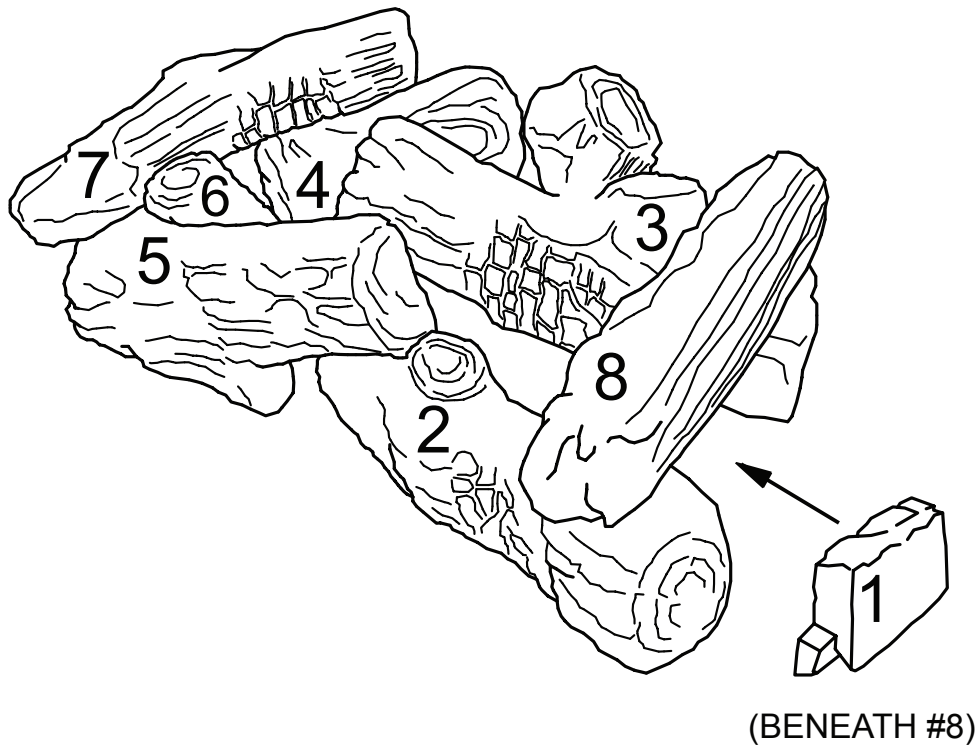


REF	DESCRIPTION	QTY	VFI33CNI	VFI33CPI	VFI33LNI	VFI33LPI
1	Cold Climate Switch	1	SRV95E0111	SRV95E0111	SRV95E0111	9SRV5E0111
2	On/Off Switch	1	SRV32D0232	SRV32D0232	SRV32D0232	SRV32D0232
3	Gas Valve	1	SRV95E0101	SRV95E0102	SRV95E0101	SRV95E0102
4	Control Box	1	SRV95E0100	SRV95E0100	SRV95E0100	SRV95E0100
5	ODS Module	1	SRV20303179	SRV20303179	SRV20303179	SRV20303179
6	ODS Pilot Assembly	1	SRV26D2529	SRV14D0476	SRV26D2529	SRV14D0476
7	ODS Module Wire	1	SRV20301890	SRV20301890	SRV20301890	SRV20301890
8	Control to ODS Module Wire	1	95E0120	95E0120	95E0120	95E0120
9	A/C Adapter	1	SRV95E0105	SRV95E0105	SRV95E0105	SRV95E0105
10	Burner Injector	1	SRV33D5040	SRV58D0052	SRV33D5040	SRV58D0052
11	Pilot Regulator	1	SRV14D0469	N/A	SRV14D0469	N/A
12	Piezo Wire	1	20303256K	20303256K	20303256K	20303256K
13	Front Grate Assembly	1	20304325K	20304325K	20304325K	20304325K
14	Rear Log Bracket	1	81D2002K	81D2002K	81D2002K	81D2002K
15	Battery Pack (not shown)	1	SRV95E0115	SRV95E0115	SRV95E0115	SRV95E0115
ACCESSORIES						
Wall Switch Kit			MVWS			
Hand Held Remote			RCB, RCMT, TSMT			
Hand Held Thermostat Remote			RCST, TSST			
Thermostat Sensor Kit			TS			
Rock Wool			SRV81D2011 (TRADITIONAL ONLY)			

REPLACEMENT PARTS ARE AVAILABLE THROUGH YOUR RETAILER.

⚠ WARNING!

Failure to position the parts in accordance with these diagrams or failure to use only parts specifically approved with this appliance may result in property damage or personal injury.



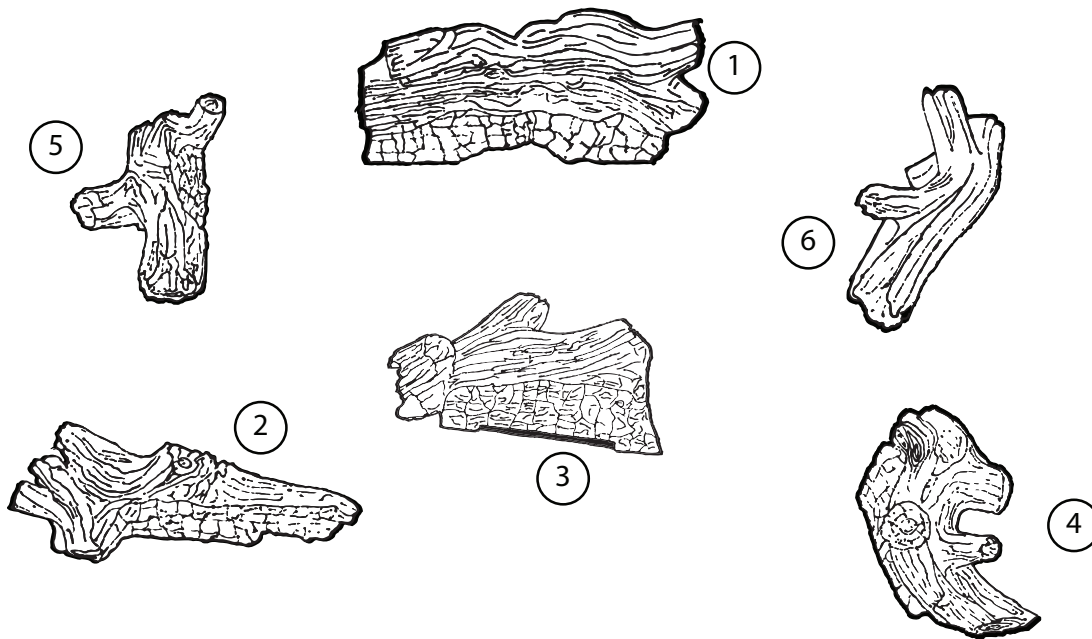
BERKLEY OAK LOGS

REF.	DESCRIPTION	QUANTITY	BO18-R	BO18-F
1.	Ember Chunk	1	81D0110K	81D0109K
2.	Right Front Log	1	81D0059K	81D0083K
3.	Right Rear Log	1	81D0060K	81D0084K
4.	Left Rear Log	1	81D0061K	81D0085K
5.	Left Front Log	1	81D0062K	81D0086K
6.	Middle Left Log	1	81D0063K	81D0087K
7.	Left Top Log	1	81D0064K	81D0088K
8.	Right Top Log	1	81D0065K	81D0089K

REPLACEMENT PARTS ARE AVAILABLE THROUGH YOUR RETAILER.

⚠ WARNING!

Failure to position the parts in accordance with these diagrams or failure to use only parts specifically approved with this appliance may result in property damage or personal injury.



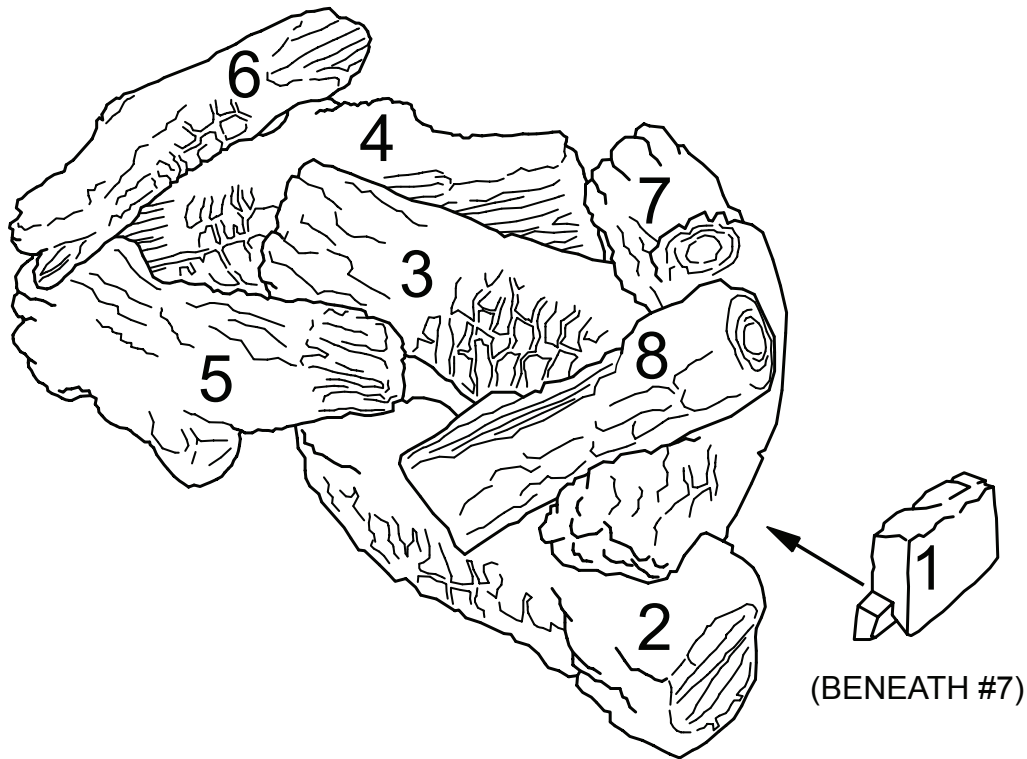
BEACHCOMBER AND RIVERWOOD LOGS

Ref	Description	Qty	BC18-R	BC24-R	BC30-R	RW18-R	RW24-R	RW30-R
1	Rear log, #1	1	20308895	20308748	20308917	20308931	20308754	20308901
2	Front left log, #2	1	20308897	20308750	20308750	20308933	20308756	20308756
3	Front center log, #3	1	20308896	20308749	20308918	20308932	20308755	20308902
4	Right log, #4	1	20308752	20308752	20308921	20308758	20308758	20308905
5	Top left log, #5	1	20308751	20308751	20308751	20308935	20308757	20308757
6	Center top log, #6	1	20308900	20308753	20308753	20308936	20308759	20308759

REPLACEMENT PARTS ARE AVAILABLE THROUGH YOUR RETAILER.

⚠ WARNING!

Failure to position the parts in accordance with these diagrams or failure to use only parts specifically approved with this appliance may result in property damage or personal injury.



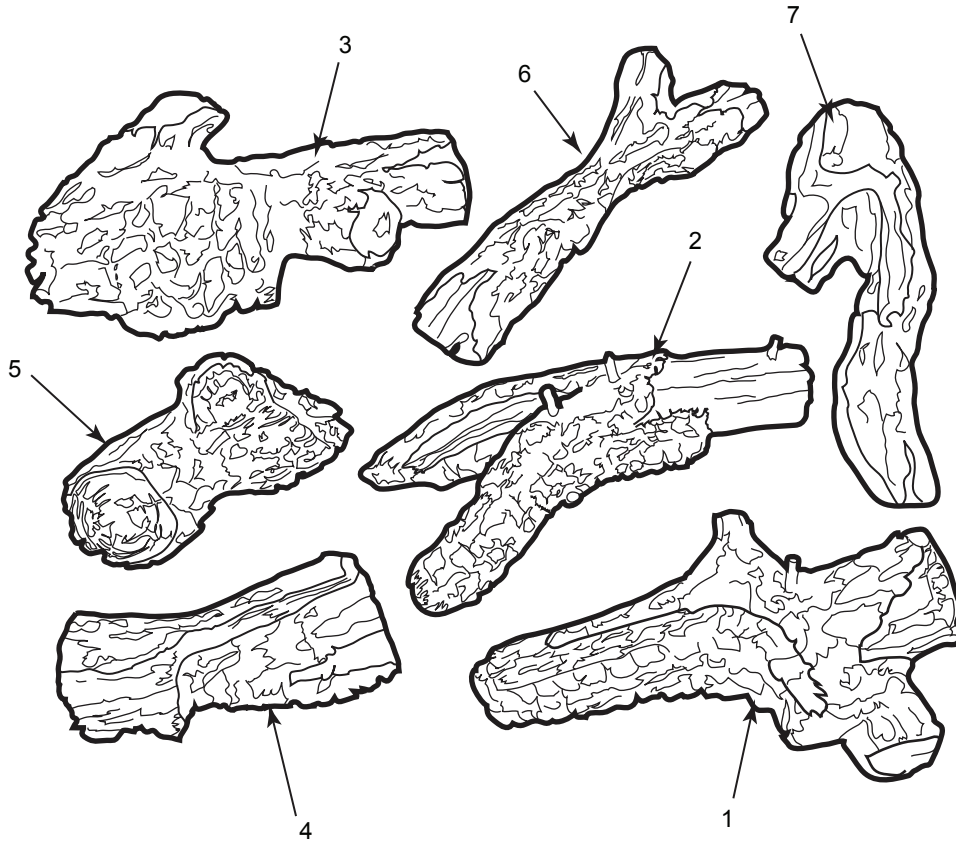
HIGHLAND OAK LOGS

REF.	DESCRIPTION	QUANTITY	HO18-R	HO18-F
1.	Ember Chunk	1	81D0110K	81D0109K
2.	Right Front Log	1	81D0011K	81D0035K
3.	Right Rear Log	1	81D0012K	81D0036K
4.	Left Rear Log	1	81D0013K	81D0037K
5.	Left Front Log	1	81D0014K	81D0038K
6.	Left Top Log	1	81D0015K	81D0039K
7.	Right Top Log	1	81D0016K	81D0040K
8.	Right Front Log	1	81D0017K	81D0041K

REPLACEMENT PARTS ARE AVAILABLE THROUGH YOUR RETAILER.

⚠ WARNING!

Failure to position the parts in accordance with these diagrams or failure to use only parts specifically approved with this appliance may result in property damage or personal injury.



KENTUCKY WILDWOOD LOGS

REF	DESCRIPTION	QUANTITY	KW18-R
1.	Bottom front right log, #1	1	20305902
2.	Bottom rear right log, #2	1	20305903
3.	Bottom rear left log, #3	1	20305904
4.	Bottom front left log, #4	1	20305905
5.	Center left log, #5	1	20305906
6.	Center top log, #6	1	20305907
7.	Top right log, #7	1	20305908

REPLACEMENT PARTS ARE AVAILABLE THROUGH YOUR RETAILER.

⚠ WARNING!

Failure to position the parts in accordance with these diagrams or failure to use only parts specifically approved with this appliance may result in property damage or personal injury.

LIMITED LIFETIME WARRANTY POLICY

LIFETIME WARRANTY

The following components are warranted for life to the original owner, subject to proof of purchase: Firebox, Combustion Chamber, Heat Exchanger, Grate and Stainless Steel Burners.

FIVE YEAR WARRANTY

The following components are warranted for 5 years to the original owner, subject of proof of purchase: Ceramic Fiber Logs, Catalytic Filter and Aluminized Burners.

BASIC WARRANTY

Monessen warrants the components and materials in your gas appliance to be free from manufacturing and material defects for a period of one year from date of installation. After installation, if any of the components manufactured by Monessen in the appliance are found to be defective in materials or workmanship, Monessen will, at its option, replace or repair the defective components at no charge to the original owner. Monessen will also pay for reasonable labor costs incurred in replacing or repairing such components for a period of one year from the date of installation. Any products presented for warranty repair must be accompanied by a dated proof of purchase.

This Limited Warranty will be void if the appliance is not installed by a qualified installer in accordance with the installation instructions. The Limited Lifetime Warranty will also be void if the appliance is not operated and maintained according to the operating instructions supplied with the appliance, and does not extend to (1) firebox/burner assembly damage by accident, neglect, misuse, abuse, alteration, negligence of others, including the installation thereof by unqualified installers, (2) the costs of removal, re-installation or transportation of defective parts on the appliance, or (3) incidental or consequential damage. All service work must be performed by an authorized service representative.

This warranty is expressly in lieu of other warranties, express or implied, including the warranty of merchantability of fitness for purpose and of all other obligations or liabilities. Monessen does not assume for it any other obligations or liability in connection with the sale or use of the appliance. In states that do not allow limitations on how long an implied warranty lasts, or do not allow exclusion of indirect damages, those limitations of exclusions may not apply to you. You may also have additional rights not covered in this Limited Warranty.

Monessen reserves the right to investigate any and all claims against the Limited Warranty and decide upon method of settlement.

IF WARRANTY SERVICE IS NEEDED...

1. Contact your supplier. Make sure you have your warranty, your sales receipt and the model/serial number of your Monessen product.
2. DO NOT ATTEMPT TO DO ANY SERVICE WORK YOURSELF.



LOVE AT FIRST LIGHT

Monessen, a brand of Hearth & Home Technologies
7571 215th Street West, Lakeville, MN 50044
www.monessenhearth.com