

# INSTALLATION INSTRUCTIONS AND OWNER'S MANUAL

## INSTALLER:

Leave this manual with the appliance.

## CONSUMER:

Retain this manual for future reference.

### ⚠ DANGER

#### FIRE OR EXPLOSION HAZARD

If you smell gas:

1. Shut off gas to the appliance.
2. Extinguish any open flame.
3. If odor continues, leave the area immediately.
4. After leaving the area, call your gas supplier or fire department.

Failure to follow these instructions could result in fire or explosion, which could cause property damage, personal injury, or death.

### ⚠ WARNING

Improper installation, adjustment, alteration, service or maintenance can cause injury or property damage. Read the installation, operating and maintenance instructions thoroughly before installing or servicing this equipment.

### ⚠ WARNING

Do not store or use gasoline or other flammable vapors and liquids in the vicinity of this or any other appliance.

An Propane-cylinder not connected for use shall not be stored in the vicinity of this or any other appliance.

## OUTDOOR LINEAR GAS FIREPLACE MODELS:

OLL60FP12S(N,P)-2  
OLL60SP12S(N,P)-2



### ⚠ WARNING

For Outdoor Use Only.

### ⚠ WARNING

If the information in these instructions are not followed exactly, a fire or explosion may result causing property damage, personal injury or loss of life.

### ⚠ WARNING

If not installed, operated and maintained in accordance with the manufacturer's instructions, this product could expose you to substances in fuel or from fuel combustion which can cause death or serious illness.

Installation and service must be performed by a qualified installer, service agency or the gas supplier.



We suggest that our gas hearth products be installed and serviced by professionals who are certified in the U.S. by the National Fireplace Institute® (NFI) as NFI Gas Specialists.

## ⚠ DANGER



### CARBON MONOXIDE HAZARD

This appliance can produce carbon monoxide which has no odor.

Using it in an enclosed space can kill you.

Never use this appliance in an enclosed space such as a camper, tent, car or home.

# PROPANE GAS CYLINDER INFORMATION

**⚠ DANGER - FLAMMABLE GAS UNDER PRESSURE.**  
**LEAKING LP-GAS MAY CAUSE A FIRE OR EXPLOSION IF IGNITED**  
**CAUSING SERIOUS BODILY INJURY OR DEATH.**  
**CONTACT LP GAS SUPPLIER FOR REPAIRS, OR DISPOSAL OF THIS**  
**CYLINDER OR UNUSED PROPANE-GAS.**

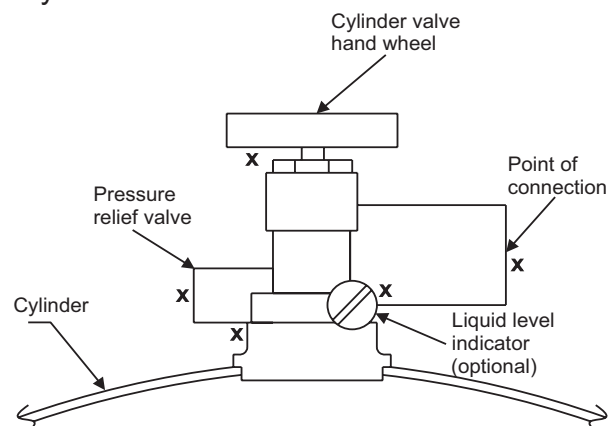
**⚠ WARNING - FOR OUTDOOR USE ONLY.\***  
**DO NOT USE OR STORE CYLINDER IN A BUILDING,**  
**GARAGE OR ENCLOSED AREA.**

## ⚠ WARNING:

- Know the odor of propane gas. If you hear, see or smell leaking propane gas, immediately get everyone away from the cylinder and call the Fire Department. Do not attempt repairs.
- Caution your propane gas supplier to:
  - Be certain cylinder is purged of trapped air prior to first filling.
  - Be certain not to over fill the cylinder.
  - Be certain cylinder requalification date is checked.
- Propane gas is heavier than air and may settle in low places while dissipating.
- Contact with the liquid contents of cylinder will cause freeze burns to the skin.
- Do not allow children to tamper or play with cylinder.
- When not connected for use, keep cylinder valve turned off. Self contained appliances shall be limited to a cylinder of 30 lb capacity or less.
- Do not use, store or transport cylinder where it would be exposed to high temperatures. Relief valve may open allowing a large amount of flammable gas to escape.
- When transporting, keep cylinder secured in an upright position with cylinder valve turned off.

## WHEN CONNECTING FOR USE:

- Use only in compliance with applicable codes.
- Read and follow manufacturer's instructions.
- Consult manufacturer's instructions concerning the cylinder connection provided with your appliance.
- Be sure regulator vent is not pointing up.
- Turn off all valves on the appliance.
- Do not check for gas leaks with a match or open flame. Apply soapy water at areas marked "X". Open cylinder valve. If bubble appears, close valve and have propane gas service person make needed repairs. Also, check appliance valves and connections to make sure they do not leak before lighting appliance.
- Light appliance(s) following manufacturer's instructions.
- When appliance is not in use, keep the cylinder valve closed.



**DO NOT REMOVE, DEFACE, OR OBLITERATE THIS LABEL**  
**\*EXCEPT AS AUTHORIZED BY ANSI/NFPA 58.**

**⚠ DANGER.** Do not store a spare propane cylinder under or near a barbecue grill, or other heat sources.  
**NEVER** fill an propane cylinder beyond 80% full: a fire causing death or serious injury may occur.

# BEFORE YOU START

1. Read the safety information on pages 5 to 6.
2. What to consider before installing. See Page 12.
3. Water drainage is required. See page 13. Optional drain tray available.
4. Where are you going to install the unit? See pages 12 to 14.
5. Frame the opening. See pages 9 to 11 and 15 to 16.
6. Install the fireplace. See pages 15 to 17.
7. Connect the electricity. See pages 17 and 27.
8. Connect the gas. See page 18 to 20.
9. Install the crushed glass. See page 23.
10. Light the fireplace and troubleshoot. See pages 24 and 29.
11. Show the homeowner how to operate the fireplace. See page 26.
12. Show the homeowner how to do the basic maintenance. See page 28.

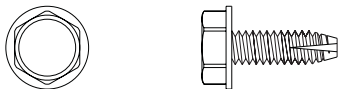
## Tools Needed:

- (1) - 1/8-inch Allen Wrench
- (2) - Adjustable wrenches with range of 1-inch for gas connection
- (2) - Adjustable pipe wrenches
- (1) - Phillips Screwdriver

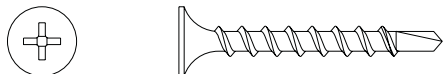
CARTON CONTENTS			
INDEX NO.	DESCRIPTION	QUANTITY SUPPLIED	
		OLL60FP	OLL60SP
1	Glass Panel	1	2
2	Non-Combustible Panel - Top	1	2
3	Non-Combustible Panel - Side	2	4
4	Envelope	1	1
5	Nailing Flange	4	8
6	Receptacle	1	1
7	Cover Plate	1	1
8	Conduit Connector 1/2-in.	1	1
9	AA Battery	1	1
10	Burner Service Support	2	2

See Parts Lists on pages 31 to 34 for ordering replacement parts. Do not order batteries, bolts, screws, washers or nuts. They are standard hardware items and can be purchased at any local hardware store.

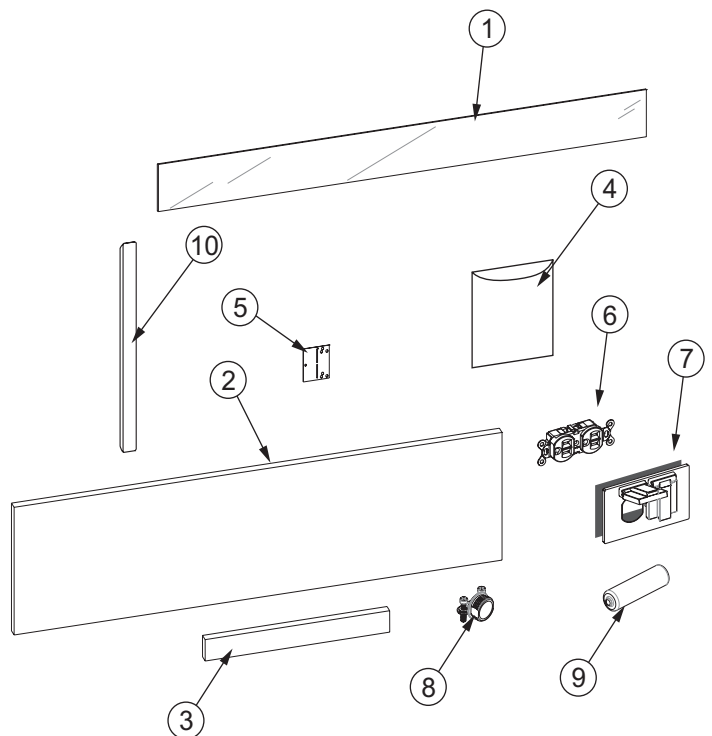
## HARDWARE PACK CONTENTS



#10-32 X 1/2" STAINLESS HEX HEAD SCREW  
(8 - OLL60FP12S(N,P))  
(16 - OLL60SP12S(N,P))



1-1/4" PHILLIPS SELF-DRILLING SCREW  
(6 - OLL60FP12S(N,P))  
(12 - OLL60SP12S(N,P))



# TABLE OF CONTENTS

SECTION	PAGE
Propane Gas Cylinder Information.....	2
Before You Start.....	3
Table Of Contents .....	4
Important Safety Information.....	5
Safety Information For Users Of Propane Gas .....	6
Product Specifications .....	7
Accessories.....	7
Introduction .....	8
Combustible Materials .....	9
Clearances.....	9 - 10
Fireplace Dimensions .....	11
Planning Installation.....	12 - 14
Fireplace Framing And Installation.....	15 - 23
Lighting Instructions .....	24
Main Burner Flame Characteristics.....	25
Operation Instructions / Flame Appearance.....	26
Wiring.....	27
Maintenance .....	28
Troubleshooting .....	29
Master Parts Distributor List.....	30
How To Order Repair Parts .....	30
OLL60FP Parts List.....	31
OLL60FP Parts View.....	32
OLL60SP Parts List .....	33
OLL60SP Parts View .....	34
Warranty Terms.....	35

# IMPORTANT SAFETY INFORMATION

**⚠ DANGER:** Indicates a hazardous situation which, if not avoided, will result in death or serious injury.

**⚠ WARNING:** Indicates a hazardous situation which, if not avoided, could result in death or serious injury.

**⚠ CAUTION:** Indicates a hazardous situation which, if not avoided, could result in minor or moderate injury.

**NOTICE:** Addresses practices not related to personal injury.

## **⚠ WARNING**

Do not place debris, logs, or other articles in fireplace during operation.

## **⚠ WARNING**

Any modification to controls can be dangerous. Improper installation or use of the gas log set can cause serious injury or death from fire, burns, explosion or carbon monoxide poisoning.

## **⚠ WARNING**

Make a periodic visual check of burners. Clean and replace damaged parts.

## **⚠ DANGER**

Children and adults should be alerted to the hazard of high surface temperature and should stay away to avoid burns or clothing ignition.

## **⚠ DANGER**

Young children should be carefully supervised when they are in the same area with the fireplace.

## **⚠ DANGER**

Clothing or other flammable materials should not be hung from the fireplace, or placed on or near the fireplace.

## **⚠ DANGER**

Keep the fireplace area clear and free from combustible material, gasoline and other flammable vapors and liquids.

- **Installer:** Please leave these instructions with the owner for future reference
- This unit complies with ANSI Z21.97/CSA 2.41 for Outdoor Gas Fireplaces.
- Installation and repair should be done by a **QUALIFIED SERVICE PERSON**. This fireplace should be inspected before use and at least annually by a professional service person. More frequent cleaning may be required due to insects, pollen build up, dust, etc. It is imperative that the control compartments, burners, and circulating air passageways of the fireplace be kept clean.
- During manufacturing, fabricating and shipping, various components of this fireplace are treated with certain oils, films or bonding agents. These agents are not harmful, but may produce annoying smoke and smells as they are burned off during initial operation of the fireplace. This is a normal temporary occurrence.
- Follow all local codes regarding installation, combustion and ventilation air or in the absence of local codes follow the National Fuel Gas Code ANSI Z223.1 (US installation), or CAN/CGA-B149, installation Code (Canada installation).
- Inspect the burner at least once a year.
- Keep burner and control compartment clean.
- **DO NOT** use this fireplace if any part has been under water. Immediately call a qualified service technician to inspect the fireplace and to replace any part of the control system and any gas control which has been under water.
- Any guard or other protective device removed for servicing the appliance must be replaced prior to operating the appliance.

# SAFETY INFORMATION FOR USERS OF PROPANE GAS

Propane is a flammable gas which can cause fires and explosions. In its natural state, propane is odorless and colorless. You may not know all the following safety precautions which can protect both you and your family from an accident. Read them carefully now, then review them point by point with the members of your household. Someday when there may not be a minute to lose, everyone's safety will depend on knowing exactly what to do. If, after reading the following information, you feel you still need more information, please contact your gas supplier.

## PROPANE GAS WARNING ODOR

**If a gas leak happens, you should be able to smell the gas because of the odorant put in the Propane Gas. That's your signal to go into immediate action!**

- Do not operate electric switches, light matches, use your phone. Do not do anything that could ignite the gas.
- Get everyone out of the building, vehicle, trailer, or area. Do that IMMEDIATELY.
- Close all gas tank or cylinder supply valves.
- Propane Gas is heavier than air and may settle in low areas such as basements. When you have reason to suspect a gas leak, keep out of basements and other low areas. Stay out until firefighters declare them to be safe.
- Use your neighbor's phone and call a trained Propane Gas service person and the fire department. Even though you may not continue to smell gas, do not turn on the gas again. Do not re-enter the building, vehicle, trailer, or area.
- **Finally**, let the service man and firefighters check for escaped gas. Have them air out the area before you return. Properly trained Propane Gas service people should repair the leak, then check and relight the gas fireplace for you.

## NO ODOR DETECTED - ODOR FADE

**Some people cannot smell well. Some people cannot smell the odor of the chemical put into the gas. You must find out if you can smell the odorant in propane.** Smoking can decrease your ability to smell. Being around an odor for a time can affect your sensitivity or ability to detect that odor. Sometimes other odors in the area mask the gas odor. People may not smell the gas odor or their minds are on something else. Thinking about smelling a gas odor can make it easier to smell.

**The odorant in Propane Gas is colorless, and it can fade under some circumstances.** For example, if there is an underground leak, the movement of the gas through soil can filter the odorant. Odorants in Propane Gas also are subject to oxidation. This fading can occur if there is rust inside the storage tank or in iron gas pipes.

The odorant in escaped gas can adsorb or absorb onto or into walls, masonry and other materials and fabrics in a room. That will take some of the odorant out of the gas, reducing its odor intensity.

Propane Gas may stratify in a closed area, and the odor intensity could vary at different levels. Since it is heavier than air, there may be more odor at lower levels. Always be sensitive to the slightest gas odor. If you detect any odor, treat it as a serious leak. Immediately go into action as instructed earlier.

## SOME POINTS TO REMEMBER

- Learn to recognize the odor of Propane Gas. Your local Propane Gas Dealer can give you a "Scratch and Sniff" pamphlet. Use it to find out what the propane odor smells like. If you suspect that your Propane Gas has a weak or abnormal odor, call your Propane Gas Dealer.
- If you are not qualified, do not light pilot lights, perform service, or make adjustments to fireplaces on the Propane Gas system. If you are qualified, consciously think about the odor of Propane Gas prior to and while lighting pilot lights or performing service or making adjustments.
- Sometimes a basement or a closed-up house has a musty smell that can cover up the Propane Gas odor. Do not try to light pilot lights, perform service, or make adjustments in an area where the conditions are such that you may not detect the odor if there has been a leak of Propane Gas.
- Odor fade, due to oxidation by rust or adsorption on walls of new cylinders and tanks, is possible. Therefore, people should be particularly alert and careful when new tanks or cylinders are placed in service. Odor fade can occur in new tanks, or reinstalled old tanks, if they are filled and allowed to set too long before refilling. Cylinders and tanks which have been out of service for a time may develop internal rust which will cause odor fade. If such conditions are suspected to exist, a periodic sniff test of the gas is advisable. **If you have any question about the gas odor, call your Propane Gas Dealer. A periodic sniff test of the Propane Gas is a good safety measure under any condition.**
- If, at any time, you do not smell the Propane Gas odorant and you think you should, assume you have a leak. Then take the same immediate action recommended above for the occasion when you do detect the odorized Propane Gas.
- If you experience a complete "gas out," (the container is under no vapor pressure), turn the tank valve off immediately. If the container valve is left on, the container may draw in some air through openings such as pilot light orifices. If this occurs, some new internal rusting could occur. If the valve is left open, then treat the container as a new tank. Always be sure your container is under vapor pressure by turning it off at the container before it goes completely empty or having it refilled before it is completely empty.

# PRODUCT SPECIFICATIONS

GAS SUPPLY PRESSURES (INCHES WATER COLUMN)			
Gas Type	Maximum	Minimum	Manifold
Natural	14	4.5	4.5
Propane	14	11	11

Model Number	OLL60FP12 (Natural)	OLL60FP12 (Propane)	OLL60SP12 (Natural)	OLL60SP12 (Propane)
Input BTU/Hr Maximum	65,000	65,000	65,000	65,000
Input BTU/Hr Minimum	39,000	37,000	39,000	37,000
KWH Maximum	19.05	19.05	19.05	19.05
KWH Minimum	11.43	10.84	11.43	10.84
Orifice	#14	#41	#14	#41
Air Shutter Setting	1/16" Open	Full Open	1/16" Open	Full Open
Gas Inlet Shut-Off Valve Pipe	1/2 NPT	1/2 NPT	1/2 NPT	1/2 NPT

## ACCESSORIES

DECORATIVE CRUSHED GLASS	
Required Decorative Crushed Glass Media Kits (10 Sq. Ft. Required for Burner and LED Lighting)	
Model	Description
DG1CLF*	Clear Frost

DECORATIVE CRUSHED GLASS (FOR ACCENT ONLY)	
Model	Description
DG1BKP*	Black Polished
DG1BUC*	Blue Clear

\*Clear Frost Decorative Crushed Glass is required. Decorative Glass Droplets cannot be substituted for crushed glass. One bag of crushed glass covers 1 sq. ft. Enough crushed glass to cover 10 sq. ft. is required. Glass colors may be mixed. The maximum amount of Crushed Decorative Glass allowed is 10 bags. Transparent and Translucent crushed glass will allow LEDs to better shine through.

DECORATIVE GLASS DROPS & DROPLETS (MAY BE USED IN ADDITION TO CRUSHED GLASS AS AN ENHANCEMENT)	
Model	Description
DG1NXS	1-in. Decorative Glass Drops - Onyx Solid
DG1RYC	1-in. Decorative Glass Drops - Ruby Clear
DG1TZC	1-in. Decorative Glass Drops - Topaz Clear
DG1AB	1/2-in. Decorative Glass Droplets - Aqua Blue
DG1GC	1/2-in. Decorative Glass Droplets -Glacier Ice
DG1SL	1/2-in. Decorative Glass Droplets -Sangria Luster

Note: Decorative Glass Droplets may be added on top of the crushed glass as an enhancement. Decorative Glass Droplets must not be placed in the burner flame. See Crushed Glass Installation, Page 22. Do not add more than one bag of Decorative glass droplets.

ACCESSORIES	
Model	Description
DT48LSS	Stainless Steel Drain Tray - (Fits 48 and 60-in. fireplaces)
WD60LSS	Stainless Steel Weather Door - 60-in (order two for see-through fireplaces)
WG60LT1	Deflector Glass for Windy Applications - 60-in (order two for see-through fireplaces)
35829	Natural to Propane Conversion Kit
35830	Propane to Natural Conversion Kit

# INTRODUCTION

## Instructions to Installer

1. Installer must leave instruction manual with owner after installation.
2. Installer must have owner fill out and mail registration card supplied with this fireplace or register online at [www.empirecomfort.com](http://www.empirecomfort.com).
3. Installer should show owner how to start and operate outdoor fireplace.

Always consult your local Building Department regarding regulations, codes or ordinances which apply to the installation of an outdoor gas fireplace.

### WARNING

**To avoid injury or damage to the fireplace or surrounding area, do not burn wood or other solid fuels in this fireplace.**

### WARNING

**ANY CHANGE TO THIS FIREPLACE OR ITS CONTROLS CAN BE DANGEROUS.  
Improper installation or use of the fireplace can cause serious injury or death from fire, burns, explosion or carbon monoxide poisoning.**

This series is design certified in accordance with **ANSI Z21.97/CSA 2.41 for Outdoor Gas Fireplaces** and should be installed according to these instructions.

**Any alteration of the original design, installing it other than as shown in these instructions or using a type of gas not shown on the rating plate, is the responsibility of the person and company making the change.**

## Manual Valve Safety System

When the burner ignites, a thermocouple senses a signal (electrical current) that energizes a magnet in the gas valve. After 30 to 60 seconds, the control knob can be released. If the thermocouple does not sense the flame, the gas will shut off.

## Important

All correspondence should refer to complete Model Number, Serial Number and type of gas.

## Moisture Resistance

This outdoor fireplace will shed moderate amounts of water, but is not waterproof. Water and condensing water vapor may enter the chase under certain conditions.

The fireplace will not perform as an exterior wall. Moisture penetration must be considered for construction that places the fireplace in structure walls or on moisture sensitive surfaces.

When installed on exterior walls: Empire Comfort Systems recommends the fireplace chase be constructed outside the structure's weather envelope. Where the platform meets the wall, use a flashing detail similar to that required for attached decks. Chase platforms, including hearths should slope away from the structure at 1/4 in. per foot. The fireplace can be shimmed level.

When installed on surfaces where water may collect or cause damage: Empire Comfort Systems recommends a slope of 1/8 to 1/4 in. per foot towards the drain port suggested. The fireplace can be shimmed level.

Hearths should slope away from the front of the fireplace and chase at 1/8 in. to 1/4 in. per foot. Metal safety strips must be on top of any combustible hearth materials used for moisture management.

When purchasing a firebox or fireplace we recommend you also buy a weather cover to protect the unit from moisture. Never install a burner where moisture cannot drain off easily. We recommend a weather barrier to protect the burner from moisture.

## Qualified Installing Agency

Installation and replacement of gas piping, gas utilization equipment or accessories and repair and servicing of equipment shall be performed only by a qualified agency. The term "qualified agency" means any individual, firm, corporation or company which either in person or through a representative is engaged in and is responsible for (a) the installation or replacement of gas piping or (b) the connection, installation, repair or servicing of equipment, who is experienced in such work, familiar with all precautions required and has complied with all the requirements of the authority having jurisdiction.

## Local Codes

- When the fireplace is connected to a fixed piping system, the installation must conform with local codes, or in the absence of local codes with the *National Fuel Gas Code, ANSI Z223.1/NFPA 54*, or *International Fuel Gas Code*.
- When installed, the fireplace must be electrically grounded in accordance with local codes, or in the absence of local codes with the *National Electrical Code, ANSI/NFPA 70*, if applicable.

Commonwealth of Massachusetts: The installation must be made by a licensed plumber or gas fitter in the Commonwealth of Massachusetts.

The installation must conform with local codes or, in the absence of local codes, with the National Fuel Gas Code, ANSI Z223.1.\*

\*Available from the American National Standards Institute, Inc. 1430 Broadway, New York, N.Y. 10018.

## High Altitudes

For altitudes/elevations above 2,000 feet (610m), ratings should be reduced at the rate of 4 percent for each 1,000 feet (305m) above sea level. Contact the manufacturer or your gas company before changing spud/orifice size.

## Well Head Gas Installations

Some natural gas utilities use "well head" gas. This may affect the Btu output of the unit. Contact the gas company for the heating value. Contact the manufacturer or your gas company before changing spud/orifice size.



# COMBUSTIBLE MATERIALS

Do not attach combustible material to the mantel of your fireplace. This is a fire hazard.

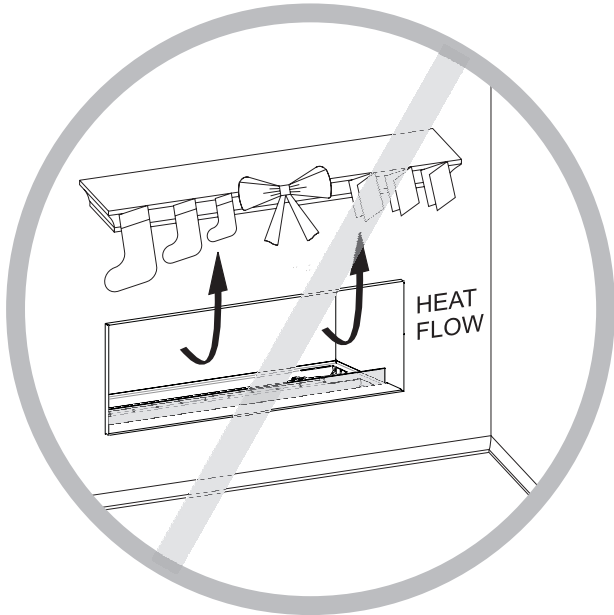


Figure 1

No greeting cards, stockings or ornamentation of any type should be placed on or attached to the fireplace. This is a heating appliance. The flow of heat can ignite combustibles.

**NOTE:** For see-thru fireplaces, this applies to both sides of the unit.

## Television Considerations

Installing a television above a fireplace has become increasingly popular; however, the area above any fireplace gets hot and most TV manufacturers recommend against placing their products near a heat source.

If you install a television above this fireplace, Empire Comfort Systems accepts no responsibility for damage or injuries. Follow the television manufacturer's installation instructions, including any recommendations regarding proximity to heat sources.

If you have a TV above your fireplace, turn off the fireplace and let it cool completely before servicing or touching any buttons on the TV.

# CLEARANCES

## Minimum Wall and Ceiling Clearances

**Sidewall Clearances:** The clearance from the inside of the fireplace to any combustible wall should not be less than 6 in.

**Ceiling Clearances:** The ceiling height should not be less than 24 in. from the top opening.

**Mantel Clearances:** If a combustible mantel is installed, it must meet the clearance requirements detailed in **Figure 2**.

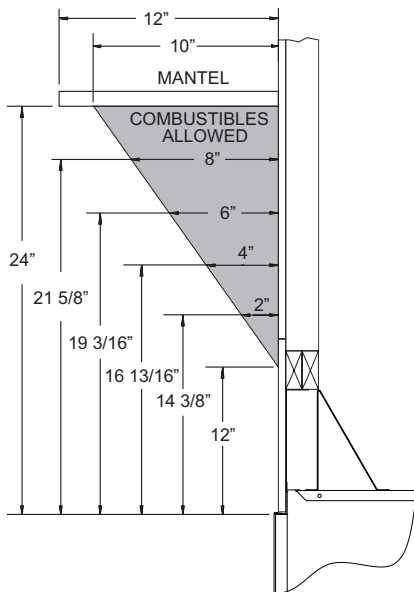
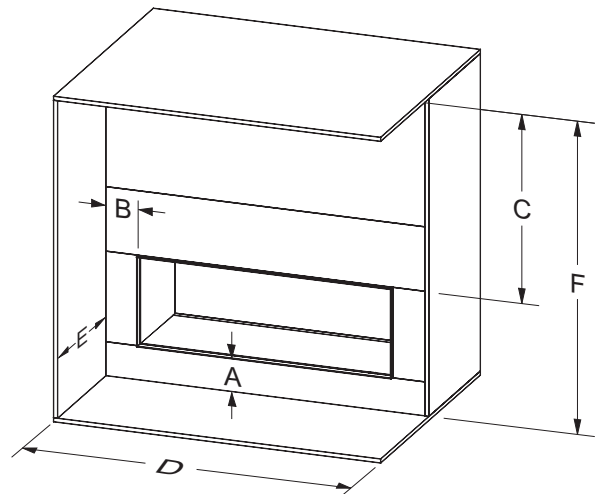


Figure 2 - Mantel Clearances

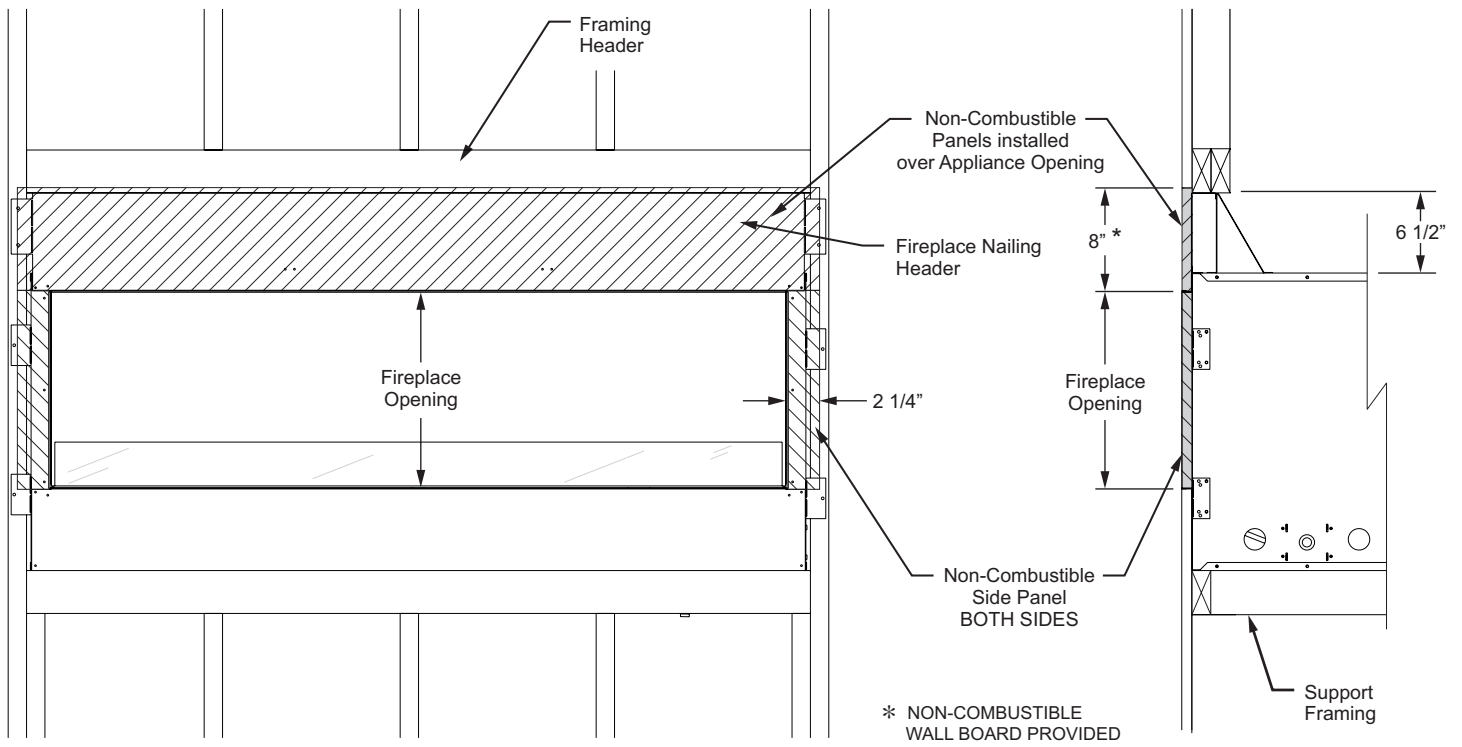


Index Letter	Description	Dimension from Fireplace Opening (in inches)
A	From ground or other combustible surface	10-1/4*
B	From Side Walls	6
C	From Ceiling (minimum)	24
D	Alcove Width (minimum)	72
E	Alcove Depth (maximum)	24
F	Ceiling Height (minimum)	90

\*Note: Dimension A includes 3-1/2 in. under fireplace for support framing and drain tray installation.

Figure 3 - Alcove Clearances

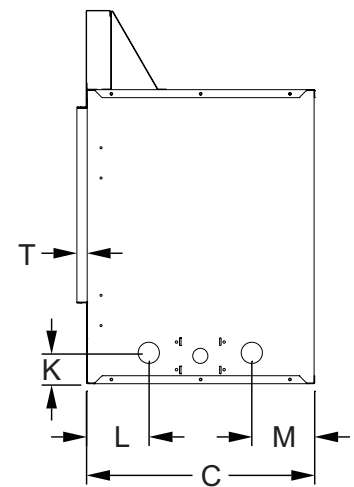
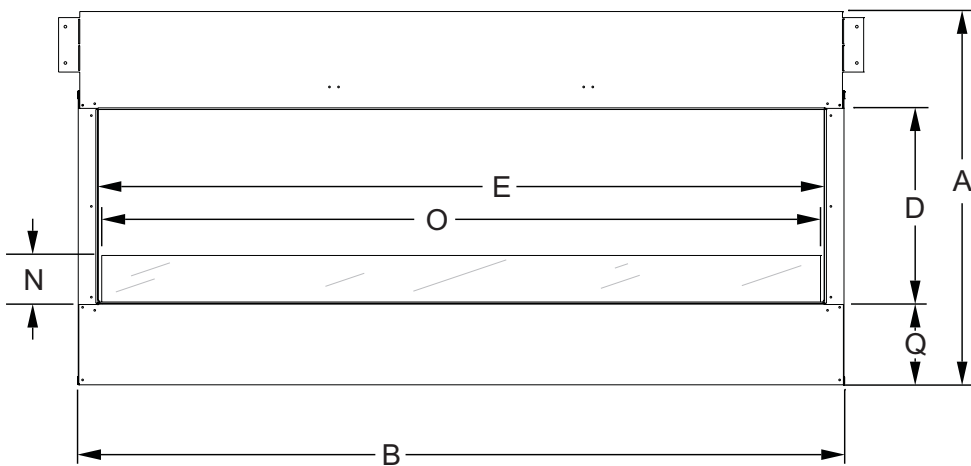
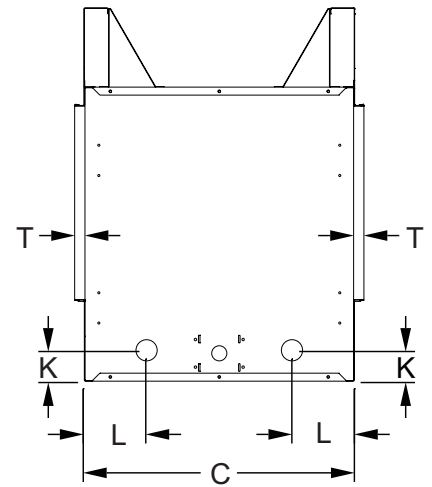
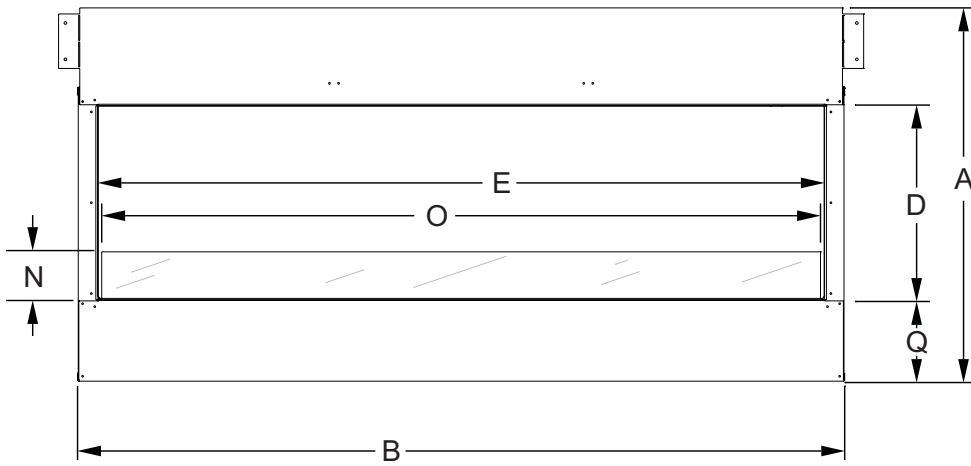
# CLEARANCES



**Figure 4**  
**Front and Side View of Non-Combustible Panel to Opening on Fireplace's Face**

**\*NOTE:** 8-in. minimum of non-combustible material is required above the fireplace opening. 16-in. of non-combustible material is provided to allow for placement of wall joint in a cooler temperature zone.

# FIREPLACE DIMENSIONS



INDEX LETTER	DIMENSION DESCRIPTION	OLL60FP	OLL60SP
		Dimensions in Inches	
A	The maximum height of firebox face	30-7/8	30-7/8
B	The maximum width of the firebox face (excluding nailing flanges)	63-3/4	63-3/4
C	The maximum depth of the firebox	19-1/8	22-1/2
D	The height of the firebox opening	16-3/16	16-3/16
E	The width of the firebox opening	60	60
F	The interior depth of the firebox (not shown)	19	23-7/8
G	The rear exterior width of the firebox (not shown)	60	60
K	Height from the bottom of the box to the gas line opening	2-9/16	2-9/16
L	Depth from the front of the box to gas line opening	5-3/16	5-3/16
M	Depth from rear of box to gas line opening	5-3/16	N/A
N	Glass height	3-1/2	3-1/2
O	Glass width	59-3/8	59-3/8
Q	Distance from floor to fireplace opening	6-11/16	6-11/16

N/A - Not applicable for this unit.

# PLANNING INSTALLATION

## What to Consider Before Installing

1. Verify fireplace gas type and gas supply type are the same.
2. Look for a location where combustibles will not interfere.
3. 120V GFI power outlet will be needed for LED lights
4. Choose a location for gas shutoff valve.
5. Verify ventilation meets at least minimum requirements
6. Wind and rain direction
7. Drainage under fireplace.
8. Drain pan and weather door accessories.
9. Glass accessories

When planning the installation for the fireplace, determine where the unit is to be installed and whether optional accessories are desired. Gas supply piping should also be planned at this time.

The fireplace can be mounted on any of these surfaces:

1. A raised frame of combustible material so contact is made on all four perimeter edges of the bottom of the fireplace at least 3-1/2 in. above the floor.
2. Four corners of the fireplace so contact is made on all four perimeter edges on the bottom of the unit at least 3-1/2 in. above the floor. Check local codes for allowances.

At this point, you should have decided what components to include in your installation, and where the fireplace is to be located. If this has not been done, stop and consult your dealer for assistance with this planning.

### WARNING

**This fireplace is intended for installation on an outdoor patio or yard. This fireplace shall be used only outdoors in a well ventilated space and shall NOT be used in a building, garage, or other enclosed area. This fireplace cannot be installed with an opening to the inside of a residence.**

**NOTICE:** This fireplace is NOT equipped with an Oxygen Depletion Sensor (ODS) pilot.

Installation of the fireplace may be in an "open" area, however it is recommended that this fireplace be installed in an area sheltered from direct winds. Direct wind will cause an erratic flame and possible burner outage. This erratic flame could also lead to excessive black soot. These are nuisance issues rather than safety issues. Avoid areas where excessive moisture or running water may be near or on fireplace.

Typical installation may include covered patio, open porch, gazebo or an outside wall of a house.

- Minimum porch area – 96 square feet
- Minimum ceiling height – 90 inches

LED Lights will require a 120V GFI power outlet on the valve side of the fireplace. The GFI plug will be located outside of the fireplace. A junction box is provided inside the fireplace to provide a location to plug in the LEDs.

## Outdoor Fireplace Enclosure Requirements

Do not install fireplace until all necessary provisions are made for combustion and ventilation air. Consult the written instructions provided with the fireplace for information concerning combustion and ventilation air. In the absence of instructions, refer to the National Fuel Gas Code, ANSI Z223.1/NFPA 54, Air for Combustion and Ventilation, or applicable local codes.

Installation in partial enclosures must conform with one of the following conditions:

- With walls on all sides, but with no overhead cover.  
**See Figure 5.**

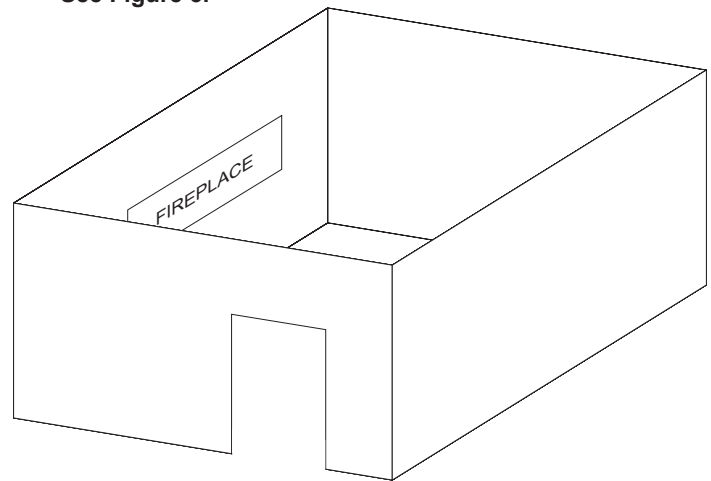


Figure 5

- Within a partial enclosure which includes an overhead cover and no more than two side walls. These side walls may be parallel, as in a breezeway or at right angles to each side.  
**See Figure 6.**

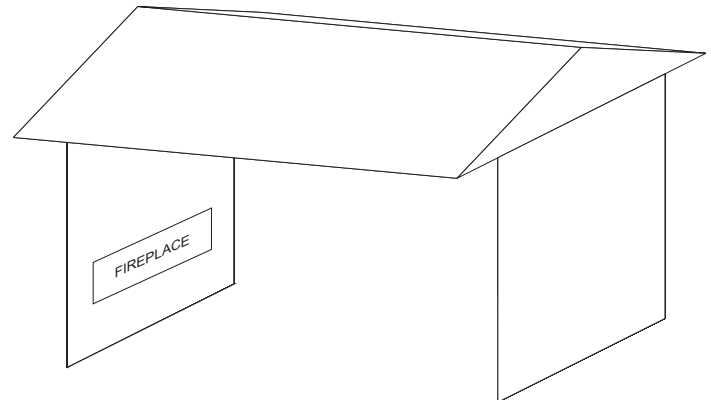


Figure 6

# PLANNING INSTALLATION (CONT'D)

- Within a partial enclosure that includes an overhead cover and three side walls, as long as 30 percent or more of the horizontal periphery (perimeter of walls and open side) of the enclosure is permanently open. See Figure 7.

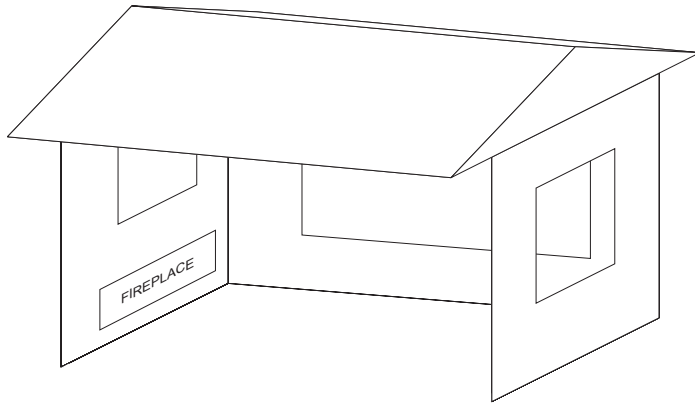


Figure 7

If installing in a screened in porch, the open space must be adjusted (increased) from 30 percent (adjusted open space = 30% / % open area of the screen mesh). "Example, if you used a screen with a 66% open area, the minimum open space of your building must be 46% of the periphery. If you have a covered screened-in porch that has two side walls that are 16', one wall that was against the house that's 20' and one open side that's 20', you would have a perimeter of 72'. You would need to have 33' of the perimeter open (72' x 46% = 33')."

**(Contact your screen manufacturer or screen dealer to determine your screens open area).**

### ATTENTION: Vinyl Soffit, Vinyl Ceiling, Vinyl Overhang Disclaimer

Clearances are to heat resistant material (i.e. wood, metal). This does not include vinyl. Empire Comfort Systems Inc. will not be held responsible for heat damage caused from terminating under vinyl overhangs, vinyl ceilings or vinyl ventilated/unventilated soffits.

### ⚠ WARNING

**Improper installation, adjustment, alteration, service or maintenance can cause property damage, personal injury or loss of life. Installation and service must be performed by a qualified installer, service agency or the gas supplier.**

### Gas Line Connection

The fireplace is designed to accept a 1/2 in. gas line. Have the line installed by a qualified service person in accordance with all building codes. Consult local building codes to properly size the gas supply line leading to the 1/2 in. hook-up at the unit. The state of Massachusetts requires that a flexible fireplace connector cannot exceed three feet in length.

A flex-line connection to the valves is provided. **The gas shut-off valve must be located outside of the unit in an accessible area.**

Check gas type on the rating label located on the back of the control door. If the gas listed on the rating label located on the control panel, does not match your gas supply, DO NOT INSTALL. Contact your dealer for proper model or conversion kit.

Always use an external regulator for all Propane fireplaces to reduce the supply tank pressure to a maximum of 13 in. w.c.

### ⚠ WARNING

**Connection directly to an unregulated Propane Tank can cause an explosion.**

### ⚠ WARNING

**Risk of fire, explosion or asphyxiation. Ensure no ignition, flame or spark are near during installation. This includes cigarettes or cell phones.**

Leak test all connections with a soap and water solution. Bubble formation will indicate a leak. Use caution to avoid burns.

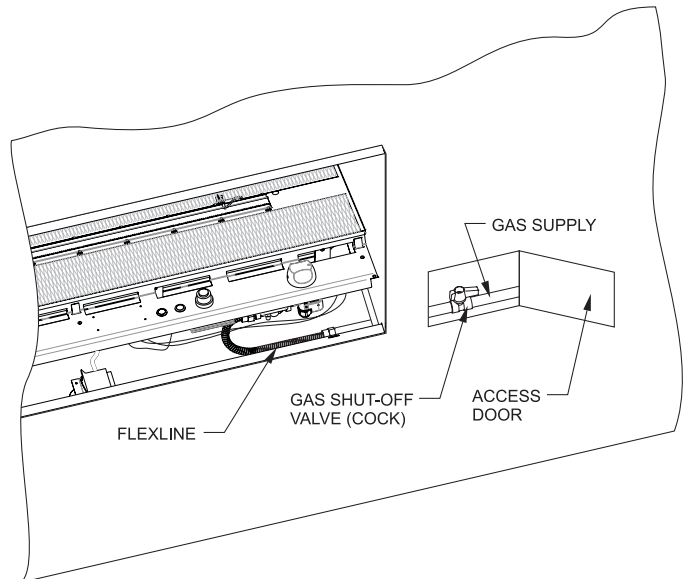


Figure 8

### Water Drainage Requirement\*

Provisions must be made to drain water away from the unit. An optional drain pan can be purchased from your Empire Dealer to fit under the fireplace. If installing the optional drain pan, it must be installed prior to installing the fireplace. For more information, refer to the installation instructions supplied with the drain pan. If this drain is not used, other water drainage is required.

\*If installing a drain tray accessory, add at least 6 inches more to the height of the enclosure to allow enough space for the drain pan, connector, and tubing clearance.

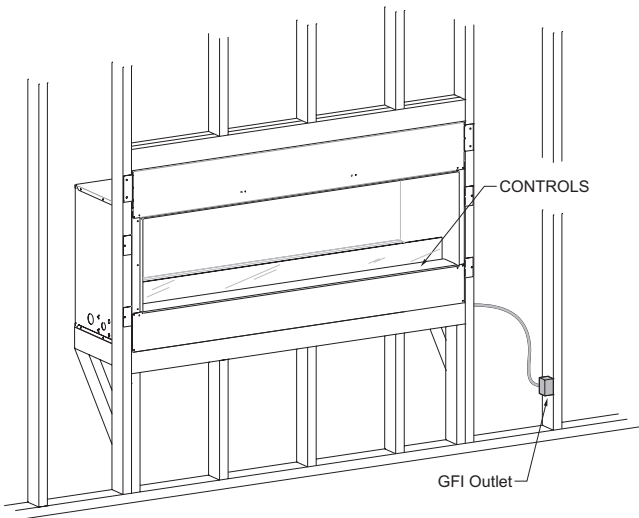
# PLANNING INSTALLATION (CONT'D)

## Electrical Considerations

### **⚠ CAUTION**

All wiring should be done by a qualified electrician and shall be in compliance with all local, city and state building codes. Before making the electrical connection, make sure that the main power supply is disconnected. The fireplace, when installed, must be electrically grounded in accordance with local codes, or in the absence of local codes, with the National Electrical Code ANSI/NFPA 70 (Latest Edition).

A factory installed junction box is located on the lower right side of the fireplace. The junction box and wiring may be relocated to the opposite side of the fireplace if desired. Wiring to the junction box must be metal clad or enclosed in a conduit and must be approved for outdoor use. Connect the wiring to an external GFI protected outlet installed near the fireplace. See Figure 9.



**Figure 9**

# FIREPLACE FRAMING AND INSTALLATION

## FRAMING & INSTALLATION

### Unpacking the Fireplace

After removal of the plastic wrap, remove the screws holding the corner posts and plywood to the fireplace. Discard the corner posts and plywood.

The non-combustible board is under the fireplace on the pallet. Remove any protective film from fireplace and all components (nailing flanges, nailing headers, etc.).

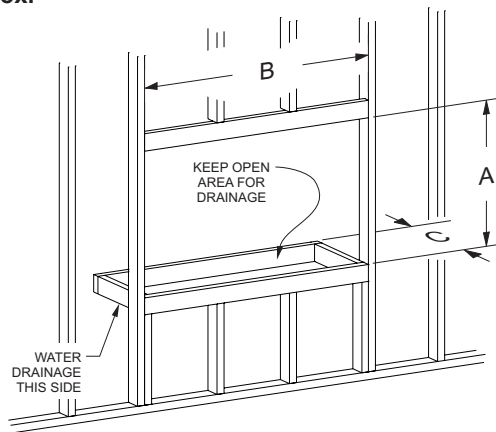
### Framing

Fireplace support framing should be built before the fireplace is set in place. The fireplace framing may be constructed of 2 x 4 lumber. The framing headers must rest on the fireplace nailing headers. Refer to **Figure 11** for minimum framing dimensions.

#### CAUTION

Measure fireplace dimensions and verify framing methods, and wall covering details before framing construction begins.

Framing dimension A includes a 16-1/2 in. clearance for nailing headers on firebox. After installing firebox into framing, the finished wall surface must cover the 16-1/2 in. opening above the firebox.



FRAMING DIMENSIONS (in inches)		
	OLL60FP	OLL60SP
Height A	31	31
Width B	64	64
Depth C	19-1/4	22-1/2

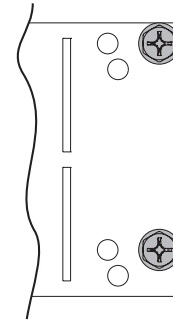
**Figure 11 - Fireplace Framing**

Before completing the framing and installing fireplace, provide a path for water drainage out of the fireplace.

Determine if the optional accessory drain pan will be used. See Page 12. If the drain pan will be installed, follow the instructions provided with the drain pan kit to install it at this point.

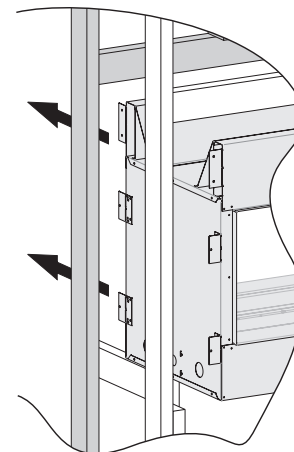
### Installation

1. Choose installation location.
2. Construct the support framing for the fireplace. See framing dimensions, **Figure 11**. See Clearances, Pages 8 and 9.
3. Locate the nailing flanges in the installation envelope and attach them to the sides of the fireplace with two #10-32x1/2 hex screws each.



**Figure 12 - Nailing Flange Position**

4. Bend the nailing flange tabs out at right angles until they are flush with the face of the fireplace.  
**For see-through fireplaces only:** Bend the tabs on one side of the fireplace only. Bend the tabs on the top header of the opposite face at right angles to allow the tabs to clear the enclosure framing when sliding the fireplace into position. **See Figure 13.**
5. Lift the fireplace and set into the frame. Slide the fireplace back until nailing flanges meet the frame. Secure the fireplace to the frame with one #8x1 drywall screw each. For see-thru fireplaces, bend the back side nailing flanges out and right angles and secure with one #8x1 drywall screw each.



**Figure 13**

# FIREPLACE FRAMING AND INSTALLATION

## FRAMING & INSTALLATION

6. Secure the nailing header to the side framing studs with four #8 x 1 drywall screws
7. To connect the gas line and install the electrical connection, the burner assembly must be tilted upward in the fireplace.
  - a. Remove the control door by opening the door, removing the center pivot pin, and lifting the door upward to disengage the slots on the ends of the door from the pivot pins.
  - b. Remove the two control door pivot bolts and washers.  
**See Figure 14.**

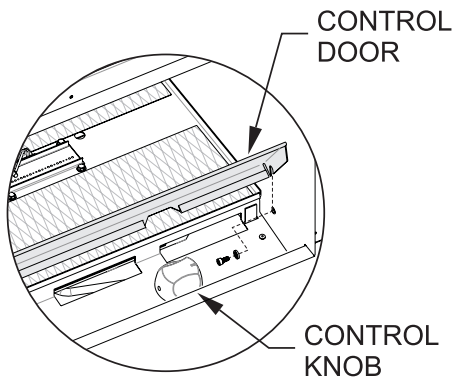


Figure 14

- c. Remove two screws from front corners of the control panel with a Phillips head screw driver. **See Figure 15.**

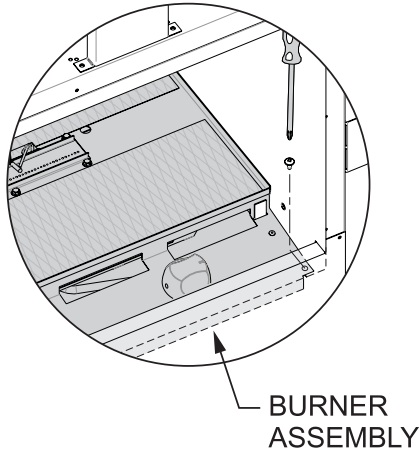


Figure 15

- d. Lift front of burner assembly and tilt upwards and toward the back of the fireplace. Retrieve the two supports from inside the fireplace and place one each side against the front corners of the cabinet bottom and under the front corners of the control panel.  
**NOTE:** Use care when raising the burner to avoid scratching the stainless interior of the fireplace.

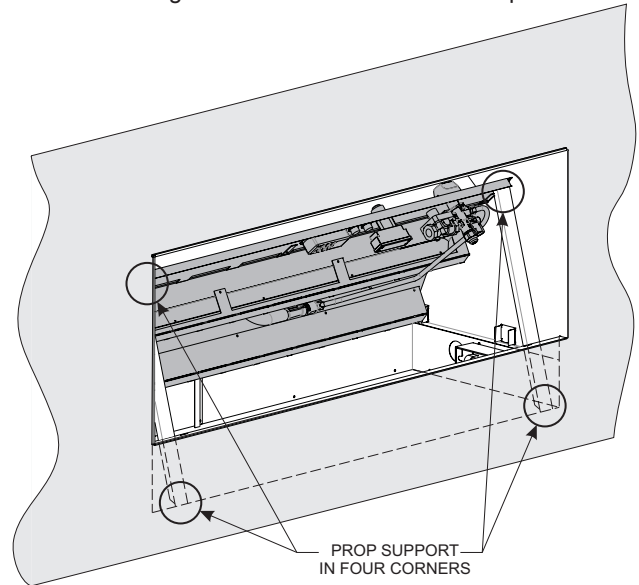


Figure 16

8. Install gas and electrical supplies to fireplace. See page 17 for gas supply requirements. For ease of installation, the gas and electrical supply are located on the valve side of the fireplace. Both may be relocated to enter the opposite side of the fireplace.



# FIREPLACE FRAMING AND INSTALLATION

## ELECTRICAL SUPPLY

### ⚠ CAUTION

All wiring should be done by a qualified electrician and shall be in compliance with all local, city and state building codes. Before making the electrical connection, make sure that the main power supply is disconnected. The fireplace, when installed, must be electrically grounded in accordance with local codes, or in the absence of local codes, with the National Electrical Code ANSI/NFPA 70 (Latest Edition).

Wiring to the junction box must be metal clad or enclosed in a conduit and must be approved for outdoor use. A connector for the junction box to accommodate 1/2-in. conduit is supplied in the instruction envelope. The fireplace receptacle must be connected to an external GFI protected outlet installed near the fireplace. See Figure 17.

Route the wiring from the external GFI outlet through the conduit to the junction box. Leave approximately 6-in. of wire in the junction box for connection.

Retrieve the receptacle and cover from the instruction envelope. Attach the black wire to the gold screw and white wire to the silver screw of the receptacle. The ground wire should be attached to the green ground screw on the junction box and the receptacle.

Place receptacle in position and attach cover plate. Make sure the cover plate doors open upward. Be sure to test the receptacle to ensure the GFI circuit functions properly. Plug transformer power cord into receptacle, and close the unused receptacle door.

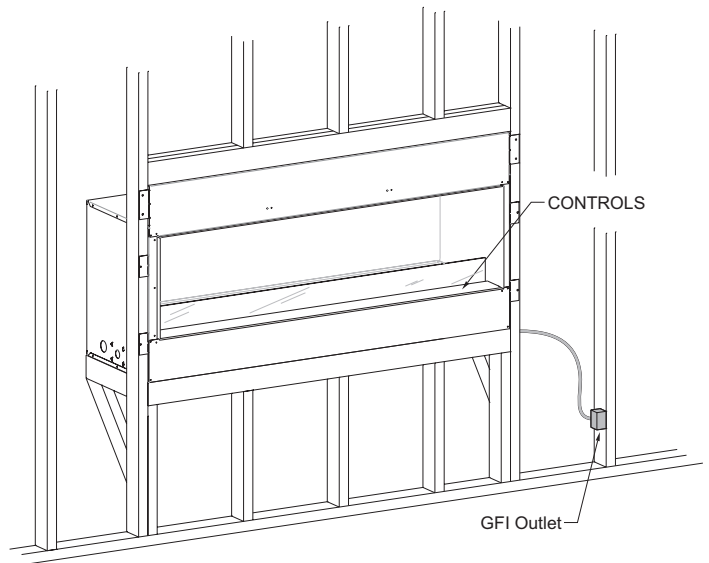


Figure 17

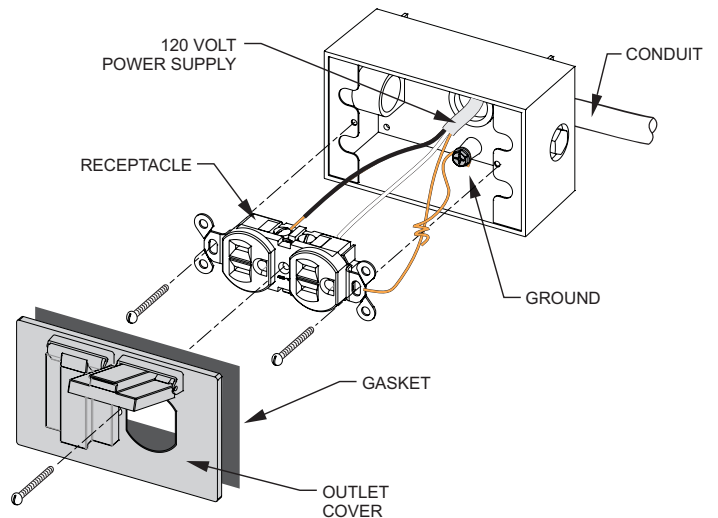


Figure 18

# FIREPLACE FRAMING AND INSTALLATION

## GAS SUPPLY

- Solid fuels shall not be burned in this fireplace.
- The maximum gas inlet supply pressure is 11 in. for Propane and 10.5 in. for Natural.
- For fireplaces for fixed fuel piping system and equipped with a fireplace gas pressure regulator, the required manifold pressure in inches water column: 11 in. for Propane and 4.5 in. Natural.
- For fireplaces for fixed fuel piping system and equipped with a fireplace gas pressure regulator, the fireplace and its individual shutoff valve must be disconnected from the gas supply piping system during any pressure testing of that system at test pressures in excess of 1/2 psi (3.5 kPa). The fireplace must be isolated from the gas supply piping system by closing its individual manual shutoff valve during any pressure testing of the gas supply piping system at test pressures equal to or less than 1/2 psi (3.5 kPa).

Check all local codes for requirements, especially for the size and type of gas supply line required.

RECOMMENDED MINIMUM GAS PIPE DIAMETER				
Pipe Length	Schedule 40 Pipe Inside Diameter		Tubing, Type L Outside Diameter	
	Natural	Propane	Natural	Propane
0-10 feet 0-3 meters	1/2 in. 12.7mm	3/8 in. 9.5mm	1/2 in. 12.7mm	3/8 in. 9.5mm
10-40 feet 4-12 meters	1/2 in. 12.7mm	1/2 in. 12.7mm	5/8 in. 15.9mm	1/2 in. 12.7mm
40-100 feet 13-30 meters	1/2 in. 12.7mm	1/2 in. 12.7mm	3/4 in. 19mm	1/2 in. 12.7mm
100-150 feet 31-46 meters	3/4 in. 19mm	1/2 in. 12.7mm	7/8 in. 22.2mm	3/4 in. 19mm

**NOTE:** Check to confirm whether your local codes allow plastic or copper tubing for outdoor use.

**NOTE:** Because some municipalities have additional local codes, consult your local authority and installation code.

### Installing a Manual Gas Shut-Off Valve

Each fireplace must have an accessible manual gas shut-off valve located in the vicinity of the unit. Where none exists, or where its size or location is not adequate, contact your local authorized installer for installation or relocation.

Compounds used on threaded joints of gas piping shall be resistant to the action of liquefied petroleum gases. The gas lines must be checked for leaks by the installer. This should be done with a soap solution watching for bubbles on all exposed connections, and if unexposed, a pressure test should be made. To avoid damage to the gas piping, removal all testing solution when testing is complete.

### **⚠ WARNING**

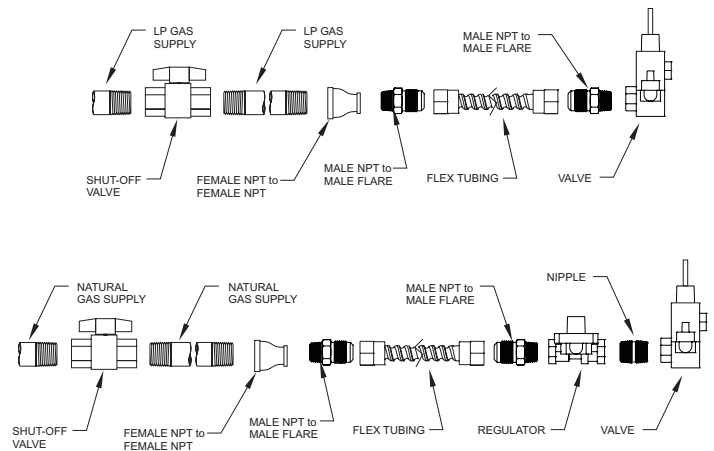
**Never use an exposed flame to check for leaks. Fireplace must be disconnected from piping at inlet of control valve and pipe capped or plugged for pressure test. Never pressure test with fireplace connected; control valve will sustain damage!**

A gas valve and ground joint union should be installed in the gas line upstream of the gas control to aid in servicing. It is required by the National Fuel Gas Code that a drip line be installed near the gas inlet. This should consist of a vertical length of pipe connected into the gas line by a tee fitting with a cap on the bottom in which condensation and foreign particles may collect.

The use of the following gas connectors is recommended:

- ANSI Z21.24 Appliance Connectors of Corrugated Metal Tubing and Fittings
- ANSI Z21.45 Assembled Flexible Appliance Connectors of Other Than All-Metal Construction

The above connectors may be used if acceptable by the authority having jurisdiction. The Commonwealth of Massachusetts requires that a flexible appliance connector cannot exceed three feet in length.



**Figure 19**

**NOTE:** Gas shut-off valve shown. Other valves approved to use with gas allowed.

Flex tubing to valve is pre-installed at the factory. Flare connector is located in the envelope.

An accessible manual gas shut off valve must be installed external to the fireplace.

# FIREPLACE FRAMING AND INSTALLATION

## PROPANE GAS CYLINDER INFORMATION

### WARNING

If these instructions are not followed exactly, a fire causing death or serious injury may occur.

#### Propane Cylinder Specifications

This fireplace can be used with a non-disposable self-contained Propane Gas supply system:

- Propane cylinders may be acceptable for use with the fireplace provided they are compatible with the fireplace retention means.
- Propane Gas supply cylinder must be constructed and marked in accordance with the *U.S. Department of Transportation (D.O.T.) Specifications for Propane Gas Cylinders*, or the *Standard for Cylinders, Spheres and Tubes for Transportation of Dangerous Goods and Commission, CAN/CSA-B339* as applicable.
- Propane Gas supply cylinders between 4 and 40 pounds must have an overfill prevention device.
- Propane Gas supply cylinder must have a connection device compatible with the connection of the fireplace.
- If the fireplace is equipped with a CGA No. 600 Cylinder Connection Device, the cylinder must be disconnected when the fireplace is not in use.
- If fireplace is to be permanently connected to a gas piping system from a remote supply tank, installation must be in accordance with local codes or, in the absence of local codes, with the *National Fuel Gas Codes ANSI Z223.1/NFPA 54*.
- A dented or rusty cylinder may be hazardous and should be checked by your propane supplier. Never use a cylinder with a damaged valve.
- This fireplace may be used with a 20 lb. (9.1 kg) or 30 lb (13.6 kg) size propane cylinder only (not supplied).
- The propane cylinder must be provided with a shut-off valve terminating in a propane cylinder valve type QCC1, and a safety relief device having direct communication with the vapor space of the cylinder.
- The cylinder supply system must be arranged for vapor withdrawal and the cylinder shall include a collar to protect the cylinder valve.
- The Propane Gas cylinder must be provided with a listed overfill protection device (OPD). Never fill the cylinder beyond 80 percent full.
- Do not store a spare Propane Gas cylinder under or near this fireplace.
- Use only a pressure regulator and hose assembly that supplies a pressure of 11 in. water column to the fireplace and has a QCC1 type fitting.
- Cylinders to be used with this unit must be supplied with a QCC1 cylinder valve. A QCC1 cylinder has a positive seating connection, which will not allow gas flow until a positive seal has been achieved. It is also equipped with an excess flow device. In order to attain full flow to the fireplace, the valve must be in the off position when the cylinder valve is turned on.

### WARNING

A fire will result if the gas supply hose makes contact with the underside of the fireplace.

#### Propane Gas

Attach cylinder retaining bracket supplied to the base of the cylinder. Then secure to the surface to which it sits. Cylinder should be on a level surface.

#### Cylinder Retaining Bracket

1. Fasten the bracket to the bottom of the propane bottle using bolt and nut (not supplied).
2. Tighten the lag screw into the mounting surface leaving approximately 1/4 in. of thread above the surface.
3. Slide propane bottle into position so that the bracket slides under the head of the lag screw.
4. Tighten the lag screw onto the bracket.
5. For fastening to a concrete surface a concrete anchor will be required. (Not supplied)

**Cylinder Connection:** Ensure the gas regulator hose is kink free. Remove the cap or plug from the cylinder fuel valve. Insert the black QCC1 regulator nipple onto the QCC1 fuel valve. Hand tighten clockwise. Do not use tools. Leak test all joints prior to using the fireplace. A leak test must be performed annually and each time a cylinder is hooked up or if a part of the gas system is replaced. If this fireplace is to be connected directly to a house propane gas supply line, follow the instructions for the natural gas hook-up.

#### Safety Considerations

- Make sure cylinder valve is in its full off position. (Turn clockwise to stop).
- Check cylinder valve features to ensure it has proper external mating threads. (Cylinder Valve Marked: USE WITH TYPE 1)
- Inspect hose for damage. Never attempt to use damaged or plugged equipment. See your local Propane Gas Dealer for repairs.
- When connecting regulator assembly to the cylinder valve, hand tighten black QCC1 nut clockwise to a positive stop. DO NOT use a wrench to tighten. Use of a wrench may damage the quick closing coupling nut and result in a hazardous condition.
- Locate the hose out of pathways where people may trip over it or in areas where the hose may be subject to accidental damage.
- Open cylinder valve fully (counter-clockwise). Turn the shut off valve at the unit slowly to the on position and use a soapy water solution to check all connections for leaks as indicated in the diagrams before attempting to light the fireplace. If a leak is found, turn tank valve off and do not use the fireplace until repairs can be made.

# FIREPLACE FRAMING AND INSTALLATION

## PROPANE GAS CYLINDER INFORMATION

### Enclosures For Propane Gas Supply Systems

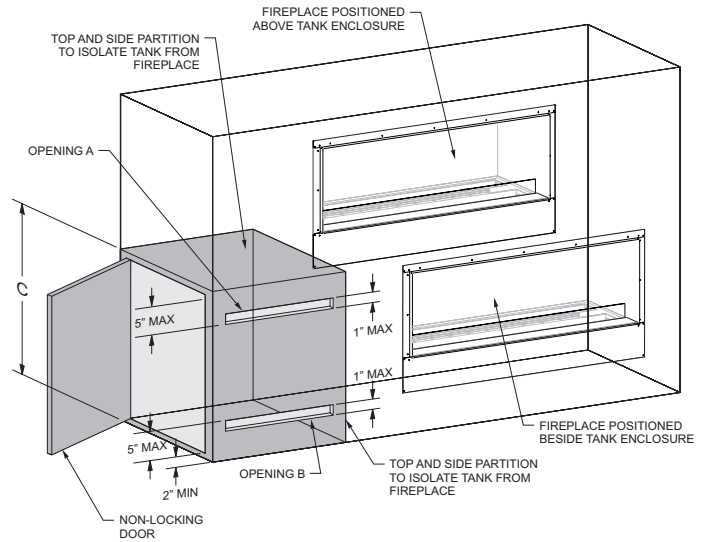
Enclosures for Propane Gas supply cylinders shall be ventilated by openings at the level of the cylinder valve and at floor level. The effectiveness of the opening(s) for purposes of ventilation shall be determined with the Propane Gas supply cylinder(s) in place. This shall be accomplished by one of the following.

- a. One side of the enclosure shall be completely open; or
  - b. For an enclosure having four sides, a top and a bottom:
    1. At least two ventilation openings at cylinder valve level shall be provided in the side wall, equally sized, spaced at 180 degrees (3.14 rad), and unobstructed. Each opening shall have a total free area of not less than 1/2 sq in per pound (2.3 sq. cm/kg) of stored fuel capacity and not less than a total free area of 10 sq in (64.5 sq. cm).
    2. Ventilation opening(s) shall be provided at floor level and shall have a total free area of not less than 1/2 sq in per pound (3.2 sq. cm/kg) of stored fuel capacity and not less than a total free area of 10 sq in (64.5 sq. cm). If ventilation openings at floor level are in a side wall, there shall be at least two openings. The bottom of the openings shall be at floor level and the upper edge no more than 5 in. (127 mm) above the floor. The openings shall be equally sized, spaced at 180 degrees (3.14 rad) and unobstructed.
    3. Every opening shall have minimum dimensions so as to permit the entrance of a 1/8 in. (3.2 mm) diameter rod.
    4. There shall be a minimum clearance of 2 in. (51 mm) between the lower surface of the floor of the Propane Gas supply cylinder enclosure and the ground.
- Cylinder valves shall be readily accessible for hand operation. A door on the enclosure to gain access to the cylinder valves is acceptable, provided it is non-locking and can be opened without the use of tools.
  - The design of the fireplace shall be such that (1) the Propane Gas supply cylinder(s) can be connected, disconnected and the connections inspected and tested outside the cylinder enclosure; and (2) those connections which could be disturbed when installing the cylinder(s) in the enclosure can be leak tested inside the enclosure;
  - Ventilation openings in sidewalls shall not communicate directly with other enclosures of the fireplace.

The enclosure for the Propane Gas cylinder shall isolate the cylinder from the burner compartment to provide:

- a. Shielding from heat radiation;
- b. A flame barrier; and
- c. Protection from foreign material.

**Be certain to mount the Propane Gas cylinder on a flat surface and restrain it using a cylinder retaining bracket to prevent it from tipping.**



Cylinder Size	Opening Area A	Opening Area B	Recommended Dimension C
20lb (9.1kg)	20 sq.in. (130cm <sup>2</sup> )	10 sq.in. (65cm <sup>2</sup> )	34 in. (863mm)
30lb (13.6kg)	30 sq.in. (195cm <sup>2</sup> )	15 sq.in. (100cm <sup>2</sup> )	34 in. (863mm)

**NOTE:** There shall be a minimum clearance of 2 in. (51 mm) between the lower surface of the floor of the Propane Gas supply cylinder enclosure and the ground.

**Figure 20**

# FIREPLACE FRAMING AND INSTALLATION

## FINISHING

1. After gas and electrical hookup is completed, lower and secure the burner assembly (leave two supports in bottom of fireplace for future use) with the two screws removed in Step 7 on page 15.
2. Install the glass wind panel (two used on see-through fireplaces). The glass panel has a low emission (low-E) coating applied to one side. The panel must be installed with the low-E coating facing the burner. The panel will have a sticker located in the bottom corner of the side which has the low-E coating. Install the glass panel with the sticker facing the burner and the bottom of the panel. **See Figure 21.**

**DO NOT REMOVE THE STICKER** before installing the glass panel. It is located on the panel such that it should not be visible after the control door is installed. This will allow easy identification of the low-E side of the glass if the glass panel is ever removed for service.

If the sticker is not on the glass panel, the low-E side of the glass can be determined by using a multimeter/ohmmeter. The low-E coating will conduct electricity. Set the meter to read resistance ( $\Omega$ ). Hold the probes against the glass surface approximately 1 inch apart. If the meter displays a resistance reading (indicating continuity), this is the side of the glass panel which has the low-E coating.

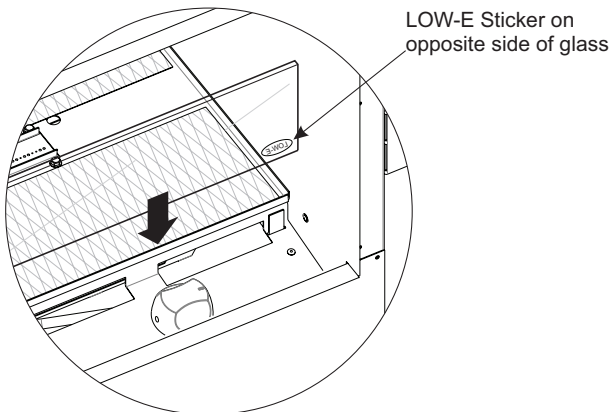


Figure 21

3. Reinstall the pivot bolts and washers removed in step 7 on page 15 and reinstall the control door and center pivot pin.
4. Unscrew the ignitor button and install the AA battery provided in the instruction envelope prior to closing the control door. **See Figure 22.**

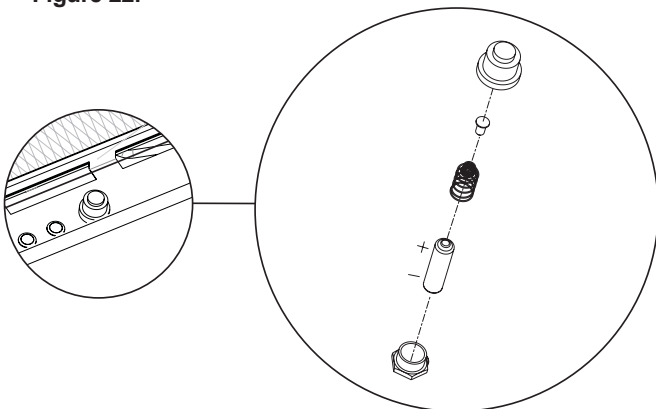


Figure 22

### Framing and Finishing

The fireplace is installed with panels around the opening as a clean face installation. **See Figure 23.** The top and sides must use non-combustible panels (provided) where shown going over the face of the fireplace. Outside of this area, any weatherproof wallboard may be used.

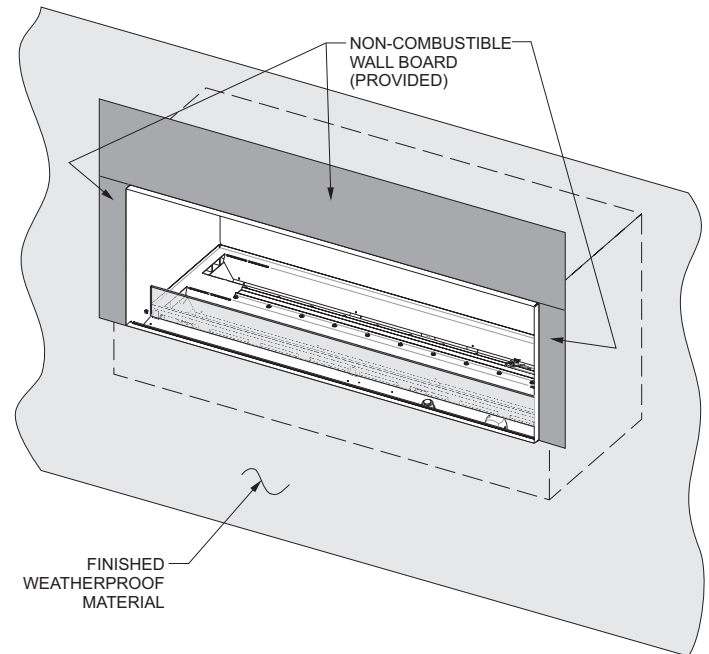


Figure 23

# FIREPLACE FRAMING AND INSTALLATION

## FINISHING

To complete installation place non-combustible panel above fireplace opening. Center panel on fireplace and secure with screws into frame. With the non-combustible panels in position, predrill and counter-sink 1/8-in. diameter holes through the non-combustible panels and top nailing header before running the screws into the top mounting nailing header.

### ⚠ CAUTION

To prevent damage to components, do not install screws within four inches below fireplace opening. See Figure 24.

### ⚠ CAUTION

To allow the fireplace nailing header to float independent of the fireplace cabinet, do not install screws within four inches above the fireplace opening. See Figure 24. If the nailing header is not allowed to float independent of the fireplace cabinet, the finished wall surface may crack.

### Notice for Finishing Materials

The wall above the fireplace will become hot. Install the non-combustible board supplied with the fireplace before adding paint, tile or stone. Attach tile or other non-combustible products to the fireplace face and to the non-combustible area (**Figures 23 and 24**) using adhesives designed for high-temperature applications (rated 300°F minimum). Follow the manufacturer's instructions for application and curing times. Heat from the fireplace may cause incorrectly installed materials to fail. If you are painting above the fireplace, use a coating designed for high temperature environments and follow the manufacturer's instructions for surface preparation, application and curing. Heat from the fireplace may cause incorrectly applied coatings to fail or discolor.

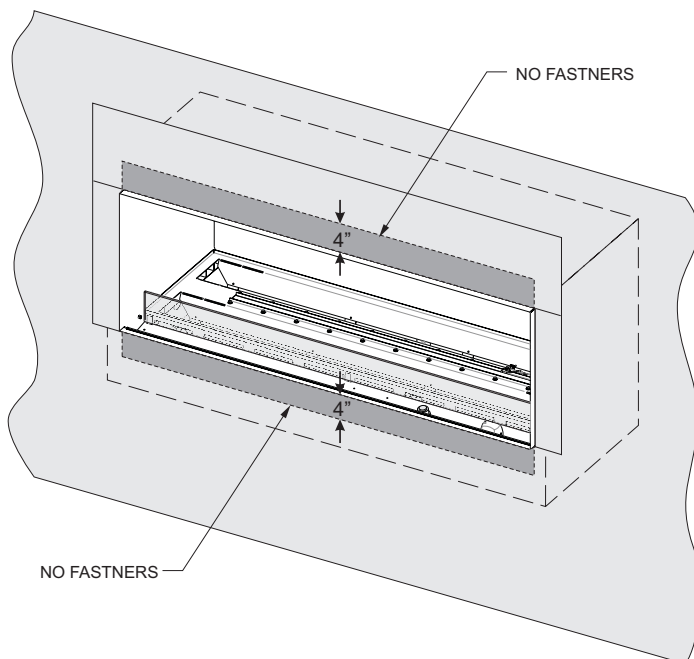


Figure 24

Place non-combustible panels on the sides of the fireplace opening. Secure with screws into the frame and pre-drill and counter-sink 1/8-in. diameter holes into the fireplace face. Finish remaining wall with weather-proof wallboard.

**NOTE:** Areas where the steel has been formed (corners, hems, etc.) may require extra cleaning due to the properties of the film. Ensure that all protective film has been removed from the fireplace prior to use.

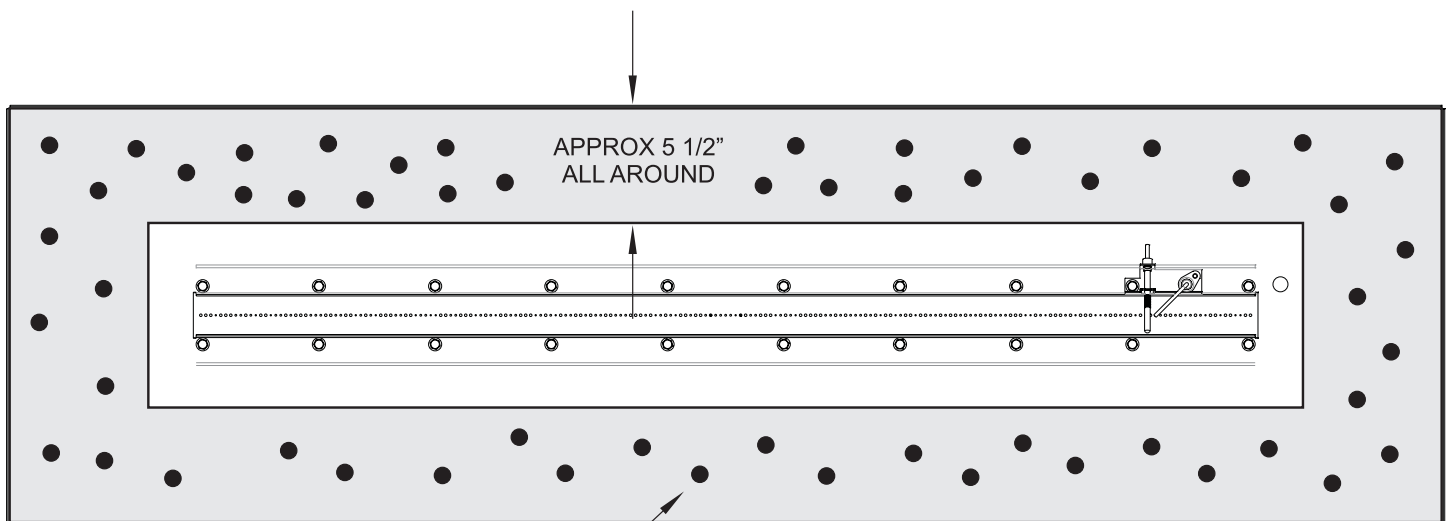
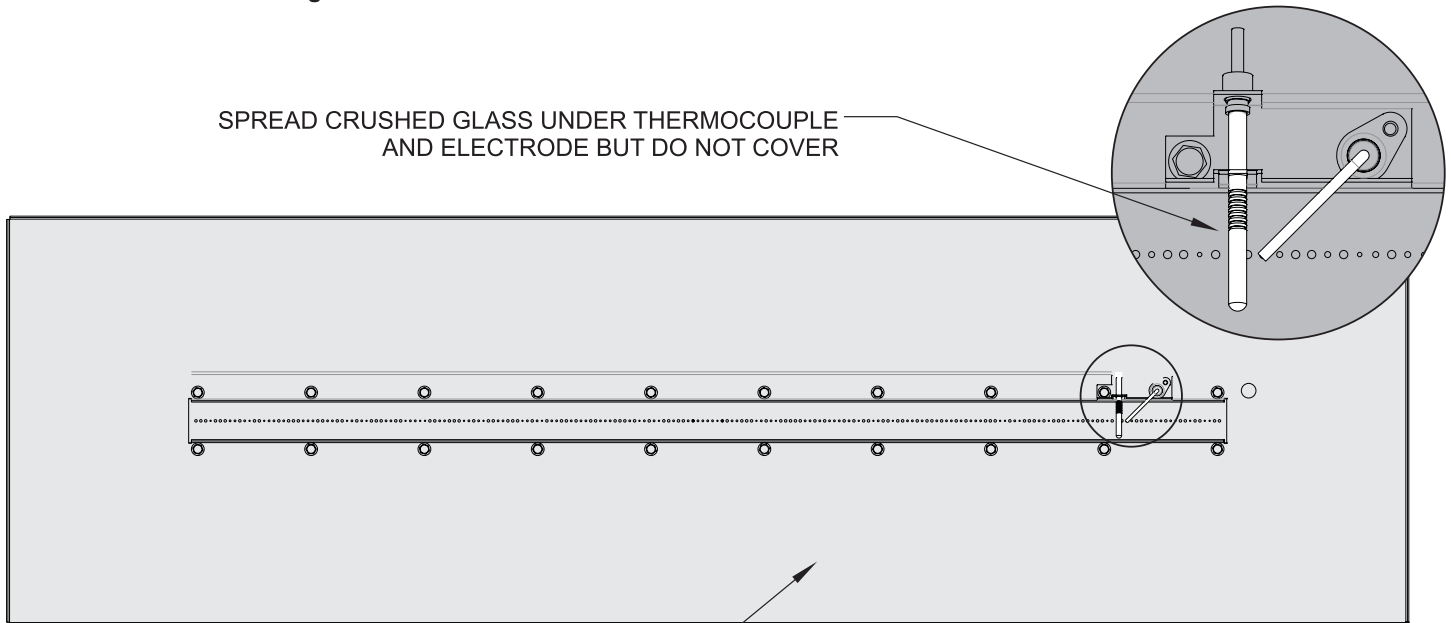
# FIREPLACE FRAMING AND INSTALLATION

## FINISHING

### Crushed Glass Installation

Ensure the burner cover screens are still properly installed, fully covering the LED openings. Place decorative crushed glass evenly over the burner cover, screen and burner (enough media to cover approximately 10 square feet). Ensure coverage is even and not thicker in places. Some pieces of broken glass may be larger than others. It is fine to use these pieces, but not over the burner or flame area. **See Figure 25.**

Decorative glass droplets may be added as an enhancement, but can not be used near or over the burner. **See Figure 26.** Neither glass nor droplets may be placed over the spark probe.



# LIGHTING INSTRUCTIONS

## FOR YOUR SAFETY READ BEFORE LIGHTING

### ⚠ WARNING

If you do not follow these instructions exactly, a fire or explosion may result causing property damage, personal injury, or loss of life.

- A. **BEFORE LIGHTING**, smell around the appliance area for gas. Be sure to smell next to the floor because some gas is heavier than air and will settle on the floor.
- WHAT TO DO IF YOU SMELL GAS**
- Do not try to light any appliance.
  - Do not touch any electrical switch.
  - Do not use any phone in your building.
  - Immediately call your gas supplier from a neighbor's phone. Follow the gas supplier's instructions. If you can not reach your gas supplier, call the fire department.
- B. Use only your hand to push in or turn the gas control knob. Never use tools. If the knob will not push in or turn by hand, don't try to repair it, call a qualified service technician. Force or attempted repair may result in a fire or explosion.
- C. Do not use this appliance if any part has been under water. Immediately call a qualified service technician to inspect the appliance and to replace any part of the control system and any gas control which has been under water.

## LIGHTING INSTRUCTIONS

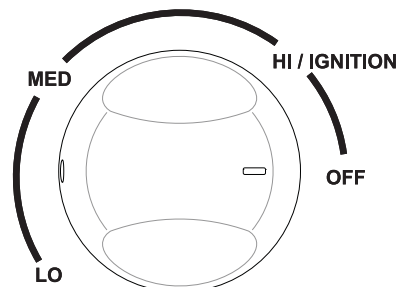
This fireplace is for outdoor use only.

Read all instructions before lighting.

Any accessory weather cover(s) must be removed before use.


Remove any debris – including leaves and insects – from the burner area and the bed of crushed glass.

1. Before turning on the main gas supply, press the ignitor button. Verify that the ignitor is sparking above the burner between the electrode and the thermocouple.
2. Turn on the main gas supply to fireplace.
3. With the gas control knob in the "OFF" position press and hold the ignitor button. Lightly press and rotate the gas control knob to the HI/IGNITION position. Press down and hold down the gas control knob.  
If the burner fails to light after 5 seconds, turn gas control knob to OFF. Wait 5 minutes to dissipate gas before attempting to relight.
4. Once the burner ignites, release the ignitor button but continue to press down on the gas control knob for 30 seconds. (This allows the thermocouple (flame sensor) to heat up, confirming that the fireplace is burning.)  
If flame goes out, turn knob to OFF, wait 5 minutes, repeat lighting sequence starting with step 3.



Gas Control Knob shown in "OFF" position

## TO TURN OFF GAS TO APPLIANCE

1. Open control door.
2. Push in gas control knob slightly and turn clockwise  to "OFF". Do not force.
3. Turn off all electric power to appliance if service is to be performed.
4. Close control door.



# MAIN BURNER FLAME CHARACTERISTICS

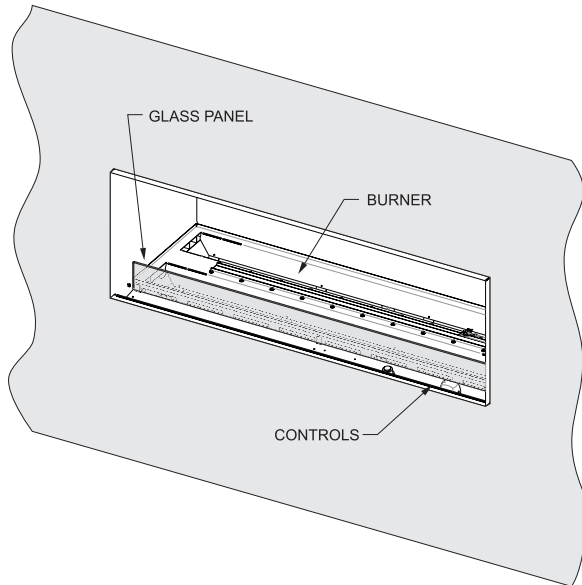


Figure 27

## WARNING

**NEVER operate fireplace with an optional weather door in place.**

In normal operation on high after 10 to 15 minutes, the flame appearance should be several tongues of yellow flames.

**NOTE:** All flames will be random by design, flame height will go up and down.

During manufacture, fabricating, and shipping, various components of this fireplace are treated with oils, films, or bonding agents. These are not harmful, but may produce smoke and smells as they are burned off during the initial operation of the fireplace. This is normal.

The initial break-in operation should last 2-3 hours with the burner at the highest setting. Any odors remaining after this initial break-in will disappear with continued use.

Flames from the main burner should be visually out before the weather door is installed.

If burner flame pattern is incorrect

- See Troubleshooting, page 28.

### Flame Pattern

The main burner flame will be mostly yellow.

### Flame Ignition and Extinction

When the main burner is ignited it may take up to a minute for the full flame pattern to develop.

When the main burner is extinguished it may take up to a minute for the flames to disappear. It is normal to have the flames burn down near the burner, as the remaining gas is burned.

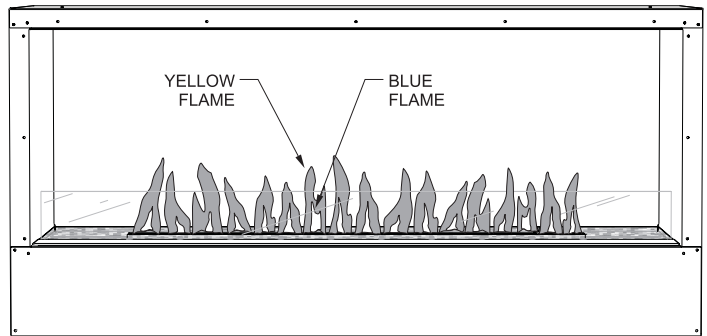


Figure 28 - Correct Flame Propane

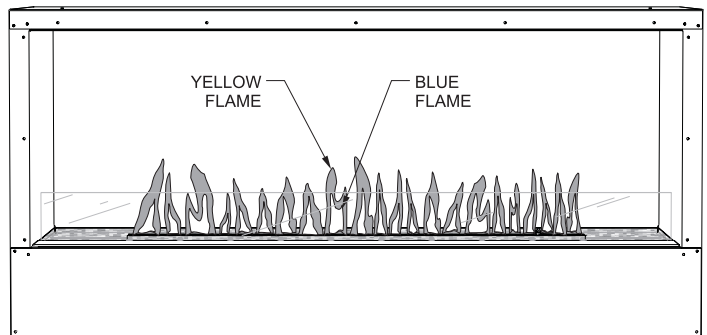


Figure 29 - Correct Flame Natural

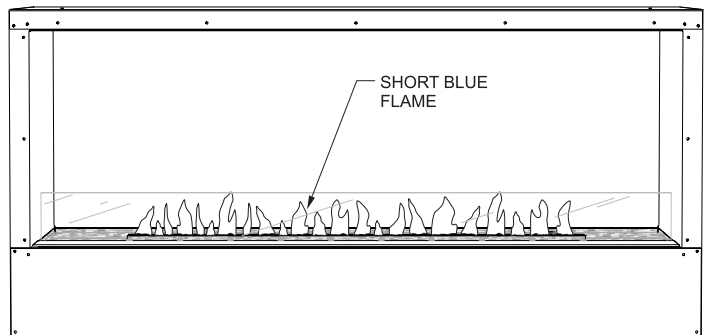


Figure 30 - Incorrect Short Blue Flame

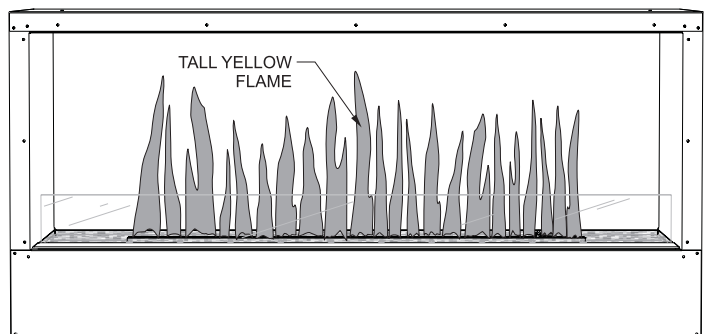


Figure 31 - Incorrect Tall Yellow Flame

# OPERATION INSTRUCTIONS/FLAME APPEARANCE

## LED Brightness Button

Press the Brightness Button to activate the LED lights and to cycle LED Intensity from High to Low to Off.

- 1 – On – High
- 2 – Medium
- 3 – Low
- 4 – Off

Use the Brightness Button in conjunction with the Mode Button to create unique looks.

Lights will remember the last mode when turned on again. (After a power failure, you must reset the lights to the desired mode.)

Turn off the LED Lights when not in use.

## LED Mode Button

Press the Mode Button to adjust LED light system from Automatic Color Changes to Individual Colors.

- 1 – Auto-cycle – Rapid
- 2 – Auto-cycle – Gradual
- 3 – Pause Auto-cycle
- 4 – Deep Blue
- 5 – Royal Violet
- 6 – Cardinal Red
- 7 – Sea Green
- 8 – Forest Green
- 9 – Tranquil Blue
- 10 – White

If the LEDs are turned off using the Left button, the chosen color or cycle will continue when the LEDs are turned back on.

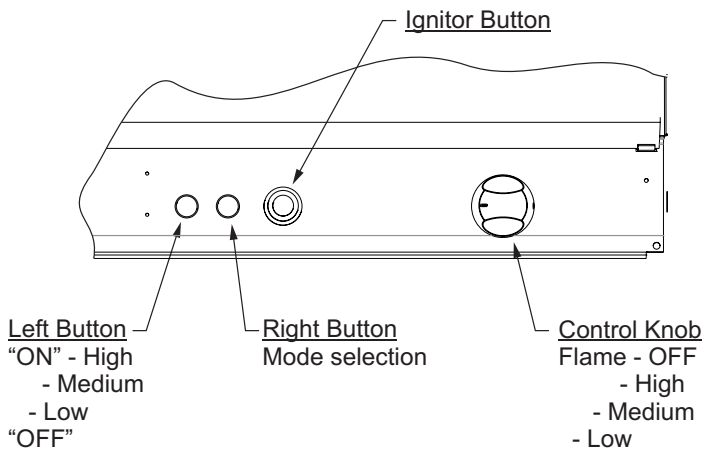


Figure 32 - Controls

# WIRING

Label all wires prior to disconnection when servicing controls. Wiring errors can cause improper and dangerous operation. Verify proper operation after servicing.

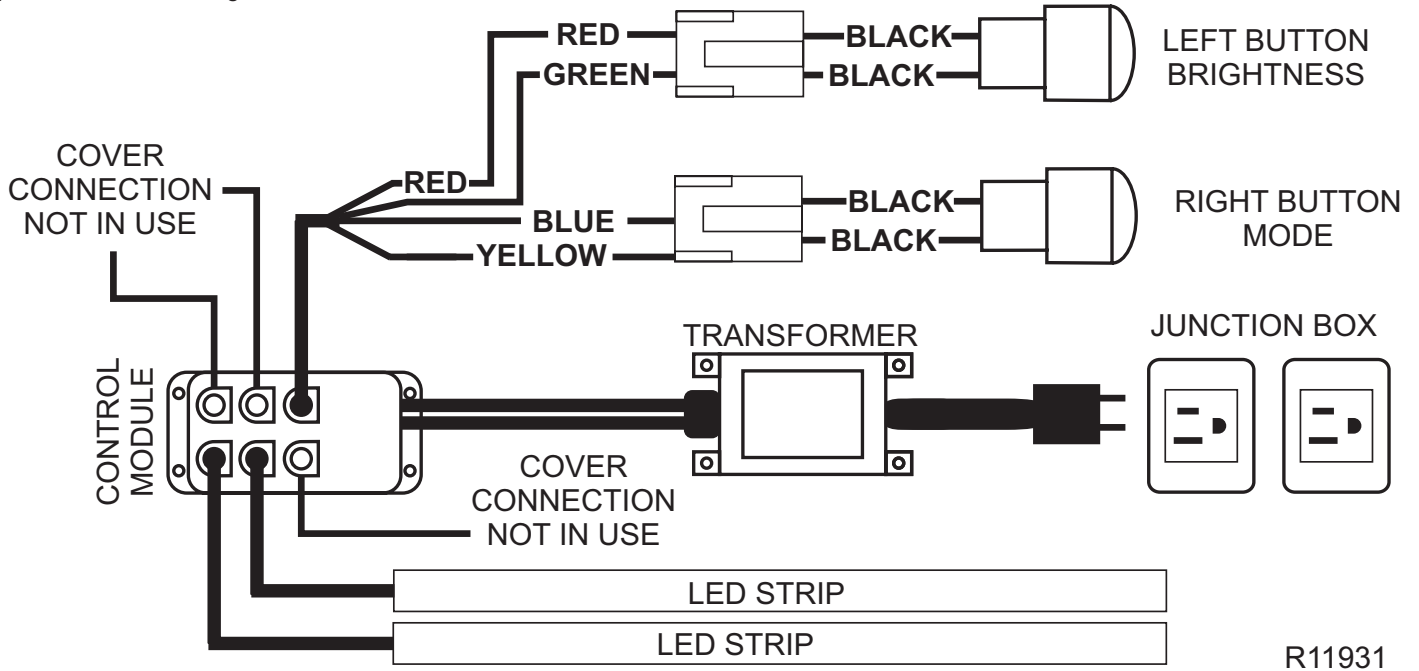


Figure 33 - LED System Wiring

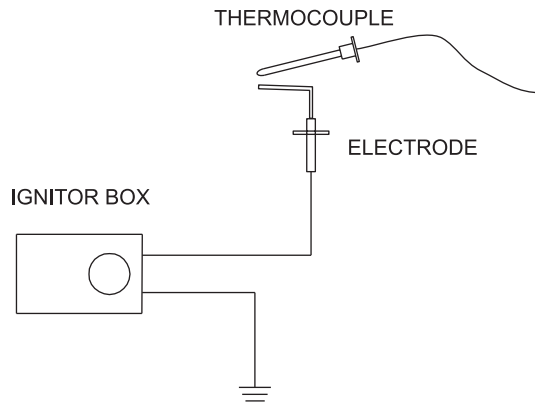


Figure 34 - Electronic Ignitor System Wiring

# MAINTENANCE

Keep the control compartment and burner area clean.

Always keep the fireplace area clear and free from combustible materials, gasoline, and other flammable vapors and liquids.

Never obstruct the flow of combustion and ventilation air. Keep the front of the fireplace clear of all obstacles and materials.

If the burner assembly needs to be serviced allow the fireplace to cool then remove the crushed glass and glass wind screen panels prior to servicing. It is recommended to use a clean vacuum for removal of the crushed glass. Retain glass for reuse.

## Cleaning Instructions

This fireplace is built using mostly high-grade stainless steel to resist rust-through. In outdoor applications, all stainless steel will develop a dull patina and, depending on the local environment and the materials used in the installation, may develop some surface oxidation (rust). This does not affect the performance of the fireplace, and does not require any action to correct. If you prefer keeping your fireplace interior looking factory-fresh, clean it as required with nonabrasive stainless steel cleaner.

When installation application includes highly acidic applications such as mortar or stone etching, we recommend that the fireplace be cleaned with a non-abrasive stainless steel cleaner immediately.

### WARNING

**Do not use Ammonia based or abrasive cleaners on glass.  
Do not attempt to clean glass when glass is hot.**

## PERIODIC CLEANING – Refer to parts diagram for location of items discussed below.

- Do not use cleaning fluid to clean any part of fireplace.
- Over time the crushed glass may break down into small pieces that could clog the main burner ports. Remove fine glass particles from burner ports. Replace with new crushed glass.

## ANNUAL CLEANING/INSPECTION – Refer to parts diagram for location of items discussed below.

- Inspect and clean burner air intake hole. Remove lint or particles with vacuum or brush. Failure to keep air intake hole clean will result in sooting and poor combustion.
- Inspect and clean all burner ports. Brush crushed glass away from burner and spray air from a can down the ports.
- Inspect ignitor and thermocouple and clean with damp paper towel.
- Verify flame pattern for proper operation.
- Verify smooth and responsive ignition of main burner.
- Spiders or other small insects may build webs or nests inside and on the burner, obstructing air flow. Fire, or flashback, can occur in and/or around the obstruction and cause an unsafe condition and damage to the fireplace. To reduce risk, inspect the burner at least twice monthly when spiders are active, and remove any nests or webs. If the fireplace has been unused for an extended period of time, inspect the burner and fireplace before use.

# TROUBLESHOOTING

## SYMPTOMS - POSSIBLE CAUSES AND CORRECTIONS

Turn fireplace OFF and allow to cool before servicing. Only a qualified service person should service and repair the fireplace.

- 1. Fireplace produces unwanted odors.**
  - a. Fireplace burning vapors from paint, scented candles and torches, glues, etc. - Ventilate area. Stop using odor causing products while fireplace is running.
  - b. Gas leak - Locate and correct all leaks.
- 2. Fireplace shuts off during use. (Burner is off.)**
  - a. Low line pressure - Contact local gas company.
  - b. Defective flame sensor - Replace thermocouple.
  - c. Strong wind blew flame off sensor for extended time. Relight burner. If this occurs frequently, optional taller deflector glass may help. See Accessories on page 5.
- 3. Spark probe does not click when ignitor is pushed**
  - a. Replace battery.
  - b. Clear area around spark probe of crushed glass, etc.
  - c. Wiring problem. Fix or replace spark wire.
  - d. Spark probe broken. Replace spark probe.
  - e. Faulty ignitor. Replace ignitor.
- 4. Gas odor even when control knob is in OFF position.**
  - a. Gas leak - Locate and correct all leaks.
  - b. Control valve defective - Replace control valve.
- 5. Burner does not light.**
  - a. Not holding down control knob long enough.
  - b. Clean and/or replace thermocouple.
- 6. Burner does not stay lit.**
  - a. Burner orifice clogged - Clean burner or replace main burner orifice.
  - b. Inlet gas pressure is too low - Contact qualified service person.
- 7. If burning at main burner orifice occurs (a loud, roaring blow torch noise).**
  - a. Turn off fireplace and contact a qualified service person.
  - b. Manifold pressure is too low - Contact local gas company.
  - c. Burner orifice clogged - Clean burner or replace burner orifice.
- 8. Fireplace produces a whistling noise when main burner is lit.**
  - a. Turning control knob to HIGH position when main burner is cold - Turn control knob to LOW position and let warm up for a minute.
  - b. Air in gas line - Operate burner until air is removed from line. Have gas line checked by local gas company.
  - c. Dirty or partially clogged burner orifice - Clean burner or replace burner orifice.
- 9. Fireplace produces soot or backfires.**
  - a. Gas quality is bad - Contact your local gas supplier immediately.
- 10. Fireplace gas pressure is low.**
  - a. Contact your local gas supplier immediately.

# MASTER PARTS DISTRIBUTOR LIST

To Order Parts Under Warranty, please contact your local Empire dealer. See the dealer locator at [www.empirecomfort.com](http://www.empirecomfort.com). To provide warranty service, your dealer will need your name and address, purchase date and serial number, and the nature of the problem with the unit.

To Order Parts After the Warranty Period, please contact your dealer or one of the Master Parts Distributors listed below. This list changes from time to time. For the current list, please click on the Master Parts button at [www.empirecomfort.com](http://www.empirecomfort.com). Please note: Master Parts Distributors are independent businesses that stock the most commonly ordered Original Equipment repair parts for Heaters, Grills, and Fireplaces manufactured by Empire Comfort Systems Inc.

## Dey Distributing

1401 Willow Lake Boulevard  
Vadnais Heights, MN 55101

**Phone:** 651-490-9191

**Toll Free:** 800-397-1339

**Website:** [www.deydistributing.com](http://www.deydistributing.com)

**Parts: Heater, Hearth and Grills**

## F. W. Webb Company

200 Locust Street  
Hartford, CT 06114

**Phone:** 860-722-2433

**Toll Free:** 800-243-9360

**Fax:** 860-293-0479

**Toll Free Fax:** 800-274-2004

**Websites:** [www.fwwebb.com](http://www.fwwebb.com) & [www.victormfg.com](http://www.victormfg.com)

**Parts: Heater, Hearth and Grills**

## East Coast Energy Products

10 East Route 36  
West Long Branch, NJ 07764

**Phone:** 732-870-8809

**Toll Free:** 800-755-8809

**Fax:** 732-870-8811

**Website:** [www.eastcoastenergy.com](http://www.eastcoastenergy.com)

**Parts: Heater, Hearth and Grills**

# HOW TO ORDER REPAIR PARTS

## Parts Not Under Warranty

Parts can be ordered through your Service Person, Dealer, or a Master Parts Distributor. See this page for the Master Parts Distributors list. For best results, the **service person or dealer** should order parts through the distributor. Parts can be shipped directly to the **service person/dealer**.

## Warranty Parts

Warranty parts will need a proof of purchase and can be ordered by your Service Person or Dealer. Proof of purchase is **required** for warranty parts.

All parts listed in the Parts List have a Part Number. When ordering parts, first obtain the Model Number and Serial Number from the name plate on your equipment. Then determine the Part Number (**not** the Index Number) and the Description of each part from the following illustration and part list. Be sure to give all this information . . .

Fireplace Model Number \_\_\_\_\_ Part Description \_\_\_\_\_

Fireplace Serial Number \_\_\_\_\_ Part Number \_\_\_\_\_

Type of Gas (Propane or Natural) \_\_\_\_\_

Do not order bolts, screws, washers or nuts. They are standard hardware items and can be purchased at any local hardware store.

Shipments contingent upon strikes, fires and all causes beyond our control.

# OLL60FP PARTS LIST

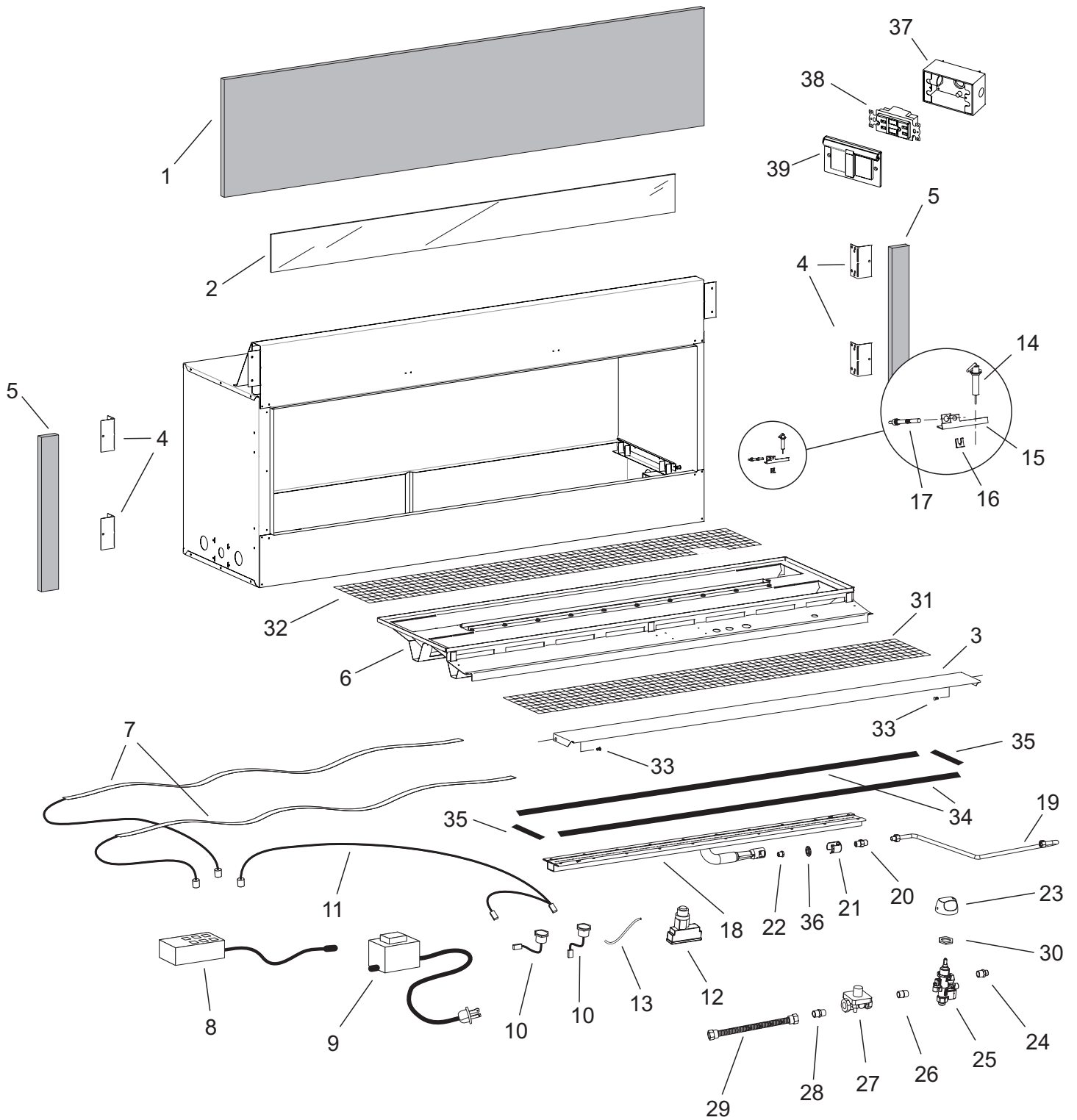
USE ONLY MANUFACTURER'S REPLACEMENT PARTS. USE OF ANY OTHER PARTS COULD CAUSE INJURY OR DEATH.

NDEX NO.	PART NO.	DESCRIPTION	QTY REQ	
			Natural	Propane
1	35831	NON-COMBUSTIBLE BOARD, TOP	1	1
2	R12897	GLASS	1	1
3	35007	CONTROL DOOR	1	1
4	34182	NAILING FLANGE	4	4
5	33641	NON-COMBUSTIBLE BOARD, SIDE	2	2
6	35595	BURNER PLATE ASSEMBLY	1	1
7	R11986	LIGHT STRIP LED	2	2
8	R12693	CONTROL MODULE LED	1	1
9	R11920	TRANSFORMER LED	1	1
10	R11921	SWITCH BUTTON	2	2
11	R11924	WIRE HARNESS SWITCHES	1	1
12	B072218	IGNITOR ELECTRONIC	1	1
13	R11932	GROUNDWIRE	1	1
14	R11923	IGNITOR ASSEMBLY	1	1
15	33256	THERMOCOUPLE BRACKET	1	1
16	B101961	CLIP - ELECTRODE	1	1
17	R685	THERMOCOUPLE 22 IN	1	1
18	35600	BURNER WELDED ASSEMBLY	1	1
19	33258	TUBING ASSEMBLY SUPPLY	1	1
20	P271	FITTING ORIFICE	1	1
21	R10808	AIR SHUTTER STAINLESS	1	1
22	P279	ORIFICE #14	1	0
22	P256	ORIFICE #41	0	1

NDEX NO.	PART NO.	DESCRIPTION	QTY RE	
			Natural	Propane
23	B101848	GAS CONTROL KNOB	1	1
24	R7195	CONNECTOR BRASS MALE	1	1
25	R11916	VALVE PROPANE MANUAL	0	1
25	R11829	VALVE NATURAL MANUAL	1	0
26	R8898	NIPPLE 3/8 X 3/8 X 1 BLACK IRON	1	0
27	R7160	REGULATOR 4.5 W.C. NATURAL	1	0
28	R12078	FITTING BRASS 1/2 FLARE X 3/8 MIP	1	1
29	R12077	FLEX LINE	1	1
30	R1652	NUT LOCK (VALVE)	1	1
31	R11982	COVER SCREEN LIGHTS	1	1
32	35604	COVER SCREEN LIGHTS WITH CUT-OUT	1	1
33	R11843	CONTROL DOOR SCREW	3	3
34	35832	GASKET	2	2
35	33957	GASKET	2	2
36	R11891	VENTURI BUG SCREEN	1	1
37	R11942	JUNCTION BOX	1	1
38	R3492	RECEPTACLE	1	1
39	R11943	JUNCTION BOX COVER	1	1
N/S	34330	BURNER SERVICE SUPPORT	2	2
N/S	R11944	CONDUIT CONNECTOR	1	1
N/S	R11387	CONTROL PANEL SCREWS	2	2
N/S	34179	HARDWARE PACK	1	1
N/S	R11955	LED MODULE WEATHER PLUG (INCLUDED WITH #8)	3	3

N/S - NOT SHOWN

# OLL60FP PARTS VIEW





# OLL60SP PARTS LIST

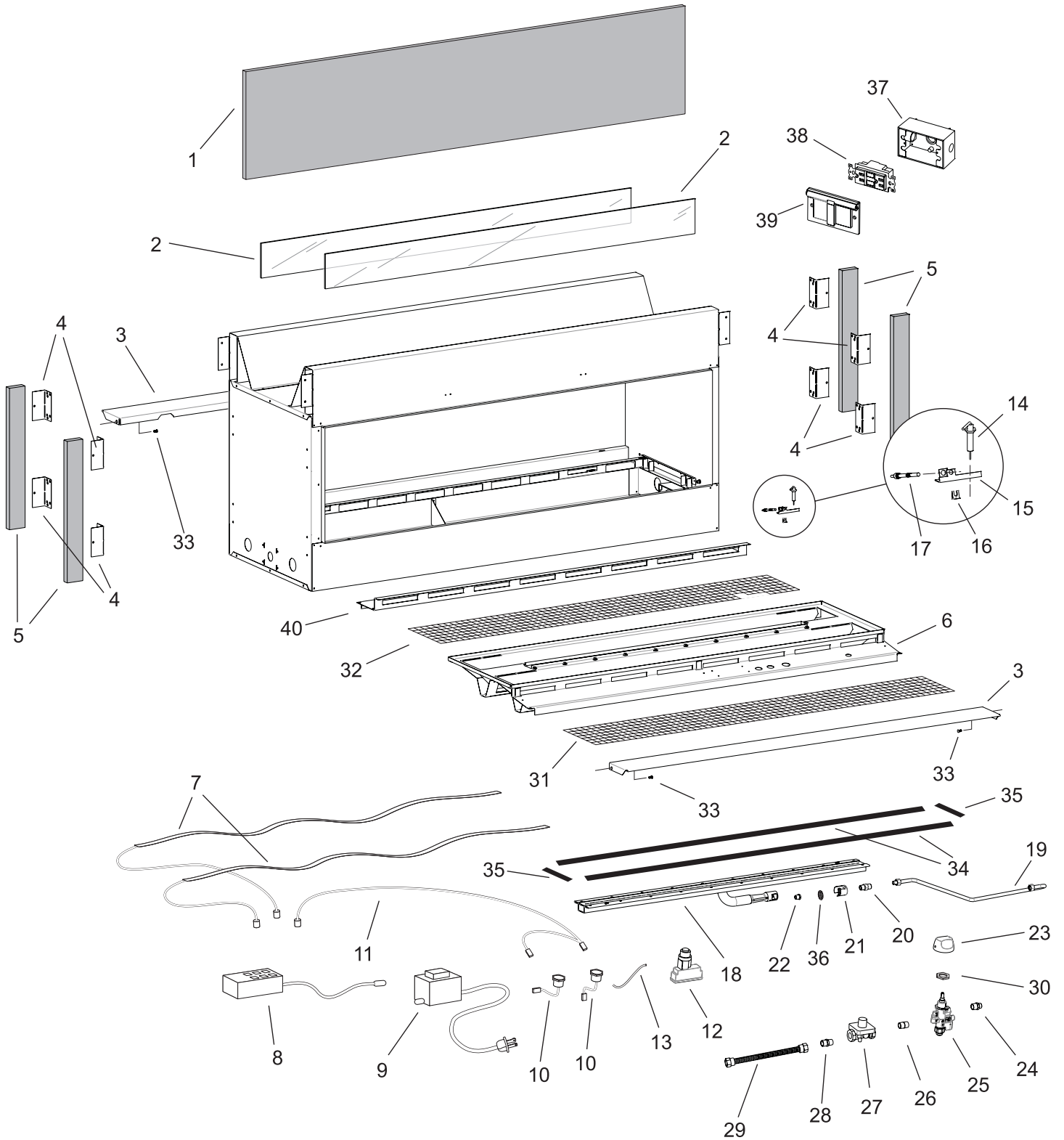
USE ONLY MANUFACTURER'S REPLACEMENT PARTS. USE OF ANY OTHER PARTS COULD CAUSE INJURY OR DEATH.

NDEX NO.	PART NO.	DESCRIPTION	QTY REQ	
			Natural	Propane
1	35831	NONCOMBUSTIBLE BOARD, TOP	2	2
2	R12897	GLASS	2	2
3	35007	DOOR CONTROL	2	2
4	34182	NAILING FLANGE	8	8
5	33641	NONCOMBUSTIBLE BOARD, SIDE	4	4
6	35610	BURNER PLATE ASSEMBLY	1	1
7	R11986	LIGHT STRIP LED	2	2
8	R12693	CONTROL MODULE LED	1	1
9	R11920	TRANSFORMER LED	1	1
10	R11921	SWITCH BUTTON	2	2
11	R11924	WIRE HARNESS SWITCHES	1	1
12	B072218	IGNITOR ELECTRONIC	1	1
13	R11932	GROUNDWIRE	1	1
14	R11923	IGNITOR ASSEMBLY	1	1
15	33256	THERMOCOUPLE BRACKET	1	1
16	B101961	CLIP - ELECTRODE	1	1
17	R685	THERMOCOUPLE 22 IN	1	1
18	35600	BURNER WELDED ASSEMBLY	1	1
19	33258	TUBING ASSEMBLY SUPPLY	1	1
20	P271	FITTING ORIFICE	1	1
21	R10808	AIR SHUTTER STAINLESS	1	1
22	P279	ORIFICE #14	1	0
22	P256	ORIFICE #41	0	1
23	B101848	GAS CONTROL KNOB	1	1

NDEX NO.	PART NO.	DESCRIPTION	QTY REQ	
			Natural	Propane
24	R7195	BRASS CONNECTOR MALE	1	1
25	R11916	VALVE PROPANE MANUAL	0	1
25	R11829	VALVE NATURAL MANUAL	1	0
26	R8898	NIPPLE 3/8 X 3/8 X 1 BLACK IRON	1	0
27	R7160	REGULATOR 4.5 W.C. NATURAL	1	0
28	R12078	FITTING BRASS 1/2 FLARE X 3/8 MIP	1	1
29	R12077	FLEX LINE	1	1
30	R1652	NUT LOCK (VALVE)	1	1
31	R11802	COVER SCREEN LIGHTS	1	1
32	34225	COVER SCREEN LIGHT WITH CUTOUT	1	1
33	R11843	CONTROL DOOR SCREW	6	6
34	33956	GASKET	2	2
35	33957	GASKET	2	2
36	R11891	VENTURI BUG SCREEN	1	1
37	R11942	JUNCTION BOX COVER	1	1
38	R3492	RECEPTICLE	1	1
39	R11943	JUNCTION BOX COVER	1	1
40	35611	PANEL, SEE-THRU	1	1
N/S	34330	BURNER SERVICE SUPPORT	2	2
N/S	R11944	CONDUIT CONNECTOR	1	1
N/S	R11387	CONTROL PANEL SCREWS	2	2
N/S	34179	HARDWARE PACK	1	1
N/S	R11955	LED MODULE WEATHER PLUG (INCLUDED WITH #8)	3	3

N/S - NOT SHOWN

# OLL60SP PARTS VIEW



# WARRANTY TERMS

Empire Comfort Systems Inc. warrants this hearth product to be free from defects at the time of purchase and for the periods specified below. Hearth products must be installed by a qualified technician and must be maintained and operated safely, in accordance with the instructions in the owner's manual. This warranty applies to the original purchaser only and is not transferable. All warranty repairs must be accomplished by a qualified gas appliance technician.

***Limited Five-Year Parts Warranty – All Components  
(Except Remote Controls, Thermostats, Accessories and Replacement Parts)***

Should any part fail because of defective workmanship or material within five years from the date of purchase, Empire will repair or replace at Empire's option.

***Limited One-Year Parts Warranty – Remote Controls, Thermostats, Accessories, and Parts***

Should any remote control, thermostat, accessory, or other part fail because of defective workmanship within one year from the date of purchase, Empire will repair or replace at Empire's option.

***Duties of the Owner***

The appliance must be installed by a qualified installer and operated in accordance with the instructions furnished with the appliance. A bill of sale, cancelled check, or payment record should be kept to verify purchase date and establish warranty period. Ready access to the appliance for service.

***What Is Not Covered***

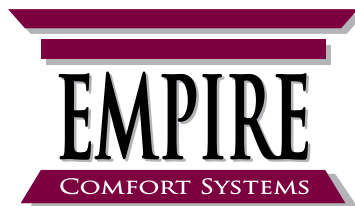
Damages that might result from the use, misuse, or improper installation of this appliance.  
Travel, diagnostic costs and freight charges on warranted parts to and from the factory.  
Claims that do not involve defective workmanship or materials.  
Unauthorized service or parts replacements.  
Removal and reinstallation cost.  
Inoperable due to improper or lack of maintenance.

***How To Get Service***

To make a claim under this warranty, please have your receipt available and contact your installing dealer. Provide the dealer with the model number, serial number, type of gas, and purchase verification. The installing dealer is responsible for providing service and will contact the factory to initiate any warranted parts replacements. Empire will make replacement parts available at the factory. Shipping expenses are not covered. If, after contacting your Empire dealer, service received has not been satisfactory, contact: Consumer Relations Department, Empire Comfort Systems Inc., PO Box 529, Belleville, Illinois 62222, or send an e-mail to [info@empirecomfort.com](mailto:info@empirecomfort.com) with "Consumer Relations" in the subject line.

***Your Rights Under State Law***

This warranty gives you specific legal rights, and you may also have other rights, which vary from state to state.



SINCE 1932

[www.empirecomfort.com](http://www.empirecomfort.com)

**Empire Comfort Systems Inc.**  
**Belleville, IL**

If you have a general question  
about our products, please e-mail  
us at [info@empirecomfort.com](mailto:info@empirecomfort.com).

If you have a service or repair  
question, please contact your dealer.

# INSTRUCTIONS D'INSTALLATION ET MODE D'EMPLOI

## INSTALLATEUR :

Laisser ce manuel avec l'appareil.

## CONSOMMATEUR :

Garder ce manuel pour référence ultérieure.

### ⚠ DANGER

#### RISQUE D'INCENDIE OU D'EXPLOSION

Si vous sentez du gaz :

1. Coupez le gaz à l'appareil.
2. Éteignez toute flamme vive.
3. Si l'odeur persiste, quittez immédiatement la zone.
4. Après avoir quitté la zone, appelez votre fournisseur de gaz ou le service d'incendie.

Le non-respect de ces instructions peut entraîner un incendie ou une explosion, pouvant entraîner des dommages matériels, des blessures corporelles ou la mort..

### ⚠ AVERTISSEMENT

Une mauvaise installation ou altération, un mauvais ajustement, service ou entretien pourrait causer des blessures ou des dommages matériels. Lisez les instructions d'installation, d'utilisation et d'entretien soigneusement avant d'installer ou d'entretenir cet équipement.

### ⚠ AVERTISSEMENT

Ne pas entreposer et ne pas utiliser d'essence ni tout autre liquide aux vapeurs inflammables à proximité du présent appareil ou de tout autre appareil.

Un cylindre Gaz Propane qui n'est pas connecté pour être utilisé ne devrait pas être rangé à proximité de cet appareil ou tout autre appareil.

## ⚠ DANGER



## FOYER À GAZ LINÉAIRE

### EXTÉRIEUR

### MODÈLE :

OLL60FP12S(N,P)-1

OLL60SP12S(N,P)-1

GAS-FIRED



### ⚠ AVERTISSEMENT

Pour usage extérieur seulement.

### ⚠ AVERTISSEMENT

Si ces instructions ne sont pas respectées à la lettre, il peut se produire un incendie ou une explosion causant des dégâts matériels, des lésions corporelles ou pertes de vie humaine.

### ⚠ AVERTISSEMENT

S'il n'est pas installé, utilisé et entretenu selon les instructions du fabricant, ce produit pourrait vous exposer à des substances provenant de carburant ou de sa combustion qui pourrait entraîner la mort ou des maladies graves.

L'installation et l'entretien doivent être exécutés par un installateur qualifié, une agence de service ou par le fournisseur de gaz.

NATIONAL  
FIREPLACE  
INSTITUTE



CERTIFIED  
[www.nficertified.org](http://www.nficertified.org)

Aux États-Unis, nous recommandons que nos appareils à gaz soient installés et entretenus par des professionnels certifiés de la NFI (National Fireplace Institute®).

### RISQUE DE MONOXIDE DE CARBONE

Cet appareil peut produire du monoxyde de carbone qui n'a pas d'odeur.

L'utiliser dans un endroit clos peut vous tuer.

Ne jamais utiliser cet appareil dans un endroit clos comme une roulette, tente, voiture ou maison.

# INFORMATIONS SUR LES BOUTEILLES DE PROPANE GAZ

**⚠ DANGER - GAZ INFLAMMABLE SOUS PRESSION. UNE FUITE DE GPL PEUT CAUSER UN INCENDIE OU UNE EXPLOSION SI ENFLAMMÉE ENTRAÎNANT DES BLESSURES CORPORELLES GRAVES OU LA MORT. COMMUNIQUER AVEC LE FOURNISSEUR DE GPL POUR LES RÉPARATIONS OU POUR DISPOSER DE CETTE BOUTEILLE OU DU GPL NON UTILISÉ.**

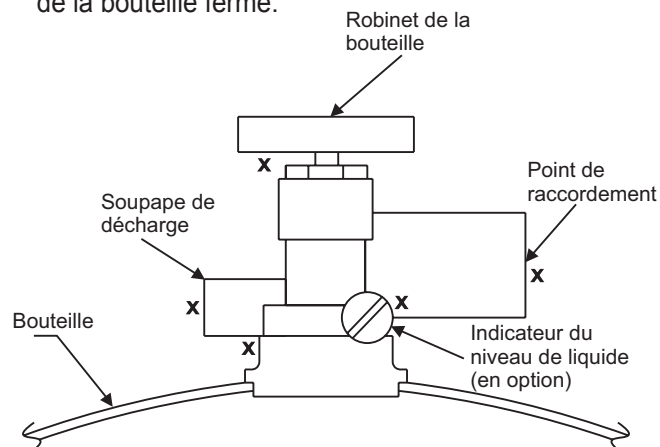
**⚠ AVERTISSEMENT - POUR USAGE À L'EXTÉRIEUR SEULEMENT. \*NE PAS UTILISER NI ENTREPOSER LA BOUTEILLE DANS UN BÂTIMENT, UN GARAGE OU UN ENDROIT FERMÉ.**

## ⚠ AVERTISSEMENT:

- Apprenez à reconnaître l'odeur du propane gaz. Si vous entendez, voyez ou sentez une fuite de propane gaz, éloignez immédiatement toutes les personnes de la bouteille et appelez le service d'incendie. Ne tentez aucune réparation.
- Avertissement pour le fournisseur de propane gaz :
  - Assurez-vous que la bouteille a été purgée de tout l'air avant de procéder au remplissage initial.
  - Assurez-vous de ne pas trop remplir la bouteille.
  - Assurez-vous que la date de requalification de la bouteille a été vérifiée.
- Le propane gaz est plus lourd que l'air et peut se déposer près du sol avant de se dissiper.
- Le contact avec le contenu liquide de la bouteille peut causer des brûlures à la peau par le froid.
- Ne pas permettre aux enfants de jouer avec la bouteille.
- Si la bouteille n'est pas raccordée pour utilisation, s'assurer que le robinet est fermé. Les bouteilles des appareils autonomes de cuisson en plein air doivent être limitées à une capacité d'au plus 30 lb.
- Ne pas utiliser, entreposer ni transporter une bouteille si elle risque d'être exposée à des températures élevées. La soupape de décharge pourrait s'ouvrir et libérer une grande quantité de gaz inflammable.
- Lors du transport, sécuriser la bouteille en position debout et s'assurer que le robinet est fermé.

## LORS DU RACCORDEMENT POUR UTILISATION:

- Utilisez uniquement conformément aux codes en vigueur.
- Lisez et suivez les instructions du fabricant.
- Consultez les instructions du fabricant visant le raccordement de la bouteille fournie avec l'appareil.
- Assurez-vous que l'évent du régulateur n'est pas dirigé vers le haut.
- Fermez tous les robinets sur l'appareil.
- Ne pas utiliser d'allumette ou de flamme nue pour vérifier la présence d'une fuite de gaz. Appliquez une solution d'eau savonneuse sur les zones marquées d'un « X ». Ouvrir le robinet de la bouteille. Si des bulles se forment, fermez le robinet et demandez à une personne qualifiée pour l'entretien d'appareils au propane gaz de faire les réparations requises. Avant d'allumer l'appareil, vérifiez aussi les robinets et les raccordements de l'appareil afin de vous assurer qu'il n'y a pas de fuite.
- Allumez l'appareil selon les instructions du fabricant.
- Lorsque vous n'utilisez pas l'appareil, gardez le robinet de la bouteille fermé.



**NE PAS RETIRER, BARBOUILLER OU EFFACER CETTE ÉTIQUETTE \*SAUF DANS LES CAS PERMIS SELON LES NORMES L'ANSI/NFPA 58 ou la CSA B149.2**

**⚠ DANGER.** Ne pas entreposer une bouteille de propane gaz sous l'appareil ou à proximité de celui-ci de toute source de chaleur. Ne jamais remplir une bouteille de propane gaz à plus de 80 % de sa capacité : un incendie causant la mort ou des blessures graves peut se produire.

# AVANT DE COMMENCER

1. Lire les informations relatives à la sécurité figurant aux pages 5 à 6.
2. Que faut-il prendre en compte avant l'installation. Voir Page 12.
3. Il faut prévoir un écoulement d'eau. Voir page 13. Plateau d'écoulement en option.
4. Où prévoyez-vous d'installer l'appareil? Voir pages 12 à 14.
5. Encadrer l'ouverture. Voir les pages 9 à 11 et 15 à 16.
6. Installer le foyer. Voir pages 15 à 17.
7. Connecter l'électricité. Voir les pages 17 et 27.
8. Raccorder le gaz. Voir les pages 18 à 20.
9. Installer le verre pilé. Voir page 23.
10. Allumer le foyer et dépannage. Voir les pages 24 et 29.
11. Montrer au propriétaire comment faire fonctionner le foyer. Voir page 26.
12. Montrer au propriétaire comment effectuer l'entretien de base. Voir page 28.

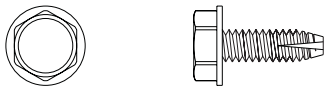
## Outils requis :

- (1) - Clé Allen 1/8 po
- (2) - Clés ajustables avec jeu de 1 po pour connexion du gaz
- (2) - Clés de tuyau ajustables
- (1) - Tournevis Phillips

CONTENU DE L'EMBALLAGE			
REPÈRE	DESCRIPTION	QUANTITÉ FOURNIE	
		OLL60FP	OLL60SP
1	Panneau vitré	1	2
2	Panneau non combustible - dessus	1	2
3	Panneau non combustible - côté	2	4
4	Enveloppe	1	1
5	Brides de clouage	4	8
6	Prise	1	1
7	Couvercle	1	1
8	Raccord de conduit 1/2 po	1	1
9	Pile AA	1	1
10	Support de brûleur	2	2

Pour commander des pièces de rechange, voir la liste des pièces aux pages 31 à 34. Ne pas commander de piles, boulons, vis, rondelles ou écrous. Ce sont des articles de visserie standard pouvant être achetés dans toute quincaillerie ou tout magasin de bricolage.

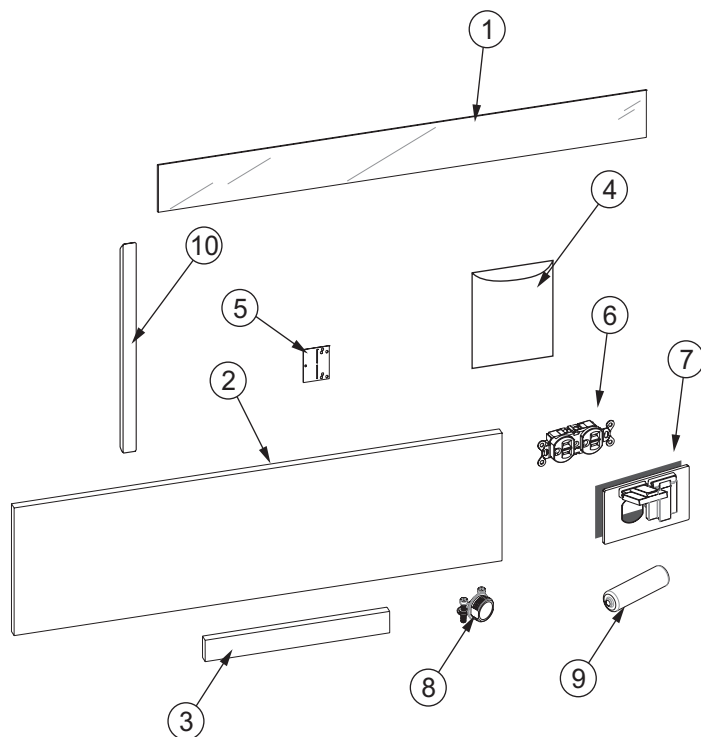
## CONTENU DU JEU DE QUINCAILLERIE



N° 10-32 X 1/2 PO VIS À TÊTE HEXAGONALE  
(8 - OLL60FP12S(N,P))  
(16 - OLL60SP12S(N,P))



VIS PHILLIPS AUTO-FOREUSE 1-1/4 PO  
(6 - OLL60FP12S(N,P))  
(12- OLL60SP12S(N,P))



# TABLE DES MATIÈRES

SECTION	PAGE
INFORMATIONS SUR LES BOUTEILLES DE PROPANE GAZ.....	2
AVANT DE COMMENCER.....	3
TABLE DES MATIÈRES.....	4
INFORMATIONS DE SÉCURITÉ IMPORTANTES .....	5
INFORMATIONS DE SÉCURITÉ CONCERNANT LE GAZ PROPANE .....	6
INTRODUCTION.....	6
SPÉCIFICATIONS DU PRODUIT .....	7
ACCESSOIRES .....	7
INTRODUCTION.....	8
MATÉRIAUX COMBUSTIBLES .....	9
DÉGAGEMENTS .....	9 - 10
DIMENSIONS DU FOYER.....	11
PLANIFIER L'INSTALLATION .....	12 - 14
INSTALLATION DU FOYER.....	15 - 23
INSTRUCTIONS D'ALLUMAGE .....	24
CARACTÉRISTIQUES DE LA FLAMME DU BRÛLEUR PRINCIPAL.....	25
INSTRUCTIONS D'OPÉRATION / APPARENCE DE LA FLAMME .....	26
CÂBLAGE .....	27
ENTRETIEN .....	28
DÉPANNAGE .....	29
LISTE DES DISTRIBUTEURS DE PIÈCES PRINCIPAUX .....	30
COMMENT COMMANDER DES PIÈCES DE RECHANGE.....	30
OLL60FP LISTE DES PIÈCES .....	31
OLL60FP VUE DES PIÈCES .....	32
OLL60SP LISTE DES PIÈCES .....	33
OLL60SP VUE DES PIÈCES.....	34
CONDITIONS DE LA GARANTIE .....	35



# INFORMATIONS DE SÉCURITÉ IMPORTANTES

**⚠ DANGER** : Indique une situation dangereuse qui, si elle n'est pas évitée, causera la mort ou des blessures graves.

**⚠ AVERTISSEMENT**: Indique une situation potentiellement dangereuse qui, si elle n'est pas évitée, peut entraîner des blessures corporelles ou la mort.

**⚠ ATTENTION** : Indique une situation potentiellement dangereuse qui, si elle n'est pas évitée, peut entraîner des blessures corporelles mineures ou modérées.

**AVIS** : S'adresse à des pratiques qui ne sont pas reliées aux blessures corporelles.

## ⚠ AVERTISSEMENT

Ne pas placer des débris, bûches ou autres articles dans le foyer lors de l'opération.

## ⚠ AVERTISSEMENT

Toute modification aux contrôles peut être dangereuse. Une installation ou une utilisation incorrecte du foyer peut provoquer des blessures graves ou la mort par incendie, brûlure, explosion ou intoxication au monoxyde de carbone.

## ⚠ AVERTISSEMENT

Effectuer régulièrement un contrôle visuel du brûleur. Nettoyer et remplacer les pièces endommagées.

## ⚠ DANGER

Les enfants et les adultes doivent être avertis du danger des hautes températures de surface et être tenus à l'écart pour éviter de se brûler ou d'enflammer des vêtements.

## ⚠ DANGER

Les jeunes enfants doivent être surveillés avec attention lorsqu'ils sont dans la même pièce que le foyer.

## ⚠ DANGER

Ne pas placer de vêtements ou autres matières inflammables sur ou à proximité du foyer.

## ⚠ DANGER

Maintenir le voisinage du foyer dégagé et exempt de matières combustibles, essence et autres vapeurs et liquides inflammables.

- **Installateur** : Veuillez laisser ces instructions avec le propriétaire pour référence ultérieure
- Cette unité est conforme à ANSI Z21.97/CSA 2.41 pour les foyers à gaz extérieurs.
- L'installation et les réparations doivent être effectuées par un **TECHNICIEN QUALIFIÉ**. Le foyer doit être inspecté avant utilisation et au moins une fois par an par un technicien d'entretien qualifié. Un nettoyage plus fréquent peut être nécessaire en raison des insectes, accumulation de pollen, etc. Il est impératif que les compartiments de commande, les brûleurs et les passages de circulation d'air du foyer restent propres.
- Lors de la fabrication, usinage et expédition, certaines pièces du foyer sont traitées avec certaines huiles, certains films ou produits adhésifs. Ces produits ne sont pas nocifs, mais peuvent causer une fumée et des odeurs déplaisantes lorsqu'ils sont brûlés lors de l'opération initiale du foyer. C'est une situation normale et temporaire.
- Suivez tous les codes locaux au sujet de l'installation, la combustion et la ventilation d'air ou en l'absence de codes locaux, suivez le Code de gaz combustible national ANSI Z223.1 (Installation aux États-Unis), ou le code d'installation CAN/CGA-B149 (Installation canadienne).
- Inspectez le brûleur au moins une fois par année.
- Maintenir la propreté du brûleur et du compartiment de commande.
- **NE PAS** utiliser le foyer si une quelconque partie a été immergée dans l'eau. Appeler immédiatement un technicien d'entretien qualifié pour contrôler le foyer et remplacer toute pièce du système de commande et toute commande de gaz ayant été immergées.
- Toute protection ou tout dispositif de protection enlevé lors de l'entretien de l'appareil doit être remis en place avant d'utiliser l'appareil.

# INFORMATIONS DE SÉCURITÉ CONCERNANT LE GAZ PROPANE

Le propane est un gaz inflammable pouvant provoquer des incendies et des explosions. Dans son état naturel, le gaz propane est sans odeur et sans couleur. Vous pourriez ne pas connaître toutes les consignes de sécurité qui pourraient vous protéger vous et votre famille d'un accident. Veuillez les lire soigneusement maintenant, puis réviser-les point par point avec les membres de votre famille. Un jour lorsqu'il n'y aura pas une minute à perdre, la sécurité de tout le monde dépendra du savoir-faire exact. Si après avoir lu les informations ci-dessous, vous croyez avoir besoin de plus d'information, veuillez contacter votre fournisseur de gaz.

## DÉTECTION D'UNE ODEUR DE GAZ PROPANE

**En cas de fuite de gaz, une odeur de gaz doit être perceptible parce que le gaz propane contient un odorisant. C'est votre signal d'agir immédiatement!**

- Ne pas actionner de commutateur électrique, allumer d'allumette, ni utiliser le téléphone. Ne faites rien qui pourrait allumer le gaz.
- Faire sortir tout le monde du bâtiment, du véhicule, de la caravane ou de la zone. Faites ceci IMMÉDIATEMENT.
- Fermer tous les robinets de réservoir ou de bouteille de gaz.
- Le Gaz Propane est plus lourd que l'air et peut s'accumuler dans les zones basses telles que les sous-sols. Lorsque vous avez raison de douter d'une fuite de gaz, restez à l'écart des sous-sols et toute autre zone basse. Restez à l'écart jusqu'à ce que les pompiers les déclarent sécuritaires.
- Depuis une maison voisine, téléphonez à un réparateur spécialisé en Gaz Propane et aux pompiers. Même si vous ne sentez plus l'odeur de gaz, ne rallumez pas le gaz. Ne rentrez pas dans le bâtiment, le véhicule, la caravane ou la zone.
- **Enfin**, laissez le réparateur et les pompiers vérifier l'absence de gaz. Faites-les aérer la zone avant d'y revenir. Le personnel de réparation formé au Gaz Propane doit réparer la fuite, puis contrôler et rallumer le foyer au gaz pour vous.

## AUCUNE ODEUR DÉTECTÉE - AFFAIBLISSEMENT DE L'ODEUR

Certaines personnes ont l'odorat peu développé. Certaines personnes ne peuvent sentir l'odeur du produit chimique ajouté au gaz. Veillez à déterminer si on parvient à sentir l'odorisant dans le propane. Fumer peut diminuer votre aptitude à sentir. Être exposé à une odeur pour un certain temps peut affecter votre sensibilité ou aptitude à détecter cette odeur. Des fois, d'autres odeurs dans la zone peuvent masquer l'odeur du gaz. Les personnes pourraient ne pas sentir l'odeur du gaz ou leurs esprits sont occupés à d'autres choses. Se mettre à penser à l'odeur du gaz peut rendre la tâche plus facile.

L'odorisant dans le Gaz Propane est incolore et peut s'estomper sous certaines circonstances. Par exemple, en cas de fuite souterraine, le passage du gaz à travers le sol peut filtrer l'odorisant. Les odorants du gaz Gaz Propane peuvent s'oxyder. Cet affaiblissement peut avoir lieu lorsqu'il y a de la rouille à l'intérieur du réservoir ou dans les tuyaux de gaz en acier.

L'odorisant présent dans le gaz échappé peut être absorbé sur ou dans les murs, la maçonnerie et autres matériaux ou tissus dans la pièce. Ceci retire une partie de l'odorisant du gaz, réduisant l'intensité de son odeur.

Le Gaz Propane peut s'accumuler en couches dans les espaces clos et l'odeur peut varier avec la hauteur. Puisqu'il est plus lourd que l'air, il pourrait avoir plus d'odeur dans les niveaux inférieurs. Soyez toujours sensibles à la moindre odeur de gaz. Si vous détectez une odeur, considérez-la comme une fuite sérieuse. Passez immédiatement à l'action telle que décrite ci-dessus.

## CERTAINS POINTS À GARDER À L'ESPRIT

- Apprendre à reconnaître l'odeur du Gaz Propane. Votre fournisseur de Gaz Propane local peut vous fournir une brochure «Gratter pour sentir». S'en servir pour apprendre à reconnaître l'odeur du propane. Si le Gaz Propane utilisé semble avoir une odeur faible ou anormale, appeler le fournisseur de gaz.
- Ne pas allumer de veilleuse, effectuer d'entretien ou ajuster de réglage sur des foyers au Gaz Propane si on n'est pas qualifié. Si on est qualifié, bien penser à l'odeur de Gaz Propane avant et pendant l'allumage de veilleuses, l'entretien ou le réglage des appareils.
- Les sous-sols et les maisons non aérées peuvent avoir une odeur de moisi pouvant masquer l'odeur du Gaz Propane. Ne pas tenter d'allumer des veilleuses ni d'effectuer d'entretien ou de réglage dans un endroit où les conditions sont telles que l'odeur peut ne pas être détectable en cas de fuite de Gaz Propane.
- L'affaiblissement de l'odeur, par oxydation sur la rouille ou adsorption par les parois de bouteilles ou de cuves neuves, est possible. Donc, les gens devraient être particulièrement vigilants et avertis lorsque de nouveaux réservoirs ou cylindres sont mis en service. L'affaiblissement de l'odeur peut se produire dans les cuves neuves ou remises en service, si elles sont remplies et laissées trop longtemps avant le remplissage suivant. Les cylindres et les réservoirs qui ne sont plus en service pendant un certain temps vont développer une rouille intérieure qui cause un affaiblissement de l'odeur. Si vous pensez que de telles conditions existent, un test de reniflement du gaz est recommandé. **Pour toute question concernant l'odeur du gaz, appeler le fournisseur de Gaz Propane. UN contrôle périodique de l'odeur du Gaz Propane est une bonne mesure de précaution dans toutes circonstances.**
- Si, à tout moment, l'odeur de l'odorisant du Gaz Propane n'est pas perceptible alors qu'elle devrait l'être, présumer qu'il y a une fuite. Prendre les mêmes mesures immédiates que celle préconisée plus haut lorsque le Gaz Propane odorisé est détecté.
- En cas d'épuisement total du gaz (plus de pression de vapeur dans le réservoir), fermer immédiatement le robinet du réservoir. Si la valve du réservoir est restée ouverte, le réservoir pourrait tirer de l'air au travers de ses ouvertures comme les orifices de la veilleuse. Dans ce cas, une rouille interne pourrait avoir lieu. Si la valve est laissée ouverte, traitez le conteneur en tant que nouveau réservoir. Pour s'assurer que le réservoir est toujours sous pression de vapeur, fermer le robinet ou refaire le plein du réservoir avant qu'il soit complètement vide.

# SPÉCIFICATIONS DU PRODUIT

## PRESSIONS D'ALIMENTATION EN GAZ (POUCES DE COLONNE D'EAU)

Type de gaz	Maximum	Minimum	Collecteur
Natural	14	4.5	4.5
Propane	14	11	11

Numéro de modèle	OLL60FP12 (Naturel)	OLL60FP12 (Propane)	OLL60SP12 (Naturel)	OLL60SP12 (Propane)
BTU / h maximum d'entrée	65,000	65,000	65,000	65,000
BTU / h minimum d'entrée	39,000	37,000	39,000	37,000
KWH Maximum	19.05	19.05	19.05	19.05
KWH Minimum	11.43	10.84	11.43	10.84
Orifice	#14	#41	#14	#41
Réglage de l'obturateur d'air	1/16 po Ouvrir	Plein ouvert	1/16 po Ouvrir	Plein ouvert
Tuyau de la vanne d'arrêt d'entrée de gaz	1/2 NPT	1/2 NPT	1/2 NPT	1/2 NPT

## ACCESSOIRES

### VERRE PILÉ DÉCORATIF

#### Jeux de verre pilé décoratif requis (10 pi<sup>2</sup> requis pour le brûleur et l'éclairage DEL)

Modèle	Description
DG1CLF*	Givré clair
Verre pilé décoratif (comme accent seulement)	
Modèle	Description
DG1BKP*	Noir poli
DG1BUC*	Bleu clair

\* Le verre pilé décoratif givré clair est requis. Les gouttelettes décoratives en verre ne peuvent être substituées au verre pilé. Un sac de verre pilé couvre 1 pi<sup>2</sup>. Suffisamment de verre pilé pour couvrir 10 pi<sup>2</sup> est requis. Les couleurs du verre peuvent être mélangées. 10 sacs sont la quantité maximale de verre pilé décoratif permise. Le verre pilé transparent et translucide permet aux DEL de mieux briller à travers.

#### Les gouttes et les gouttelettes décoratives en verre (peuvent être utilisées en plus du verre pilé)

Modèle	Description
DG1NXS	1 po Gouttes décoratives en verre - Onyx solide
DG1RYC	1 po Gouttes décoratives en verre - Ruby clair
DG1TZC	1 po Gouttes décoratives en verre - Topaze clair
DG1AB	1/2 po Gouttelettes décoratives en verre - Aqua bleu
DG1GC	1/2 po Gouttelettes décoratives en verre - Glacier Ice
DG1SL	1/2 po Gouttelettes décoratives en verre - Sangria Luster

Remarque : Les gouttelettes décoratives en verre peuvent être ajoutées sur le dessus du verre pilé pour enjoliver. Les gouttelettes décoratives en verre doivent être placées sur la flamme du brûleur. Vous reporter à l'installation de verre pilé, page 22. Ne pas ajouter plus d'un sac de gouttelettes décoratives en verre.

### Accessoires

Modèle	Description
DT48LSS	Plateau d'écoulement en acier inoxydable – (Pour les foyers 48 po et 60 po)
WD60LSS	Porte en acier inoxydable – 60 po (commander deux pour les foyers ouverts 2 faces)
WG60LT1	Verre déflecteur pour les endroits venteux – 60 po (commander deux pour les foyers ouverts 2 faces)
35829	Trousse de conversion du gaz naturel au gaz propane
35830	Trousse de conversion gaz propane à gaz naturel

# INTRODUCTION

## Instructions à l'installateur

1. L'installateur doit laisser le manuel d'instructions au propriétaire après la pose.
2. L'installateur doit demander au propriétaire de remplir et poster la carte d'enregistrement fournie avec le foyer ou de s'enregistrer en ligne sous [www.empirecomfort.com](http://www.empirecomfort.com).
3. L'installateur doit montrer au propriétaire comment démarrer et faire fonctionner le foyer extérieur.

Toujours s'informer auprès du Service de la construction local des réglementations, codes ou ordonnances s'appliquant à la pose d'un foyer à gaz extérieur.

### AVERTISSEMENT

**Pour éviter des blessures et des dommages au foyer ou à la zone environnante, ne pas brûler du bois ou autres combustibles solides dans ce foyer.**

### AVERTISSEMENT

**TOUTE MODIFICATION DE CE FOYER OU DE SES COMMANDES PEUT ÊTRE DANGEREUSE.  
Une installation ou une utilisation incorrecte du foyer peut provoquer des blessures graves ou la mort par incendie, brûlure, explosion ou intoxication au monoxyde de carbone.**

Le concept de cette série est certifié conformément aux normes **ANSI Z21.97/CSA 2.41 pour foyers au gaz extérieur** et doit être installé conformément à ces instructions.

**Toute modification de la configuration d'origine, installation autre que celles présentées dans ces instructions ou utilisation d'un type de gaz non spécifié sur la plaque signalétique relève de la responsabilité de la personne ou de la société effectuant la modification.**

## Système de sécurité à valve manuelle

Lorsque le brûleur s'allume, une thermopile détecte un signal (courant électrique) qui active un aimant dans la vanne de gaz. Après 30 à 60 secondes, on peut relâcher le bouton de commande. Si la thermopile ne détecte pas la flamme, le gaz sera fermé.

## Important

Toute correspondance doit comporter le numéro de modèle complet, le numéro de série et le type de gaz.

## Résistance à l'humidité

Ce foyer extérieur déversera de faibles quantités d'eau, mais n'est pas étanche. L'eau et la vapeur d'eau en condensation pourraient entrer dans le caniveau sous certaines conditions.

Le foyer ne performera pas en tant que mur extérieur. La pénétration de l'humidité doit être considérée pour les constructions qui placent le foyer dans des murs de structures ou sur des surfaces sensibles à l'humidité.

Lorsqu'il est installé sur des murs extérieurs : Empire Comfort Systems recommande que le caniveau du foyer soit construit à l'extérieur de l'enveloppe d'intempérie. À l'endroit où la plateforme rencontre le mur, utilisez une bande de solins similaire à celle nécessaire pour les terrasses attachées. Les plateformes de caniveaux, y compris les âtres, devraient être en pente à partir de la structure à 0,64 cm (1/4 po) par pieds. Le foyer peut être calé pour le mettre à niveau.

Lorsqu'il est installé sur des surfaces où de l'eau pourrait se déposer ou causer des dommages : Empire Comfort Systems recommande une pente de 0,31 à 0,64 cm (1/8 po à 1/4 po) par pied vers le drain suggéré. Le foyer peut être calé pour le mettre à niveau.

Les âtres devraient être en pente en sens contraire de l'avant du foyer et qu'il descende de 0,31 à 0,64 cm (1/8 à 1/4 po) par pied. Des bandes métalliques de refuge doivent se trouver au-dessus de tout matériau combustible de l'âtre utilisés pour la gestion d'humidité.

Lors de l'achat d'une boîte à feu, nous recommandons d'acheter aussi une housse pour protéger l'appareil contre l'humidité. Ne jamais poser un brûleur dans un endroit où l'humidité ne peut pas s'évacuer facilement. Nous recommandons d'utiliser une protection contre les intempéries pour protéger le brûleur de l'humidité.

## Service d'installation qualifié

La pose et le remplacement de conduites de gaz, d'appareils alimentés au gaz ou d'accessoires et la réparation et l'entretien du matériel doivent être confiés à un service qualifié. Le terme «service qualifié» fait référence à toute personne, firme, société ou entreprise qui, soit en personne soit par l'intermédiaire d'un représentant, est engagée dans et responsable de (a) la pose ou le remplacement de conduites de gaz ou (b) le raccordement, l'installation, la réparation ou l'entretien de matériel, qui est expérimentée dans ce domaine, familiarisée avec toutes les mesures de précaution requises et s'est conformée à toutes les exigences réglementaires en vigueur.

## Codes locaux

- Lorsque le foyer est connecté à un système de tuyauterie fixe, l'installation doit se conformer avec les codes locaux, ou en l'absence de codes locaux, avec le *Code de gaz combustible national ANSI Z223.1/NFPA 54*, ou le *Code de gaz combustible international*.
- Le foyer, lors de son installation, doit être électriquement relié à la terre en conformité avec la réglementation locale ou, en l'absence de réglementation locale, avec le *Code électrique national, ANSI/NFPA 70*, si applicable.

Commonwealth du Massachusetts : L'installation doit être effectuée par un plombier ou un installateur-chauffagiste agréé dans le Commonwealth du Massachusetts.

L'installation doit être conforme avec les codes locaux ou, dans l'absence de codes locaux, avec le Code de gaz combustible national ANSI Z223.1.\*

\*Disponible auprès de l'*American National Standards Institute, Inc. 1430 Broadway, New York, N.Y. 10018.*

## Hautes altitudes

Aux altitudes supérieures à 610 m (2 000 pieds), les valeurs d'entrée doivent être réduites de 4% pour chaque portion de 305 m (1 000 pieds) au-dessus de la mer. Contactez le fabricant ou votre société de gaz avant de changer la taille de l'injecteur/orifice.

## Installations pour le gaz de tête de puits

Certaines installations au gaz naturel de type «tête de puits». Ceci peut affecter le BTU de sortie de l'unité. Contactez la société de gaz pour obtenir la valeur de chauffage. Contactez le fabricant ou votre société de gaz avant de changer la taille de l'injecteur/orifice.

# MATÉRIAUX COMBUSTIBLES

Ne pas attacher de matériaux combustibles à l'âtre de votre foyer. Ceci est un risque d'incendie.

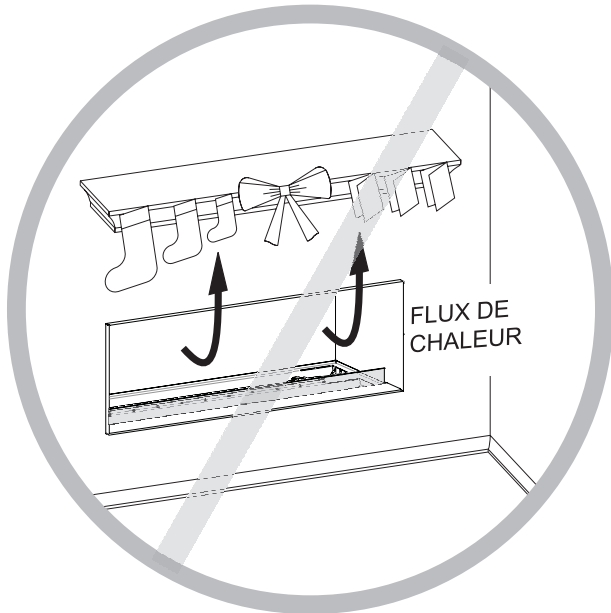


Figure 1

Ne jamais poser ni accrocher de cartes de vœux, bas ou ornements de quelle que nature que ce soit sur le foyer. Ceci est un appareil de chauffage. Le flux de chaleur peut enflammer ces matières combustibles.

**Remarque :** ceci concerne les deux côtés des foyers ouverts à deux faces.

## Considérations pour télévision

L'installation d'une télévision au-dessus d'un foyer est devenue de plus en plus populaire; cependant, l'espace au-dessus de tout foyer devient chaud et la plupart des fabricants de télévision ne recommandent pas d'installer leurs produits à proximité d'une source de chaleur.

Si vous installez une télévision au-dessus de ce foyer, soyez avisé que Empire Comfort Systems n'accepte aucune responsabilité en cas de dommage ou blessures. Suivre les directives d'installation du fabricant de télévision ainsi que toutes recommandations se rapportant à la proximité avec les sources de chaleur.

Si vous avez une télévision au-dessus du foyer, éteignez le foyer et laissez-le complètement refroidir avant de faire l'entretien ou de toucher les boutons de la télévision.

# DÉGAGEMENTS

## Dégagements minimaux pour mur et plafond

Dégagements pour parois : L'espace entre l'intérieur du foyer et tout type de mur combustible ne peut être inférieur à 15,25 cm (6 po).

Espacements du plafond : La hauteur du plafond ne devrait pas être inférieure à 61 cm (24 po) à partir du capot.

Dégagement du manteau : Si unâtre inflammable est installé, il doit se conformer aux exigences de dégagement décrites dans la figure 2.

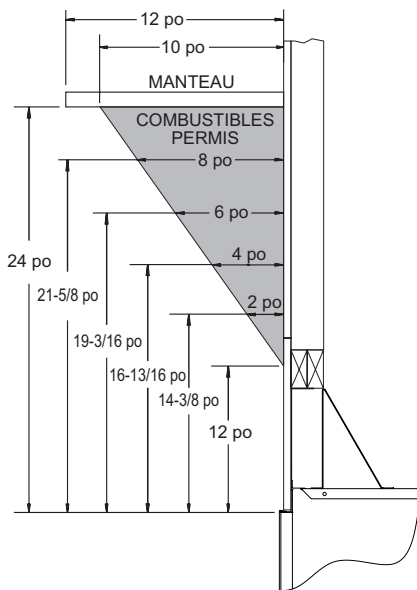
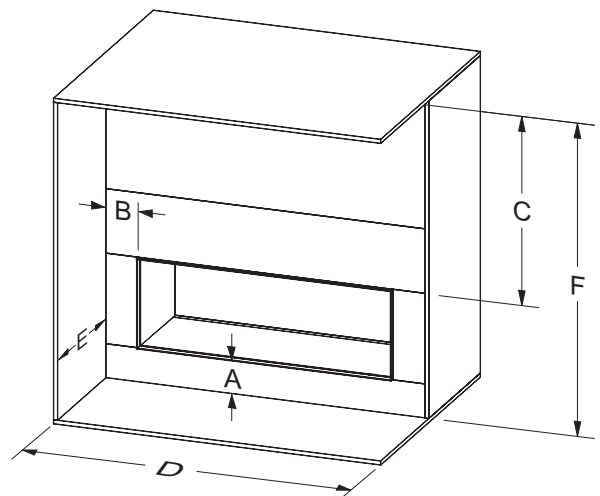


Figure 2 – dégagements pour manteau de foyer



Repère	Description	Dimension depuis l'ouverture du foyer (en pouces)
A	Depuis le sol ou autre surface combustible	10-1/4*
B	Depuis les parois	6
C	Du plafond (minimum)	24
D	Largeur de l'alcôve (minimum)	72
E	Profondeur de l'alcôve (maximum)	24
F	Hauteur de plafond (minimum)	90

\*Remarque : la dimension A comprend 3-1/2 po sous le foyer pour supporter le cadrage et l'installation du plateau d'écoulement.

Figure 3 – dégagements pour l'alcôve du foyer

# DÉGAGEMENTS

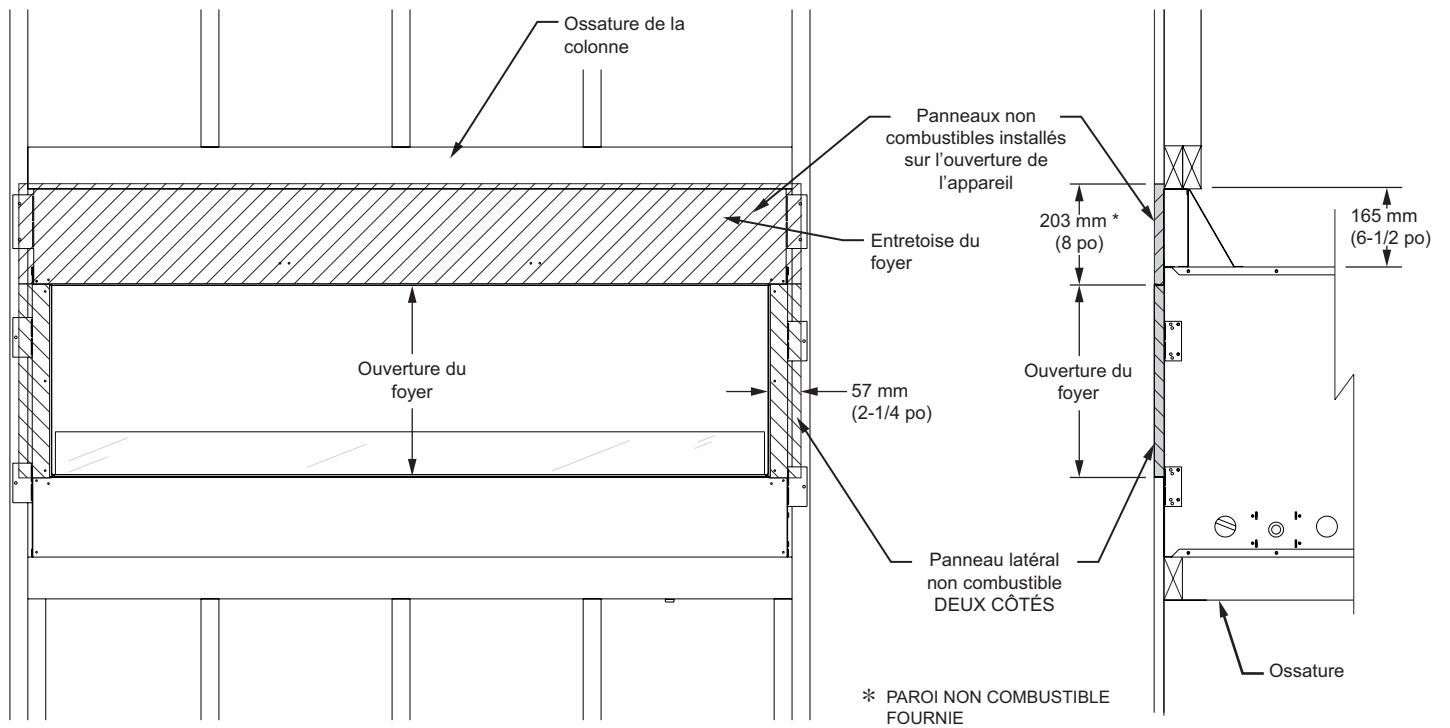
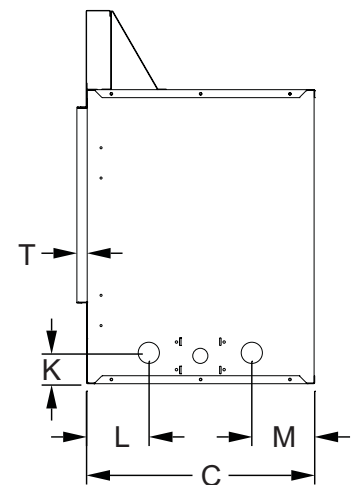
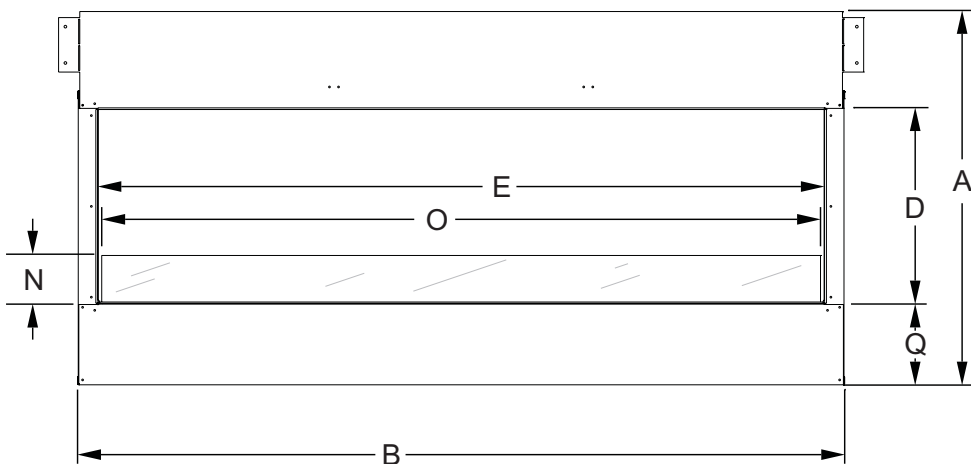
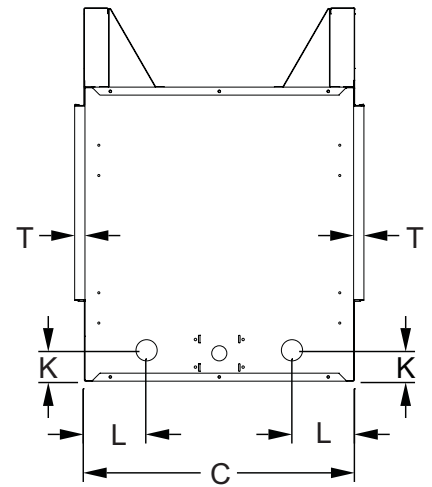
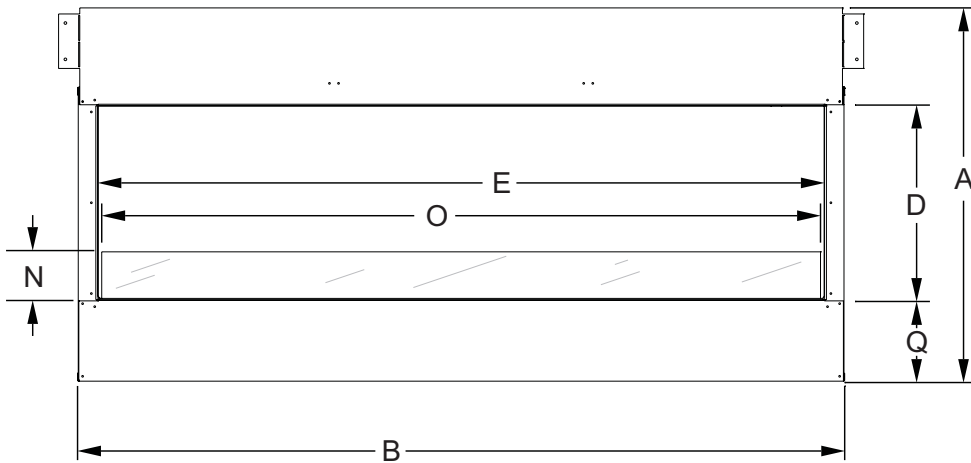


Figure 4

Vue devant et latérale du panneau non combustible à l'ouverture sur la façade du foyer

**\*Remarque :** Un matériau non combustible de 203 mm (8 po) minimum est requis au-dessus de l'ouverture du foyer. Un matériau non combustible de 406 mm (16 po) est fourni pour allouer le placement du joint du mur dans une zone de température plus fraîche.

# DIMENSIONS DU FOYER



LETTRE DE RÉPERTOIRE	DESCRIPTION DE LA DIMENSION	OLL60FP	OLL60SP
		dimensions en pouces	
A	La hauteur maximale de la façade du foyer	30-7/8	30-7/8
B	La largeur maximale de la façade du foyer (excluant les brides de clouage)	63-3/4	63-3/4
C	La profondeur maximale du foyer	19-1/8	22-1/2
D	La hauteur de l'ouverture du foyer	16-3/16	16-3/16
E	La largeur de l'ouverture du foyer	60	60
F	La profondeur intérieure du foyer (non illustrée)	19	23-7/8
G	La largeur extérieure arrière du foyer (non illustrée)	60	60
K	Hauteur du bas du foyer à l'ouverture de la conduite de gaz	2-9/16	2-9/16
L	Profondeur de la façade du foyer à l'ouverture de la conduite de gaz	5-3/16	5-3/16
M	Profondeur de l'arrière du foyer à l'ouverture de la conduite de gaz	5-3/16	S/O
N	Hauteur de la vitre	3-1/2	3-1/2
O	Largeur de la vitre	59-3/8	59-3/8
Q	Distance du plancher à l'ouverture du foyer	6-11/16	6-11/16

S/O - Non applicable pour cette unité.

# PLANIFIER L'INSTALLATION

## Ce dont il faut tenir compte avant l'installation

1. Vérifier que le type du foyer au gaz et le type d'alimentation en gaz sont les mêmes.
2. Trouver un endroit où les combustibles ne risquent pas d'interférer.
3. Une prise avec disjoncteur de fuite de terre 120 volts sera nécessaire pour les témoins DEL.
4. Choisir un endroit pour la valve d'arrêt du gaz.
5. Vérifier que la ventilation respecte les exigences minimales.
6. Sens du vent et de la pluie.
7. Écoulement sous le foyer.
8. Bac d'écoulement et contre-porte.
9. Accessoires en verre.

Lors de la planification de l'installation du foyer, déterminer l'endroit où l'unité sera installée et si des accessoires facultatifs sont désirés. La tuyauterie d'alimentation en gaz devrait aussi être planifiée à ce point. Le foyer peut être posé sur l'une des surfaces suivantes :

1. Une ossature relevée de matériel combustible afin que le contact se fasse sur les quatre bords du périmètre inférieur du foyer à au moins 89 mm (3-1/2 po) au-dessus du sol.
2. Les quatre coins du foyer doivent être en contact avec les quatre bords périmètre au bas de l'unité à au moins 89 mm (3-1/2 po) au-dessus du sol. Vérifier les exigences en matière d'allocation.

À ce point, vous devriez avoir décidé quels composants à ajouter à votre installation, et l'emplacement du foyer. Si ce n'est pas déjà fait, arrêtez et consultez votre concessionnaire avec cette planification.

### AVERTISSEMENT

Ce foyer est conçu pour être installé sur une terrasse ou dans votre jardin. **Ce foyer ne peut être utilisé qu'à l'extérieur dans un endroit bien aéré et ne doit PAS être utilisé dans un bâtiment, garage ou tout autre endroit fermé.** Ce foyer ne peut être installé avec une ouverture à l'intérieur d'une résidence.

**AVIS : Ce foyer n'est PAS équipé d'un pilote détecteur d'appauvrissement de l'oxygène (ODS).**

L'installation de ce foyer peut être dans un endroit «ouvert», toutefois il est recommandé d'installer ce foyer dans un endroit à l'abri des vents directs. Le vent direct rendra la flamme instable et pourrait éteindre le brûleur. La flamme erratique pourrait causer une suie noire excessive. Ces situations sont gênantes plutôt que des problèmes de sécurité. Éviter les endroits où il y a un risque d'humidité ou d'eau courante à proximité ou sur le foyer.

Une installation typique pourrait comprendre une terrasse couverte, une véranda ouverte, un belvédère ou le mur extérieur d'une maison.

- Aire de véranda minimum – 8,91 m (96 pieds) carrés
- Hauteur de plafond minimum – 229 cm (90 pouces)

Les témoins DEL ont besoin d'une prise avec disjoncteur de terre 120 volts sur le côté valve du foyer. La prise avec disjoncteur de terre sera installée à l'extérieur du foyer. Une boîte de jonction est livrée à l'intérieur du foyer afin d'offrir un emplacement pour brancher les DEL.

## Exigences pour boîtier de foyer extérieur

Ne pas installer le foyer tant que toutes les mesures n'ont pas été effectuées à l'égard de la combustion et l'air de ventilation. Veuillez lire les directives écrites livrées avec le foyer pour obtenir des informations concernant la combustion et l'air de ventilation. Faute de directives, veuillez consulter le code national en matière de gaz combustible, ANSI Z223.1/NFPA54, air pour combustion et ventilation ou les codes locaux en vigueur.

L'installation dans un boîtier partiel doit être conforme à l'une des conditions suivantes :

- Avec des parois sur tous les côtés, mais aucun couvert aérien. **Voir figure 5.**

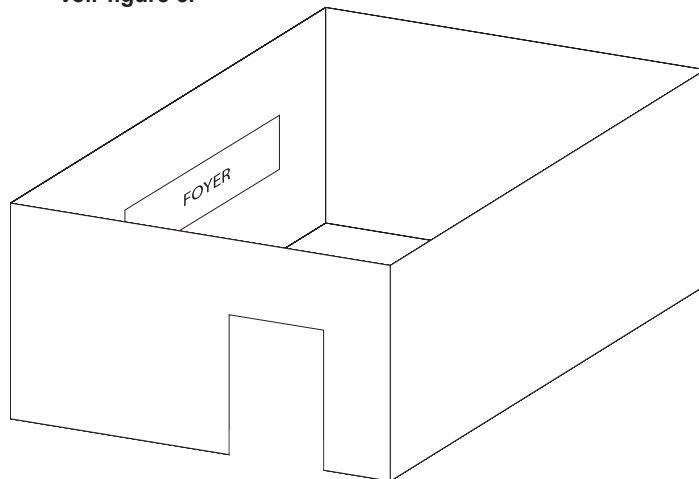


Figure 5

- Avec un boîtier partiel qui comprend un couvert aérien, mais pas plus de deux parois latérales. Ces parois latérales peuvent être parallèles, comme dans un passage couvert ou à angles droits sur chaque côté. **Voir figure 6.**

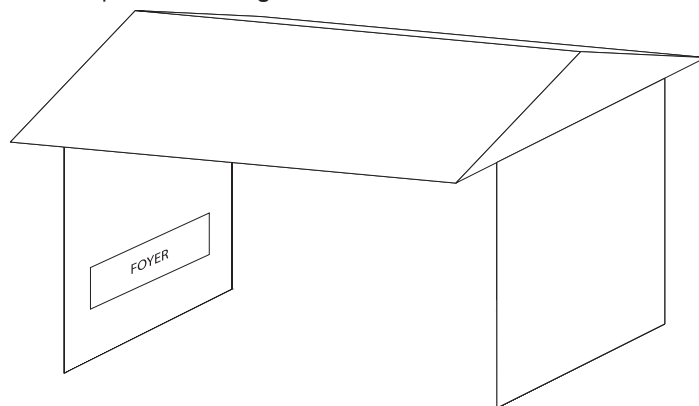


Figure 6



# PLANIFIER L'INSTALLATION (CONT'D)

- À l'intérieur d'une enceinte partielle comprenant un couvercle sur le dessus et trois parois latérales, pourvu que 30 pour cent ou plus de la périphérie horizontale (périmètre des murs et du côté ouvert) de l'enceinte soit ouverte en permanence. Voir la Figure 7.

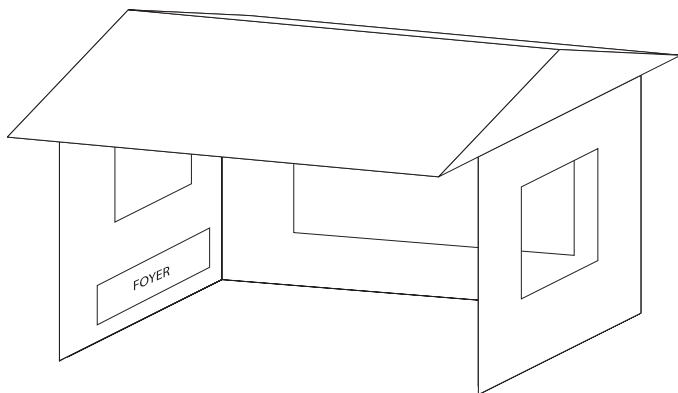


Figure 7

Si l'installation s'effectue dans un porche avec moustiquaire, l'espace ouvert doit être ajusté (augmenté) de 30 pour cent (espace ouvert ajusté = 30 % / % de l'aire ouverte de la moustiquaire). « Par exemple, si vous utilisez une moustiquaire avec 66 % d'aire ouverte, l'espace ouvert minimum de votre bâtiment doit être égal à 46 % de la périphérie. Si vous avez un porche (recouvert) avec moustiquaire comportant deux parois latérales de 16 pi chacune, une paroi contre la maison de 20 pi et un côté ouvert de 20 pi, le périmètre totaliserait 72 pi. Vous auriez donc besoin de 33 pi de périmètre ouvert ( $72 \text{ pi} \times 46 \% = 33 \text{ pi}$ ). »

**(Adressez-vous au fabricant ou revendeur de moustiquaire pour déterminer l'aire ouverte de vos moustiquaires).**

## AVIS : Avis de non-responsabilité Soffite vinyle, plafond vinyle, surplomb vinyle

Les dégagements sont jusqu'au matériau résistant à la chaleur (par ex. bois, métal). Ceci n'inclut pas le vinyle. Empire Comfort Systems Inc. ne sera pas tenu responsable des dommages causés par la chaleur à cause des terminaisons sous des surplombs en vinyle, des plafonds en vinyle ou des soffites en vinyle ventilés/non ventilés.

## ⚠ AVERTISSEMENT

Une mauvaise installation ou altération, un mauvais ajustement, service ou entretien pourrait causer des dommages matériels, des blessures, voire même la mort. L'installation et l'entretien doivent être exécutés par un installateur qualifié, une agence de service ou par le fournisseur de gaz.

## Raccordement de conduite de gaz

Le foyer est conçu pour accepter une conduite de gaz de 1/2 po. Faites installer la conduite par une personne qualifiée selon tous les codes en bâtiment. Consulter les codes en bâtiment locaux pour installer une conduite d'alimentation de gaz adéquate pour un raccordement de 1/2 po à l'appareil. L'état du Massachusetts prévoit qu'un connecteur de foyer flexible ne doit pas dépasser 91 cm (trois pieds) de long. Un raccordement de conduite flexible aux valves est fourni. **Le robinet d'arrêt du gaz doit se trouver à l'extérieur de l'appareil à un endroit accessible.**

Vérifier le type de gaz sur l'étiquette de valeurs nominales à l'arrière de la porte de contrôle. Si le gaz indiqué sur l'étiquette de valeurs nominales sur le panneau de commande ne correspond pas au gaz alimenté, NE PAS INSTALLER. S'informer auprès du fournisseur pour un modèle qui convient ou d'une trousse de conversion.

Toujours utiliser un régulateur externe pour tous les foyers au Gaz Propane afin de réduire la pression au réservoir à un maximum de 13 po CE.

## ⚠ AVERTISSEMENT

**Un raccordement direct à un réservoir Gaz Propane non régulé peut causer une explosion.**

## ⚠ AVERTISSEMENT

**Risque d'incendie, d'explosion ou d'asphyxie. Veiller à ce qu'il n'y ait pas de flamme ni d'étincelle pouvant allumer à proximité de l'installation. Ceci comprend des cigarettes ou des téléphones cellulaires.**

Faire un test d'étanchéité de tous les raccordements avec une solution d'eau et de savon. Une formation de bulles indique une fuite. Faire attention pour éviter les brûlures.

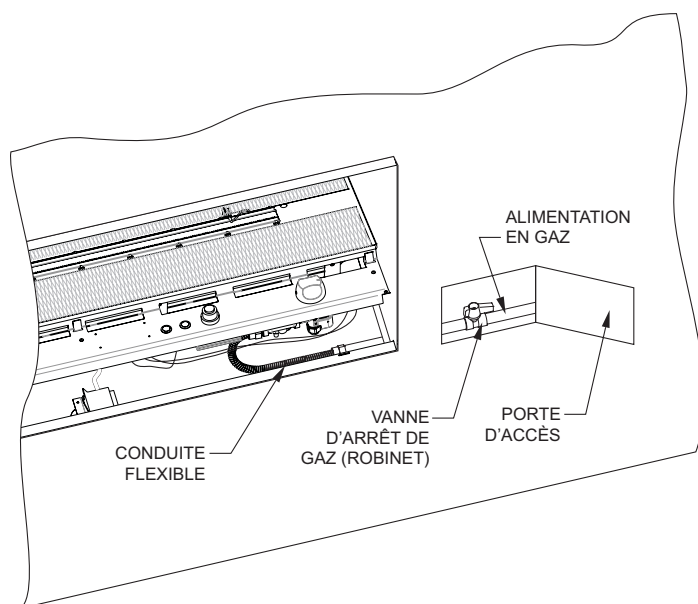


Figure 8

## Exigence en matière d'écoulement d'eau\*

Il faut prévoir d'éloigner de l'appareil tout écoulement d'eau. Il est possible d'acheter un bac d'écoulement en option chez votre détaillant Empire qui s'installe sous le foyer. Si un bac d'écoulement en option est installé, il faut le faire avant d'installer le foyer. Pour obtenir de plus amples informations, veuillez consulter les directives d'installation fournies avec le bac d'écoulement. Si ce bac n'est pas utilisé, il faut installer d'autre évacuation d'eau.

\*Si vous installez un accessoire de plateau de drainage, ajoutez au moins 6 pouces de plus à la hauteur du boîtier pour laisser suffisamment d'espace pour le bac de drainage, le connecteur et le dégagement de la tubulure.

# PLANIFIER L'INSTALLATION (CONT'D)

## Considérations électriques

### ⚠ ATTENTION

Tous les câblages doivent être effectués par un électricien qualifié et être conformes à tous les codes du bâtiment locaux, municipaux et provinciaux en vigueur. Avant d'effectuer le raccordement électrique, s'assurer que l'alimentation électrique principale est débranchée. Le foyer, lors de son installation, doit être électriquement relié à la terre en conformité avec la réglementation locale ou, en l'absence de réglementation locale, avec le code électrique national, ANSI/NFPA 70, si une source électrique externe est utilisée.

Une boîte de jonction est posée d'usine sur le côté inférieur droit du foyer. La boîte de jonction et le câblage peuvent être installés de l'autre côté du foyer si désiré. Le câblage à la boîte de jonction doit avoir une gaine métallique ou être dans un conduit approuvé pour une utilisation extérieure. Connecter le câblage à une prise avec disjoncteur à la terre externe installée à proximité du foyer. **Voir figure 9.**

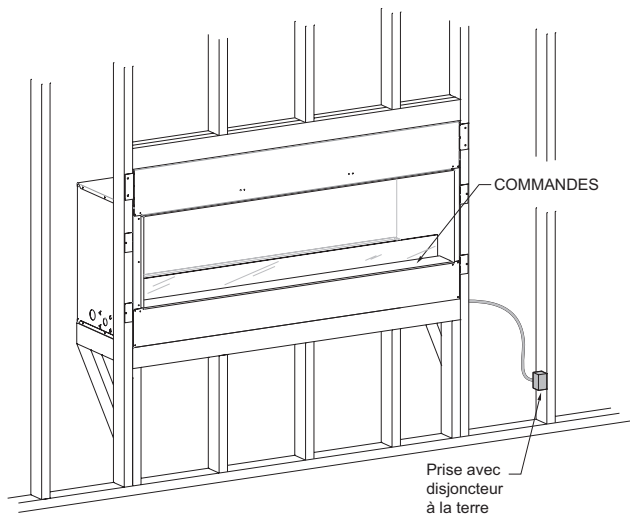


Figure 9

# ENCADREMENT ET INSTALLATION DE FOYER

## CADRAGE ET INSTALLATION

### Déballage du foyer

Après avoir enlevé la boîte en carton, retirer les vis qui retiennent les poteaux de coin et le contreplaqué au foyer. Jeter les poteaux de coin et le contreplaqué.

Le panneau non combustible est sous le foyer sur la palette. Retirer toute pellicule protectrice du foyer et tous les composants (brides de clouage, entretoises, etc.).

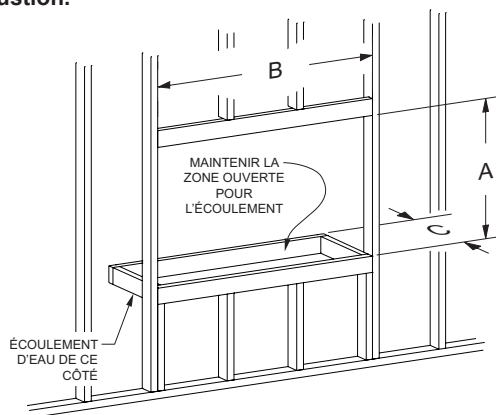
### Ossature

L'ossature du foyer doit être construite avant la mise en place du foyer. L'ossature du foyer peut être fabriquée en montants de 5,1 cm x 122 cm (2 po x 4 po). Les linteaux d'ossature doivent reposer sur les entretoises du foyer. Voir les dimensions minimales d'ossature à la **figure 11**.

### ⚠ ATTENTION

Mesurer les dimensions du foyer et vérifier l'ossature prévue et les revêtements de mur avant de commencer la construction.

La dimension **A** de l'ossature comprend un dégagement de **16 ½ po** pour les entretoises sur le dessus du foyer. Après avoir installé la chambre de combustion dans l'ossature, le mur fini doit couvrir cette ouverture de **16 ½ po** au-dessus de la chambre de combustion.



DIMENSIONS DE L'INSERTION (en pouces)		
	OLL60FP	OLL60SP
Hauteur A	31	31
Largeur B	64	64
Profondeur C	19-1/4	22-1/2

Figure 11 – Ossature du foyer

Avant de terminer l'ossature et d'installer le foyer, fournir un chemin pour éloigner l'écoulement d'eau du foyer.

Déterminer si le bac d'écoulement en option sera utilisé. Vous reporter à la page 12. Si le bac d'écoulement est installé, suivre les directives fournies avec ce dernier pour l'installer à cette étape.

### Installation

1. Choisir un emplacement pour l'installation.
2. Construire l'ossature pour le foyer. Vous reporter aux dimensions de l'ossature à la figure 11. Les dégagements sont indiqués aux pages 8 et 9.
3. Repérer les brides de clouage dans l'enveloppe d'installation et les fixer aux côtés du foyer avec deux vis hexagonales n° 10 – 32 x 1/2.

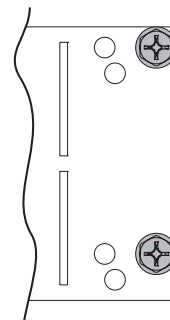


Figure 12 - Position de la bride de clouage

4. Plier les pattes de bride de clouage à angles droits jusqu'à ce qu'elles soient alignées avec la façade du foyer.  
**Pour les foyers deux faces seulement :** Plier les pattes sur un côté du foyer seulement. Plier les pattes sur la bride supérieure de la façade opposée à angles droits pour permettre aux pattes de dégager l'ossature lors du glissement du foyer en place. Voir **figure 13**.
5. Soulever le foyer et installer dans l'ossature. Glisser le foyer jusqu'à ce que les brides de clouage rencontrent l'ossature. Fixer le foyer à l'ossature avec une vis à cloison sèche n° 8 x 1. Pour les foyers à deux faces, plier l'arrière des brides de clouage à angles droits sorti et fixer avec une vis à cloison sèche n° 8 x 1.

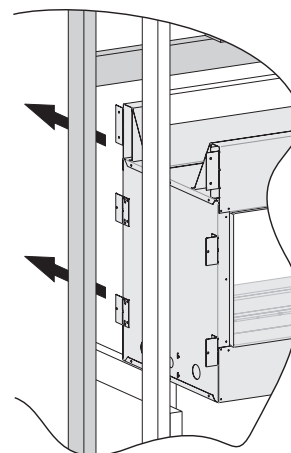


Figure 13

# ENCADREMENT ET INSTALLATION DE FOYER

## CADRAGE ET INSTALLATION

6. Fixer la bride de clouage aux goujons d'ossature de côté avec quatre vis à cloison sèche n° 8 x 1
7. Pour raccorder la conduite de gaz et installer la connexion électrique, le brûleur doit être incliné vers le haut du foyer.
  - a. Retirer la porte de contrôle en ouvrant la porte, en retirant l'axe d'articulation central, et en la soulevant vers le haut pour désengager les fentes sur les extrémités de la porte dans les axes d'articulation.
  - b. Retirer les deux boulons d'articulation et les rondelles de la porte de contrôle. **Voir figure 14.**

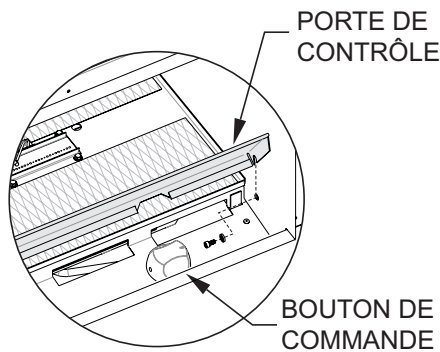


Figure 14

- c. Retirer les deux vis des coins avant du panneau de contrôle avec un tournevis Phillips. **Voir figure 15.**

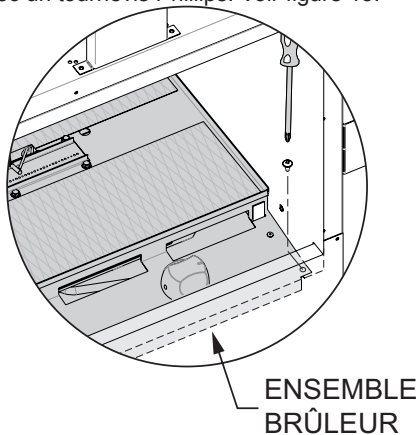


Figure 15

- d. Soulever le devant de l'ensemble du brûleur et incliner vers le haut et l'arrière du foyer. Récupérer les deux supports à l'intérieur du foyer et placer de chaque côté contre les coins avant au bas de l'armoire et sous les coins avant du panneau de contrôle. **REMARQUE :** Être prudent lors du soulèvement du brûleur pour éviter d'égratigner l'intérieur inoxydable du foyer.

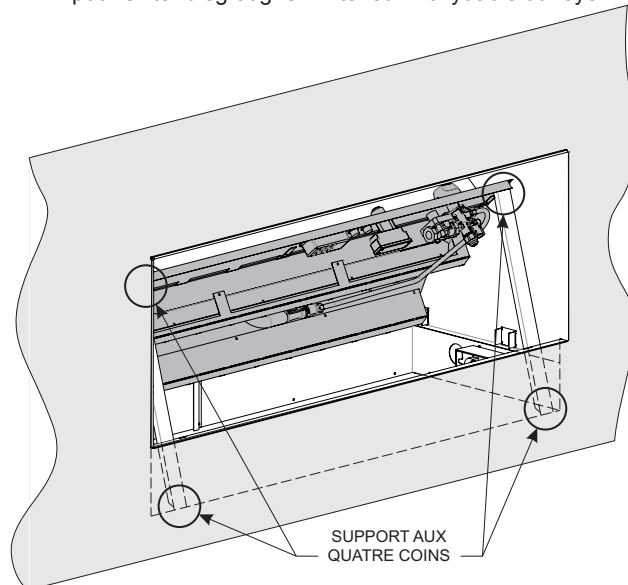


Figure 16

8. Installer les alimentations de gaz et électrique au foyer. Vous reporter à la page 17 pour les exigences en matière d'alimentation de gaz. Pour faciliter l'installation, les alimentations de gaz et électrique se trouvent sur le côté valve du foyer. Les deux peuvent être relocalisées sur l'autre côté du foyer.

# ENCADREMENT ET INSTALLATION DE FOYER

## ALIMENTATION ÉLECTRIQUE

### ⚠ ATTENTION

Tous les câblages doivent être effectués par un électricien qualifié et être conformes à tous les codes du bâtiment locaux, municipaux et provinciaux en vigueur. Avant d'effectuer le raccordement électrique, s'assurer que l'alimentation électrique principale est débranchée. Le foyer, lors de son installation, doit être électriquement relié à la terre en conformité avec la réglementation locale ou, en l'absence de réglementation locale, avec le code électrique national, ANSI/NFPA 70, si une source électrique externe est utilisée.

Le câblage à la boîte de jonction doit avoir une gaine métallique ou être dans un conduit approuvé pour une utilisation extérieure. Un connecteur pour boîte de jonction permettant de loger un conduit de 1/2 po est fourni dans l'enveloppe des directives. La prise du foyer doit être raccordée à une prise à disjoncteur à la terre externe installée à proximité du foyer. Vous reporter à la figure 17.

Acheminer le câblage de la prise avec disjoncteur à la terre externe dans le conduit à la boîte de jonction. Laisser environ 152 mm (6 po) de fil dans la boîte de jonction pour le raccordement.

Récupérer la prise et le couvercle dans l'enveloppe des directives. Fixer le câble noir à la vis couleur or et le câble blanc à la vis couleur argent la prise. Le fil de terre doit être fixé au vert vis de mise à la terre sur la boîte de jonction et la prise.

Mettre la prise en place et fixer la plaque de couverture. S'assurer que les portes de la plaque de couverture s'ouvrent vers le haut. Veiller à tester la prise pour s'assurer que le circuit de mise à la terre fonctionne correctement. Brancher le cordon d'alimentation du transformateur à la prise et fermer la porte inutilisée de la prise.

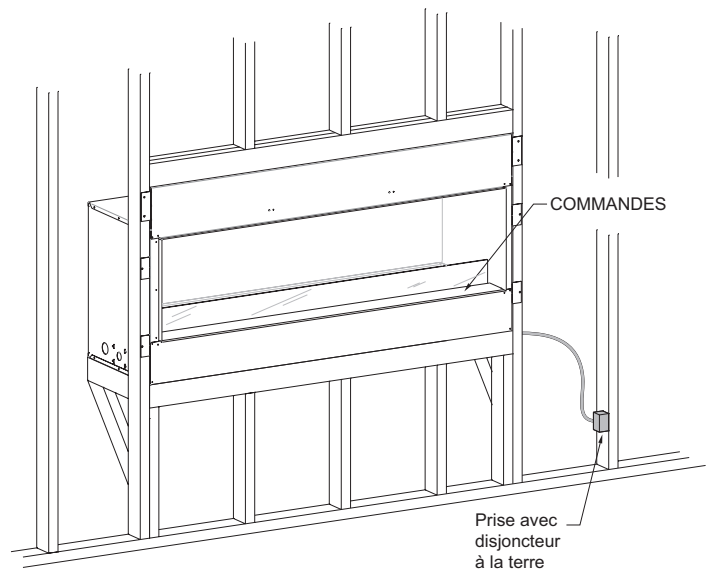


Figure 17

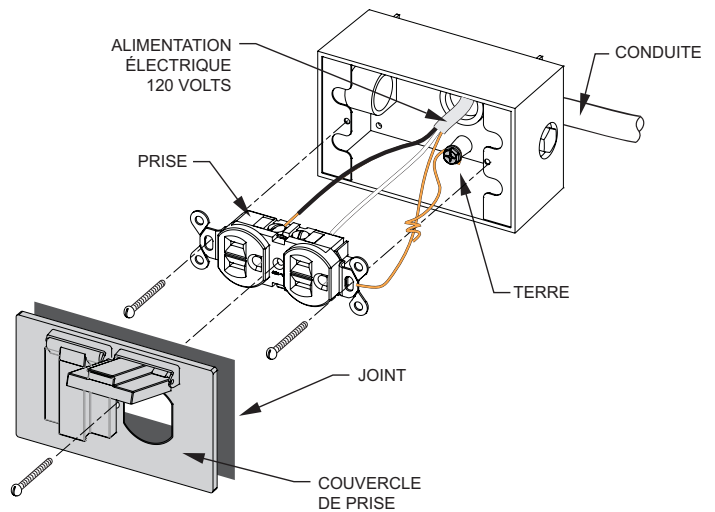


Figure 18

# ENCADREMENT ET INSTALLATION DE FOYER

## ALIMENTATION EN GAZ

- Les combustibles solides ne doivent pas être brûlés dans ce foyer.
- La pression d'alimentation en gaz maximum est de 11 po pour le Gaz Propane et 10,5 po pour le gaz naturel.
- Pour les foyers pour système de tuyauterie de combustible fixe et équipés d'un régulateur de pression à gaz pour foyer, la pression d'admission dans la colonne d'eau est de : 11 po pour le gaz propane et 4,5 po gaz naturel.
- Pour les foyers pour système de tuyauterie de combustible fixe et équipés d'un régulateur de pression à gaz pour foyer, l'appareil et ses valves de sectionnement individuels doivent être déconnectés de du système d'alimentation de gaz lors de tout test de pression de ce système à des pressions supérieures à 3,5 kPa (1/2 psi). Le foyer doit être isolé du circuit d'arrivée de gaz par la fermeture de sa vanne d'arrêt individuelle durant tout essai de pression du circuit d'alimentation en gaz à des pressions d'essai égales ou inférieures à 3,5 kPa (0,5 psi).

Vérifiez tous les codes locaux pour les exigences, spécialement pour la taille et le type de tuyauterie de gaz requis.

DIAMÈTRE MINIMUM DU TUYAU DE GAZ RECOMMANDÉ				
Longueur de tuyau	Tuyau nomenclature 40 Diamètre intérieur		Tube de type L Diamètre extérieur	
	Naturel	Propane	Naturel	Propane
0 à 10 pi 0 à 3 mètres	1/2 po 12.7mm	3/8 po 9.5mm	1/2 po 12.7mm	3/8 po 9.5mm
10 à 40 pi 4 à 12 mètres	1/2 po 12.7mm	1/2 po 12.7mm	5/8 po 15.9mm	1/2 po 12.7mm
40 à 100 pi 13 à 30 mètres	1/2 po 12.7mm	1/2 po 12.7mm	3/4 po 19mm	1/2 po 12.7mm
100 à 150 pi 31 à 46 mètres	3/4 po 19mm	1/2 po 12.7mm	7/8 po 22.2mm	3/4 po 19mm

**Remarque :** Vérifier si la réglementation locale autorise l'emploi de tuyaux en cuivre ou galvanisés pour usage extérieur.

**Remarque :** Certaines municipalités ayant des codes locaux supplémentaires, il est préférable de consulter les autorités locales et le code d'installation.

### Installer un robinet d'arrêt manuel du gaz

Chaque foyer doit avoir un robinet de gaz manuel accessible situé dans le voisinage de l'appareil. Lorsqu'il n'y en a pas ou si sa taille ou son emplacement ne convient pas, communiquer avec un installateur agréé pour installer ou déplacer le robinet.

Les pâtes d'étanchéité utilisées sur les raccords filetés de conduites de gaz doivent résister à l'action des gaz de pétrole liquéfiés. Les tuyaux de gaz doivent être vérifiés pour les fuites par l'installateur. Utiliser pour cela une solution savonneuse pour observer des bulles éventuelles sur tous les raccordements exposés et effectuer un essai de pression s'il y a des raccords non exposés. Pour éviter des dommages à la tuyauterie de gaz, enlever toute solution de test lorsque le test est complété.

### **AVERTISSEMENT**

**Ne jamais utiliser de flamme nue pour détecter les fuites. Pour effectuer l'essai de pression, débrancher le foyer de la conduite à l'entrée de la vanne de régulation et poser un bouchon sur la conduite. Ne jamais effectuer d'essai de pression avec le foyer raccordé, ceci endommagerait la vanne de régulation!**

Poser une vanne de gaz et un raccord à joint rodé sur la conduite de gaz en amont de la vanne de régulation pour faciliter l'entretien. Il est requis par le Code National Fuel Gas qu'une conduite de collecte soit installée à proximité de l'arrivée de gaz. Il doit s'agir d'une portion verticale de conduite en T posée sur la conduite de gaz et bouchée à la base, servant à collecter la condensation et les matières étrangères.

L'emploi des raccords de gaz suivants est conseillé :

- ANSI Z21.24 Connecteurs d'appareils et tubes et raccords en métal ondulé
- ANSI Z21.45 Connecteurs d'appareil flexibles assemblés non entièrement métalliques

Les raccords ci-dessus peuvent être utilisés s'il est acceptable par l'autorité ayant juridiction. Le Commonwealth du Massachusetts exige qu'un raccord d'appareil flexible ne puisse excéder trois pieds (91,4 cm) de longueur.

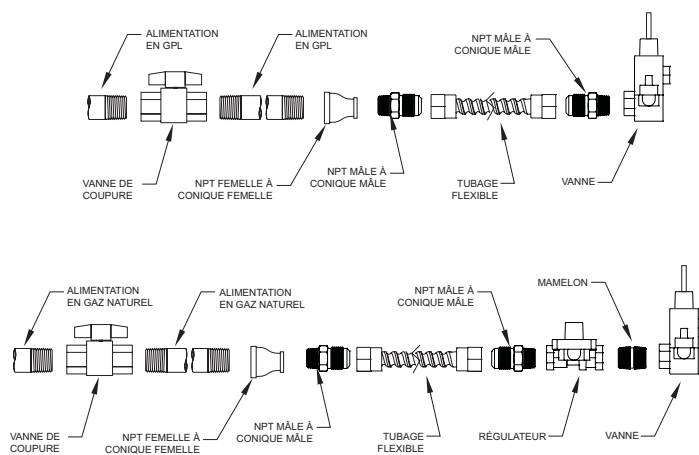


Figure 19

**Remarque :** Robinet d'arrêt du gaz illustré. Autres valves approuvées pour l'utilisation avec le gaz.

Une conduite flexible à la valve est déjà installée par l'usine. Le raccord conique se trouve dans l'enveloppe.

Un robinet d'arrêt de gaz manuel accessible doit être installé à l'extérieur du foyer.

# ENCADREMENT ET INSTALLATION DE FOYER

## INFORMATION SUR LE CYLINDRE DE GAZ PROPANE

### AVERTISSEMENT

Si ces directives ne sont pas suivies avec précision, un incendie peut se déclarer et causer de graves blessures, voire la mort.

#### Spécifications pour cylindre de propane

Ce foyer peut être utilisé avec un système d'alimentation à gaz Gaz Propane indépendant et non jetable :

- Des cylindres de propane peuvent être acceptables pour une utilisation avec le foyer s'ils sont compatibles avec les moyens de rétention du foyer.
- Le cylindre d'alimentation en Gaz Propane doit être construit et marqué selon les *spécifications des cylindres à Gaz Propane du département de transport des États-Unis (D. O. T.)*, ou des *normes pour les cylindres, sphères et tubes pour le transport des biens dangereux et commission, CAN/CSA-B339* au besoin.
- Les cylindres d'alimentation en Gaz Propane de 1,8 à 18 kg (4 à 40 livres) doivent posséder un appareil de prévention de trop-plein.
- Le cylindre d'alimentation en Gaz Propane doit posséder un appareil de connexion compatible avec le raccord du foyer.
- Si le foyer est équipé d'un dispositif de connexion de cylindre CGA n° 600, le cylindre doit être déconnecté lorsque le foyer n'est pas utilisé.
- Si le foyer doit être connecté en permanence au système de tuyauterie à gaz à partir d'un réservoir externe, l'installation doit être faite selon les codes locaux ou, dans l'absence de codes locaux, selon les *codes de gaz combustible nationaux ANSI Z223.1/NFPA 54*.
- Un cylindre bosselé ou rouillé peut comporter un risque et doit être vérifié par votre fournisseur de propane. Ne jamais utiliser un cylindre dont la valve est endommagée.
- Ce foyer peut être utilisé avec un cylindre à propane de 9,1 kg (20 lb) ou 13,6 kg (30 lb) (non fourni).
- Le cylindre à propane doit être fourni avec une valve d'arrêt terminant dans une valve de cylindre à propane de type QCC1 et un dispositif de sûreté ayant une communication directe avec l'espace vapeur du cylindre.
- Le système d'alimentation de cylindre doit être arrangé pour le retrait de la vapeur et le cylindre doit inclure un collier pour protéger la valve du cylindre.
- Le cylindre de Gaz Propane doit être fourni avec un dispositif de protection de trop plein (OPD). Ne jamais remplir le cylindre à plus de 80 pour cent.
- Ne pas stocker un cylindre de Gaz Propane de réserve sous ni près d'un foyer.
- Utiliser un régulateur de pression et un tuyau qui fournissent une pression de 11 po de colonne d'eau à un foyer et pourvus d'un raccord de type QCC1.
- Les cylindres qui seront utilisés avec cet appareil doivent être dotés d'une valve de cylindre QCC1. Un cylindre QCC1 est pourvu d'un siège de raccordement positif qui ne permet pas un débit de gaz tant qu'il n'est pas fermé de manière étanche. Il est aussi équipé d'un limiteur de débit. Afin d'obtenir un débit plein au foyer, la valve doit être fermée lorsque la valve du cylindre est ouverte.

### AVERTISSEMENT

Un incendie peut survenir si le tuyau d'alimentation en gaz fait contact avec le dessous du foyer.

#### Gaz Propane

Attacher la ferrure de retenue au cylindre fourni à la base du cylindre. Ensuite, fixer à la surface sur laquelle elle s'assoit. Le cylindre doit être sur une surface de niveau.

#### Ferrure de retenue de cylindre

1. Fixer la ferrure au bas de la bonbonne de propane en utilisant des boulons et écrous (non fournis).
2. Serrer le tire-fond dans la surface de montage en laissant environ 6 mm (1/4 po) de filet au-dessus de la surface.
3. Glisser la bonbonne de propane en place afin que la ferrure glisse sous la tête du tire-fond.
4. Serrer le tire-fond dans la ferrure.
5. Pour fixer à une surface de béton, il faut utiliser une ancre à béton. (non fournie)

**Raccordement du cylindre :** S'assurer que le tuyau du régulateur de gaz n'est pas plié. Retirer le bouchon de la valve de carburant du cylindre. Insérer le mamelon du régulateur QCC1 noir dans la valve de carburant QCC1. Serrer à la main dans le sens horaire. Ne pas utiliser d'outils. Faire un test d'étanchéité de tous les joints avant d'utiliser le foyer. Un test d'étanchéité doit être exécuté chaque année et chaque fois qu'un cylindre est raccordé ou si une pièce du système de gaz est remplacée. Si ce foyer est raccordé directement à la conduite d'alimentation en gaz propane du domicile, veuillez suivre les directives pour le raccordement au gaz naturel.

#### Considération en matière de sécurité

- S'assurer que la valve du cylindre est bien fermée. (Tourner dans le sens horaire pour l'arrêter).
- Vérifier les caractéristiques de la valve du cylindre afin de s'assurer que le filetage externe convient. (Valve de cylindre marquée : UTILISER AVEC TYPE 1)
- Inspecter l'état du tuyau. Ne jamais tenter d'utiliser un équipement endommagé ou bouché. Consulter un détaillant en Gaz Propane local pour effectuer les réparations.
- Lors du raccordement du régulateur à la valve du cylindre, serrer à la main dans le sens horaire l'écrou noir QCC1 jusqu'à l'arrêt positif. NE PAS utiliser une clé pour serrer. Utiliser une clé pourrait endommager l'écrou d'accouplement à fermeture rapide et produire une condition dangereuse.
- Localiser le tuyau hors des chemins où il risque de faire trébucher les gens ou à des endroits où il pourrait subir des dommages accidentels.
- Ouvrir complètement la valve du cylindre (dans le sens antihoraire). Fermer lentement la valve sur l'appareil jusqu'à la position ouverte puis utiliser une solution d'eau savonneuse pour vérifier que tous les raccords sont étanches comme indiqué sur les schémas avant de tenter d'allumer le foyer. En cas de fuite, éteindre la valve du réservoir et ne pas utiliser le foyer tant que la réparation n'est pas faite.

# ENCADREMENT ET INSTALLATION DE FOYER

## INFORMATION SUR LE CYLINDRE DE GAZ PROPANE

### Recouvrements pour systèmes d'alimentation en Gaz Propane

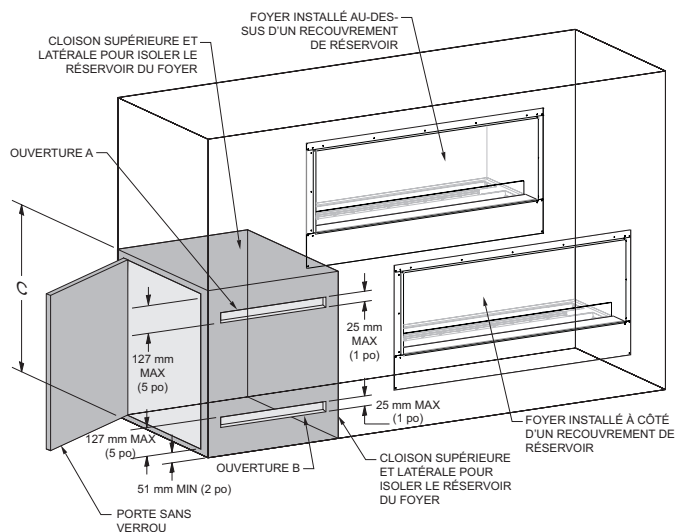
Les recouvrements des cylindres d'alimentation en Gaz Propane devront être ventilés par des ouvertures au niveau de la soupape du cylindre et au niveau du plancher. L'efficacité de(s) l'ouverture(s) à fin de ventiler devra être déterminée avec le ou les cylindres d'alimentation en Gaz Propane sur place. Ceci sera accompagné par un des articles suivants.

- a. Un côté du recouvrement sera complètement ouvert; ou
  - b. Pour un recouvrement avec quatre côtés, un couvercle et un dessous :
    1. Au moins deux ouvertures de ventilation au niveau de la soupape du cylindre devront être offertes sur le recouvrement latéral, de même taille, espacé à 3,14 rad (180 degrés) et sans obstruction. Chaque ouverture possèdera une zone libre d'au moins de 2,3 cm<sup>2</sup>/kg (1/2 po<sup>2</sup>/lb) en capacité du réservoir carburant et non moins qu'une aire de 64,5 cm<sup>2</sup> (10 po<sup>2</sup> libres).
    2. Des ouvertures de ventilation devront être fournies au niveau du plancher et possèderont une zone libre supérieure à 2,3 cm<sup>2</sup>/kg (1/2 po<sup>2</sup>/lb) en capacité du réservoir carburant et non moins qu'une aire de 64,5 cm<sup>2</sup> libres (10 po<sup>2</sup>). Si les ouvertures de ventilation sont dans un mur latéral, il y aura au moins deux ouvertures. Le dessous des ouvertures sera au niveau du plancher et au coin supérieur non plus de 127 mm (5 po) au-dessus du plancher. Les ouvertures seront de même taille, espacées à 3,14 rad (180 degrés) et sans obstructions.
    3. Chaque ouverture aura des dimensions minimum pour permettre l'entrée d'une barre de 3,2 mm (1/8 po) de diamètre.
    4. Il doit avoir un espacement de 51 mm (2 po) minimum entre la surface inférieure du plancher du recouvrement du cylindre d'alimentation de Gaz Propane et du sol.
- Les soupapes du cylindre devront être facilement accessibles pour l'opération à main. Une porte à l'ouverture placée pour accéder aux soupapes des cylindres est acceptable, à condition qu'elle ne se verrouille pas et puisse être ouverte sans avoir besoin d'outils.
  - Le design du foyer doit être de façon à ce que (1) le(s) cylindre(s) d'alimentation en Gaz Propane puissent être connectés, déconnectés et que les raccords puissent être inspectés et testés à l'extérieur du recouvrement du cylindre; et (2) ces raccords qui pourraient être perturbés lors de l'installation des cylindres dans le recouvrement peuvent être testés pour les fuites à l'intérieur du recouvrement ;
  - Les ouvertures de ventilation dans les parois ne doivent pas communiquer directement avec d'autres recouvrements du foyer.

Le recouvrement du cylindre Gaz Propane doit isoler le cylindre du compartiment du brûleur pour fournir :

- a. Une protection contre la radiation thermique;
- b. Une barrière contre les flammes; et
- c. Une protection contre les matériaux étrangers.

**Veillez à monter le cylindre de Gaz Propane sur une surface plane et de le retenir à l'aide de la ferrure de retenue de cylindre afin de l'empêcher de basculer.**



Taille du cylindre	Ouverture «A»	Ouverture «A»	Dimension recommandée C
9,1 kg (20 lb)	130 cm <sup>2</sup> (20 po <sup>2</sup> )	65 cm <sup>2</sup> (10 po <sup>2</sup> )	863 mm (34 po)
13,6 kg (30 lb)	195 cm <sup>2</sup> (30 po <sup>2</sup> )	100 cm <sup>2</sup> (15 po <sup>2</sup> )	863 mm (34 po)

**Remarque :** Il doit avoir un espacement de 51 mm (2 po) minimum entre la surface inférieure du plancher du recouvrement du cylindre d'alimentation de Gaz Propane et du sol.

**Figure 20**



# ENCADREMENT ET INSTALLATION DE FOYER

## Finitions

1. Une fois le raccordement du gaz et de l'électricité, baisser et fixer le brûleur (laisser deux supports au bas du foyer pour usage futur) avec les deux vis retirées à l'étape 7 sur la page 15.
2. Installer le panneau vitré (deux utilisés pour le foyer à deux faces). **Voir figure 21.**

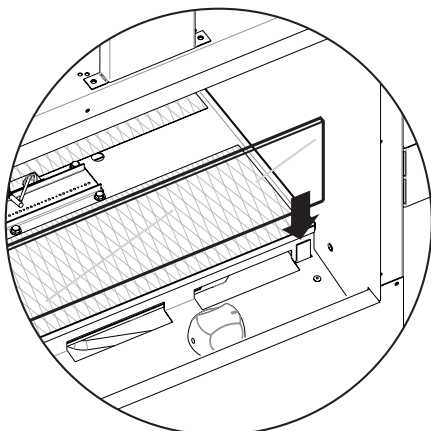


Figure 21

3. Réinstaller les boulons de pivot et les rondelles déposés à l'étape 7 sur la page 15 et reposer la porte de contrôle et l'axe d'articulation central.
4. Dévisser le bouton d'allumage et installer la pile AA fournie dans l'enveloppe d'instruction avant de fermer la porte de contrôle. **Voir figure 22.**

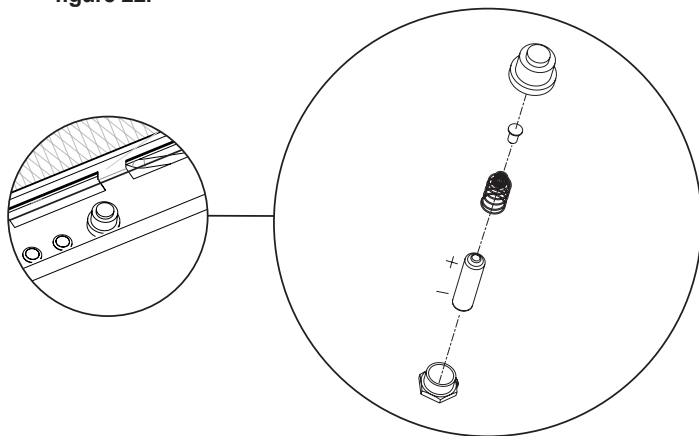


Figure 22

### Ossature et finition

Le foyer est installé avec des panneaux autour de l'ouverture comme installation Clean Face. **Voir la figure 23.** Le dessus et les côtés doivent être en panneau non combustible (fourni) où indiqué passant sur la façade du foyer. Hors de cette zone, tout panneau mural résistant aux intempéries peut être utilisé.

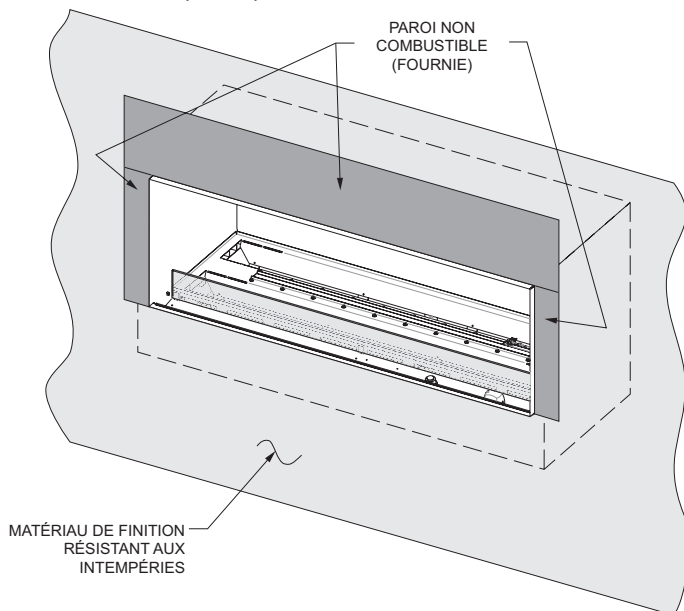


Figure 23

# ENCADREMENT ET INSTALLATION DE FOYER

## Finitions

Pour terminer l'installation, placer les panneaux non combustibles au-dessus de l'ouverture du foyer. Centrer les panneaux sur le foyer et fixer avec des vis dans l'ossature. Lorsque les panneaux non combustibles sont en place, percer des trous d'un diamètre de 3 mm (1/8 po) dans les panneaux non combustibles et les entretoises de montage sur le dessus avant de visser les vis dans les entretoises.

### ⚠ ATTENTION

Pour éviter des dommages aux composants, ne pas installer les vis en dedans de quatre pouces sous l'ouverture du foyer. Voir figure 4.

### ⚠ ATTENTION

Pour permettre à l'entretoise du foyer de flotter indépendamment du caisson du foyer, ne pas installer les vis en dedans de quatre pouces au-dessus de l'ouverture du foyer. **Voir figure 24.** Si l'entretoise ne flotte pas indépendamment du caisson du foyer, la surface de mut fini pourrait craquer.

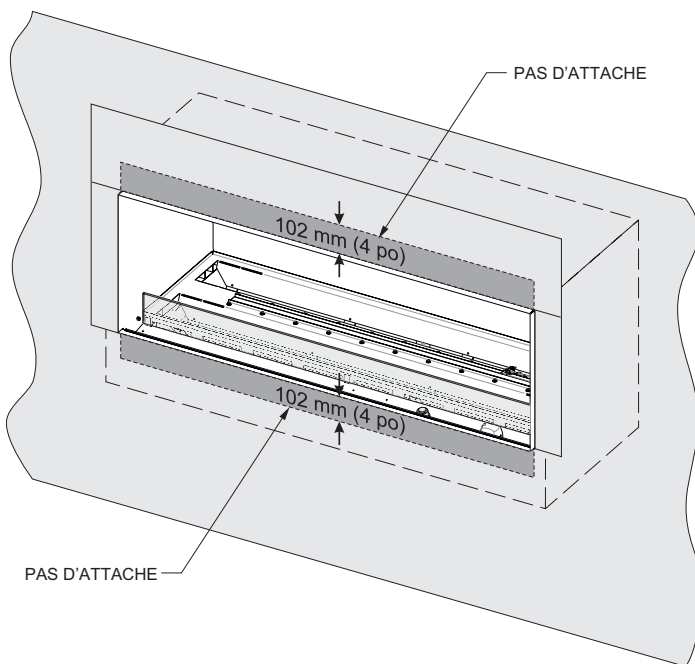


Figure 24

Placer les panneaux non combustibles sur les côtés de l'ouverture du foyer. Fixer avec des vis dans l'ossature et percer des trous de 3 mm (1/8 po) diamètre dans la façade du foyer. Terminer le mur restant avec un panneau mural résistant aux intempéries.

**Remarque :** Les zones où l'acier a été formé (coins, bords rabattus, etc..) pourraient demander un nettoyage supplémentaire en raison des caractéristiques du film. S'assurer que tout le film protecteur est retiré du foyer avant d'allumer.

### **Avis pour matériaux de finition**

Le mur au-dessus du foyer deviendra chaud. Installer le panneau non-combustible fourni avec le foyer avant d'ajouter la peinture, la tuile ou la pierre. Attacher la tuile ou autres produits non-combustibles à la façade du foyer et la zone non-combustible (figures 23 and 24) en utilisant des adhésifs conçus pour des applications à température élevée (minimum 149°C [300°F]) Suivre les instructions du fabricant pour l'application et les temps de durcissement. La chaleur du foyer peut causer des défaillances aux matériaux incorrectement installés. Si de la peinture est appliquée au-dessus du foyer, utiliser un produit conçu pour des environnements à température élevée et suivre les instructions du fabricant pour la préparation de la surface, l'application et le durcissement. La chaleur du foyer peut causer des défaillances ou une décoloration aux produits incorrectement appliqués.

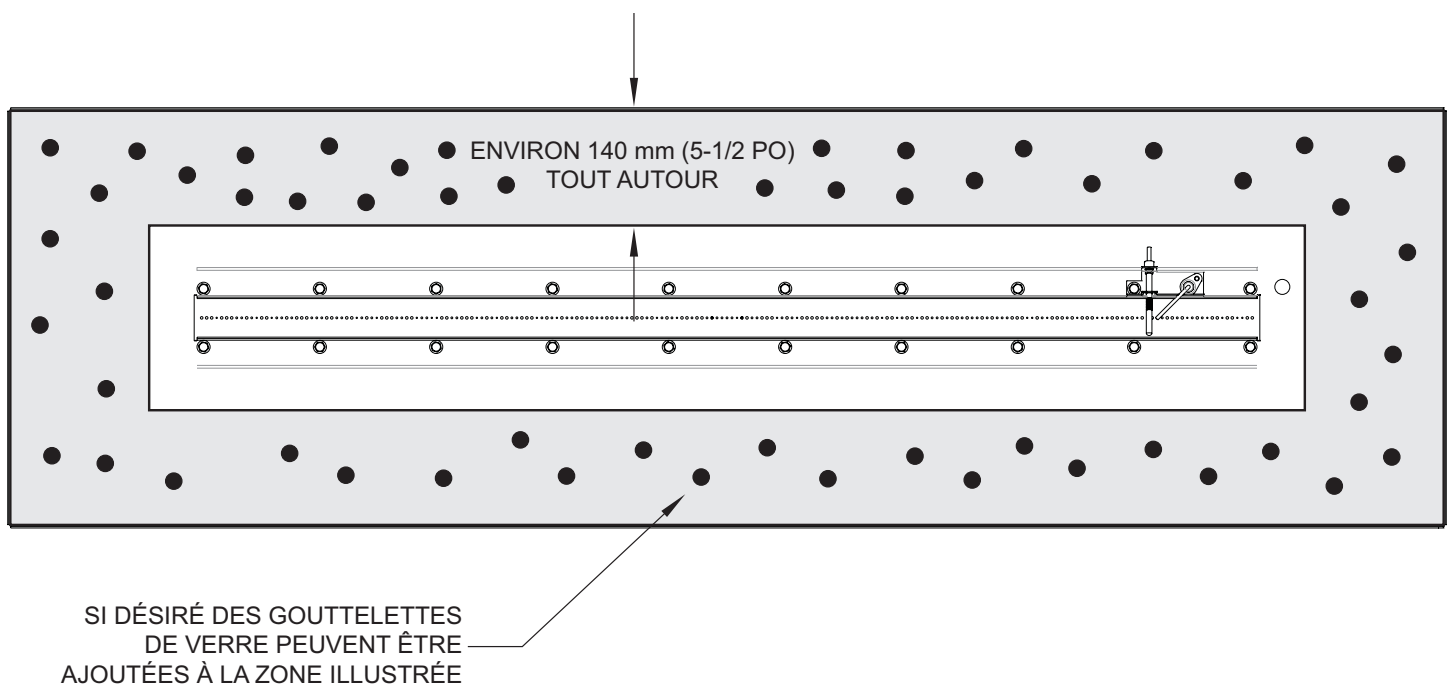
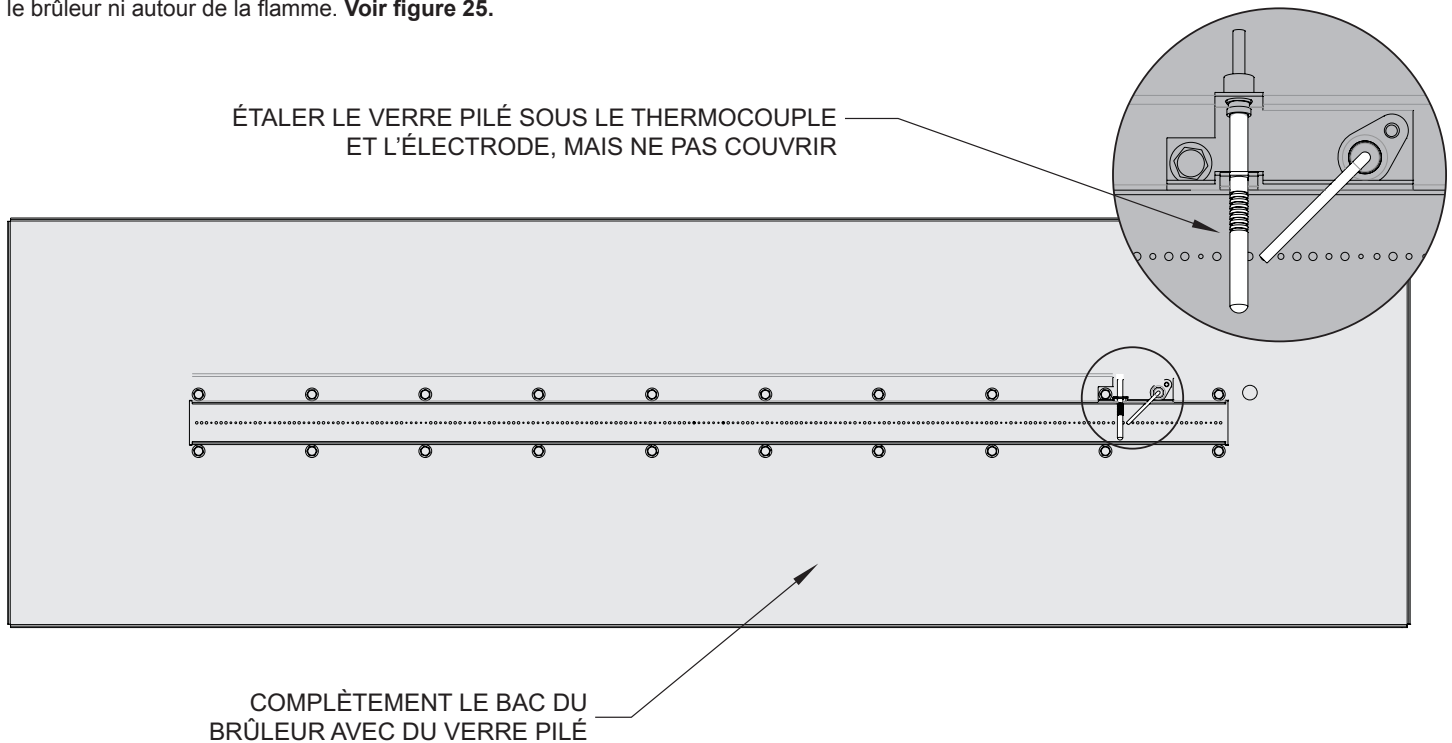
# ENCADREMENT ET INSTALLATION DE FOYER

## Finitions

### Installation du verre pilé

S'assurer que les grilles sur le brûleur sont bien installées, qu'elles couvrent entièrement les ouvertures DEL. Placer le verre pilé décoratif uniformément sur le couvercle du brûleur, la grille et le brûleur (suffisamment de matériel pour couvrir environ 0,9 m<sup>2</sup> [10 pi<sup>2</sup>]). S'assurer que la couverture est uniforme et pas plus épais dans certains endroits. Certains morceaux de verre brisé peuvent être plus grands que d'autres. Ces morceaux peuvent être utilisés, mais pas sur le brûleur ni autour de la flamme. **Voir figure 25.**

On peut ajouter des gouttelettes de verre décoratif pour enjoliver, mais elles ne doivent pas être ajoutées près ni sur le brûleur. **Voir la figure 26.** Ni le verre ni les gouttelettes ne doivent être placés sur la sonde d'étincelle.



# INSTRUCTIONS D'ALLUMAGE

## POUR VOTRE SÉCURITÉ, LISEZ AVANT D'ALLUMER

### ⚠ AVERTISSEMENT

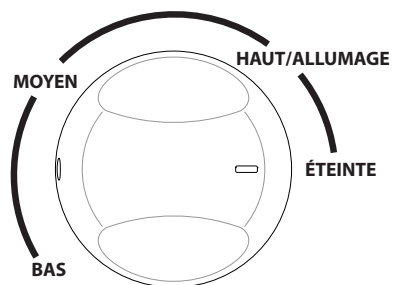
Respecter pas à la lettre les instructions dans le présent manuel pour écarter les risques d'incendie ou d'explosion entraînant des dommages matériels, des lésions corporelles ou la perte de vies humaines.

- A. **AVANT D'ALLUMER**, renifler autour de l'appareil pour déceler toute odeur de gaz. Renifler près du plancher, car certains gaz sont plus lourds que l'air et peuvent s'accumuler au niveau du sol.
- QUE FAIRE SI VOUS SENTEZ UNE ODEUR DE GAZ**
- Ne pas allumer aucun appareil.
  - Ne toucher aucun interrupteur électrique.
  - Ne pas utiliser de téléphone dans le bâtiment.
  - Téléphoner immédiatement au fournisseur de gaz depuis une maison voisine. Suivre les instructions du fournisseur de gaz. Si le fournisseur de gaz ne répond pas, appeler les pompiers.
- B. Enfoncer ou tourner le bouton de commande de gaz à la main seulement. Ne jamais utiliser d'outil. Si le bouton ne s'enfonce ou ne tourne pas à la main, ne pas tenter de le réparer; appeler un technicien d'entretien qualifié. L'utilisation de force ou les tentatives de réparation peuvent entraîner un incendie ou une explosion.
- C. **NE PAS** utiliser l'appareil si une quelconque partie a été immergée dans l'eau. Appeler immédiatement un technicien d'entretien qualifié pour contrôler l'appareil et remplacer toute pièce du système de commande et toute commande de gaz ayant été immergées.

## INSTRUCTIONS D'ALLUMAGE

Ce foyer est destiné à une utilisation extérieure seulement. Veuillez lire toutes les directives avant de l'allumer. Toute housse contre les intempéries doit être retirée avant de l'utiliser. Retirer tout débris, dont les feuilles et les insectes, autour du brûleur et du lit de verre pilé.

1. Avant d'ouvrir l'alimentation de gaz principale, appuyer sur le bouton d'allumage. Vérifier que l'allumeur fait des étincelles au-dessus du brûleur entre l'électrode et le thermocouple.
2. Ouvrir l'alimentation de gaz principale au foyer.
3. Avec le bouton de contrôle du gaz en position fermée, appuyer et tenir l'allumeur. Appuyer légèrement et tourner le bouton de gaz jusqu'à la position HAUT/ALLUMAGE. Appuyer et tenir le bouton de contrôle de gaz. Si le brûleur n'a pas réussi à allumer dans les 5 secondes, fermer le bouton de contrôle de gaz. Attendre 5 minutes que le gaz se dissipe avant de rallumer.
4. Une fois que le brûleur est allumé, relâcher le bouton d'allumage, mais continuer à appuyer sur le bouton de contrôle du gaz pendant 30 secondes. (Ceci permet au thermocouple [détecteur de flamme] de se réchauffer, confirmant que le foyer fonctionne.) Si la flamme s'éteint, éteindre le bouton, attendre 5 minutes, répéter la séquence d'allumage en commençant avec l'étape 3.



Bouton de contrôle de gaz sur position éteinte

## COUPER L'ARRIVÉE DE GAZ VERS L'APPAREIL

1. Ouvrir la porte de contrôle.
2. Enfoncer légèrement le bouton de commande de gaz et le tourner dans le sens des aiguilles d'une montre jusqu'à «ÉTEINTE». Ne pas forcer.
3. Couper toute l'alimentation électrique à l'appareil si un service de réparation doit être effectué.
4. Fermer la porte de contrôle.

# CARACTÉRISTIQUES DE LA FLAMME DU BRÛLEUR PRINCIPAL

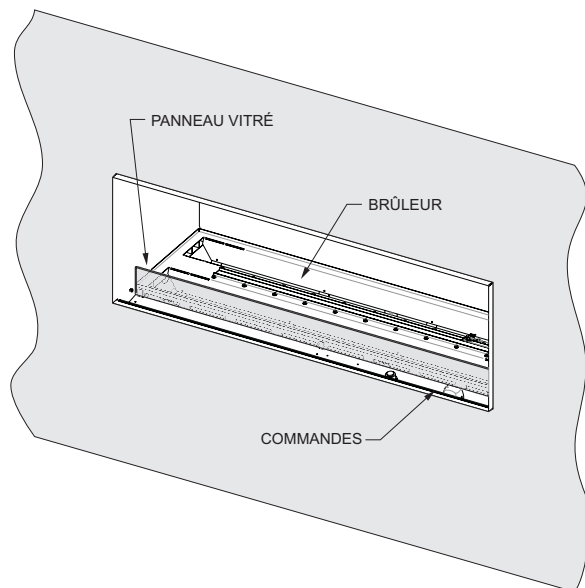


Figure 27

## **⚠ AVERTISSEMENT**

Ne JAMAIS faire fonctionner le foyer lorsque la porte contre les intempéries en option est en place.

Lors d'une opération normale à plein régime, après 10 à 15 minutes, l'apparence de la flamme devrait devenir des ensembles de flammes jaunes.

**REMARQUE :** Toutes les flammes seront aléatoires par design, la hauteur de la flamme montera et descendra.

Lors de la fabrication, usinage et expédition, certaines pièces du foyer sont traitées avec certaines huiles, certains films ou produits adhésifs. Ces produits chimiques ne sont pas nocifs, mais peuvent causer une fumée et des odeurs déplaisantes lorsqu'ils sont brûlés lors de l'opération initiale du foyer. Ceci est normal.

L'opération de rodage devrait prendre environ 2 à 3 heures avec le brûleur au réglage le plus élevé. Toute odeur restante après ce rodage initial disparaîtra après une utilisation continue.

Les flammes du brûleur principal doivent être éteintes avant d'installer la porte contre les intempéries.

Si l'apparence de la flamme du brûleur est incorrecte.

- Voir Dépannage, page 28.

### **Apparence de la flamme**

La flamme du brûleur principal sera plutôt jaune.

### **Allumage et extinction de la flamme**

Lorsque le brûleur principal est allumé, il faut jusqu'à une minute pour que le motif de flamme se développe.

Lorsque le brûleur principal est éteint, il faut jusqu'à une minute pour que le motif de flamme disparaisse. Il est normal d'avoir des flammes qui brûlent près du brûleur, lorsque le restant de gaz est brûlé.

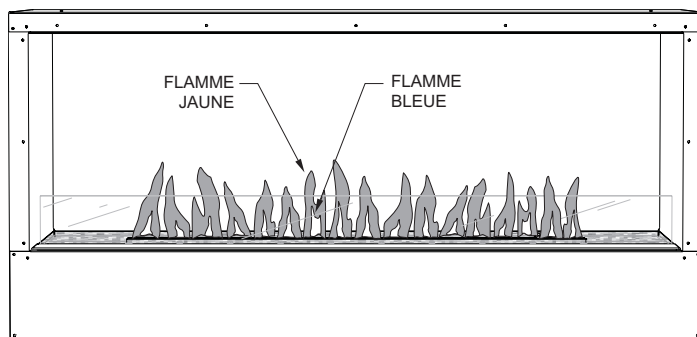


Figure 28 – Flamme correcte de gaz propane

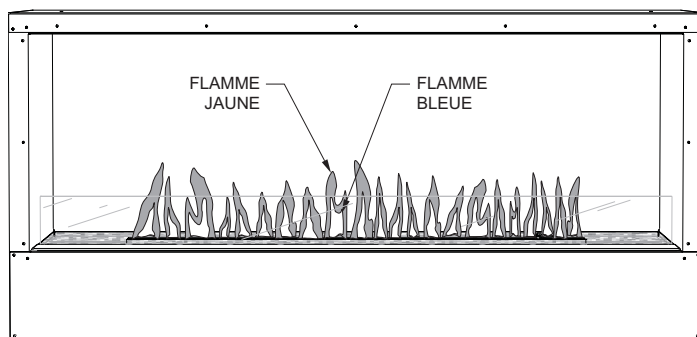


Figure 29 – Bonne apparence de la flamme naturelle

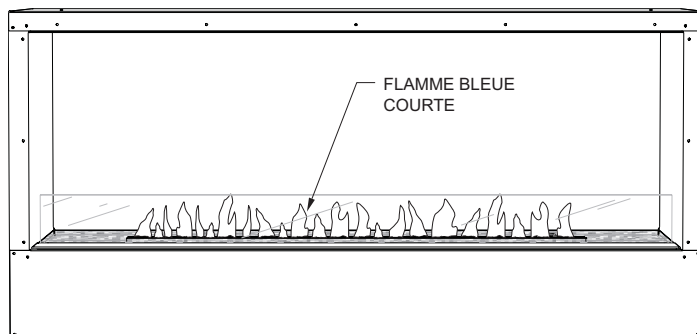


Figure 30 – Mauvaise flamme bleue courte

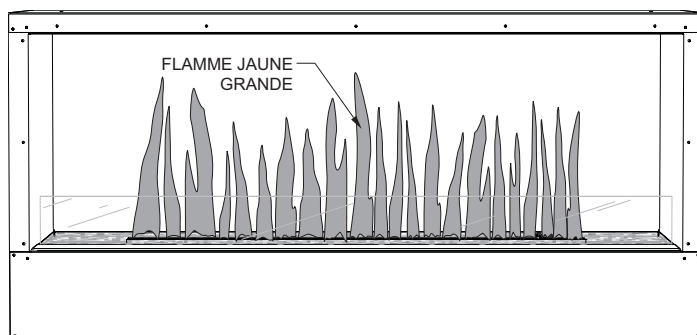


Figure 31 – Mauvaise flamme jaune grande

# INSTRUCTIONS D'OPÉRATION / APPARENCE DE LA FLAMME

## Bouton de luminosité DEL

Appuyer sur le bouton de luminosité pour activer les témoins DEL et pour tourner l'intensité DEL de haute à basse à éteinte.

- 1 – Allumée – Forte
- 2 – Moyenne
- 3 – Basse
- 4 – Éteinte

Utiliser le bouton de luminosité en conjonction avec le bouton de mode pour créer une apparence unique.

Les témoins s'ouvriront selon le dernier mode enregistré. (Après une panne d'électricité, il faut réinitialiser les témoins au mode désiré.)

Éteindre les témoins DEL qui ne sont pas utilisés.

## Bouton de mode DEL

Appuyer sur le bouton de mode pour ajuster le système d'éclairage des DEL pour passer de couleur automatique à couleurs individuelles.

- 1 – Cycle Auto – Rapide
- 2 – Cycle Auto – Graduel
- 3 – Cycle auto - Pause
- 4 – Bleu foncé
- 5 – Violet royal
- 6 – Rouge cardinal
- 7 – Vert océan
- 8 – Vert forêt
- 9 – Bleu tranquille
- 10 – Blanc

Si les DEL sont éteintes à l'aide du bouton gauche, la couleur ou le cycle choisis continueront lorsque les DEL sont rallumées.

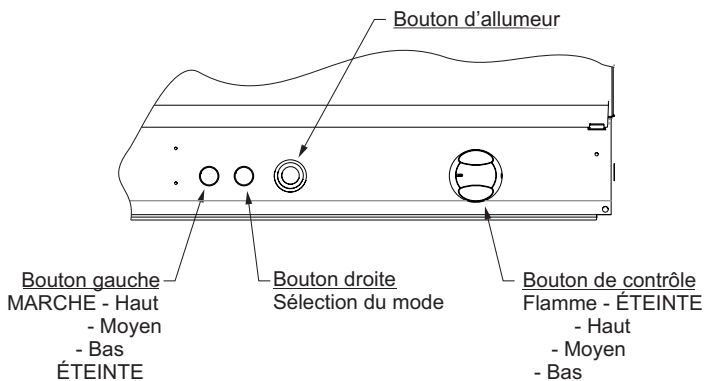
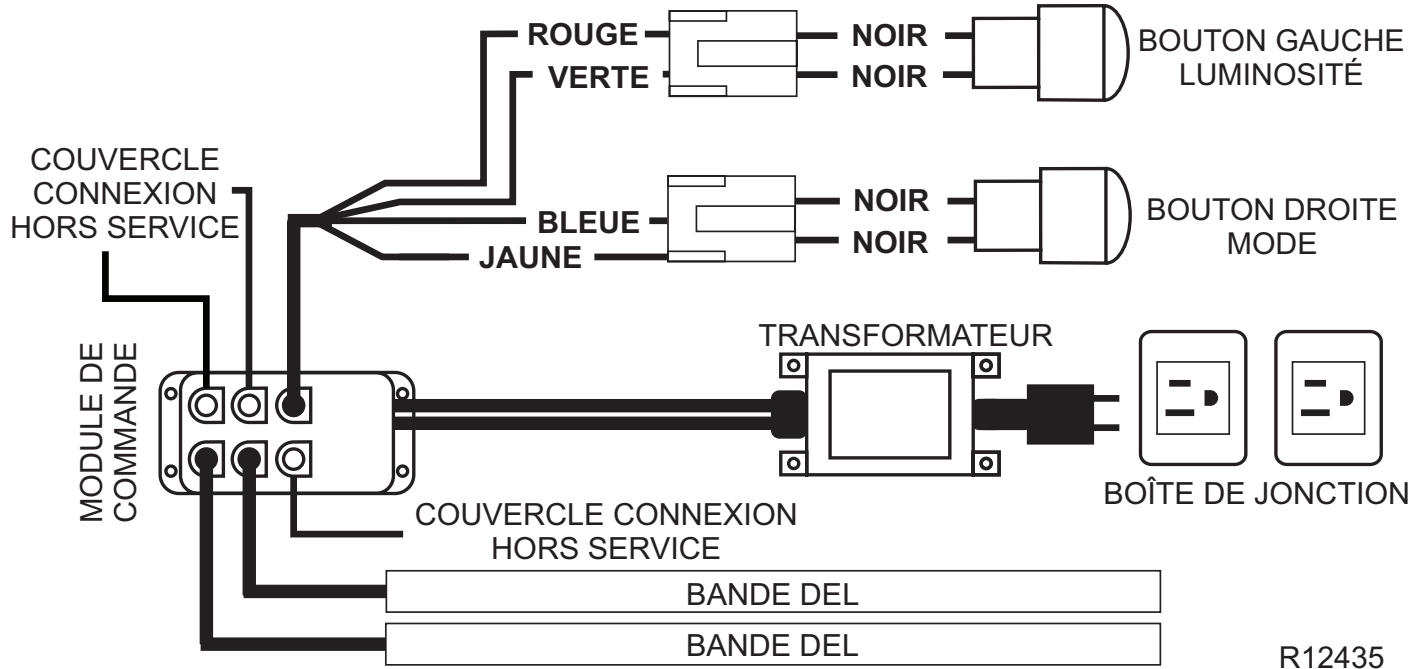


Figure 32 - Contrôles

# CÂBLAGE

Étiqueter tous les fils avant de les débrancher. Les erreurs de câblage peuvent se solder en un mauvais fonctionnement dangereux. Vérifier le bon fonctionnement après toute opération d'entretien.



R12435

Figure 33 – Câblage du système DEL

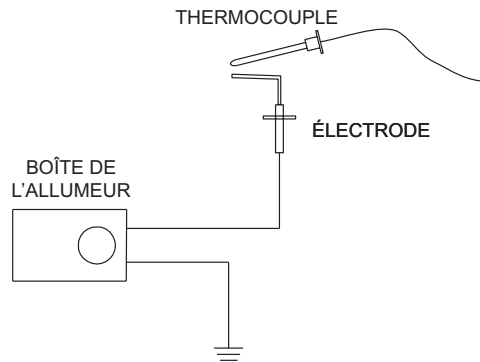


Figure 34 – Câblage du système allumeur électronique

# ENTRETIEN

Garder le compartiment de commande et la zone autour du brûleur propre.

Toujours maintenir le voisinage du foyer dégagé et exempt de matières combustibles, essence et autres vapeurs et liquides inflammables.

Ne jamais obstruer le flux de combustion et la ventilation. Veuillez garder la face du foyer sans obstacles et matériaux.

S'il faut faire l'entretien du brûleur, laisser le foyer refroidir puis enlever le verre pilé et le grillage du panneau vitré avant de commencer. Il est recommandé d'utiliser un aspirateur propre pour enlever le verre pilé. Conserver et réutiliser le verre après l'entretien.

## Instructions de nettoyage

Ce foyer est fabriqué en grande partie à l'aide d'un acier inoxydable haute teneur pour résister à la rouille. Dans les applications extérieures, l'acier inoxydable formera une patine terne et, selon l'environnement local et des matériaux utilisés à l'installation, de l'oxydation (rouille) pourrait se former sur la surface. Ceci n'affecte pas la performance du foyer, et ne demande aucune action pour corriger. Si vous préférez garder la face intérieure de votre foyer d'allure neuf, nettoyez avec un nettoyeur à acier inoxydable, non abrasif, au besoin.

Lorsque l'installation implique l'utilisation d'acides comme le mortier, ou la pierre, nous recommandons de nettoyer immédiatement le foyer avec un nettoyeur à acier inoxydable non abrasif.



## AVERTISSEMENT

**Ne pas utiliser de nettoyeur abrasif ou d'ammoniac sur la vitre.  
Ne pas tenter de nettoyer la vitre alors qu'elle est chaude.**

## NETTOYAGE PÉRIODIQUE – Veuillez vous référer au diagramme de pièces pour l'emplacement des articles discutés ci-dessous.

- Ne pas utiliser de nettoyeur liquide pour nettoyer n'importe quelle pièce du foyer.
- Avec le temps, le verre pilé peut se briser en petits morceaux qui pourraient boucher les ports du brûleur principal. Retirer les fines particules de verre dans les ports du brûleur. Remplacer par du verre pilé neuf.

## NETTOYAGE / INSPECTION ANNUELLE – Veuillez vous référer au diagramme de pièces pour l'emplacement des articles discutés ci-dessous.

- Inspectez et nettoyez l'entrée d'air du brûleur. Retirez la poussière ou les particules avec une brosse ou un aspirateur. Manquer de garder les entrées d'air propre peut causer de la suie et une mauvaise combustion.
- Inspectez et nettoyez tous les ports de brûleur. Brossez le verre pilé hors du brûleur et soufflez les ports avec une cannette d'air.
- Inspecter le brûleur et le thermocouple, nettoyer avec un essuie-tout mouillé.
- Vérifier le bon fonctionnement du motif de la flamme.
- Vérifier que l'allumage du brûleur principal est régulier et réceptif.
- Les araignées et autres petits insectes peuvent construire des toiles ou des nids à l'intérieur ou sur le brûleur, bouchant la circulation d'air. Un incendie ou un retour de flamme peut se produire dans ou autour d'une obstruction et causer une condition dangereuse causant un dommage au foyer. Pour réduire le risque, inspecter au moins deux fois par mois le brûleur lorsque les araignées sont actives et éliminer tout nid ou toute toile. Si le foyer n'a pas été utilisé pendant une longue durée, bien inspecter le brûleur et le foyer avant de l'utiliser.



# DÉPANNAGE

## SYMPTÔMES - CAUSES POSSIBLES ET CORRECTION

Éteindre le foyer et le laisser refroidir avant d'entretenir. Une fois que la personne de service qualifiée devrait servir et réparer le foyer.

1. **Le foyer produit des odeurs indésirables.**
  - a. Le foyer brûle des vapeurs de peinture, aérosols, colles, etc. Ventiler la zone. Cesser d'utiliser des produits causant des odeurs lorsque le chauffage est en marche.
  - b. Fuite de gaz. Situer et corriger toutes les fuites.
2. **Le foyer s'éteint lors de l'utilisation. (Le brûleur est éteint.)**
  - a. Pression de tuyauterie faible. Contacter le fournisseur de gaz local.
  - b. Le capteur de flamme est défectueux. Remplacer le thermocouple.
  - c. Les vents forts éteignent la flamme du détecteur pendant une longue durée. Rallumer le brûleur. Si cela se produit souvent, l'utilisation d'un verre déflecteur plus haut peut aider. Voir les Accessoires à la page 5.
3. **Si la sonde à étincelles ne produit pas de déclic lorsque l'allumeur est enfoncé**
  - a. Remplacer la pile.
  - b. Nettoyer le verre pilé autour de la sonde à étincelles.
  - c. Problème de câblage. Fixer ou remplacer le câble de l'étincelle.
  - d. Sonde à étincelles brisée. Remplacer la sonde à étincelles.
  - e. Allumeur défectueux. Remplacer l'allumeur.
4. **Odeur gaz même lorsque la roulette de commande est en position OFF.**
  - a. Fuite de gaz. Situer et corriger toutes les fuites.
  - b. Défaillance de la valve de contrôle. Remplacer la valve de contrôle.
5. **Le brûleur n'allume pas.**
  - a. Ne pas tenir le bouton de contrôle assez longtemps.
  - b. Nettoyer et/ou remplacer le thermocouple.
6. **Le brûleur ne reste pas allumé.**
  - a. L'orifice du brûleur est bouché. Nettoyer le brûleur ou remplacez l'orifice du brûleur principal.
  - b. La pression de gaz d'entrée est trop faible. Contacter une personne de service qualifiée.
7. **Si un brûlage a lieu au niveau de l'orifice du brûleur principal (un bruit de torche, fort et rugissant).**
  - a. Éteindre le foyer et appeler une personne de service qualifiée.
  - b. La pression du distributeur est trop faible. Contacter la société de gaz locale.
  - c. L'orifice du brûleur est bouché. Nettoyer le brûleur ou remplacer l'orifice du brûleur.
8. **Le foyer produit un son de sifflement lorsque le brûleur principal est allumé.**
  - a. Tourner la roulette de commande à la position ÉLEVÉE lorsque le brûleur principal est froid. Tourner la roulette de commande à la position BASSE et le laisser se réchauffer une minute.
  - b. Air dans le conduit de gaz. Utiliser le brûleur jusqu'à ce que l'air soit évacué de la tuyauterie. Faites vérifier la tuyauterie de gaz par la société de gaz locale.
  - c. Orifice du brûleur sale ou partiellement bouché. Nettoyer le brûleur ou remplacer l'orifice du brûleur.
9. **Le foyer produit de la suie ou des retours de flamme.**
  - a. Qualité du gaz médiocre. Contacter immédiatement le fournisseur de gaz local.
10. **La pression du gaz au foyer est faible.**
  - a. Contacter immédiatement le fournisseur de gaz local.

# LISTE DES DISTRIBUTEURS DE PIÈCES PRINCIPAUX

Pour commander des pièces sous garantie, adressez-vous au revendeur Empire local. Veuillez voir le concessionnaire au [www.empirecomfort.com](http://www.empirecomfort.com). Pour assurer un service sous garantie, le revendeur doit connaître votre nom, votre adresse, la date d'achat et le numéro de série du produit, ainsi que la nature du problème.

Pour commander des pièces après expiration de la période de garantie, veuillez communiquer avec votre revendeur ou avec l'un des distributeurs de pièces principaux indiqués ci-dessous. Cette liste est complétée de temps à autre. Pour consulter la liste courante, cliquez sur le bouton Master Parts à [www.empirecomfort.com](http://www.empirecomfort.com).

Remarque : Les distributeurs de pièces principaux sont des sociétés indépendantes qui stockent les pièces de rechange d'origine les plus couramment commandées pour les radiateurs, barbecues et foyers fabriqués par Empire Comfort Systems Inc.

## Dey Distributing

1401 Willow Lake Boulevard  
Vadnais Heights, MN 55101

Téléphone : 651-490-9191

Sans frais : 800-397-1339

Site Web : [www.deydistributing.com](http://www.deydistributing.com)

Pièces : Radiateurs, âtres et barbecues

## F. W. Webb Company

200 Locust Street  
Hartford, CT 06114

Téléphone : 860-722-2433

Sans frais : 800-243-9360

Télécopieur : 860-293-0479

Télec. sans frais : 800-274-2004

Sites Web : [www.fwwebb.com](http://www.fwwebb.com) et [www.victormfg.com](http://www.victormfg.com)

Pièces : Radiateurs, âtres et barbecues

## East Coast Energy Products

10 East Route 36  
West Long Branch, NJ 07764

Téléphone : 732-870-8809

Sans frais : 800-755-8809

Télécopieur : 732-870-8811

Site Web : [www.eastcoastenergy.com](http://www.eastcoastenergy.com)

Pièces : Radiateurs, âtres et barbecues

# COMMENT COMMANDER DES PIÈCES DE RECHANGE

## Pièces hors garantie

Les pièces peuvent être commandées auprès d'un réparateur, d'un revendeur ou d'un distributeur de pièce. Voir la liste des distributeurs de pièces principaux plus haut sur cette page. Pour obtenir de meilleurs résultats, il est conseillé au **réparateur ou revendeur** de commander les pièces auprès du distributeur. Les pièces peuvent être expédiées directement au **réparateur ou revendeur**.

## Pièces sous garantie

Les pièces sous garantie nécessitent un justificatif d'achat et peuvent être commandées auprès du réparateur ou du revendeur. La preuve d'achat est **requis** pour les pièces sous garantie.

Toutes les pièces figurant dans la Nomenclature des pièces comportent une Référence. Lors de la commande de pièces, voir d'abord le Numéro de modèle sur la plaque signalétique de l'appareil. Déterminer ensuite le numéro de pièce (**pas** le numéro de Repère) et la Description de chaque pièce à l'aide de l'illustration suivante et de la liste. Veiller à bien fournir tous ces renseignements. . .

Numéro de modèle de l'appareil \_\_\_\_\_ Description de la pièce \_\_\_\_\_

Numéro de série de l'appareil \_\_\_\_\_ Numéro de pièce \_\_\_\_\_

Type de gaz (propane ou gaz naturel) \_\_\_\_\_

Ne pas commander de boulons, vis, rondelles ou écrous. Ce sont des articles de visserie standard pouvant être achetés dans toute quincaillerie ou tout magasin de bricolage.

Envois sous réserve de grèves, incendie et autres causes indépendantes de notre volonté.

# OLL60FP LISTE DES PIÈCES

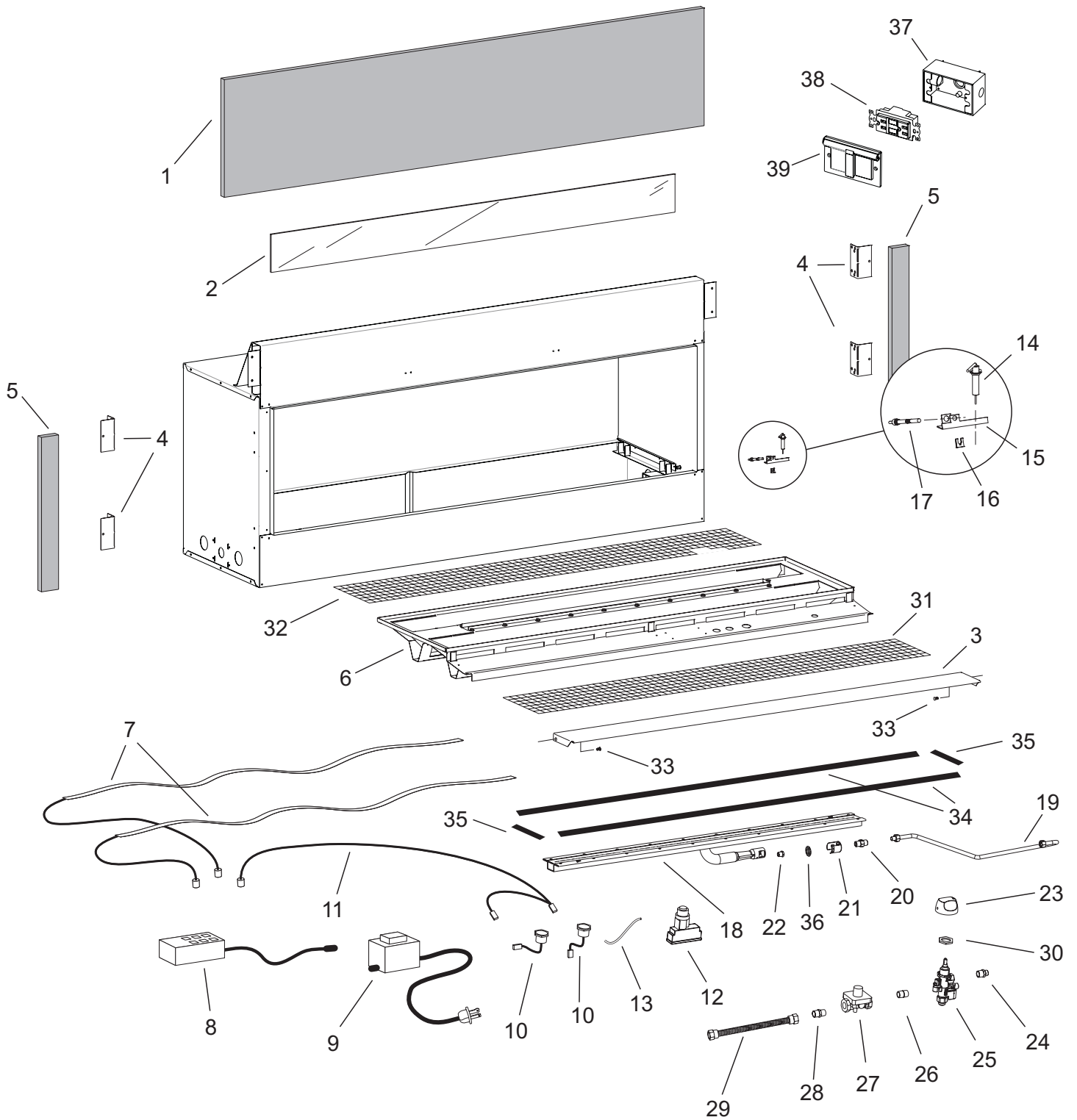
UTILISEZ EXCLUSIVEMENT DES PIÈCES DE RECHANGE D'ORIGINE. L'UTILISATION DE TOUTES AUTRES PIÈCES POURRAIT CAUSER DES BLESSURES OU LA MORT.

REPÈRE	RÉF. PIÈCE	DESCRIPTION	QTÉ REQ	
			Naturel	Propane
1	35831	PANNEAU NON COMBUSTIBLE, DESSUS	1	1
2	R11981	VERRE	1	1
3	35007	PORTE DE CONTRÔLE	1	1
4	34182	BRIDE DE CLOUAGE	4	4
5	33641	PANNEAU NON COMBUSTIBLE, CÔTÉ	2	2
6	35595	ENSEMBLE PLAQUE DE BRÛLEUR	1	1
7	R11986	BANDE DEL D'ÉCLAIRAGE	2	2
8	R12693	MODULE DE COMMANDE DEL	1	1
9	R11920	TRANSFORMATEUR DEL	1	1
10	R11921	BOUTON INTERRUPTEUR	2	2
11	R11924	FAISCEAU DE CÂBLES INTERRUPTEURS	1	1
12	B072218	ALLUMEUR ÉLECTRONIQUE	1	1
13	R11932	FIL DE MISE À LA TERRE	1	1
14	R11923	ALLUMEUR	1	1
15	33256	FERRURE THERMOCOUPLE	1	1
16	B101961	PINCE - ÉLECTRODE	1	1
17	R685	THERMOCOUPLE 22 PO	1	1
18	35600	ENSEMBLE BRÛLEUR SOUDÉ	1	1
19	33258	ENSEMBLE DE TUBULURE	1	1
20	P271	RACCORD ORIFICE	1	1
21	R10808	OBTURATEUR D'AIR INOXYDABLE	1	1

REPÈRE	RÉF. PIÈCE	DESCRIPTION	QTÉ REQ	
			Naturel	Propane
22	P279	ORIFICE N° 14	1	0
22	P256	ORIFICE N° 41	0	1
23	B101848	BOUTON DE COMMANDE GAZ	1	1
24	R7195	CONNECTEUR MÂLE LAITON	1	1
25	R11916	VALVE MANUELLE PROPANE	0	1
25	R11829	VALVE MANUELLE NATUREL	1	0
26	R8898	MAMELON 3/8 X 3/8 X 1 FER NOIR	1	0
27	R7160	RÉGULATEUR 4,5 PO CE NATUREL	1	0
28	R12078	RACCORD LAITON 1/2 CONIQUE X 3/8 MIP	1	1
29	R12077	CONDUITE FLEXIBLE	1	1
30	R1652	ÉCROUS (VALVE)	1	1
31	R11982	TÉMOINS GRILLE COUVERTURE	1	1
32	35604	TÉMOINS GRILLE COUVERTURE SANS DÉCOUPE	1	1
33	R11843	VIS PORTE DE CONTRÔLE	3	3
34	35832	JOINT	2	2
35	33957	JOINT	2	2
36	R11891	MOUSTIQUAIRE VENTURI	1	1
37	R11942	BOÎTE DE JONCTION	1	1
38	R3492	PRISE	1	1
39	R11943	COUVERCLE, BOÎTE DE JONCTION	1	1
N/A	34330	SUPPORT DE BRÛLEUR	2	2
N/A	R11944	RACCORD DE CONDUIT	1	1
N/A	R11387	VIS PANNEAU DE CONTRÔLE	2	2
N/A	34179	JEU DE QUINCAILLERIE	1	1
N/A	R11955	MODULE DEL FICHE (INCLUS AVEC N° 8)	3	3

N/A - NON AFFICHÉ

# OLL60FP VUE DES PIÈCES



# OLL60SP LISTE DES PIÈCES

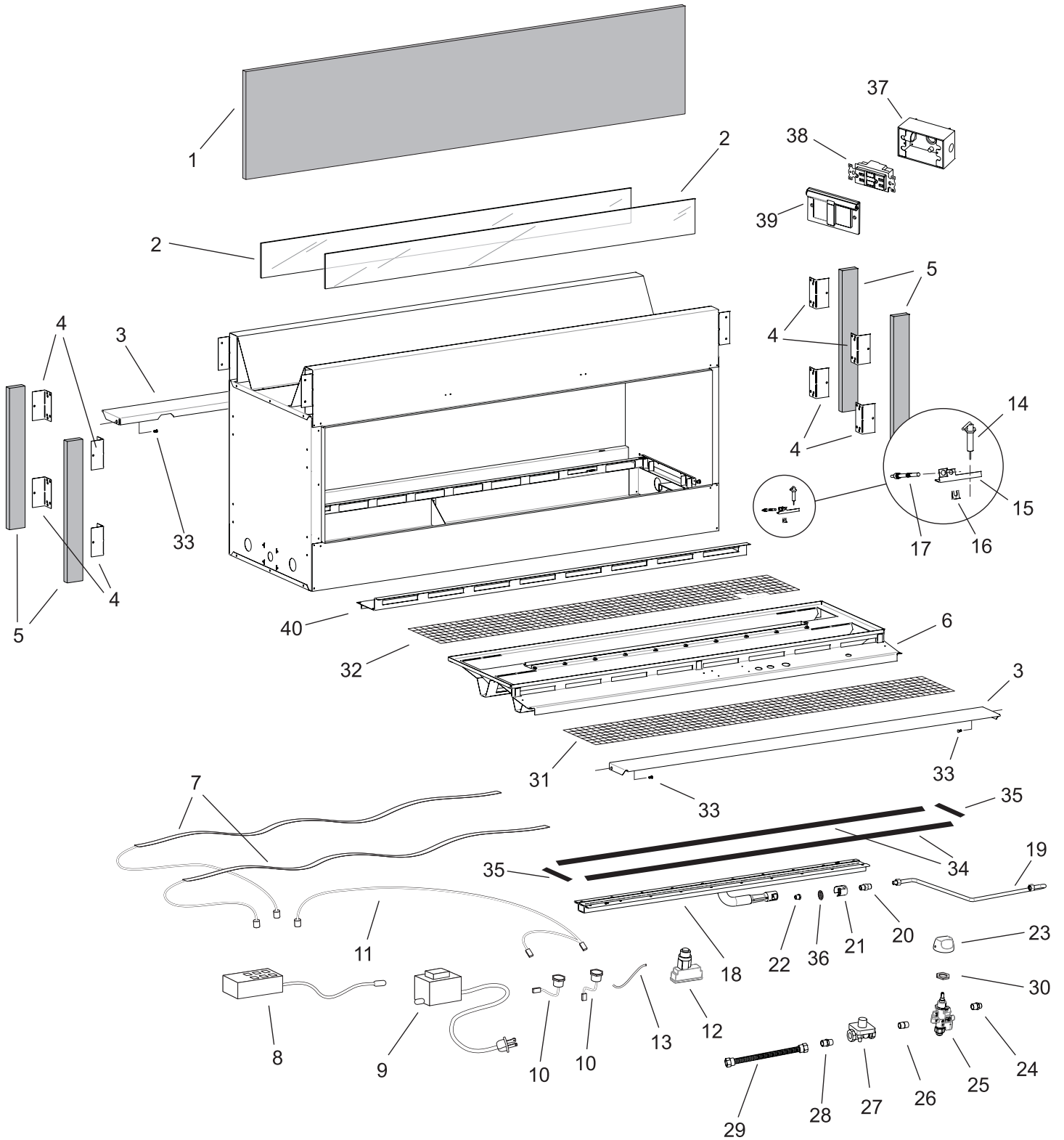
UTILISEZ EXCLUSIVEMENT DES PIÈCES DE RECHANGE D'ORIGINE. L'UTILISATION DE TOUTES AUTRES PIÈCES POURRAIT CAUSER DES BLESSURES OU LA MORT.

REPÈRE	RÉF. PIÈCE	DESCRIPTION	QTÉ REQ	
			Naturel	Propane
1	35831	PANNEAU NON COMBUSTIBLE, DESSUS	2	2
2	R11981	VERRE	2	2
3	35007	PORTE DE CONTRÔLE	2	2
4	34182	BRIDE DE CLOUAGE	8	8
5	33641	PANNEAU NON COMBUSTIBLE, CÔTÉ	4	4
6	35610	ENSEMBLE PLAQUE DE BRÛLEUR	1	1
7	R11986	BANDE DEL D'ÉCLAIRAGE	2	2
8	R12693	MODULE DE COMMANDE DEL	1	1
9	R11920	TRANSFORMATEUR DEL	1	1
10	R11921	BOUTON INTERRUPTEUR	2	2
11	R11924	FAISCEAU DE CÂBLES INTERRUPTEURS	1	1
12	B072218	ALLUMEUR ÉLECTRONIQUE	1	1
13	R11932	FIL DE MISE À LA TERRE	1	1
14	R11923	ALLUMEUR	1	1
15	33256	FERRURE THERMOCOUPLE	1	1
16	B101961	PINCE - ÉLECTRODE	1	1
17	R685	THERMOCOUPLE 22 PO	1	1
18	35600	ENSEMBLE BRÛLEUR SOUDÉ	1	1
19	33258	ENSEMBLE DE TUBULURE	1	1
20	P271	RACCORD ORIFICE	1	1
21	R10808	OBTURATEUR D'AIR INOXYDABLE	1	1

REPÈRE	RÉF. PIÈCE	DESCRIPTION	QTÉ REQ	
			Naturel	Propane
22	P279	ORIFICE N° 14	1	0
22	P256	ORIFICE N° 41	0	1
23	B101848	BOUTON DE COMMANDE GAZ	1	1
24	R7195	CONNECTEUR MÂLE LAITON	1	1
25	R11916	VALVE MANUELLE PROPANE	0	1
25	R11829	VALVE MANUELLE NATUREL	1	0
26	R8898	MAMELON 3/8 X 3/8 X 1 FER NOIR	1	0
27	R7160	RÉGULATEUR 4,5 PO CE NATUREL	1	0
28	R12078	RACCORD LAITON 1/2 CONIQUE X 3/8 MIP	1	1
29	R12077	CONDUITE FLEXIBLE	1	1
30	R1652	ÉCROUS (VALVE)	1	1
31	R11802	TÉMOINS GRILLE COUVERTURE	1	1
32	34225	TÉMOIN GRILLE COUVERTURE SANS DÉCOUPE	1	1
33	R11843	VIS PORTE DE CONTRÔLE	6	6
34	33956	JOINT	2	2
35	33957	JOINT	2	2
36	R11891	MOUSTIQUAIRE VENTURI	1	1
37	R11942	COUVERCLE, BOÎTE DE JONCTION	1	1
38	R3492	RÉCEPTACLE	1	1
39	R11943	COUVERCLE, BOÎTE DE JONCTION	1	1
40	35611	PANNEAU, DEUX FACES	1	1
N/A	34330	SUPPORT DE BRÛLEUR	2	2
N/A	R11944	RACCORD DE CONDUIT	1	1
N/A	R11387	VIS PANNEAU DE CONTRÔLE	2	2
N/A	34179	JEU DE QUINCAILLERIE	1	1
N/A	R11955	MODULE DEL FICHE (INCLUS AVEC N° 8)	3	3

N/A - NON AFFICHÉ

# OLL60SP VUE DES PIÈCES



# CONDITIONS DE LA GARANTIE

Empire Comfort Systems Inc. garantit que ce produit à foyer est exempt de défauts au moment de l'achat et pendant les périodes indiquées ci-dessous. Les produits à foyer doivent être installés par un technicien qualifié et doivent être entretenus et utilisés de façon sécuritaire, en conformité avec les instructions du mode d'emploi. Cette garantie est accordée à l'acheteur initial seulement et n'est pas transférable. Toutes les réparations sous garantie doivent être exécutées par un technicien d'appareil au gaz qualifié.

## **Garantie limitée de cinq ans sur les pièces - Tous les composants**

### **(À l'exception des télécommandes, thermostats, accessoires et pièces de rechange)**

En cas de défaillance d'une pièce en raison de défauts de matériel ou de main-d'œuvre dans les trois (3) ans à compter de la date d'achat, Empire s'engage à la réparer ou à la remplacer, au choix d'Empire.

## **Garantie limitée d'un an sur les pièces - Télécommandes, thermostats, accessoires et pièces**

En cas de défaillance d'une télécommande, d'un thermostat, d'un accessoire ou d'une pièce en raison de défauts de main-d'œuvre dans un délai d'un an à compter de la date d'achat, Empire s'engage à réparer ou à remplacer, au choix d'Empire.

## **Obligations du propriétaire**

L'appareil doit être installé par un installateur qualifié et utilisé en conformité avec les instructions fournies avec l'appareil. Conserver une facture, un chèque oblitéré ou un justificatif de paiement pour attester de la date d'achat et établir la période de garantie. Un accès immédiat à l'appareil pour le service.

## **Ce qui n'est pas couvert**

Domages résultant de l'utilisation, d'une utilisation abusive ou d'une mauvaise installation de l'appareil.  
Les frais de déplacement, de diagnostic et de transport sur les pièces sous garantie vers et depuis de l'usine.  
Les réclamations qui n'impliquent pas des défauts de pièces ou de main-d'œuvre.  
Service ou remplacements de pièces non autorisés.  
Frais de désinstallation et de réinstallation.  
Inopérable en raison d'un manque ou d'un mauvais entretien.

## **Comment recourir à la garantie**

Pour soumettre une réclamation en garantie, veiller à avoir le reçu à disposition et communiquer avec le revendeur installateur. Indiquer au revendeur le numéro de modèle, le numéro de série, le type de gaz et le justificatif d'achat. Le revendeur installateur a pour responsabilité d'assurer la réparation et s'adressera à l'usine pour mettre en œuvre tout remplacement de pièces sous garantie. Empire met les pièces de rechange à disposition à l'usine. Les frais de port ne sont pas couverts. Si, après s'être adressé au revendeur Empire, le service reçu n'est pas satisfaisant, communiquer avec : Consumer Relations Department, Empire Comfort Systems Inc., P.O. Box 529, Belleville, Illinois 62222 (États-Unis) ou envoyer un courriel à [info@empirecomfort.com](mailto:info@empirecomfort.com) en indiquant «Consumer Relations» dans le champ de sujet.

## **Vos droits en vertu de la loi provinciale**

Cette garantie vous accorde des droits juridiques particuliers, toutefois vous pouvez avoir d'autres droits, qui varient d'une province à l'autre.



SINCE 1932

[www.empirecomfort.com](http://www.empirecomfort.com)

**Empire Comfort Systems Inc.**  
**Belleville, Illinois**

Pour toute question générale concernant nos produits, veuillez nous envoyer un courriel à [info@empirecomfort.com](mailto:info@empirecomfort.com).

Pour toute question d'entretien ou de réparation, veuillez contacter votre revendeur.