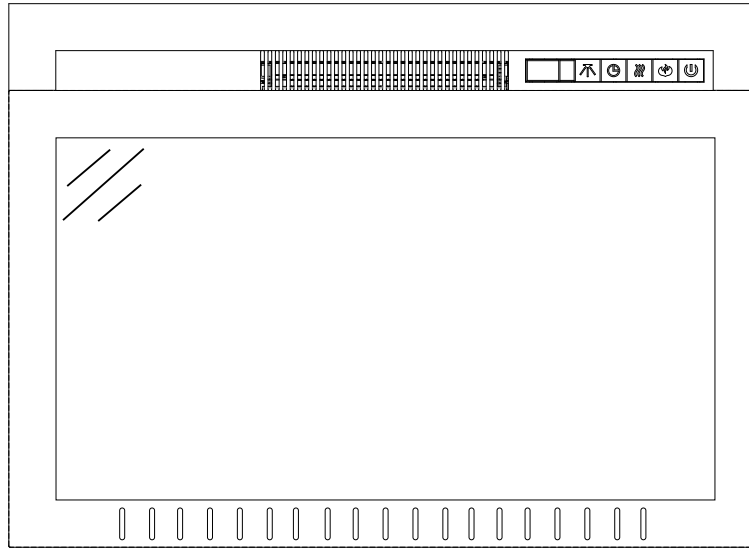




INSTALLATION AND OPERATION MANUAL

Cinema™ Insert Series
NEFB24H Illustrated



SAFETY INFORMATION

⚠ WARNING

FIRE OR EXPLOSION HAZARD
 If the information in these instructions are not followed exactly, a fire or explosion may result causing property damage, personal injury, or loss of life.

- Do not store or use gasoline or other flammable vapors and liquids in the vicinity of this or any other appliance.

INSTALLER:
 Leave this manual with the appliance

CONSUMER:
 Retain this manual for future reference



This appliance has a remote that requires button batteries that are hazardous to young children.

FOR INDOOR USE ONLY
CERTIFIED TO THE CANADIAN AND AMERICAN NATIONAL STANDARDS:
CSA 22.2 NO. 46 / UL 2021



Wolf Steel Ltd., 24 Napoleon Rd., Barrie, ON, L4M 0G8 Canada / 103 Miller Drive, Crittenden, Kentucky, USA, 41030
 Phone 1 (866) 820-8686 • www.napoleon.com • hearth@napoleon.com

WARNING

- **If equipped with a heater, this appliance can be hot when operated and can cause severe burns if contacted.**
- Do not operate appliance before reading and understanding operating instructions. Failure to operate appliance according to operating instructions could cause fire or injury.
- Do not install damaged, incomplete or substitute components.
- Do not burn wood or other materials in this appliance.
- All electric appliances have hot and arcing or sparking parts inside. Do not use it in areas where a gas line, paint or flammable liquids are present.
- Any safety screen or guard removed for servicing must be replaced prior to operating the appliance.
- It is imperative that the control compartments, circulating blower and its passageway in the appliance are kept clean. The appliance should be inspected before use and at least annually by a qualified service person. More frequent cleaning may be required due to excessive lint from carpeting, bedding material, etc. The appliance area must be kept clear and free from combustible materials, gasoline and other flammable vapors and liquids.
- Under no circumstances should this appliance be modified.
- Do not use this appliance if any part has been under water. Immediately call a qualified service technician to inspect the appliance and to replace any part of the control system which has been under water.
- If equipped with a glass door, do not operate the appliance with the glass door removed, cracked or broken. Replacement of the glass should be done by a licensed or qualified service person. Do not strike or slam shut the appliance glass door.
- Keep the packaging material out of reach of children and dispose of the material in a safe manner. As with all plastic bags, these are not toys and should be kept away from children and infants.
- Servicing should be done only while the appliance is disconnected from the power supply circuit.
- Always unplug appliance when not in use.
- Do not operate this appliance with a damaged cord or plug after the appliance malfunctions, has been dropped or damaged in any manner. Return appliance to authorized service facility for examination, electrical or mechanical adjustment, or repair.
- Do not use outdoors.
- When installing this appliance in a room where water is present, the installation must comply with codes recognizing the increased hazard of electrical shock and electrocution.

note:

This appliance is NOT suitable for installation in a bathroom.

- Do not run cord under carpeting. Do not cover cord with throw rugs, runners, or the like. Arrange cord away from traffic area and where it will not be tripped over.
- Connect to properly grounded outlets only.
- Do not insert or allow foreign objects to enter any ventilation or exhaust opening as this may cause an electric shock or fire, or damage the appliance.
- It is normal for your electric appliance to produce noise, especially when installed in a quiet space such as a bedroom.

! WARNING

- To prevent a possible fire, do not block air intakes or exhaust in any manner. Do not use on soft surfaces, like a carpet, where openings may become blocked.
- Always plug appliances directly into a wall outlet/receptacle. Never use an extension cord or relocatable power tap (outlet/power strip).
- These appliances are tested and listed for use only with the optional accessories listed in these instructions. Use of optional accessories not specifically tested for this appliance could void the warranty and/or result in a safety hazard.

For appliances equipped with a heater:

- Risk of burns. Power to the appliance should be turned off and the appliance allowed to cool before servicing. To disconnect power to the appliance, turn controls to off, then remove plug from outlet.
- Young children should be carefully supervised when they are in the same room as the appliance. Toddlers, young children and others may be susceptible to accidental contact burns. A physical barrier is recommended if there are at risk individuals in the house. To restrict access to an appliance or stove, install an adjustable safety gate to keep toddlers, young children and other at risk individuals out of the room and away from hot surfaces.
- Clothing or other flammable material should not be placed on or near the appliance.
- Due to high temperatures, the appliance should be located out of traffic and away from furniture and draperies.
- Ensure you have incorporated adequate safety measure to protect infants/toddlers from touching hot surfaces.
- Even after the appliance is off, the glass and/or screen will remain hot for an extended period of time.
- Check with your local hearth specialty dealer for safety screens and hearth guards to protect children from hot surfaces. These screens and guards must be fastened to the floor.
- Ensure clearances to combustibles are maintained when building a mantel or shelves above the appliance. Elevated temperatures on the wall or in the air above the appliance can cause melting, discolouration or damage to decorations, a TV or other electronic components.

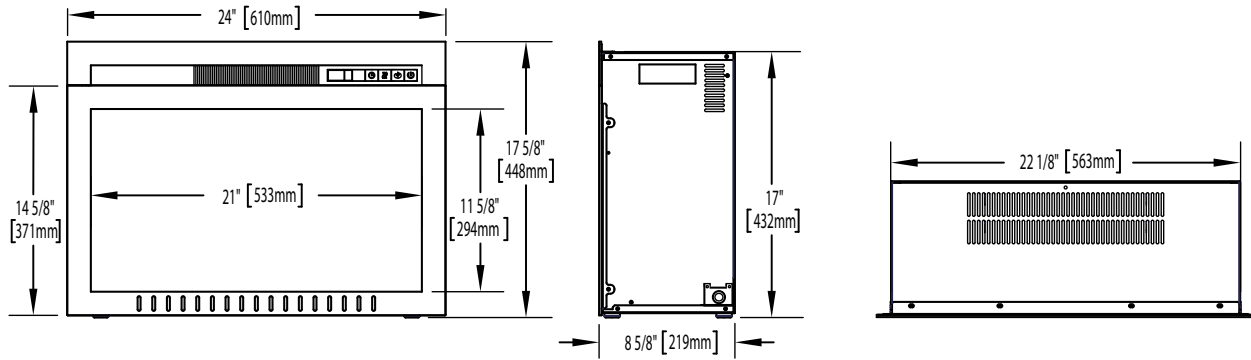
! WARNING: This product can expose you to chemicals including lead and lead compounds, which are known to the State of California to cause cancer, and chemicals including BBP and DEHP, which are known to the State of California to cause birth defects or other reproductive harm. For more information, go to www.P65Warnings.ca.gov.

1.0	general information	5
1.1	dimensions	5
1.2	listing approvals	6
1.3	general instructions	6
1.4	rating plate information	7
1.5	label location	7
2.0	locating appliance	8
2.1	unpacking and testing appliance	8
2.2	grounding the appliance	8
3.0	installation	9
3.1	minimum clearance to combustibles	9
3.2	minimum mantel clearances	9
3.3	framing	10
3.3.1	hard-wiring installation	11
3.3.2	appliance installation	12
4.0	operating instructions	13
4.1	operating control panel	13
4.2	operating by remote control	14
4.3	remote control battery installation	15
5.0	finishing	16
5.1	glass door removal and installation	16
5.2	log, grate, and ember bed assembly removal	16
5.3	brick panel installation and removal (NEFB29H only)	17
6.0	electrical information	18
6.1	wiring diagram	18
7.0	replacement parts	19
7.1	NEFB24H overview	20
7.2	NEFB27H overview	21
7.3	NEFB29H overview	22
8.0	troubleshooting	23
9.0	warranty	25

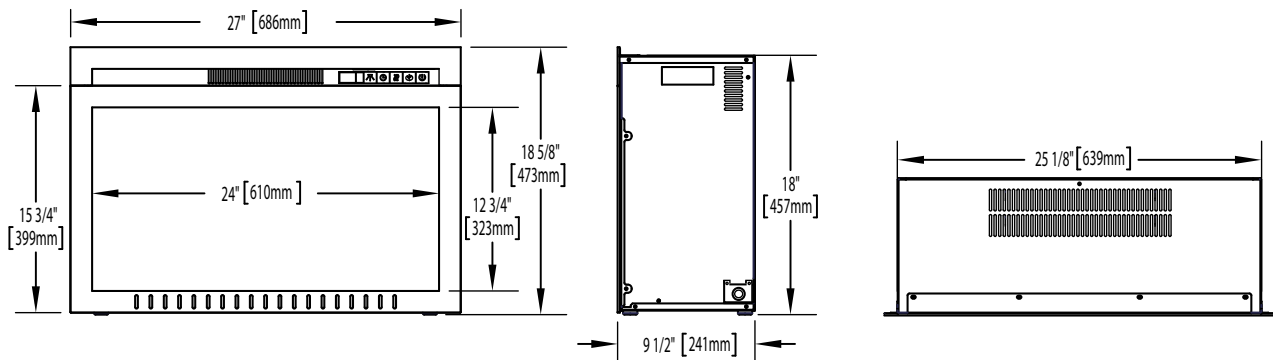
note:

The information throughout this manual is believed to be correct at the time of printing. Wolf Steel Ltd. reserves the right to change or modify any information within this manual at any time without notice. Changes, other than editorial, are denoted by a vertical line in the margin.

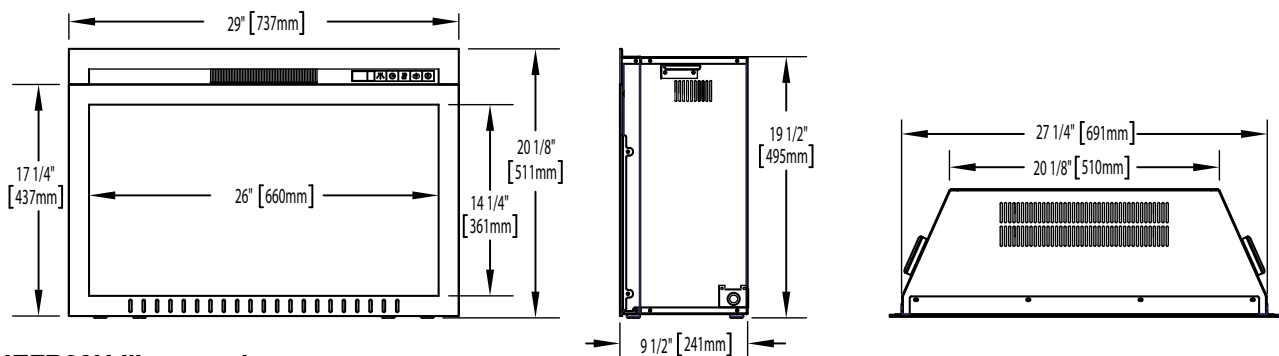
1.1 dimensions



NEFB24H Illustrated



NEFB27H Illustrated



NEFB29H Illustrated

general information

1.2 listing approvals

This appliance has been tested in accordance with the CSA Standards for fixed and location-dedicated electric room appliances in the United States and Canada. If you need assistance during installation, please contact your local dealer.

note:

This appliance must be electrically wired and grounded in accordance with local codes or, in the absence of local codes, with the latest edition of the National Electrical Code ANSI/NFPA 70 in the United States or the Canadian Electrical Code CSA C22.1 in Canada.

Model Number	NEFB24H	NEFB27H	NEFB29H
Description	24" Electric Appliance	27" Electric Appliance	29" Electric Appliance
Voltage	120V AC		
Watts	Max 1500W		
Amps	Dedicated 15 AMP Grounded Circuit		
Appliance Width	24" (610mm)	27" (686mm)	29" (737mm)
Appliance Height	17 5/8" (448mm)	18 5/8" (473mm)	20 1/8" (511mm)
Appliance Depth	8 5/8" (219mm)	9 1/2" (241mm)	9 1/2" (241mm)
Net Weight	29.1lbs (13.2kg)	33.6lbs (15.3kg)	33.7lbs (15.3kg)
Gross Weight (1A)	33.1lbs (15kg)	37lbs (17.1kg)	38.5lbs (17.5kg)
Gross Weight (3A)	35.1 lbs (16kg)	40.9lbs (18.6kg)	41.8lbs (19kg)

1.3 general instructions

- Prior to plugging your appliance into an electrical outlet, verify that the house circuit breakers for the outlet are on.
- The appliance may emit a slight, harmless odour when first used. This odour is normal and it is caused by the initial heating of internal appliance elements and will not occur again.
- If your appliance does not emit heat when called for, consult the "operation" section of this manual for further information.
- Use with a CSA or UL certified surge protector.
- Do not route the power cord directly underneath the appliance.

This electric appliance meets the construction and safety standards of H.U.D. for application in manufactured homes when installed according to these instructions.

As with most electronic devices, your new electric appliance has been designed to operate at temperatures between 5°C (41°F) and 35° C (95°F). During the colder winter months, allow the appliance to reach room temperature before turning it on.

1.4 rating plate information

CERTIFIED UNDER CANADIAN AND AMERICAN NATIONAL STANDARD: CSA 22.2 NO. 46 AND UL 2021 /
 HOMOLOGUÉ SELON LES NORMES NATIONALES CANADIENNES ET AMÉRICAINES: CSA 22.2 NO. 46 UL 2021

ELECTRIC FIREPLACE. SUITABLE FOR BEDROOM AND BED-SITTING ROOM INSTALLATION. SUITABLE FOR MOBILE HOME INSTALLATION.

FOYER À ÉLECTRIQUE. HOMOLOGUÉ POUR INSTALLATION DANS UNE CHAMBRE À COUCHER, UNE SALLE DE BAIN ET UN STUDIO. APPROPRIÉ POUR INSTALLATION DANS UNE MAISON MOBILE.

CSA® **US**

MASTER CONTRACT: 161746 **CONTRAT-CADRE: 161746**

MODEL / MODÈLE: NEFB24H

VOLTAGE: 120 VAC **TENSION:** 120VCA

FREQUENCY: 60Hz **FRÉQUENCE:** 60Hz

POWER: 1500W **PUISSANCE:** 1500W

DATE CODE: **CODE DE DATE:**

DESIGNED IN NORTH AMERICA DÉSIGNÉ AMÉRIQUE DU
 BY WOLF STEEL LTD. NORD PAR WOLF STEEL LTD.

MADE IN CHINA FABRIQUÉ EN CHINE

WOLF STEEL LTD.
 24 NAPOLEON ROAD,
 BARRIE, ON, L4M 0G8 CANADA

SERIAL NUMBER/NO. DE SERIE: **NEFB**

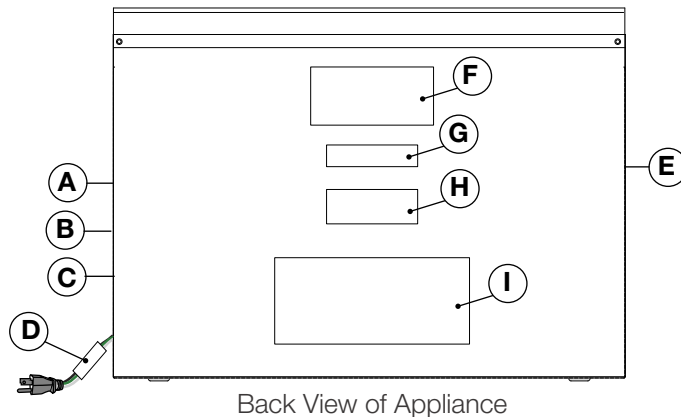
W385-2062 / A

For rating plate location, see “label location” section.

This illustration is for reference only. Refer to the rating plate on the appliance for accurate information.

note:
 The rating plate must remain with the appliance at all times. It must not be removed.

1.5 label location



Ref.	Part Number	Label Description
A	W385-2017 *	" Hot Surface"
B	W385-1946 *	"Do Not Cover"
C	W385-2133 *	"Attention"
D	W385-1943	"Warning"
E	W385-2003 **	Hard-Wiring
F	W385-2062	Rating Plate (NEFB24H)
	W385-2061	Rating Plate (NEFB27H)
	W385-2002	Rating Plate (NEFB29H)
G	W385-1944	"Warning"
H	W385-1945	"Caution"
I	W385-2009	Wiring Diagram

* Situated on the front of the appliance.

** Situated on the side of the appliance.

2.0 locating appliance

! WARNING

- Due to high temperatures, this electric appliance should be located out of traffic. Keep combustible materials such as furniture, pillows, bedding, papers, clothes, and curtains at least 36" (91.4cm) from the front of the appliance.
- Never locate this electric appliance where it may fall into a bathtub or other water container.
- Wear safety gloves and safety glasses for protection during installation and maintenance.
- To prevent contact with sagging or loose insulation, the electric appliance must not be installed against vapour barrier or exposed insulation. Localized overheating could occur and a fire could result.
- Do not expose the electric appliance to the elements (i.e. rain, snow, etc.).

2.1 unpacking and testing appliance

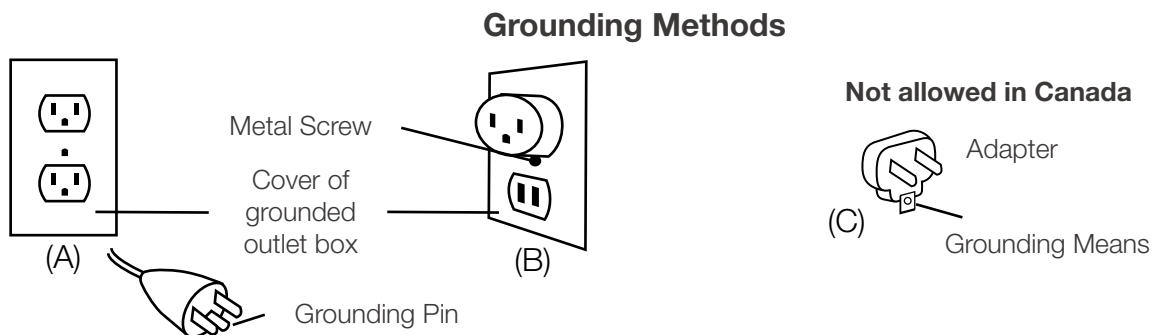
Carefully remove the appliance from the box and remove the support brackets. Prior to installing the appliance, remove all packaging material and test to make sure the appliance operates properly by plugging the power supply cord into a conveniently located 120V, 15 Amp minimum grounded outlet.

2.2 grounding the appliance

This appliance is for use on 120 volts. The cord has a plug as shown in (A). An adapter as shown in (C) is available for connecting three-blade safety grounding type plugs to two-slot receptacles, as shown in (B).

The green grounding plug extending from the adapter must be connected to a permanent ground such as a properly grounded outlet box. The adapter should not be used if a three-slot grounded receptacle is available.

To disconnect appliance, turn controls to off, then remove plug from outlet.



note:

Must be connected to a dedicated 15 amp circuit. The use of an extension cord is NOT permitted.

! WARNING

- Risk of fire! The power cord must not be pinched against a sharp edge. Secure cord to avoid tripping or snagging to reduce the risk of fire, electric shock, or personal injury. Do not run cord under carpeting. Do not cover cord with throw rugs, runners, or similar items. Arrange cord away from traffic areas and where it will not be tripped over.
- Risk of fire! To prevent a possible fire, do not block air intake or exhaust in any manner. Do not use on soft surfaces where openings may become blocked.
- Risk of fire! Do not blow or place insulation against the appliance.
- This electric appliance is tested and listed for use only with the approved optional accessories. Use of optional accessories not specifically tested for this electric appliance could void the warranty and/or result in a safety hazard.
- If the information in these instructions is not followed exactly, a fire or explosion may result causing property damage, personal injury, or death. Do not store or use gasoline or other flammable vapors in the vicinity of this or any other appliance.
- This appliance is heavy. It is highly recommended that two people install this appliance.
- If your appliance is equipped with a heater, ensure the heater vents cannot, in any way, be covered as it may create a fire hazard.
- Do not run the power cord horizontally, directly below the appliance.

Select a suitable location that is not susceptible to moisture and is away from drapes, furniture, and high traffic areas.

note:

Follow all national and local electrical codes.

3.1 minimum clearance to combustibles

Measurements are taken from the glass front.

Bottom	0"	Top	0" to 2" (51mm) mantel
Sides	1/4" (6mm)	Top	3" (76mm) to ceiling
Back	1/4" (6mm)	Top	1/4" (6mm) to enclosure

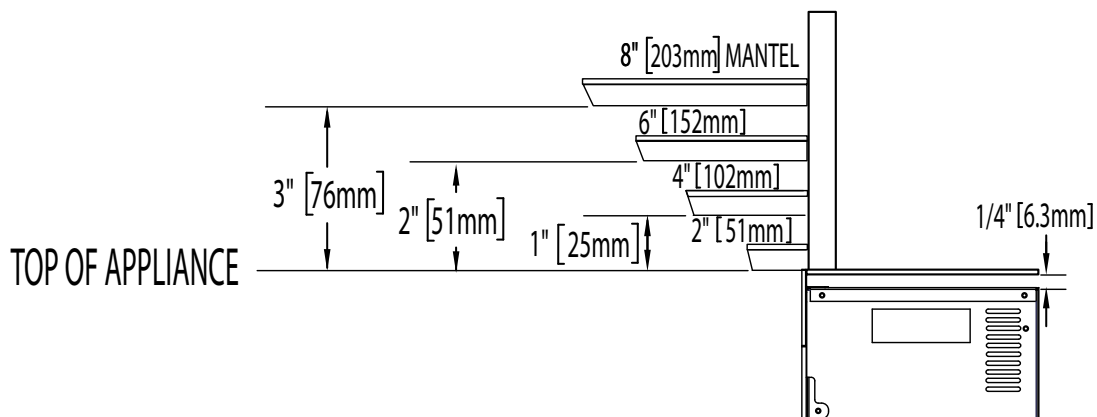
note:

The control panel switch is located on the upper right hand side of the appliance. Always ensure this switch remains accessible.

3.2 minimum mantel clearances

! WARNING

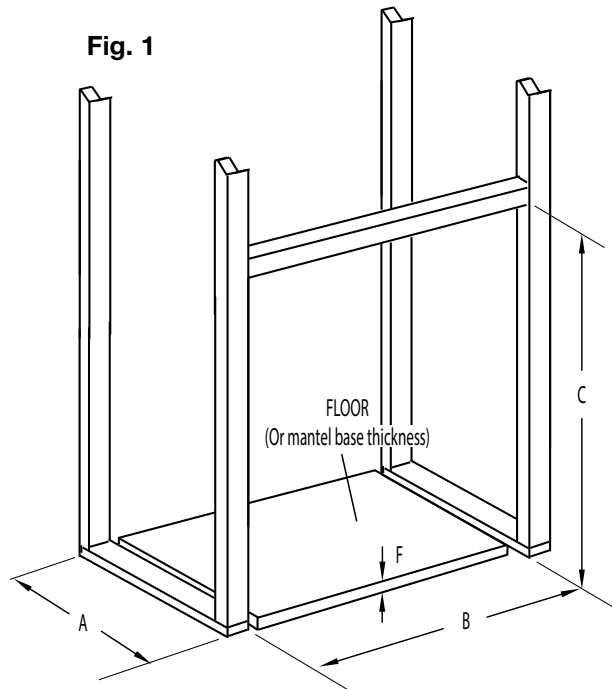
- When using paint or lacquer to finish the mantel, the paint or lacquer must be heat resistant to prevent discoloration.



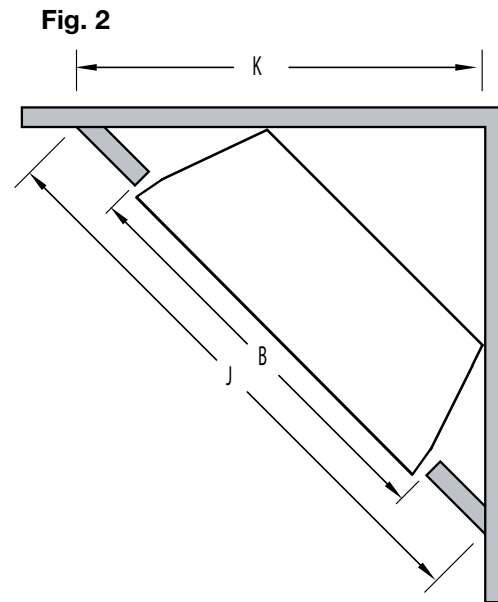
3.3 framing

Prepare rough in framing following the recommended dimensions in **Figure 1**. For the corner rough in framing, follow the recommended dimension in **Figure 2**.

Select a location that is not prone to moisture and is located at least 36" (91.4cm) away from combustible materials such as curtain drapes, furniture, bedding, paper etc.



Rough Framing



Rough Framing in a Corner

- A. Once the rough opening has been prepared, and the power has been routed to the right side of the recess, the appliance may be installed.
- B. The electrical connection must be made prior to placing the appliance into position (see "hard-wiring installation" section).

	NEFB24H	NEFB27H	NEFB29H
A	9" (229mm)	10" (254mm)	10" (254mm)
B	23" (58.4cm)	26" (66cm)	28" (71.1cm)
C	17 1/4" (43.8cm) + F	18 1/4" (46.3cm) + F	19 3/4" (50.2cm) + F
J	41" (104.1cm)	44" (111.8cm)	46" (116.8cm)
K	29" (73.6cm)	31 1/2" (80cm)	32 1/2" (82.6cm)

3.3.1 hard-wiring installation

⚠ WARNING

- Turn off the appliance completely and let cool before servicing. Only a qualified service person should service and repair this electric appliance.

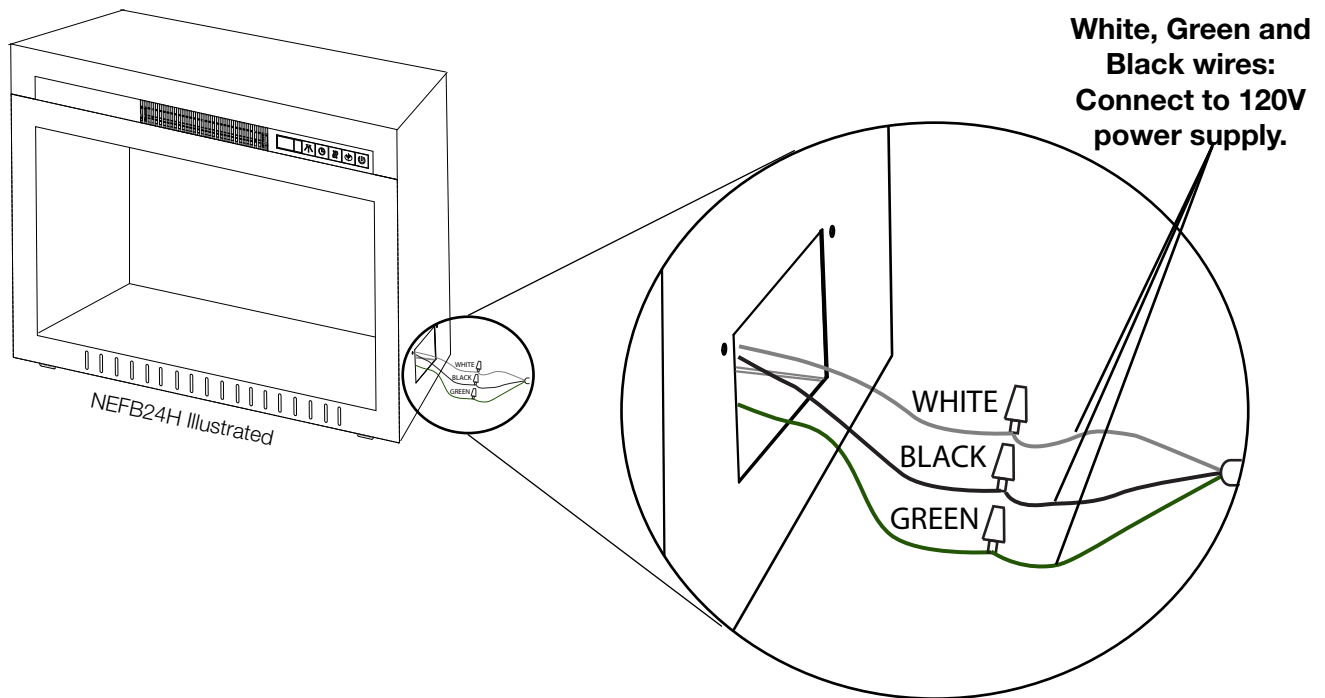
HARD-WIRING CONNECTION

If it is necessary to hard-wire this appliance, a qualified electrician must remove the cord connection and wire the appliance directly to the household wiring. The wire and power supply breaker must be rated for 120V minimum 15 Amps.

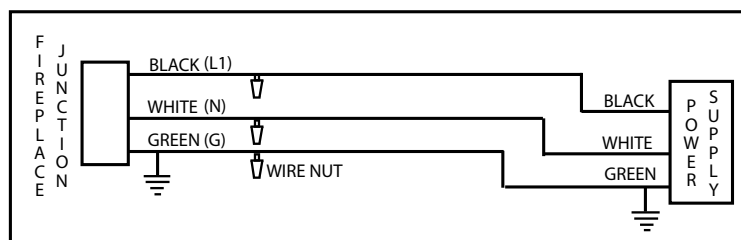
This appliance must be electrically connected and grounded in accordance with local codes, if hard-wired. In the absence of local codes, use the current CSA C22.1 CANADIAN ELECTRICAL CODE in Canada or the current ANSI/NFPA 70 NATIONAL ELECTRICAL CODE in the United States.

note:

There are 3 wires from the appliance junction: white (neutral), black (power L1), and green (ground) that connect to 120V power supply (breaker panel). See below for details.



- Remove the securing screw from the electrical cover plate, located on the right hand side of the appliance.
- Add an electrical box connector and feed the supply wires through the 7/8" (22mm) hole.
- Separate the black, white, and green wires that have the wire nuts on them.
- Remove the wire nuts and secure the black wire (power L1) to the black (power L1) lead of the power supply. Connect the white wire from the appliance to the white (neutral) wire from the power supply. Connect the green wire to the ground wire.
- Resecure the cover plate.



3.3.2 appliance installation

note:

This appliance is equipped with nylon pads located on the bottom four corners. To prevent damaging the base of the mantel, carefully lift the appliance into the mantel while avoiding contact from the front edge of the mantel base.

- A. With two people, lift the appliance up and insert into the opening, keeping a 3/8" (10mm) space between the appliance and floor base in order to not scratch the floor surface. Do not push or slide the bottom of the appliance on the floor base (**Fig. 1**).
- B. Set the appliance down and into place (**Fig. 2**).
- C. If the appliance does not sit flat on the floor or mantel base, apply a shim (not supplied) under the nylon pads and adjust until level.

Fig. 1

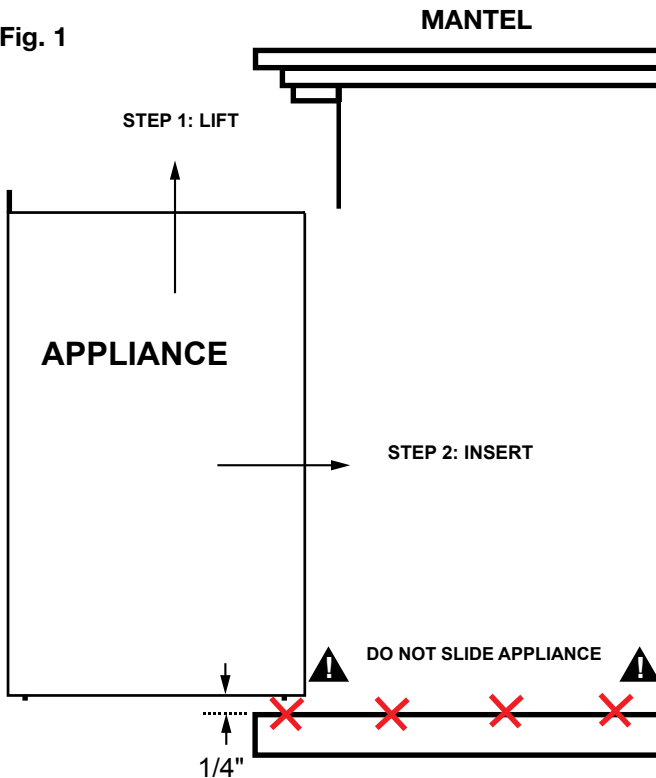
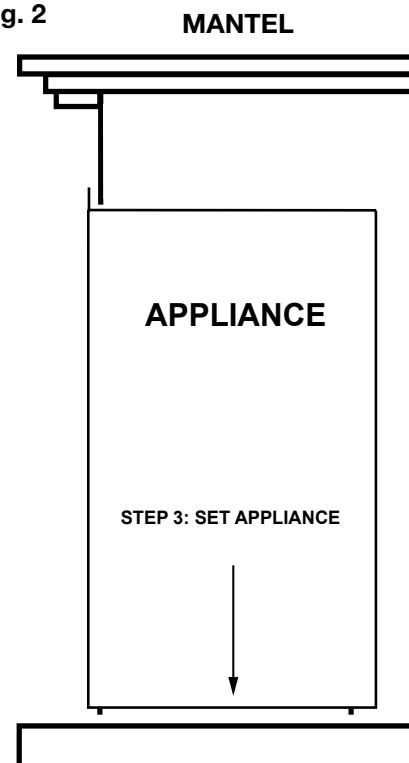


Fig. 2



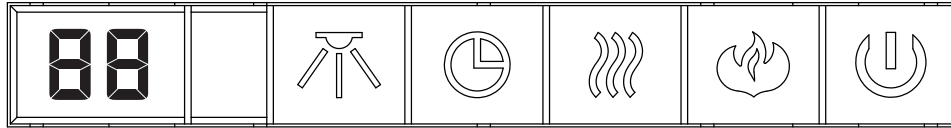
WARNING









- Ensure the house circuit breakers for the power supply are turned on. When initially connecting the appliance into a power source, the appliance will perform an LED check. The appliance will flash on and off for 5 seconds.

Once the appliance has been plugged into a grounded electrical outlet or hard-wired to a dedicated 120V power supply, it is ready to operate.

4.1 operating control panel

The Control Panel is located on the top front of the appliance.



Power		Turns the appliance on / off.
Flame & Ember Light Control		Controls flame brightness and ember light. 5 Settings: Flame & ember off (F0), ember on but flame off (LL), small flame & ember (F1), medium flame & ember (F2), brightest flame & ember (F3).
Heater Control		Turns the heater and blower on / off. 4 Settings: Heater & blower off (HO), blower on (BL), low heat (H1), high heat (H2).
Timer		Timer can be programmed to run appliance for specific lengths of time (30mins. minimum to 6hrs. maximum).
Decorative Light (NEFB27H & NEFB29H only)		Controls decorative light settings. 4 Settings: Decorative light off (d0), white colour (d1), auto-cycle from white / orange / blue / orange-blue / white-orange / white-blue (d2), lock to desired colour (d3). NOTE: It will take 8.5 seconds to switch between on d2 setting.
F° / C° Switch		Control temperature format (Fahrenheit or Celsius). Press and hold the flame button for 5 seconds.
Heater Lock		Heater button can be locked or unlocked by holding the heater button for 5 seconds.
Temperature Control		Press and hold the timer button for 5 seconds. This will change the button to Temperature Control, or vice versa. 7 Settings: 16°C (61°F), 18°C (64°F), 21°C (70°F), 24°C (75°F), 27°C (81°F), 29°C (85°F) and OFF.







4.2 operating by remote control

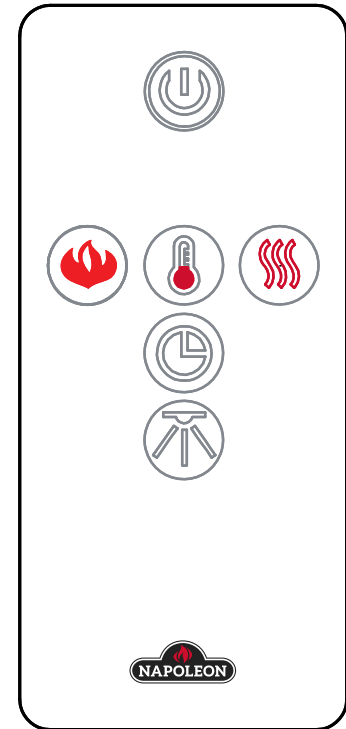
! WARNING

- To avoid danger of suffocation, keep the packaging bag away from babies and children. Do not use in cribs, beds, carriages, or play pens. This bag is not a toy. Knot before throwing away.

note:

When operating the remote control, it must be directed towards the front centre of the appliance. This remote control must remain within 6 meters (20 feet) of the appliance to be effective.

Power		Turns the appliance on / off.
Flame & Ember Light Control		Controls flame brightness and ember light. 5 Settings: Flame & ember off (F0), ember on but flame off (LL), small flame & ember (F1), medium flame & ember (F2), brightest flame & ember (F3).
Thermostat		Controls the thermostat. 7 Settings: 16°C (61°F), 18°C (64°F), 21°C (70°F), 24°C (75°F), 27°C (81°F), 29°C (85°F) and OFF. NOTE: When the room temperature is 2 degrees lower than the temperature setting, the heater will turn on.
Heater & Blower		Controls the heater and blower. 4 Settings: Heater & blower off (HO), blower on (BL), low heat (H1), high heat (H2).
Timer		Timer can be programmed to run appliance for specific lengths of time (30mins. minimum to 6hrs. maximum).
Decorative Light (NEFB27H & NEFB29H only)		Controls decorative light settings. 4 Settings: Decorative light off (d0), white colour (d1), auto-cycle from white / orange / blue / orange-blue / white-orange / white-blue / (d2), lock to desired colour (d3). NOTE: It will take 8.5 seconds to switch between on d2 setting.



NEFB27H & NEFB29H
Remote Control Illustrated

4.3 remote control battery installation

! WARNING

- This remote control requires button batteries that are hazardous to young children.
- **WARNING! KEEP BATTERIES OUT OF REACH OF CHILDREN.**
- Swallowing may lead to serious injury or death in as little as 2 hours due to chemical burns and potential perforation to the oesophagus.
- If you suspect your child has swallowed or inserted a button battery, immediately seek urgent medical assistance.
- Examine devices and make sure the battery compartment is correctly secured (i.e. that the screw or other mechanical fastener is tightened). Do not use if compartment is not secure.
- Dispose of used button batteries immediately and safely. Flat batteries can still be dangerous.
- Tell others about the risks associated with button batteries and how to keep their children safe.



1. To replace the existing battery, remove the battery holder.
2. To remove the battery holder, turn the remote onto its front side. Slide the battery holder outwards.
3. Replace the existing battery holder with a new battery (type CR 2025). Slide the battery holder back into position.
4. The battery holder is secure onto the remote control when a "CLICKING" noise is heard.



Batteries must be disposed of according to the local laws and regulations. Some batteries may be recycled, and may be accepted for disposal at your local recycling center. Check with your municipality for recycling instructions.

5.0 finishing

! WARNING

- Power supply service must be completed prior to finishing to avoid reconstruction.
- Heat vents and air openings cannot be covered under any circumstances.

5.1 glass door removal and installation

! WARNING

- Facing and/or finishing materials must not interfere with air flow through air openings, louvre openings, operation of louvres or doors, or access for service. Observe all clearances when applying combustible materials.
- Before door is removed, turn the appliance off and wait until appliance is cool to the touch. Doors are heavy and fragile so handle with care.

- Remove the 4 screws off the appliance (**Fig. 5-1**).
- Remove the glass front and place on a soft non-abrasive surface.
- Reverse these steps to reinstall the glass front.

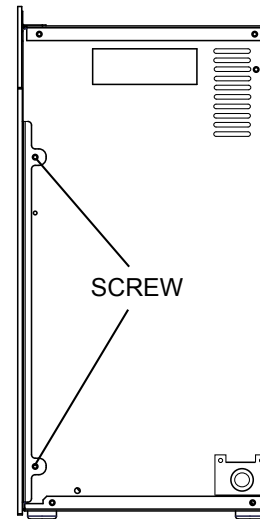


Fig. 5-1

5.2 log, grate, and ember bed assembly removal

For Model NEFB24H and NEFB27H:

- Remove the 4 screws securing the ember bed to the sides (and bottom, if applicable) of the appliance (**Fig. 5-2**).

note:

Some models only have two screws.

- Lift the log, grate and ember bed up from the appliance and remove.

For Model NEFB29H:

- Remove the packaging materials holding the logs, grate and ember bed assembly to the appliance.
- Pinch the back of the assembly and lift it up from the appliance.

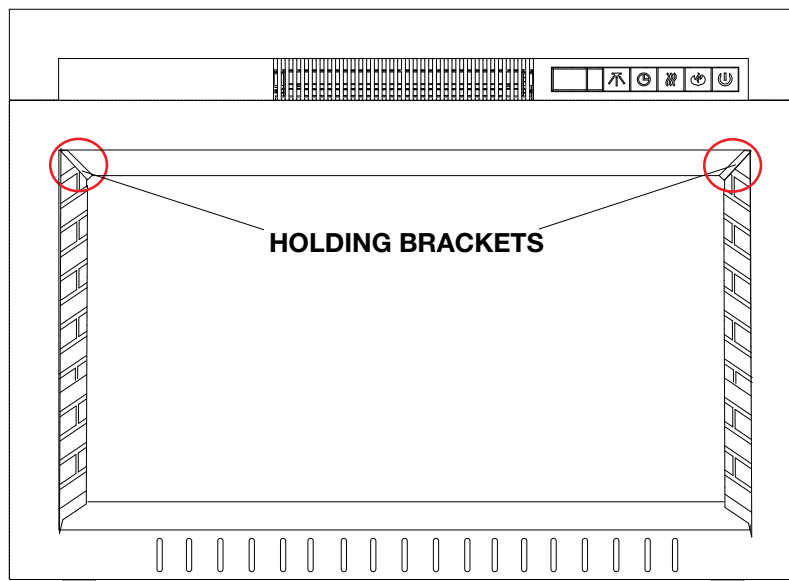
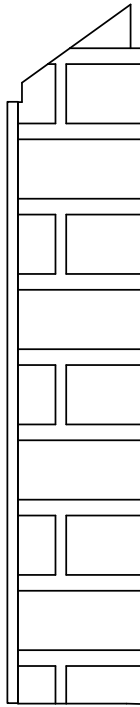


NEFB27H Illustrated

Fig. 5-2

5.3 brick panel installation and removal (NEFB29H only)

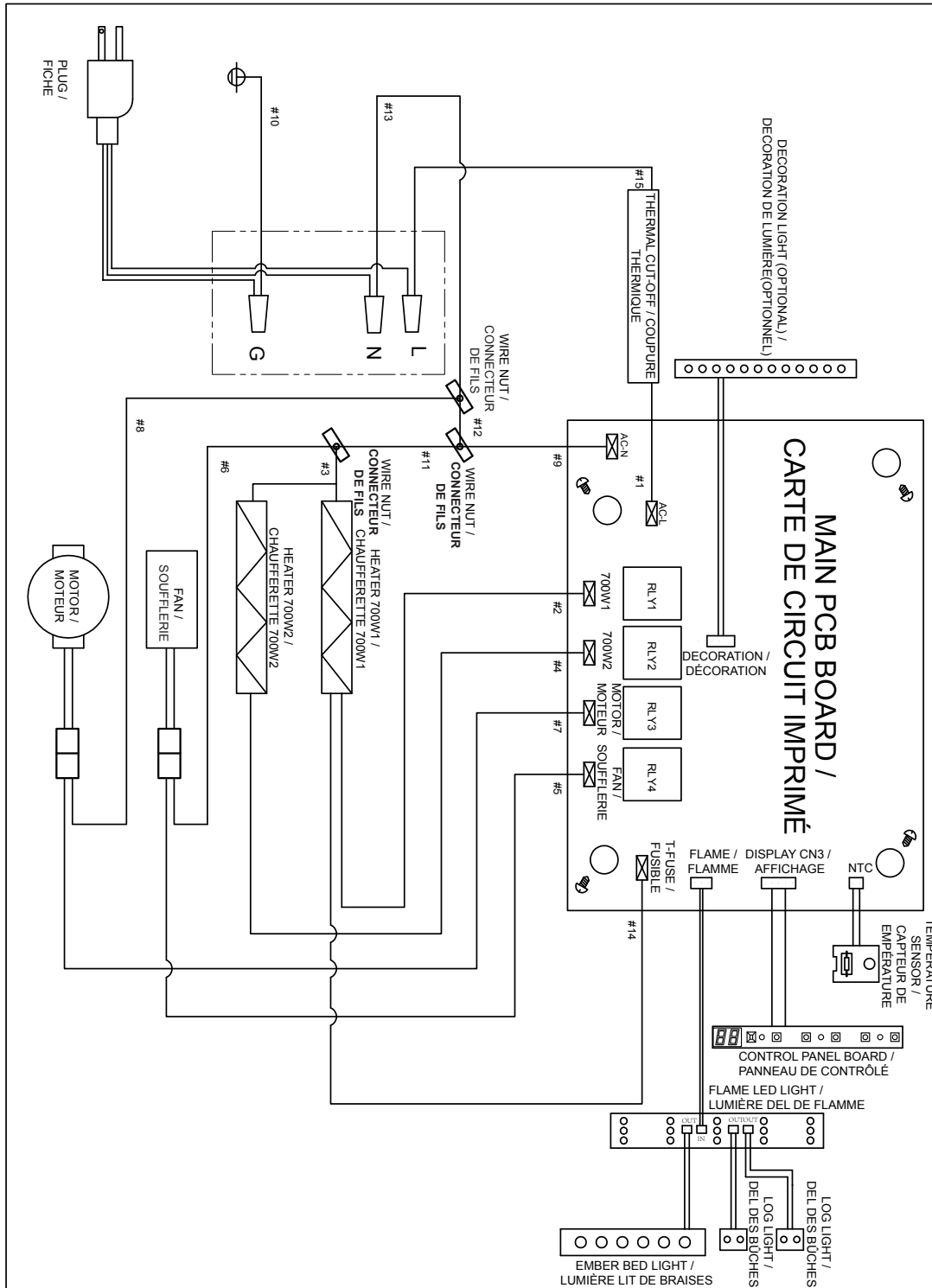
- A. Slide the panels into place and secure with the holding bracket.
- B. Ensure the brick panels are positioned appropriately in the appliance and are not angled or sticking out from the appliance.



! WARNING

- Turn off the appliance completely and let cool before servicing. Only a qualified service person should service and repair this electric appliance.

6.1 wiring diagram



! WARNING

- Failure to position the parts in accordance with this manual or failure to use only parts specifically approved with this appliance may result in property damage or personal injury.

Contact your dealer for questions concerning prices and policies on replacement parts. Normally, all parts can be ordered through your Authorized dealer / distributor.

For warranty replacement parts, a photocopy of the original invoice will be required to honour the claim.

When ordering replacement parts always give the following information:

- Model & Serial Number of appliance
- Installation date of appliance
- Part number
- Description of part
- Finish

Parts, part numbers, and availability are subject to change without notice.

Parts identified as stocked will be delivered within 2 to 5 business days for most delivery destinations.

Parts not identified as stocked will be delivered within a 2 to 4 week period, for most cases.

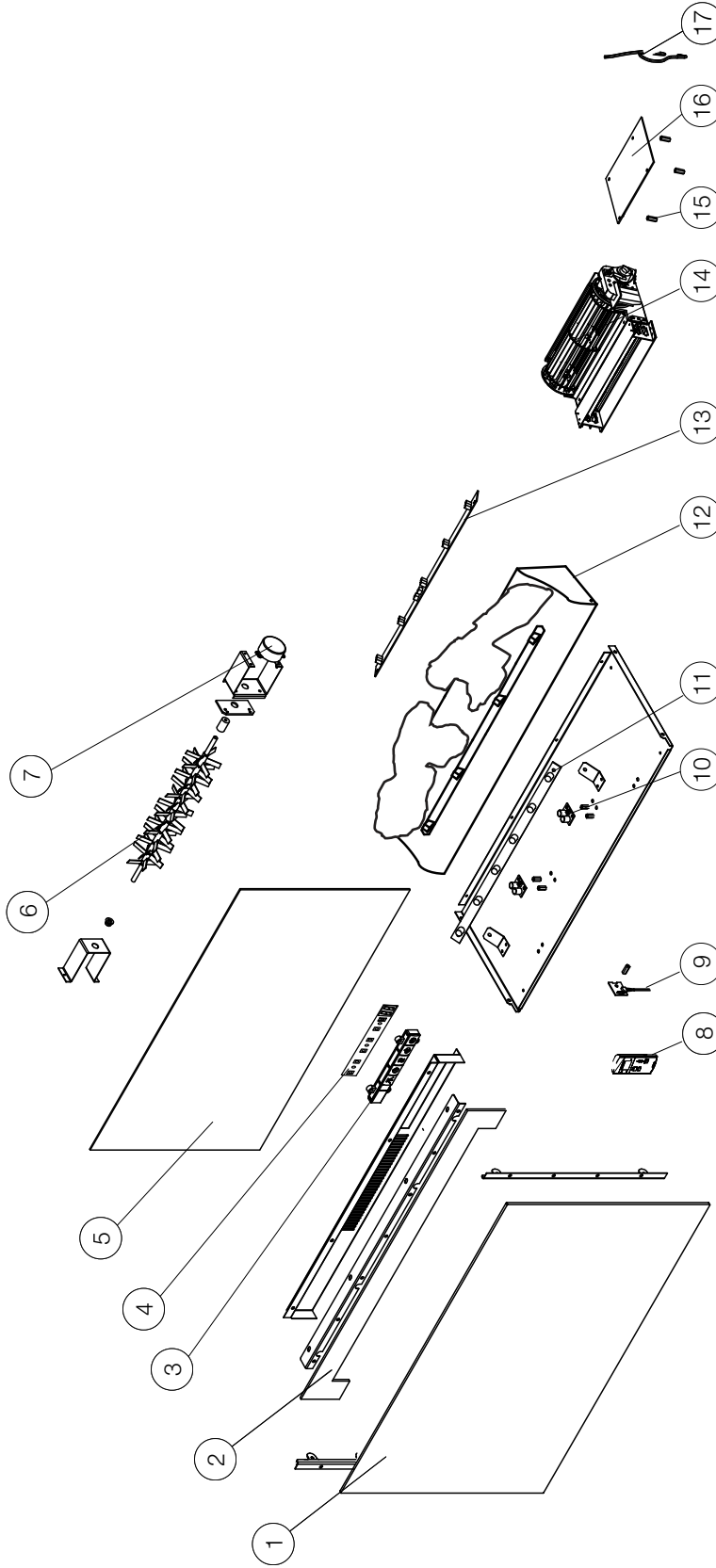
Parts identified as 'SO' are special order and can take up to 90 days for delivery.

For after sales service, please call 1-866-820-8686.

note:

Care must be taken when removing and disposing of any broken glass or damaged components. Be sure to vacuum up any broken glass from inside the appliance before operation.

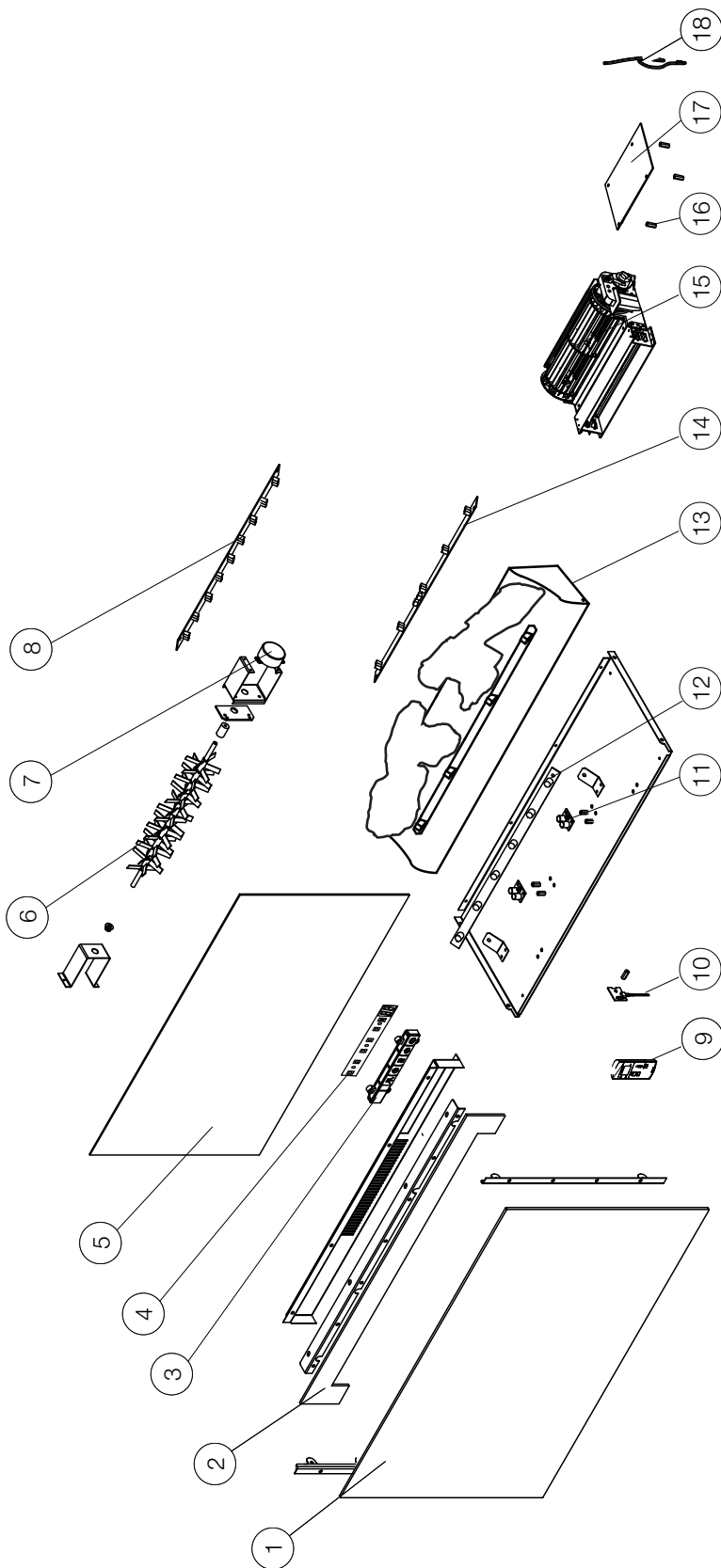
7.1 NEFB24H overview



Items may not appear exactly as illustrated.

Ref.	Part No.	Description	Stocked	Ref.	Part No.	Description	Stocked
1	G010-0076-SER	Front Glass	Yes	9	G190-0004-SER	Temperature Sensor	Yes
2	G010-0084-SER	Front Header	Yes	10	G405-0012-SER	Log LED	Yes
3	G010-0081-SER	Control panel, NEFB24H	Yes	11	G405-0011-SER	Ember Bed LED	Yes
4	G190-0006-SER	Control Panel Board	Yes	12	G135-0011-SER	Ember Bed	Yes
5	G105-0006-SER	Plastic Flame Panel	Yes	13	G405-0010-SER	Flame LED	Yes
6	W010-3145-SER	Reflector	Yes	14	G010-0079-SER	Blower & Heater Assembly	Yes
7	W435-0059-SER	Synchronous Motor	Yes	15	W615-0135-SER	Spacer, 4 Pcs	Yes
8	G660-0004-SER	Remote Control Transmitter	Yes	16	G190-0005-SER	Main PCB Board	Yes
				17	G750-0032-SER	Wire Assembly	Yes

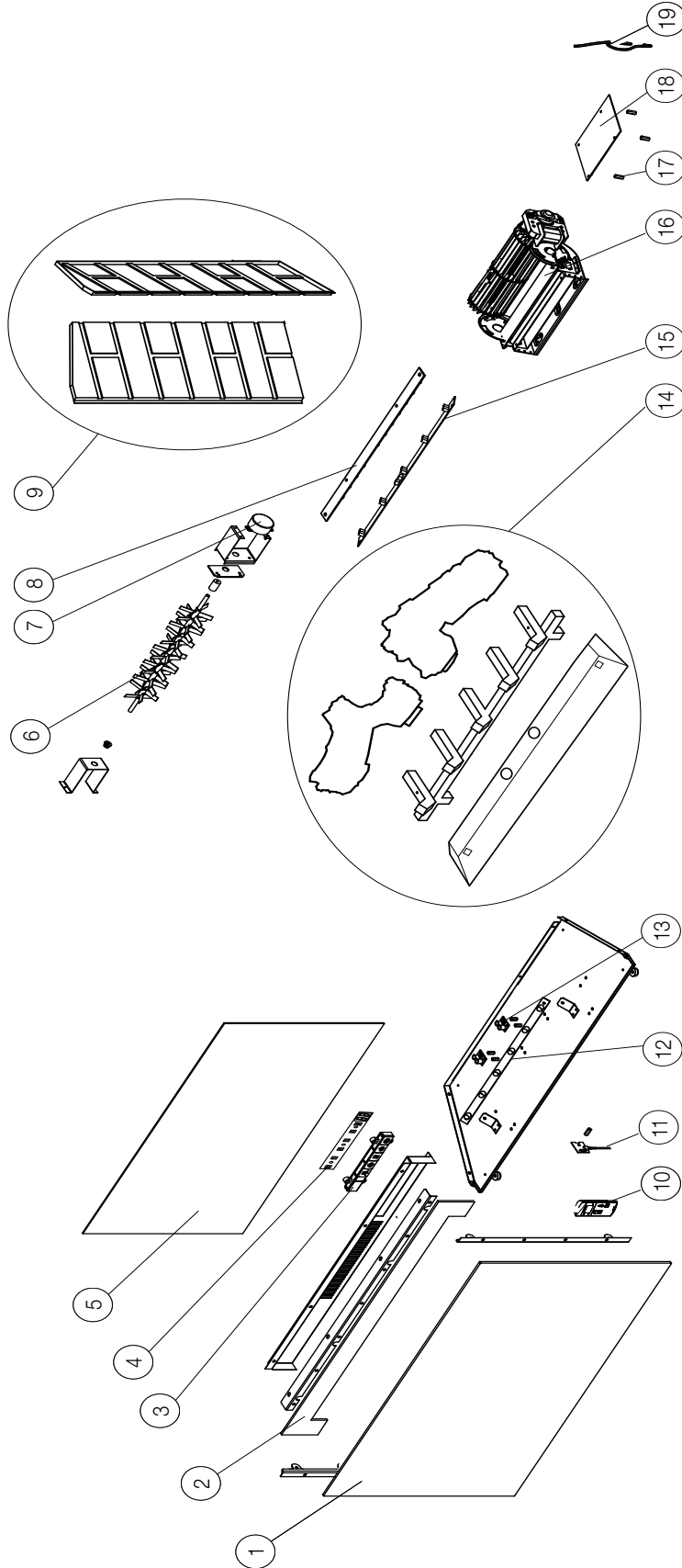
7.2 NEFB27H overview



Items may not appear exactly as illustrated.

Ref.	Part No.	Description	Stocked	Ref.	Part No.	Description	Stocked
1	G010-0077-SER	Front Glass	Yes	10	G190-0004-SER	Temperature Sensor	Yes
2	G010-0085-SER	Front Header	Yes	11	G405-0012-SER	Log LED	Yes
3	G010-0080-SER	Control panel, NEFB29H	Yes	12	G405-0011-SER	Ember Bed LED	Yes
4	G190-0006-SER	Control Panel Board	Yes	13	G135-0012-SER	Ember Bed	Yes
5	G105-0007-SER	Plastic Flame Panel	Yes	14	G405-0010-SER	Flame LED	Yes
6	G010-0082-SER	Reflector	Yes	15	G010-0079-SER	Blower & Heater Assembly	Yes
7	W435-0059-SER	Synchronous Motor	Yes	16	W615-0135-SER	Spacer, 4 Pcs	Yes
8	G405-0007-SER	Night Light LED	Yes	17	G190-0005-SER	Main PCB Board	Yes
9	G660-0005-SER	Remote Control Transmitter	Yes	18	G750-0032-SER	Wire Assembly	Yes

7.3 NEFB29H overview



Items may not appear exactly as illustrated.

Ref.	Part No.	Description	Stocked	Ref.	Part No.	Description	Stocked
1	G010-0078-SER	Front Glass	Yes	10	G660-0005-SER	Remote control transmitter	Yes
2	G010-0086-SER	Front Header	Yes	11	G190-0004-SER	Temperature sensor	Yes
3	G010-0080-SER	Control panel, NEFB29H	Yes	12	G405-0011-SER	Ember Bed LED	Yes
4	G190-0006-SER	Control Panel Board	Yes	13	G135-0012-SER	Log LED	Yes
5	G105-0008-SER	Plastic Flame Panel	Yes	14	G010-0083-SER	Log / Ember / Grate Assembly	Yes
6	W010-3145-SER	Reflector	Yes	15	G405-0010-SER	Flame LED	Yes
7	W435-0059-SER	Synchronous Motor	Yes	16	G010-0079-SER	Blower and heater assembly	Yes
8	G405-0007-SER	Night light LED	Yes	17	W615-0135-SER	Spacer, 4 Pcs	Yes
9	G010-0090-SER	Brick panel kit	Yes	18	G190-0005-SER	Main PCB board	Yes
				19	G750-0032-SER	Wire Assembly	Yes

WARNING

- Turn off the appliance completely and let cool before servicing. Only a qualified service person should service and repair this electric appliance.

symptom	problem	solution
Appliance will not come on when power button/switch is put into the "on" position.	Appliance is not plugged into an electrical outlet.	Check plug, and plug in the appliance if necessary.
	Hard wire connections are not correct (if applicable).	See "hard-wiring installation" section.
	Appliance has overheated and safety thermal switch has tripped.	Unplug power or turn off the circuit breaker, allow appliance to cool for 15 minutes, then plug in the appliance or turn the breaker on.
	Main PCB board issue.	Inspect the circuit board and replace, if necessary.
Appliance turns off and will not turn on.	House circuit breaker has tripped.	Reset house circuit breaker.
	Appliance's fuse has blown.	Replace the fuse.
	Appliance has overheated and safety thermal switch has tripped.	Unplug power or turn off the circuit breaker, allow appliance to cool for 15 minutes to reset the thermal switch, then plug in the appliance or turn the breaker on.
Appliance has returned to default settings.	Power failure.	Re-program appliance to original settings (not applicable with all appliances).
Remote control does not work.	Low/dead batteries.	Replace batteries in remote control.
	Remote receiver malfunction.	Ensure remote receiver is not blocked. Replace control panel.
No warm air coming out of the appliance.	Heater setting not selected.	See "operation" section.
	Heater has been locked out.	See "operation" section.
	Room temperature is higher than appliance setting (if set to room temperature).	Reset temperature setting.
	Appliance has overheated and safety thermal switch has tripped.	Unplug power or turn off the circuit breaker. Allow for appliance to cool for 15 minutes.
	Hard wire connections are not correct (if applicable).	See "hard-wiring installation" section.
	Heater issue.	Inspect the blower and heater and replace, if necessary.
Heater shuts off automatically.	Room is too warm.	The heater has a built-in thermostat so it will shut off automatically once the pre-set temperature is reached. It will also turn on automatically if the room temperature drops below the pre-set temperature.
Dim or no flame.	Flame brightness not selected.	See "operation" section.
	Flame LEDs issue.	Inspect the LED and replace, if necessary.
	Main PCB board issue.	Inspect the main PCB board and replace, if necessary.
Flame does not move.	Motor is stalled/malfunctioning.	Cycle on/off. If problem persists, consult dealer.

symptom	problem	solution
Ember bed is not glowing or dimming.	Brightness not selected.	See "operation" section.
	Ember LED issue.	Inspect the ember bed LEDs and replace, if necessary.
	Main PCB board issue.	Inspect the main PCB board and replace, if necessary.
LED flashing "OH".	Appliance has overheated and safety thermal switch has tripped.	Unplug power or turn off the circuit breaker. Allow appliance to cool for 15 minutes, then plug in the appliance or turn the breaker on. If problem persists, consults your dealer.

Napoleon electric appliances are manufactured under the strict Standard of the world recognized ISO 9001 : 2015 Quality Management System.

Napoleon products are designed with superior components and materials and assembled by trained craftsmen who take great pride in their work. Once assembled, the complete appliance is thoroughly inspected by a qualified and authorized installer, service agency, or supplier before packing to ensure that you, the customer, receive the quality product that you expect from **Napoleon**.

Napoleon Electric Appliance Standard Warranty

Electrical components and wearable parts are covered and **Napoleon** will provide replacement parts free of charge during the first year of standard warranty. This covers: fan/heaters, motors, switches, nylon bearing components, remote controls, and LED lights.*

Light bulbs and fuses are NOT covered by the warranty.

Any labour related to warranty repair is not covered.

* Construction of models vary. Warranty applies only to components included with your specific appliance.

Conditions and Limitations

Napoleon warrants its products against manufacturing defects to the original purchaser only. Registering your warranty is not necessary. Simply provide your proof of purchase along with the model and serial number to make a warranty claim. Provided that the purchase was made through an authorized **Napoleon** dealer, your appliance is subject to the following conditions and limitations:

Warranty coverage begins on the date of original installation.

This factory warranty is non-transferable and may not be extended whatsoever by any of our representatives.

Installation must be done in accordance with the installation instructions included with the product and all local and national building and fire codes.

This standard warranty does not cover damages caused by misuse, lack of maintenance, accident, alterations, abuse, or neglect and parts installed from other manufacturers will nullify this warranty.

This standard warranty further does not cover any scratches, dents, corrosion, or discolouring caused by excessive heat, abrasive and chemical cleaners, nor chipping on porcelain enamel parts, mechanical breakage of PHAZER™ logs.

In the first year only, this warranty extends to the repair or replacement of warranted parts which are defective in material or workmanship, provided that the product has been operated in accordance with the operation instructions and under normal conditions.

Napoleon will not be responsible for installation, labour, or any other expenses related to the reinstallation of a warranted part, and such expenses are not covered by this warranty. Notwithstanding any provisions contained in the Standard Warranty, **Napoleon** responsibility under this warranty is defined as above, and it shall not in any event extend to any incidental, consequential, or indirect damages.

This warranty defines the obligations and liability of **Napoleon** with respect to the **Napoleon** electric appliance and any other warranties expressed or implied with respect to this product; its components or accessories are excluded.

Napoleon neither assumes, nor authorizes any third party to assume, on its behalf, any other liabilities with respect to the sale of this product.

Any damages to appliance, brass trim or other component due to water, weather damage, long periods of dampness, condensation, damaging chemicals, or cleaners will not be the responsibility of **Napoleon**.

Napoleon reserves the right to have its representative inspect any product or part thereof prior to honouring any warranty claim.

All parts replaced under the Standard Warranty Policy are subject to a single claim.

All parts replaced under the warranty will be covered for a period of 90 days from the date of their installation.

The manufacturer may require that defective parts or products be returned or that digital pictures be provided to support the claim. Returned products are to be shipped prepaid to the manufacturer for investigation. If a product is found to be defective, the manufacturer will repair or replace such defect.

Before shipping your appliance or defective components, your dealer must obtain an authorization number. Any merchandise shipped without authorization will be refused and returned to sender.

Shipping costs are not covered under this warranty.

Additional service fees may apply if you are seeking warranty service from a dealer.

All specifications and designed are subject to change without prior notice due to on-going product improvements. **Napoleon** is a registered trademark of Wolf Steel Ltd.

NAPOLEON CELEBRATING OVER 40 YEARS OF HOME COMFORT PRODUCTS



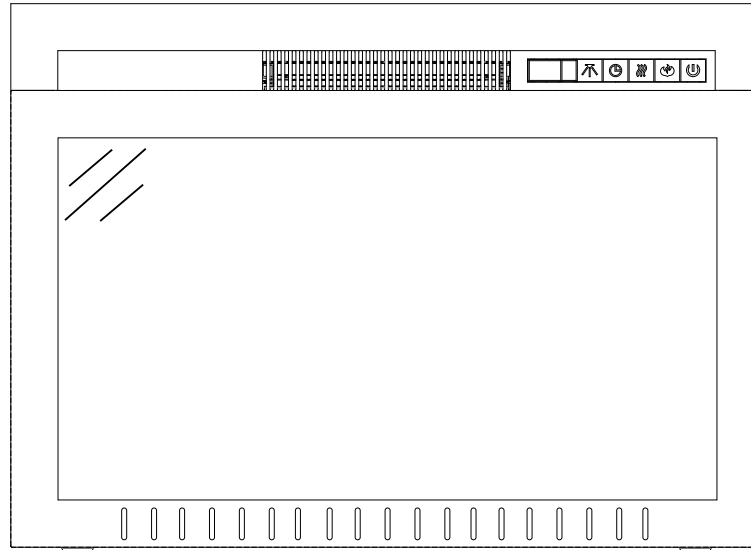
7200, Route Transcanadienne, Montréal, Québec H4T 1A3
24 Napoleon Road, Barrie, Ontario, Canada L4M 0G8
214 Bayview Drive, Barrie, Ontario, Canada L4N 4Y8
103 Miller Drive, Crittenden, Kentucky, USA 41030
De Riemsdijk 22, 4004 LC Tiel, The Netherlands

Phone: 1-866-820-8686
napoleon.com



MANUEL D'INSTALLATION ET D'OPÉRATION

Série Encastré Cinema^{MD}
NEFB24H Illustré



CONSIGNES DE SÉCURITÉ

! AVERTISSEMENT

RISQUE D'INCENDIE OU D'EXPLOSION

Si ces instructions ne sont pas suivies à la lettre, un incendie pourrait s'ensuivre causant des dommages matériels, des blessures corporelles ou des pertes de vie.

- N'entreposez pas et n'utilisez pas d'essence ou autres liquides et vapeurs inflammables à proximité de cet appareil ou tout autre appareil.

INSTALLATEUR:

Laissez ce manuel avec l'appareil

PROPRIÉTAIRE:

Conservez ce manuel pour consultation ultérieure.



Cet appareil dispose d'une télécommande qui nécessite des piles à bouton qui sont dangereuses pour les jeunes enfants.

POUR L'UTILISATION INTÉRIEUR SEULEMENT

**CERTIFIÉ SELON LES NORMES NATIONALES CANADIENNES ET AMÉRICAINES:
CSA 22.2 NO. 46 / UL 2021**



Wolf Steel Ltd., 24 Napoleon Rd., Barrie, ON, L4M 0G8 Canada / 103 Miller Drive, Crittenden, Kentucky, USA, 41030
Téléphone 1 (866) 826 8686 • www.napoleon.com • hearth@napoleon.com

AVERTISSEMENT

- **Si équipé avec un chauffage, cet appareil peut être chaud lorsqu'il fonctionne et peut causer de graves brûlures en cas de contact.**
- Ne faites pas fonctionner l'appareil avant d'avoir lu et compris les instructions d'utilisation. L'incapacité de respecter les instructions pourrait causer un incendie ou des blessures corporelles.
- N'installez pas de composants endommagés ou incomplets, ni des composants de substitution.
- Ne brûlez pas de bois ou autres matériaux dans cet appareil.
- Tous les appareils électriques contiennent des composants internes qui deviennent chauds et qui produisent des étincelles. N'utilisez pas cet appareil dans des endroits où de l'essence, des peintures ou d'autres liquides inflammables sont présents.
- Les grillages de sécurités ou écrans enlevés pour faire l'entretien devront être remis en place avant d'utiliser l'appareil.
- Il est primordial de garder propres les compartiments de contrôle, les brûleurs, la soufflerie, les bouches d'air de l'appareil ainsi que le système d'évacuation. L'appareil et son système d'évacuation doivent être inspectés avant la première utilisation et au moins une fois l'an par un spécialiste en entretien. Un entretien plus fréquent pourrait être nécessaire en raison des peluches provenant des tapis, literie, etc. L'emplacement de l'appareil doit être gardé libre de tous matériaux combustibles, essence ou autres liquides et vapeurs inflammables.
- Cet appareil ne devra être modifié en aucun cas.
- N'utilisez pas cet appareil si une partie quelconque a été submergée. Contactez immédiatement un technicien de service qualifié pour inspecter l'appareil et pour remplacer toute pièce du système de contrôle qui aurait été submergée.
- Si équipé avec une porte vitrée, n'opérer pas l'appareil lorsque la porte vitrée est enlevée, fissurée ou brisée. Le remplacement de la vitre devra être effectué par un technicien de service certifié ou qualifié.
- Si équipé avec un porte vitrée, ne frappez pas et ne claquez pas la porte vitrée de l'appareil.
- Les matériaux d'emballage doivent être gardés hors de la portée des enfants et mis au rebut de façon sécuritaire. Comme tous les emballages de plastique, ceux-ci ne sont pas des jouets et doivent demeurer hors de la portée des enfants et des bébés.
- L'entretien ne doit être effectué que lorsque l'appareil est débranché du circuit électrique.
- Débranchez toujours l'appareil lorsqu'il n'est pas utilisé.
- N'utilisez pas l'appareil si le cordon d'alimentation ou la fiche sont endommagés, s'il ne fonctionne pas bien, ou s'il a été échappé ou endommagé d'une quelconque façon. Retournez l'appareil à un centre de service autorisé pour une inspection, des ajustements électriques ou mécaniques ou une réparation.
- N'utilisez pas cet appareil à l'extérieur.
- Lorsque vous installez cet appareil dans une pièce où l'eau est présente, l'installation doit se conformer aux codes reconnaissant le risque accru de décharge électrique et d'électrocution.

note:

Cet appareil NE PEUT PAS être installé dans une salle de bain.

- Ne passez pas le cordon d'alimentation sous un tapis. Ne recouvrez pas le cordon avec des carpettes, des tapis de couloir ou autres revêtements similaires. Évitez de placer le cordon dans un endroit passant ou à un endroit où il risque de causer des chutes.
- Branchez seulement dans une prise de courant adéquatement mise à la terre.
- N'insérez pas d'objets dans les ouvertures d'entrée d'air ou de sortie d'air puisque cela risque d'endommager l'appareil ou causer des chocs électriques ou un incendie.
- Il est normal que votre appareil électrique produise du bruit, surtout s'il est installé dans un endroit calme comme un chambre à coucher.

! AVERTISSEMENT

- Pour prévenir les risques d'incendie, ne bloquez pas les entrées d'air et les sorties d'air de quelque manière que ce soit. Ne placez pas cet appareil sur une surface molle telle qu'un tapis où les ouvertures pourraient se bloquer.
- Toujours brancher l'appareil directement dans une prise murale. N'utilisez pas de cordons d'alimentation ou une robinet d'alimentation relogeables (alimentation/multiprise).
- Cet appareil a été testé et homologué pour usage avec les accessoires optionnels listés dans ce manuel uniquement. L'utilisation d'accessoires optionnels qui n'ont pas été spécifiquement testés pour cet appareil électrique annulera la garantie de l'appareil et/ou présentera des risques pour la sécurité.

Pour les appareil équipé avec chauffage:

- Risque de brûlures. L'appareil doit être éteint et refroidi avant d'effectuer l'entretien. Pour débrancher l'appareil, mettez d'abord les boutons de contrôle à « OFF » puis retirez la fiche de la prise de courant.
- Les jeunes enfants doivent être supervisés attentivement lorsqu'ils sont dans la même pièce que l'appareil recommandés s'il y a dans la maison des individus à risque. Les jeunes enfants et autres personnes sont sujets aux brûlures accidentelles. Une barrière de protection est recommandée s'il y a dans la maison des individus à risque. Afin de restreindre l'accès à l'appareil, installez une barrière de protection ajustable pour garder les jeunes enfants ou autres personnes à risque hors de la pièce et loin des surfaces chaudes.
- Les vêtements et autres matériaux combustibles ne doivent pas être posés sur l'appareil ou à proximité.
- En raison des températures élevées, l'appareil devrait être placé loin des endroits passants et loin des meubles et des rideaux.
- Assurez-vous de disposer de mesures de sécurité adéquates pour empêcher les jeunes enfants de toucher aux surfaces chaudes.
- Même lorsque l'appareil est éteint, la porte et l'écran demeureront chauds pendant un bon moment.
- Consultez votre détaillant local de foyer pour connaître les grillages de sécurité et les écrans offerts pour protéger les enfants des surfaces chaudes. Ces grillages de sécurité et ces écrans doivent être fixés au plancher.
- Assurez-vous de respecter les dégagements aux matériaux combustibles lorsque vous installez un manteau ou des tablettes au-dessus de l'appareil. Les téléviseurs et autres composants électroniques soumis à des températures élevées peuvent fondre, se déformer, se décolorer et entraîner des défaillances prématurées de ces appareils.

! AVERTISSEMENT: Ce produit peut vous exposer à des substances chimiques incluant le plomb et les composés de plomb qui, selon l'État de Californie, causeraient le cancer, et des substances chimiques incluant le BBP et DEHP qui, selon d'État de Californie, causeraient des malformations congénitales ou autres dangers pour la reproduction. Pour de plus amples renseignements, visitez le www.P65Warnings.ca.gov.

table des matières

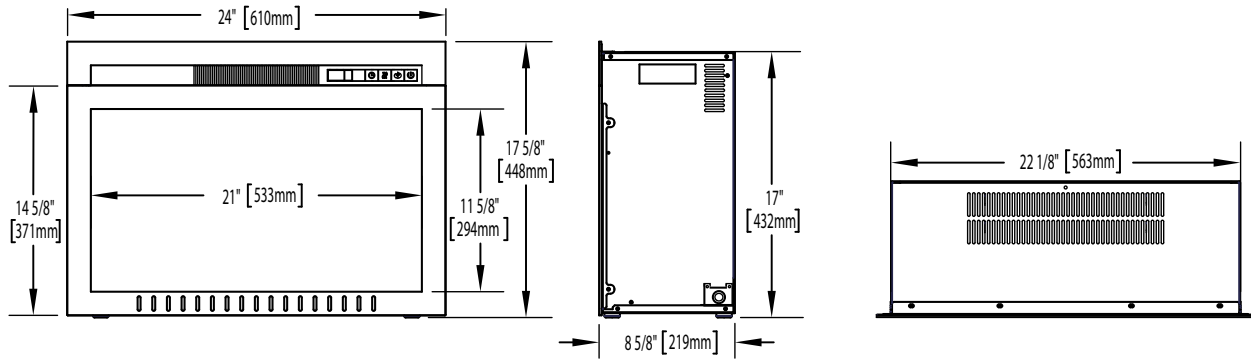
FR

1.0	information générale	31
1.1	dimensions	31
1.2	homologations	32
1.3	instructions générales	32
1.4	information à propos de la plaque d'homologation	33
1.5	emplacement des étiquettes	33
2.0	emplacement de l'appareil	34
2.1	déballage et vérification de l'appareil	34
2.2	mise à la terre de l'appareil	34
3.0	installation	35
3.1	dégagements minimaux aux matériaux combustibles	35
3.2	dégagements minimaux à la tablette	35
3.3	ossature	36
3.3.1	branchement par câble	37
3.3.2	installation de l'appareil	38
4.0	instructions de fonctionnement	39
4.1	utilisation du panneau de contrôle	39
4.2	utilisation de la télécommande	40
4.3	installation des piles de la télécommande	41
5.0	finitions	42
5.1	enlèvement et installation de la porte vitrée	42
5.2	enlèvement de bûche, grille, et lit de braise	42
5.3	installation et enlèvement de panneau en brique (NEFB29H seulement)	43
6.0	information électrique	44
6.1	schéma de câblage	44
7.0	pièces de rechange	45
7.1	vue d'ensemble de NEFB24H	46
7.2	vue d'ensemble de NEFB27H	47
7.3	vue d'ensemble de NEFB29H	48
8.0	guide de dépannage	49
9.0	garantie	51

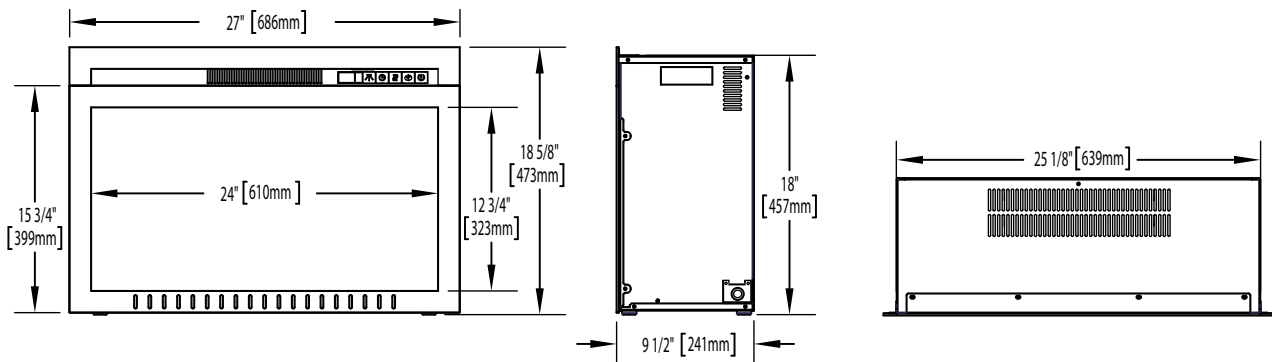
note:

L'information contenue dans ce manuel est jugée correcte au moment de l'impression. Wolf Steel Ltée. se réserve le droit de modifier ou de modifier toute information dans ce manuel à tout moment sans préavis. Les modifications, autre que les éditoriaux, sont désignées par une ligne verticale dans la marge.

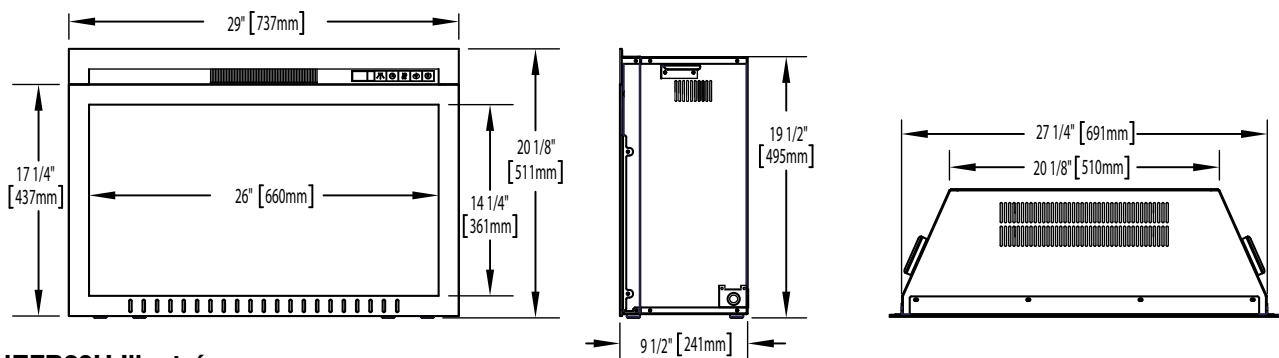
1.1 dimensions



NEFB24H Illustré



NEFB27H Illustré



NEFB29H Illustré

information générale

FR

1.2 homologations

Cet appareil a été testé selon les normes CSA pour les appareils électriques installés de façon permanente aux États-Unis et au Canada. Si vous avez besoin d'assistance durant l'installation, veuillez contacter votre détaillant local.

note:

Cet appareil doit être raccordé électriquement et mis à la terre selon les codes locaux ou, en l'absence de tels codes, avec la dernière édition du National Electrical Code ANSI/NFPA 70 aux États-Unis ou le Code Canadien de l'Électricité CSA C22.1 au Canada.

N° de Modèle	NEFB24H	NEFB27H	NEFB29H
Description	Appareil Électrique 24"	Appareil Électrique 27"	Appareil Électrique 29"
Tension	120V AC		
Puissance	Max 1500W		
Ampères	15 AMP circuit mis à la terre dédié		
Largeur	24" (610mm)	27" (686mm)	29" (737mm)
Hauteur	17 5/8" (448mm)	18 5/8" (473mm)	20 1/8" (511mm)
Profondeur	8 5/8" (219mm)	9 1/2" (241mm)	9 1/2" (241mm)
Poids Net	29,1lbs (13,2kg)	33,6lbs (15,3kg)	33,7lbs (15,3kg)
Poids Brut (1A)	33,1lbs (15kg)	37lbs (17,1kg)	38,5lbs (17,5kg)
Poids Brut (3A)	35,1 lbs (16kg)	40,9lbs (18,6kg)	41,8lbs (19kg)

1.3 instructions générales

- Avant de brancher votre appareil dans une prise de courant, vérifiez si le disjoncteur de la maison pour ce circuit est allumé.
- Il est possible que l'appareil dégage une légère odeur inoffensive lors de la première utilisation. Cela est une condition normale causée par le chauffage initial des éléments de l'appareil. Elle ne se reproduira plus.
- Si votre appareil n'émet pas de chaleur lorsqu'il est sollicité, consultez la section « fonctionnement » de ce manuel pour de plus amples renseignements.
- Utilisez avec un limiteur de surtension certifié CSA ou UL.
- Ne faites pas passer le cordon d'alimentation directement sous l'appareil.

Cet appareil électrique répond aux normes de construction et de sécurité du H.U.D. pour des applications dans des maisons préfabriquées lorsque installé selon ces instructions.

Comme avec la plupart des appareils électroniques, votre nouveau appareil électrique a été conçu pour fonctionner à des températures comprises entre 5°C (41°F) et 35°C (95°F). Pendant les mois froids de l'hiver, la cheminée permet d'atteindre la température ambiante avant de l'allumer.

1.4 information à propos de la plaque d'homologation

CERTIFIED UNDER CANADIAN AND AMERICAN NATIONAL STANDARD: CSA 22.2 NO. 46 AND UL 2021 /
HOMOLOGUÉ SELON LES NORMES NATIONALES CANADIENNES ET AMÉRICAINES: CSA 22.2 NO. 46 UL 2021

ELECTRIC FIREPLACE. SUITABLE FOR
BEDROOM AND BED-SITTING ROOM
INSTALLATION. SUITABLE FOR MOBILE
HOME INSTALLATION.

FOYER À ÉLECTRIQUE. HOMOLOGUÉ POUR
INSTALLATION DANS UNE CHAMBRE À
COUCHER, UNE SALLE DE BAIN ET UN STUDIO.
APPROPRIÉ POUR INSTALLATION DANS UNE
MAISON MOBILE.

CSA
C US

MASTER CONTRACT: 161746 CONTRAT-CADRE: 161746

MODEL / MODÈLE: NEFB24H

VOLTAGE: 120 VAC TENSION: 120VCA
FREQUENCY: 60Hz FRÉQUENCE: 60Hz
POWER: 1500W PUISSANCE: 1500W

DATE CODE: CODE DE DATE:

DESIGNED IN NORTH AMERICA DÉSIGNÉ AMÉRIQUE DU
BY WOLF STEEL LTD. NORD PAR WOLF STEEL LTD.
MADE IN CHINA FABRIQUÉ EN CHINE

WOLF STEEL LTD.
24 NAPOLEON ROAD,
BARRIE, ON, L4M 0G8 CANADA

SERIAL NUMBER/NO. DE SERIE: **NEFB** W385-2062 / A

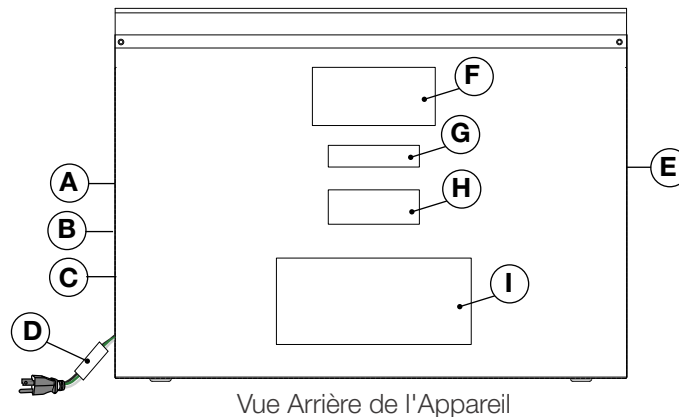
Pour l'emplacement de la plaque d'homologation, voir la section « emplacement des étiquettes ».

Cette illustration est à titre de référence seulement. Consultez la plaque d'homologation pour obtenir l'information précis.

note:

La plaque d'homologation doit rester avec l'appareil à tout instant. Elle ne doit pas être enlevée.

1.5 emplacement des étiquettes



Réf.	N° de Pièce	Description de l'Étiquette
A	W385-2017 *	« Surface Chaud »
B	W385-1946 *	« Ne Pas Couvrir »
C	W385-2133 *	« Avertissement »
D	W385-1943	« Avertissement »
E	W385-2003 **	Branchement par Câble
F	W385-2062	Plaque d'Homologation (NEFB24H)
	W385-2061	Plaque d'Homologation (NEFB27H)
	W385-2002	Plaque d'Homologation (NEFB29H)
G	W385-1944	« Avertissement »
H	W385-1945	« Avertissement »
I	W385-2009	Schéma de Câblage

* Située à l'avant de l'appareil.

** Située au côté de l'appareil.

2.0 emplacement de l'appareil

FR

! AVERTISSEMENT

- En raison des températures élevées, l'appareil devrait être placé loin des endroits passants. Gardez tous les articles combustibles tels que les meubles, les oreillers, la literie, le papier, les vêtements, et les rideaux à une distance d'au moins 36" (91,4cm) de la façade de l'appareil.
- Ne placez jamais l'appareil électrique à un endroit où il risque de tomber dans une baignoire ou tout autre réservoir contenant de l'eau.
- Portez les gants de protection et des lunettes de sécurité lors de l'installation et de l'entretien.
- Afin d'éviter tout contact avec de l'isolant que s'affaisse, l'appareil électrique ne doit pas être installé contre un coupe-vapeur ou de l'isolant à découvert. Une surchauffe localisée peut survenir et un incendie pourrait s'ensuivre.
- L'appareil électrique ne doit pas être exposé aux conditions extérieures (par ex. la pluie, la neige, etc.).

2.1 déballage et vérification de l'appareil

Retirez soigneusement l'appareil de boîte et enlevez les supports l'avant d'installation. Avant d'installer l'appareil, retirez tous les emballages et matériels et assurez-vous qu'il fonctionne bien en branchant le cordon d'alimentation dans une prise de courant mise à la terre de 120V, 15 amp.

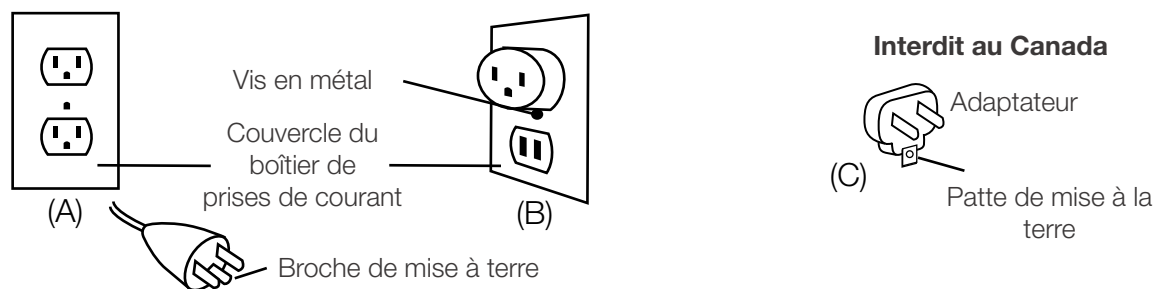
2.2 mise à la terre de l'appareil

Cet appareil doit être branché sur un circuit de 120 volts. Son cordon d'alimentation est équipé d'une fiche comme illustré en (A) ci-contre. Un adaptateur, tel qu'illustré en (C), est disponible pour brancher des fiches à trois branches avec mise à la terre dans des prises à deux fentes, tel qu'illustré en (B).

La patte verte de mise à la terre de l'adaptateur doit être branchée dans une prise de courant mise à la terre de façon permanente telle qu'un boîtier de prises de courant mis à la terre. L'adaptateur ne doit pas être utilisé si une prise de courant mise à la terre à trois fentes est disponible.

Pour débrancher l'appareil, mettez les boutons de contrôle à « OFF » puis retirez la fiche de la prise du courant.

Méthodes de mise à la terre



note:

Doit être connecté à un circuit de 15 ampères dédié. L'utilisation d'un cordon d'extension N'EST PAS autorisée.

! AVERTISSEMENT

- Risque d'incendie! Le cordon d'alimentation ne doit pas être coincé contre une arrête vive. Fixez le cordon pour éviter les chutes ou les accrochages afin de réduire le risque d'incendie, de choc électrique ou de blessures corporelles. Ne passez pas le cordon d'alimentation sous un tapis. Ne recouvrez pas le cordon avec des carpettes, des tapis de couloir ou autres revêtements similaires. Évitez de placer le cordon dans un endroit passant ou à un endroit où il risque de causer des chutes.
- Risque d'incendie! Pour prévenir les risques d'incendie, ne bloquez pas les entrées d'air et les sorties d'air de quelque manière que ce soit. Ne placez pas cet appareil sur une surface molle où les ouvertures pourraient se bloquer.
- Risque d'incendie! Ne soufflez pas ou ne placez pas d'isolant contre l'appareil.
- Cet appareil électrique a été testé et homologué pour usage avec les accessoires optionnels listés dans ce manuel uniquement. L'utilisation d'accessoires optionnels qui n'ont pas été spécifiquement testés pour cet appareil électrique annulera la garantie de l'appareil et/ou présentera des risques pour la sécurité.
- Si ces instructions ne sont pas suivies à la lettre, un incendie ou une explosion pourraient s'ensuivre, causant des dommages matériels, des blessures corporelles ou des pertes de vie. N'entreposez pas et n'utilisez pas d'essence ou autres vapeurs inflammables à proximité de cet appareil ou tout autre appareil.
- Étant donné la lourdeur de cet appareil, il est recommandé que deux personnes en fassent l'installation.
- Si votre appareil est équipé avec chauffage, assurez-vous que les ouvertures de la chauffage ne peut pas, dans aucune façon, être recouverts car il peut provoquer un incendie.
- N'exécutez pas le cordon d'alimentation horizontalement, directement en dessous de l'appareil.

Sélectionnez un endroit approprié qui ne soit pas susceptible d'être humide et qu'il soit éloigné des rideaux, des meubles, et des zones à fort trafic.

note:

Suivez tous les codes électriques nationaux et locaux.

3.1 dégagements minimaux aux matériaux combustibles

Les mesures sont prises depuis le verre avant.

Bas	0"	Dessus	0" to 2" (51mm) tablette
Côtés	1/4" (6mm)	Dessus	3" (76mm) au plafond
Arrière	1/4" (6mm)	Dessus	1/4" (6mm) à l'enceinte

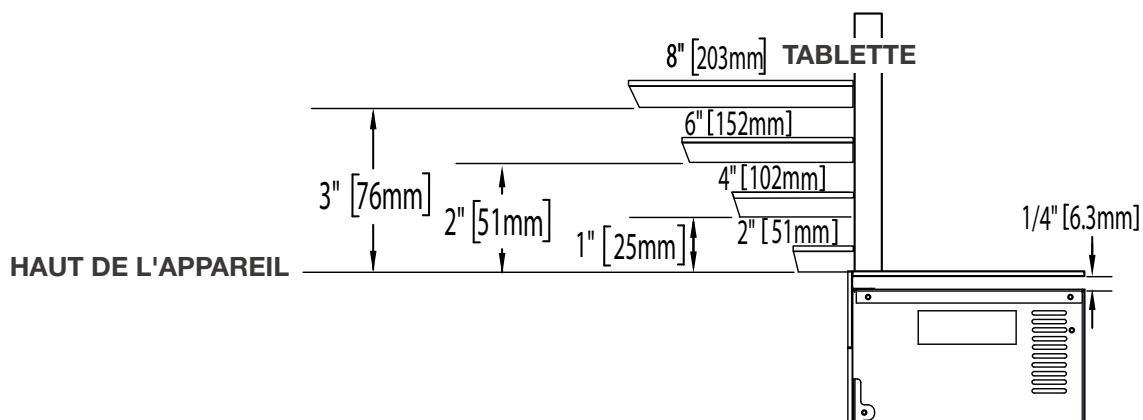
note:

L'interrupteur de panneau de contrôle est situé au côté droit supérieur de l'appareil. Assurez-vous que l'interrupteur est toujours accessible.

3.2 dégagements minimaux à la tablette

! AVERTISSEMENT

- Lorsque vous utilisez de la peinture ou de la laque pour finir la tablette, le peinture ou la laque doit être résistante à la chaleur pour éviter la décoloration.



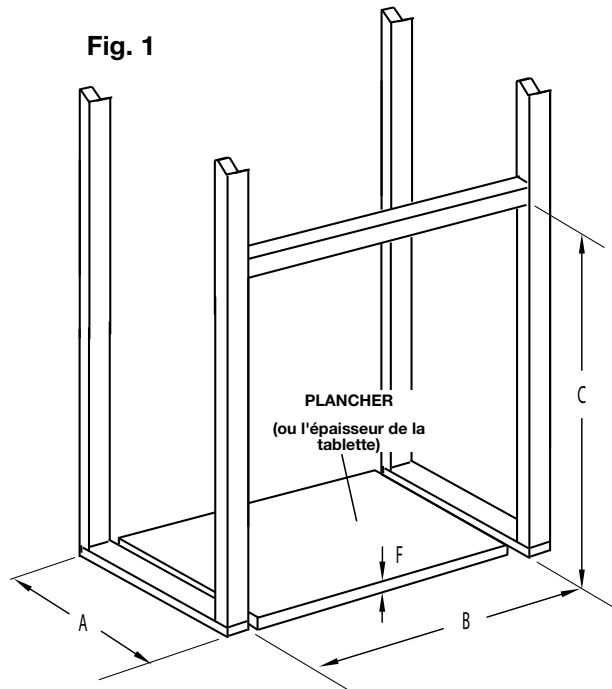
installation

FR

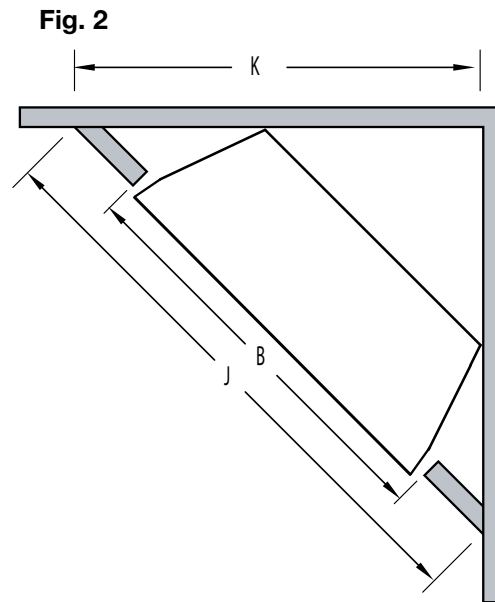
3.3 ossature

Préparez l'ossature selon les dimensions recommandées à **Figure 1**. Pour une ossature en coin, respectez les dimensions recommandées à **Figure 2**.

Sélectionnez en endroit non sujet à l'humidité et situé au moins de 36" (91,4cm) des articles combustibles, tels que les rideaux, meubles, la literie, le papier, etc.



Ossature Approximatif



Ossature Approximatif dans Un Coin

- A. L'appareil peut être installé dès que l'ouverture initiale est préparée et que le câblage a été acheminé du côté droit de l'enceinte.
- B. La connexion électrique doit être faite avant d'insérer l'appareil à sa place (voir la section « branchement par câble »).

	NEFB24H	NEFB27H	NEFB29H
A	9" (229mm)	10" (254mm)	10" (254mm)
B	23" (58,4cm)	26" (66cm)	28" (71,1cm)
C	17 1/4" (43,8cm) + F	18 1/4" (46,3cm) + F	19 3/4" (50,2cm) + F
J	41" (104,1cm)	44" (111,8cm)	46" (116,8cm)
K	29" (73,6cm)	31 1/2" (80cm)	32 1/2" (82,6cm)

3.3.1 branchement par câble

! AVERTISSEMENT

- Coupez l'alimentation électrique à l'appareil et laissez-le refroidir avant d'effectuer un entretien. Seul un technicien de service qualifié peut effectuer l'entretien ou la réparation de cet appareil électrique.

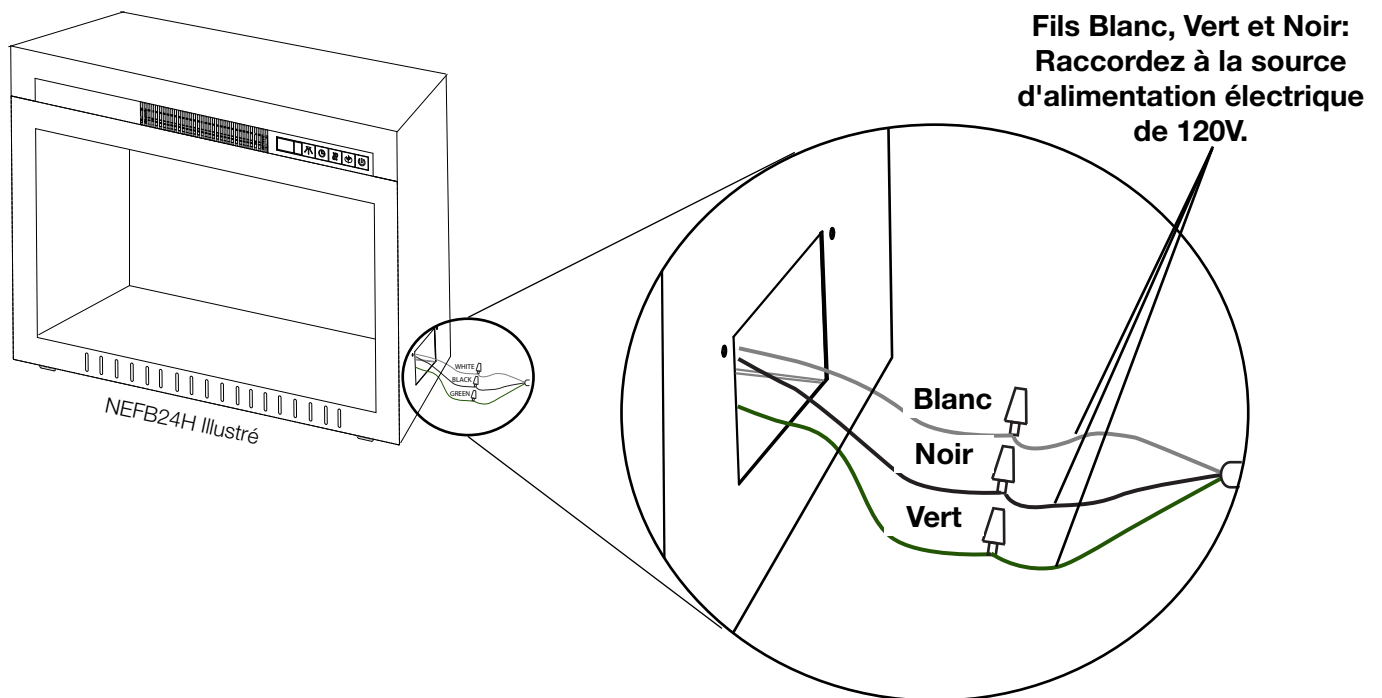
BRANCHEMENT PAR CÂBLE

Si c'est nécessaire de faire un branchement par câble, un électricien qualifié peut retirer le cordon d'alimentation de l'appareil et brancher ce dernier directement au câblage de la maison. L'alimentation de disjoncteurs et fils doit être classé pour 120V min. 15 amps.

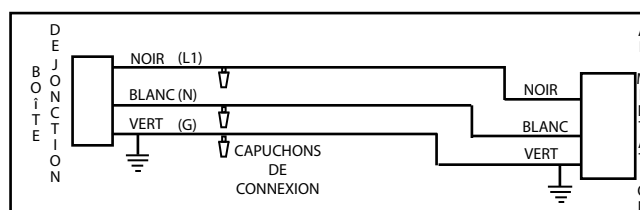
Si vous effectuez un branchement par câble, cet appareil doit être raccordé électriquement et mis à la terre conformément aux codes locaux. En l'absence de tels codes, utilisez la version courant du CODE CANADIEN DE L'ÉLECTRICITÉ CSA C22.1 au Canada ou du NATIONAL ELECTRICAL CODE ANSI/NFPA 70 aux États-Unis.

note:

Il y a trois fils pour la connexion de l'appareil: le blanc (neutre), le noir (alimentation L1), et le vert (mise à la terre) qui se connectent à l'alimentation 120V (panneau de disjoncteurs).



- Retirez la vis de fixation de la plaque de recouvrement, située sur le côté droit de l'appareil.
- Faites passer les fils d'alimentation à travers le trou perforé de 7/8" (22mm).
- Séparez l'un de l'autre les fils noir, blanc, et vert munis de capuchons de connexion.
- Retirez les capuchons de connexion et raccordez le fil noir (alimentation L1) au fil noir (alimentation L1) du circuit d'alimentation. Raccordez le fil blanc de l'appareil au fil blanc (neutre) du circuit d'alimentation. Raccordez le fil vert au fil de mise à la terre.
- Remplacez la plaque de recouvrement et fixez-la.



installation

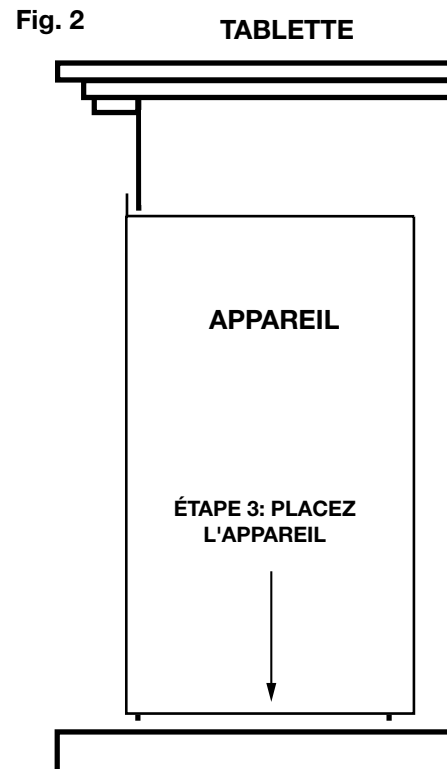
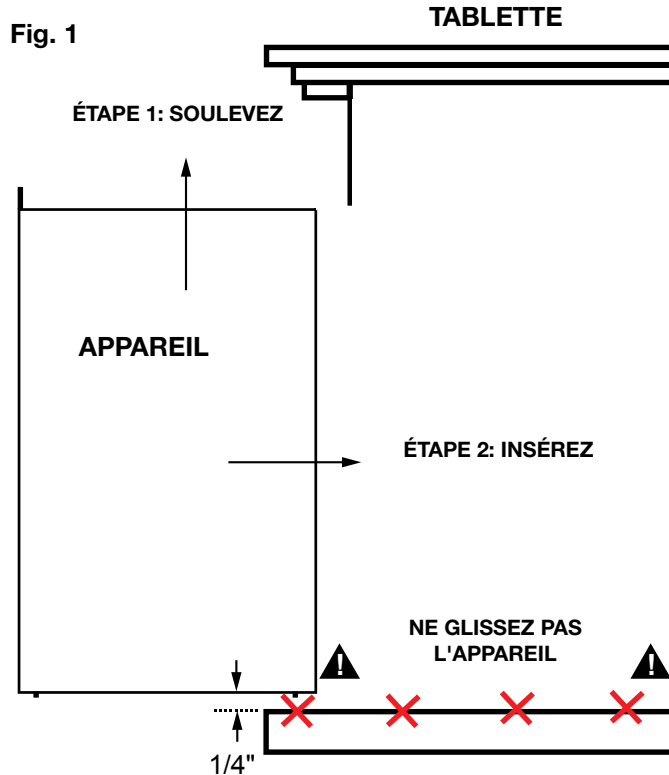
FR

3.3.2 installation de l'appareil

note:

Cet appareil est équipé de patins en nylon situés sur les quatre coins inférieurs. Pour éviter d'endommager la base de la tablette, soulevez délicatement l'appareil dans la tablette tout en évitant le contact avec le bord avant de la base de la tablette.

- A. Avec deux personnes, soulevez l'appareil et l'insérez dans l'ouverture, en laissant un espace de 3/8" (10mm) entre l'appareil et base du plancher afin de ne gratter pas le surface du plancher. Ne faites pas glissez ou poussez le bas de l'appareil sur le plancher (**Fig. 1**).
- B. Placez l'appareil vers le bas et en place (**Fig. 2**).
- C. Si l'appareil ne siègent pas à plat sur le sol ou la tablette, appliquez une cale (non fournie) sous les patins en nylon et ajustez jusqu'à ce niveau.



4.0 instructions de fonctionnement

FR

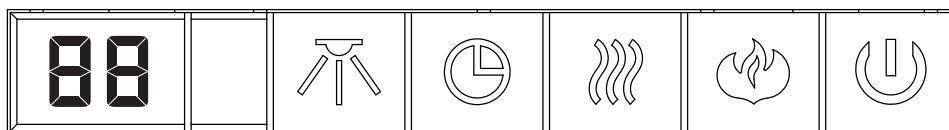
AVERTISSEMENT









- Assurez-vous que les disjoncteurs de la maison pour ce circuit soient allumés. Lorsque vous branchez d'abord l'appareil à une source d'alimentation de l'appareil effectuera une DEL vérifier. L'appareil se met à clignoter sur e en dehors pendant 5 secondes.

Lorsque l'appareil a été branché dans une prise de courant mise à la terre ou câblé à une source d'alimentation dédié de 120V, il est prêt à fonctionner.

4.1 utilisation du panneau de contrôle

Le panneau de contrôle est situé dans la partie supérieure avant de l'appareil.



Alimentation		Allume / éteint l'appareil.
Contrôle de Flamme & Lumière de Braise		Contrôle la luminosité de flamme et la lumière de braise. 5 Réglages: Flamme & braise éteint (F0), braise allume mais flamme éteint (LL), flamme & braise petite (F1), flamme & braise moyenne (F2), flamme et braise la plus brillante (F3).
Contrôle de Chauffage		Allume / éteint le chauffage et ventilateur. 4 Réglages: Chauffage & ventilateur éteint (H0), ventilateur allume (BL), chaleur faible (H1), chaleur fort (H2).
Minuterie		La minuterie peut être programmée pour contrôler l'appareil pour une durée spécifique (30 mins. minimum à 6h maximum).
Lumière Décorative (NEFB27H & NEFB29H seulement)		Contrôle les réglages de la lumière décorative. 4 Réglage: Lumière décorative éteint (d0), couleur blanc (d1), cycle automatiquement de blanc / orange / bleu / orange-bleu / blanc-orange / blanc-bleu (d2), verrouiller à la couleur désiré (d3). NOTE: Il faudra 8,5 secondes de passer d'une couleur à l'autre (le réglage d2).
Interrupteur F° / C°		Contrôle le format de température (Fahrenheit ou Celsius). Appuyez et maintenez enfoncé le bouton de flamme pendant 5 secondes.
Verrouillage de Chauffage		Le bouton de chauffage peut être verrouillé ou déverrouillé en le maintenant enfoncé le bouton de chauffage pendant 5 secondes.
Contrôle de Température		Appuyez et maintenez le bouton de minuterie. Cela va changer le bouton pour contrôle de la température ou vice versa. 7 Réglages: 16°C (61°F), 18°C (64°F), 21°C (70°F), 24°C (75°F), 27°C (81°F), 29°C (85°F) et OFF.

instructions de fonctionnement

FR







4.2 utilisation de la télécommande

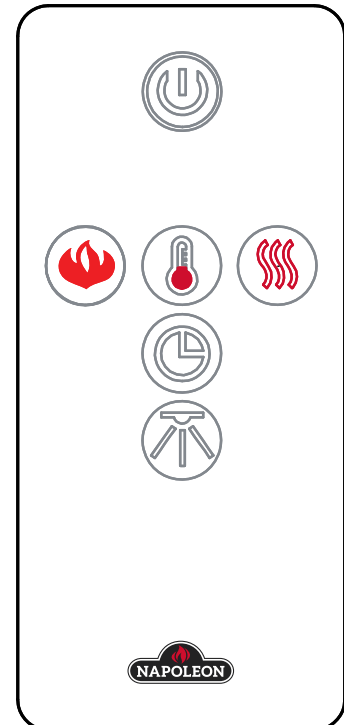
AVERTISSEMENT

- Afin d'éviter les risques de suffocation, gardez le sac d'emballage loin des bébés et des jeunes enfants. Ne le laissez pas traîner dans les berceaux, les lits, ou les poussettes, ou les parcs de jeu. Ce sac n'est pas un jouet. Nouez-le avant de le jeter.

note:

Lors de l'utilisation de la télécommande, vous devez la pointer vers le centre sur le devant de l'appareil. Pour que la télécommande fonctionne bien, elle doit toujours être à moins de 6m (20pi) de l'appareil.

Alimentation		Allume / éteint l'appareil.
Contrôle de Flamme & Lumière de Braise		Contrôle la luminosité de flamme et la lumière de braise. 5 Réglages: Flamme & braise éteint (F0), braise allume mais flamme éteint (LL), flamme & braise petite (F1), flamme & braise moyenne (F2), flamme et braise la plus brillante (F3).
Thermostat		Contrôle le thermostat. 7 Réglages: 16°C (61°F), 18°C (64°F), 21°C (70°F), 24°C (75°F), 27°C (81°F), 29°C (85°F) et OFF. NOTE: Lorsque la température ambiante est deux degré inférieur de la température réglée, le chauffage se met en marche.
Chauffage & Ventilateur		Contrôle le chauffage et ventilateur. 4 Réglages: Chauffage & ventilateur éteint (HO), ventilateur allume (BL), chaleur faible (H1), chaleur fort (H2).
Minuterie		La minuterie peut être programmée pour contrôler l'appareil pour une durée spécifique (30 mins. minimum à 6h maximum).
Lumière Décorative (NEFB27H & NEFB29H seulement)		Contrôle les réglages de la lumière décorative. 4 Réglages: Lumière décorative éteint (d0), couleur blanc (d1), cycle automatiquement de blanc / orange / bleu / orange-bleu / blanc-orange / blanc-bleu / (d2), verrouiller à la couleur désiré (d3). NOTE: Il faudra 8,5 secondes de passer d'une couleur à l'autre (le réglage D2).



Télécommande de NEFB27H & NEFB29H illustrée

4.3 installation des piles de la télécommande

! AVERTISSEMENT

- Cette télécommande nécessite des piles bouton qui sont dangereuses pour les jeunes enfants.
- **AVERTISSEMENT! GARDEZ LES PILES DE LA PORTÉE DES ENFANTS.**
- L'ingestion peut entraîner des blessures graves ou la mort dans moins de 2 heures, en raison des brûlures chimiques et de la perforation potentielle de l'oesophage.
- Si vous pensez que votre enfant a avalé ou inséré une pile bouton, recherchez immédiatement une assistance médicale urgente.
- Examinez les appareils et assurez-vous que le compartiment de la pile est bien fixé (c.à.d. que la vis ou autre attache mécanique est serrée). Ne pas utiliser si le compartiment n'est pas sécurisé.
- Éliminez les piles bouton usagées immédiatement et en toute sécurité. Les piles plates peuvent encore être dangereuses.
- Enseignez aux autres les risques associées aux piles bouton et la façon de garder leurs enfants en sécurité.



1. Pour remplacer la pile existante, retirez la sauvegarde de pile.
2. Pour retirer la sauvegarde de pile, tournez la télécommande sur le côté avant. Faites glisser la sauvegarde de pile vers l'extérieur.
3. Remplacez la sauvegarde de pile existante avec une pile nouvelle (type CR 2025). Faites glisser la sauvegarde de pile dans sa position originale.
4. La sauvegarde de pile est bien fixé à la télécommande lorsque vous entendez un « CLIC ».



Les piles doivent être mises au rebut conformément aux lois et à la réglementation locales. Certaines piles peuvent être recyclées dans votre centre de recyclage local. Renseignez-vous auprès de votre municipalité au sujet des directives de recyclage.

5.0 finitions

FR

! AVERTISSEMENT

- Le raccordement par câble doit être complété avant que la finition afin d'éviter toute reconstruction.
- Les entrées d'air et les sorties d'air de l'appareil ne doivent jamais être couvertes.

5.1 enlèvement et installation de la porte vitrée

! AVERTISSEMENT

- Les matériaux de façade et de finition ne doivent pas nuire à la circulation de l'air dans les ouvertures d'air et les persiennes, ni au fonctionnement des persiennes ou des portes. Ils ne doivent pas non plus entraver l'accès pour l'entretien. Respectez tous les dégagements aux matériaux combustibles.
- Avant d'enlever la porte, éteignez l'appareil et attendez que ce dernier soit froid au toucher. Les portes sont lourdes et fragiles; manipulez avec soin.

- A. Retirez les quatre vis de l'appareil (**Fig. 5-1**).
- B. Retirez le verre avant et le placez sur une surface douce et non-abrasive.
- C. Inversez ces étapes de réinstaller le verre avant.

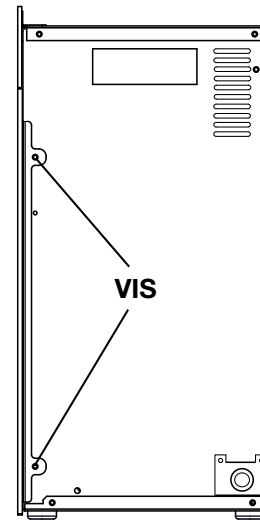


Fig. 5-1

5.2 enlèvement de bûche, grille, et lit de braise

Pour Modèle NEFB24H et NEFB27H:

- A. Retirez les 4 vis servant à fixer le lit de braise au côtés (et bas, s'il y a lieu) de l'appareil (**Fig. 5-2**).

note:

Certains modèles n'ont que deux vis.

- B. Soulevez la bûche, la grille, et le lit de braise de l'appareil et les retirez.

Pour Modèle NEFB29H:

- A. Retirez les matériaux d'emballages servant à fixer l'assemblage de la bûche, la grille, et le lit de braise à l'appareil.
- B. Pincez l'arrière de l'assemblage, puis le soulevez de l'appareil.

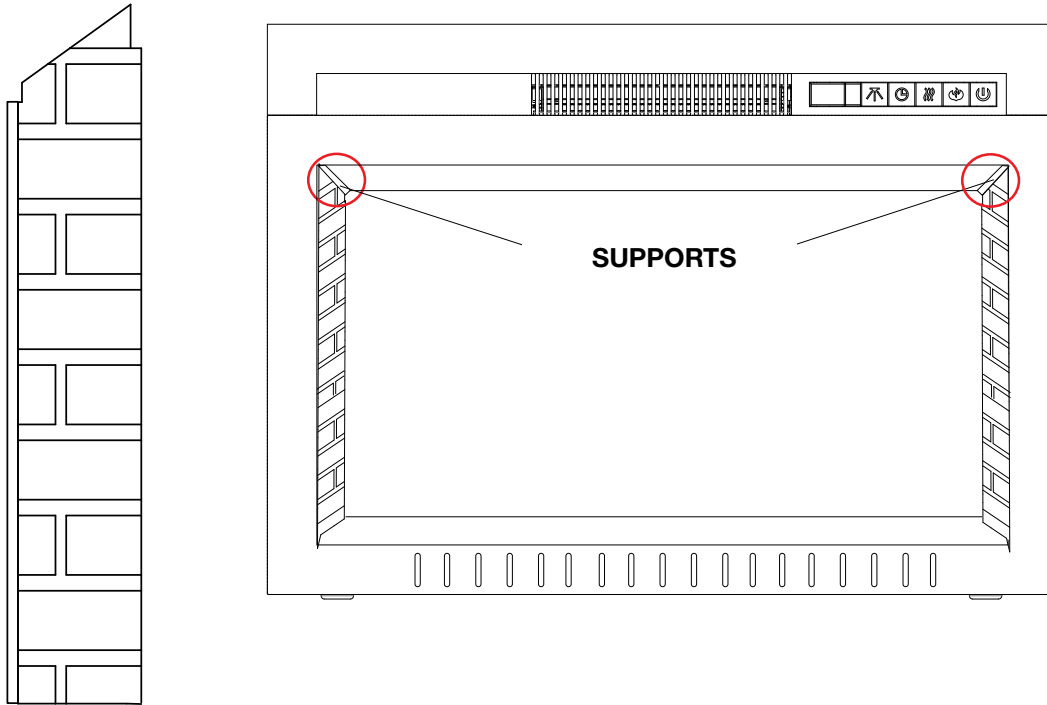


NEFB27H Illustré

Fig. 5-2

5.3 installation et enlèvement de panneau en brique (NEFB29H seulement)

- A. Glissez les panneaux en place et les sécurisez avec le support.
- B. Assurez-vous que les panneaux en brique sont placés appropriatement dans l'appareil, et ne sont pas inclinés ou en train de dépasser l'appareil.



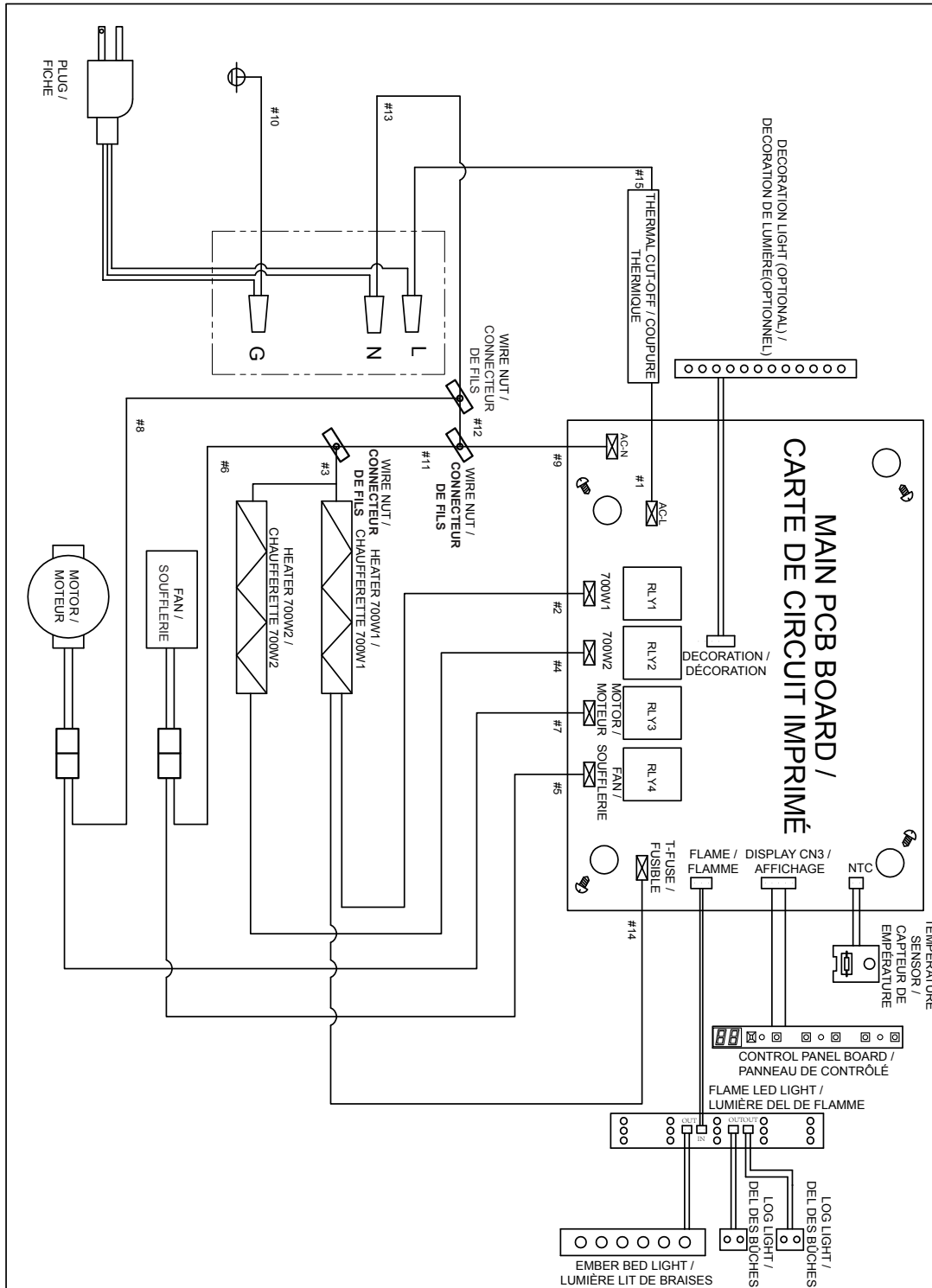
6.0 information électrique

FR

⚠ AVERTISSEMENT

- Coupez l'alimentation électrique à l'appareil et laissez-le refroidir avant d'effectuer un entretien. Seul un technicien de service qualifié peut effectuer l'entretien ou la réparation de cet appareil électrique.

6.1 schéma de câblage



AVERTISSEMENT

- Omettre de positionner les pièces conformément à ce manuel ou d'utiliser uniquement des pièces spécifiquement approuvées pour cet appareil peut causer des dommages matériels ou des blessures corporelles.

Contactez votre détaillant pour les questions concernant les prix et la disponibilité des pièces de remplacement. Normalement, toutes les pièces peuvent être commandées chez votre détaillant autorisé.

Pour un remplacement de pièce sous garantie, une photocopie de la facture originale sera requise afin de pouvoir honorer la demande.

Lorsque vous commandez des pièces, donnez toujours l'information suivante:

- Modèle et numéro de série de l'appareil
- Date d'installation de l'appareil
- Numéro de la pièce
- Description de la pièce
- Fini

Pièces, numéro des pièces et s'il soit disponible peut changer sans préavis.

Parties identifiées comme garnie seront livrés dans 2 à 5 jours pour la plupart des destinations de livraison.

Pièces non identifiées que stockés seront livrés dans un délai de 2 à 4 semaines pour la plupart des cas.

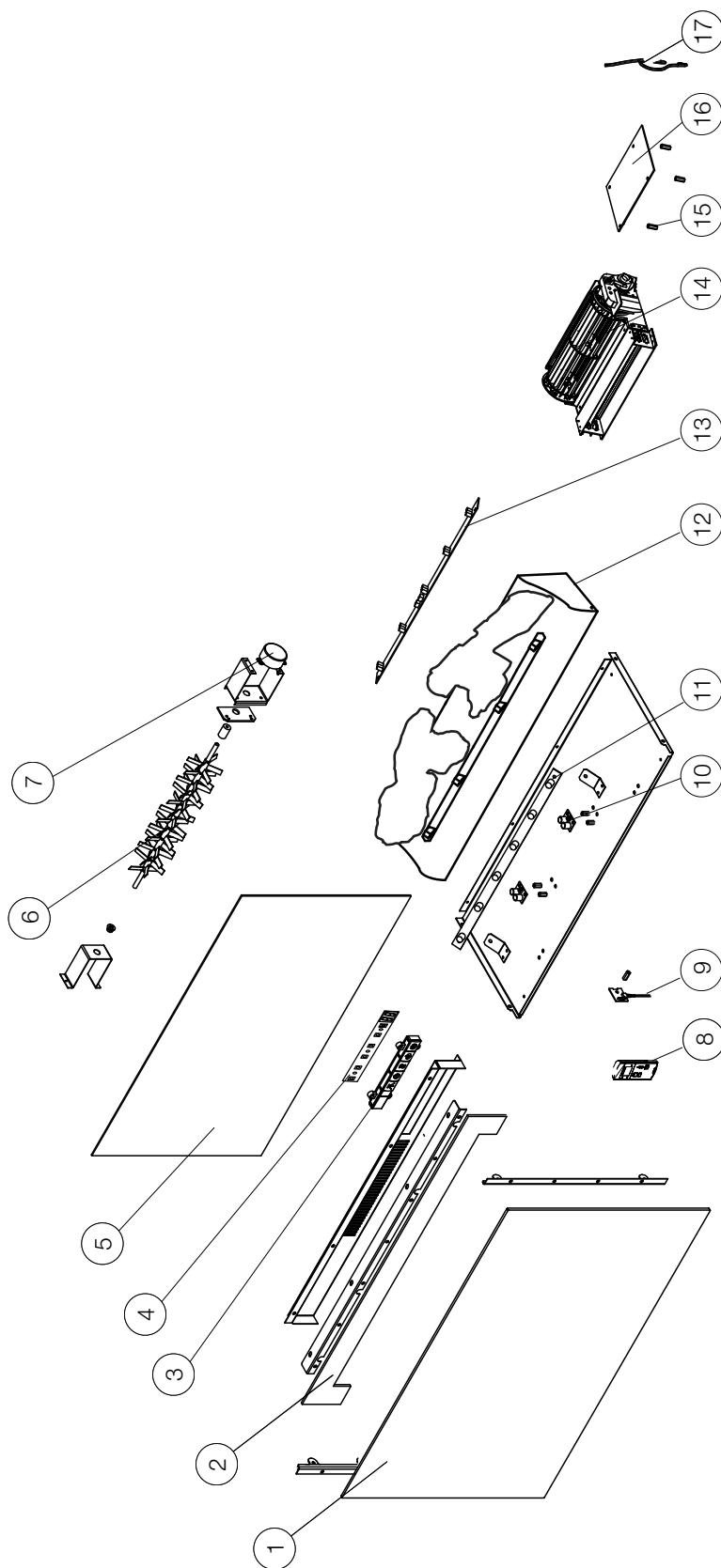
Pièces identifiées comme « SO » sont commande spéciale et peuvent prendre jusqu'à 90 jours pour la livraison.

Pour le service après-vente, veuillez contacter 1-866-820-8686.

note:

Utilisez de prudence lorsque vous enlevez et jetez des débris de verre ou des composants endommagés. Assurez-vous d'aspirer tous les débris de verre à l'intérieur de l'appareil avant de la faire fonctionner.

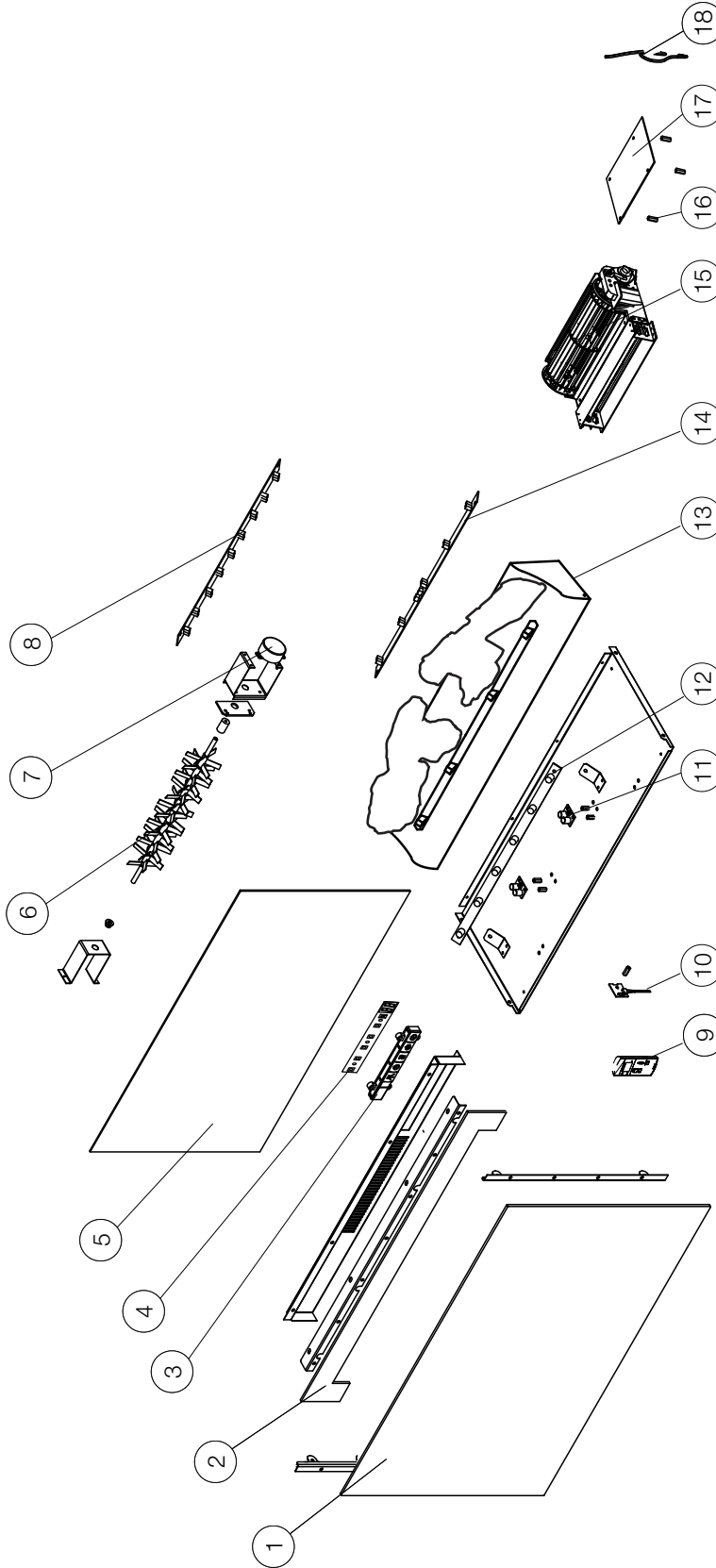
7.1 vue d'ensemble de NEFB24H



Ces articles peuvent différer de ceux illustrés.

Réf.	No. de Pièce	Description	En Stock	Réf.	No. de Pièce	Description	En Stock
1	G010-0076-SER	Verre Avant	Oui	9	G190-0004-SER	Détecteur de Température	Oui
2	G010-0084-SER	En-Tête Avant	Oui	10	G405-0012-SER	DEL de Bûche	Oui
3	G010-0081-SER	Panneau de Contrôle, NEFB24H	Oui	11	G405-0011-SER	DEL de Lit de Braise	Oui
4	G190-0006-SER	Planche de Panneau de Contrôle	Oui	12	G135-0011-SER	Lit de Braise	Oui
5	G105-0006-SER	Panneau de Flamme en Plastique	Oui	13	G405-0010-SER	DEL de Flamme	Oui
6	W010-3145-SER	Réflecteur	Oui	14	G010-0079-SER	Assemblage de Chauffage & Ventilateur	Oui
7	W435-0059-SER	Moteur Synchrone	Oui	15	W615-0135-SER	Espaceur, 4 Pos	Oui
8	G660-0004-SER	Récepteur de Télécommande	Oui	16	G190-0005-SER	Panneau de PCB Principale	Oui
				17	G750-0032-SER	Assemblage de Fil	Oui

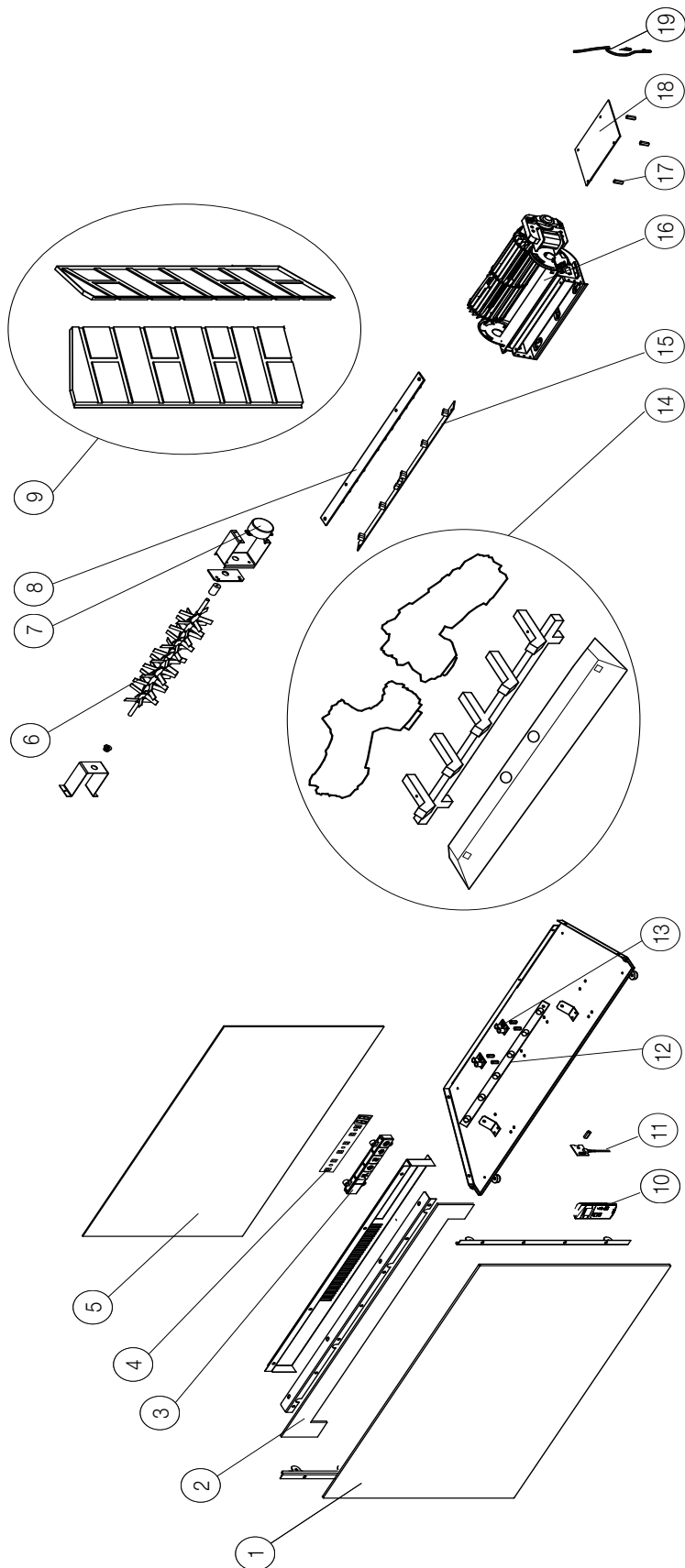
7.2 vue d'ensemble de NEFB27H



Ces articles peuvent différer de ceux illustrés.

Réf.	No. de Pièce	Description	En Stock	Réf.	No. de Pièce	Description	En Stock
1	G010-0077-SER	Verre Avant	Oui	10	G190-0004-SER	Détecteur de Température	Oui
2	G010-0085-SER	En-Tête Avant	Oui	11	G405-0012-SER	DEL de Bûche	Oui
3	G010-0080-SER	Panneau de Contrôle, NEFB29H	Oui	12	G405-0011-SER	DEL de Lit de Braise	Oui
4	G190-0006-SER	Planche de Panneau de Contrôle	Oui	13	G135-0012-SER	Lit de Braise	Oui
5	G105-0007-SER	Panneau de Flamme de Plastique	Oui	14	G405-0010-SER	DEL de Flamme	Oui
6	G010-0082-SER	Réflecteur	Oui	15	G010-0079-SER	Assemblage de Chauffage & Ventilateur	Oui
7	W435-0059-SER	Moteur Synchron	Oui	16	W615-0135-SER	Espaceur, 4 Pos	Oui
8	G405-0007-SER	DEL de Lumière de Veille	Oui	17	G190-0005-SER	Panneau PCB Principal	Oui
9	G660-0005-SER	Récepteur de Télécommande	Oui	18	G750-0032-SER	Assemblage de Fil	Oui

7.3 vue d'ensemble de NEFB29H



Ces articles peuvent différer de ceux illustrés.

Réf.	No. de Pièce	Description	En Stock	Réf.	No. de Pièce	Description	En Stock
1	G010-0078-SER	Verre Avant	Oui	10	G660-0005-SER	Récepteur de Télécommande	Oui
2	G010-0086-SER	En-Tête Avant	Oui	11	G190-0004-SER	Détecteur de Température	Oui
3	G010-0080-SER	Panneau de Contrôle, NEFB29H	Oui	12	G405-0011-SER	DEL de Lit de Braise	Oui
4	G190-0006-SER	Planche de Panneau de Contrôle	Oui	13	G135-0012-SER	DEL de Bûche	Oui
5	G105-0008-SER	Panneau de Flamme en Plastique	Oui	14	G010-0083-SER	Assemblage de Bûche/Braise/Grille	Oui
6	W010-3145-SER	Réflecteur	Oui	15	G405-0010-SER	DEL de Flamme	Oui
7	W435-0059-SER	Moteur Synchronisé	Oui	16	G010-0079-SER	Assemblage de Chauffage et Ventilateur	Oui
8	G405-0007-SER	DEL de Lumière de Veille	Oui	17	W615-0135-SER	Espaceur, 4 Pcs	Oui
9	G010-0090-SER	Ensemble de Panneau en Brique	Oui	18	G190-0005-SER	Panneau PCB Principal	Oui
				19	G750-0032-SER	Assemblage de Fil	Oui

AVERTISSEMENT

- Coupez l'alimentation électrique à l'appareil et laissez-le refroidir avant d'effectuer en entretien. Seulement un technicien de service qualifié peut effectuer l'entretien ou la réparation de cet appareil électrique.

symptôme	problème	solution
L'appareil ne s'allume pas lorsque l'interrupteur est mis à « on ».	L'appareil n'est pas branché dans une prise de courant.	Vérifiez la prise, et branchez dans l'appareil si nécessaire.
	Branchement par câble sont incorrectes (s'il y a lieu).	Voir la section « branchement par câble ».
	L'appareil a surchauffé et le dispositif de sécurité a entraîné le déclenchement de l'interrupteur thermique.	Débranchez l'appareil et le disjoncteur, laissez-le refroidir pendant 15 minutes, puis branchez l'appareil ou allumez le disjoncteur.
	Issue avec le panneau PCB principal.	Inspectez la carte de circuit imprimé et remplacez-le si nécessaire.
L'appareil s'éteint et ne se rallume pas.	Le disjoncteur de la maison s'est déclenché.	Réinitialisez le disjoncteur.
	Le fusible de l'appareil a éteint.	Remplacez le fusible.
	L'appareil a surchauffé et le dispositif de sécurité a entraîné le déclenchement de l'interrupteur thermique.	Débranchez l'appareil et le disjoncteur, laissez-le refroidir pendant 15 minutes, puis branchez l'appareil ou allumez le disjoncteur.
L'appareil est revenue à les paramètres par défaut.	Panne de courant.	Reprogramme l'appareil au paramètres d'origine (pas applicable avec tous les appareils).
La télécommande ne fonctionne pas.	Les piles sont faibles.	Remplacez les piles de la télécommande.
	Dysfonctionnement du récepteur à distance.	Assurez-vous que le récepteur à distance n'est pas bloqué. Remplacez le panneau.
L'appareil n'émet aucune chaleur.	Réglage du chauffage n'est pas sélectionné.	Voir la section « fonctionnement ».
	La chauffage a été verrouillé.	Voir la section « fonctionnement ».
	La température ambiante est plus élevée que le réglage de l'appareil (si réglée au température de la chambre).	Réinitialisez le réglage pour la température.
	L'appareil a surchauffé et le dispositif de sécurité a entraîné le déclenchement de l'interrupteur thermique.	Débranchez l'alimentation ou éteignez le disjoncteur. Laissez l'appareil refroidir pendant 15 minutes.
	Branchement par câble sont incorrectes.	Voir la section « branchement par câble ».
	Problème avec le chauffage.	Inspectez la soufflerie et le chauffage, et les remplacez si nécessaire.
Le chauffage s'éteint automatiquement.	La salle est trop chaude.	L'appareil est équipé d'un thermostat intégré et s'éteindra automatiquement lorsque la température programmée sera atteinte. Il s'allumera automatiquement lorsque la température de la pièce descendra en dessous de la température programmée.

guide de dépannage

FR

symptôme	problème	solution
La luminosité du jeu de flammes est faible ou inexistante.	Éclat de flamme n'est pas sélectionné.	Voir la section « fonctionnement ».
	Problème avec les flamme DELs.	Vérifiez les DELS et remplacez-les si nécessaire.
	Problème avec le panneau PCB principal.	Vérifiez la panneau PCB principal et remplacez-le si nécessaire.
La flamme ne bouge pas.	Le moteur est calé / ne fonctionne pas.	Cycle de marche / arrêt. Si le problème persiste, consultez votre détaillant.
Le lit de braise s'allume pas ou ne diminue pas en luminosité.	Luminosité n'est pas sélectionné.	Voir la section « fonctionnement ».
	Problème avec les DEL de braises.	Vérifiez les DELs de braise et remplacez-les si nécessaire.
	Problème avec la panneau PCB principal.	Vérifiez le panneau PCB principal et remplacez-le si nécessaire.
DEL clignote « OH ».	L'appareil a surchauffé et le dispositif de sécurité a entraîné le déclenchement de l'interrupteur thermique.	Débranchez l'appareil et le disjoncteur, laissez-le refroidir pendant 15 minutes, puis branchez l'appareil ou allumez le disjoncteur. Si le problème persiste, consultez votre détaillant.

Les appareils électriques **Napoléon** sont fabriqués conformément aux normes strictes du Système de Gestion de la Qualité mondialement reconnu ISO 9001 : 2015.

Les produits **Napoléon** sont conçus avec des composants et des matériaux de qualité supérieure, assemblés par des artisans qualifiés qui sont fiers de leur travail. Une fois assemblé, chaque appareil est soigneusement inspecté par un technicien. Une agence de service ou un distributeur qualifié(e) et autorisé(e) avant d'être emballé pour garantir que vous, le client, recevez le produit de qualité dont vous vous attendez de **Napoléon**.

Garantie Standard Des Appareils Électriques Napoléon

Les composants électriques et les pièces soumises à l'usure sont couverts et **Napoléon** fournira gratuitement les pièces de rechange durant le première année de la garantie standard. Ceci couvre: le ventilateur/l'appareil de chauffage, les moteurs, les interrupteurs, les roulements à billes en nylon, les télécommandes et les lumières de DEL.*

Les ampoules et fusibles **NE SONT PAS** couverts par la garantie.

Les coûts de main-d'oeuvre relatifs aux réparations garanties ne sont pas couverts.

*La fabrication de chaque modèle varie. La garantie s'applique uniquement aux composants disponibles avec votre appareil spécifique.

Conditions et Limitations

Napoléon garantit ses produits contre les défauts de fabrication à l'acheteur d'origine seulement. L'enregistrement de la garantie n'est pas nécessaire. Fournissez simplement une preuve d'achat ainsi que le modèle et le numéro de série afin d'effectuer une réclamation de garantie. L'achat doit avoir été fait par l'entremise d'un détaillant **Napoléon** autorisé et sous réserve des conditions et limitations suivantes:

La couverture de la garantie débute à partir de la date d'installation originale.

Cette garantie du fabricant n'est pas transférable et ne peut être prolongée par aucun de nos représentants.

L'installation doit être faite conformément aux instructions d'installation incluses avec le produit et à tous les codes d'incendie et de construction locaux et nationaux.

Cette garantie standard ne couvre pas les dommages causés par un mauvais usage, un manque d'entretien, un accident, des altérations, des abus, ou de la négligence, et l'installation de pièces d'autres fabricants annulera cette garantie.

Cette garantie standard ne couvre pas non plus les égratignures, les bossellements, la corrosion ou la décoloration causée par une chaleur excessive, des produits d'entretien chimiques et abrasifs, ou l'écaillage de pièces en porcelaine émaillée, le bris par manipulation des bûches PHAZER^{MD}.

Au cours du première année seulement, cette garantie s'étend à la réparation ou au remplacement des pièces garanties dont les matériaux ou la fabrication sont défectueux à la condition que le produit ait été utilisé conformément aux instructions de fonctionnement et dans des conditions normales.

Napoléon ne sera pas responsable de l'installation, de la main d'œuvre, ou autres coûts ou dépenses relatives à la réinstallation d'une pièce garantie, et de telles dépenses ne sont pas couvertes par cette garantie. Nonobstant toutes les dispositions contenues dans cette garantie standard, la responsabilité de **Napoléon** sous cette garantie est définie comme ci-dessus et elle ne s'étendra à aucun dommage accidentel, consécutif, ou indirect.

Cette garantie définit l'obligation et la responsabilité de **Napoléon** en ce qui concerne l'appareil électrique **Napoléon**.

Toute autre garantie énoncée ou implicite en ce qui concerne ce produit, ses composants ou accessoires est exclue.

Napoléon n'endosse, ni n'autorise aucun tiers à assumer en son nom, toutes autres responsabilités concernant la vente de ce produit.

Tous dommages causés à l'appareil, aux garnitures en laiton ou autres composants par l'eau, les dommages causés par les intempéries, de longues périodes d'humidité, la condensation, des produits chimiques, ou produits d'entretien nuisibles ne seront pas la responsabilité de **Napoléon**.

Napoléon se réserve le droit de demander à son représentant d'inspecter tout produit ou pièce avant d'honorer toute réclamation.

Toutes les pièces remplacées en vertu de la politique de la garantie standard ne peuvent faire l'objet que d'une seule réclamation.

Toutes les pièces remplacées au titre de la garantie seront couvertes pour une période de 90 jours à partir de leur date d'installation.

Le fabricant peut exiger que les pièces défectueuses ou les produits soient retournés ou que des photos numériques soient fournies pour valider la réclamation. Les produits retournés doivent être expédiés port payé au fabricant pour une inspection en usine. Si un produit est déclaré défectueux, le fabricant le réparera ou le remplacera.

Avant d'expédier votre appareil ou les pièces défectueuses, votre détaillant doit obtenir un numéro d'autorisation. Toute marchandise expédiée à notre usine sans autorisation sera refusée et retournée à l'expéditeur.

Les coûts d'expédition ne sont pas couverts par cette garantie.

Des frais de service supplémentaires peuvent être appliqués si vous cherchez à obtenir des services au titre de la garantie auprès d'un détaillant.

Toutes les spécifications et les conceptions sont sujettes à modifications sans préavis en raison des améliorations constantes apportées aux produits. **Napoléon** est une marque de commerce déposée de Wolf Steel Ltée.

NAPOLÉON CÉLÈBRE PLUS DE 40 ANS D'EXISTENCE CONSACRÉS À LA CONCEPTION DE PRODUITS DE CONFORT



7200, Route Transcanadienne, Montréal, Québec H4T 1A3
24 Napoleon Road, Barrie, Ontario, Canada L4M 0G8
214 Bayview Drive, Barrie, Ontario, Canada L4N 4Y8
103 Miller Drive, Crittenden, Kentucky, USA 41030
De Riemsdijk 22, 4004 LC Tiel, Pays-Bas
Téléphone: 1-866-820-8686
napoleon.com