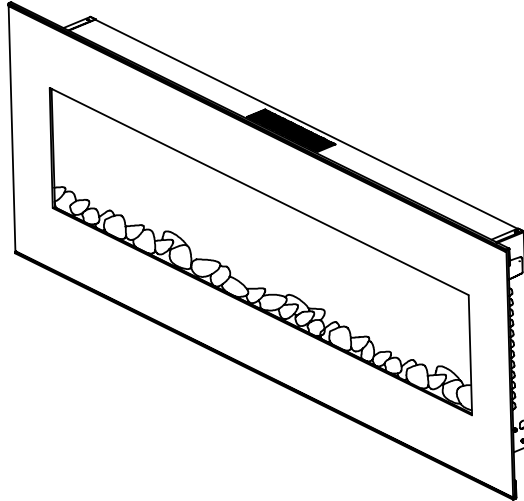




Installation and Operation Instructions

54" AND 60" LINEAR ELECTRIC FIREPLACES

54" and 60" Linear Electric Fireplaces
P/N 900264-00 Rev. C 09/2018



MODELS

Arcturus54	Artesia54	ERC4054	MPE-54L
Arcturus60	Artesia60	ERC4060	MPE-60L

This manual will enable you to obtain a safe, efficient and dependable installation and operation of your electric fireplace. Please read and understand these instructions before beginning your installation.

Do not alter or modify this fireplace or its components under any circumstances. Any modification or alteration of the fireplace system, including but not limited to the fireplace and accessories, may void the warranty, listings and approvals of this system and could result in an unsafe and potentially dangerous installation.

FOR YOUR SAFETY

DO NOT STORE OR USE GASOLINE OR OTHER FLAMMABLE VAPORS AND LIQUIDS IN THE VICINITY OF THIS OR ANY OTHER APPLIANCE.

EXPOSED SURFACES OF THE ELECTRONIC FIREPLACE ADJACENT TO HEATERS AND BLOWERS MAY BECOME HOT. CARE SHOULD BE TAKEN TO AVOID CONTACT WITH BLOWER HEAT DISCHARGE OUTLETS SUCH AS THE ONE ON THE TOP OF THIS FIREPLACE.

IF THE INFORMATION IN THIS MANUAL IS NOT FOLLOWED EXACTLY, AN ELECTRICAL SHOCK OR FIRE MAY RESULT CAUSING PROPERTY DAMAGE, PERSONAL INJURY OR LOSS OF LIFE.

BEFORE STARTING YOUR FIREPLACE INSTALLATION, READ THIS INSTALLATION AND OPERATION MANUAL VERY CAREFULLY TO ENSURE YOU UNDERSTAND IT COMPLETELY AND IN ENTIRETY. FAILURE TO FOLLOW THESE INSTRUCTIONS MAY RESULT IN A POSSIBLE ELECTRIC SHOCK, FIRE HAZARD AND/OR INJURY OR PROPERTY DAMAGE AND WILL VOID THE WARRANTY.

EXTREME CAUTION IS NECESSARY WHEN ANY HEATER IS USED BY OR NEAR CHILDREN OR INVALIDS AND WHENEVER THE HEATER IS LEFT OPERATING AND UNATTENDED.

INSTALLER: Leave this manual with the appliance
CONSUMER: Retain this manual for future reference

INSTALLATEUR : Laissez cette notice avec l'appareil.
CONSOMMATEUR : Conservez cette notice pour consultation ultérieure.

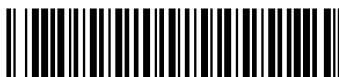
*A French manual is available upon request. Order P/N 900278-00
Ce manuel d'installation est disponible en français, simplement en faire la demande. Numéro de la pièce 900278-00.*

IMPORTANT! TO ASSURE PROPER ALIGNMENT, INSTALL THIS FIREPLACE IN A SQUARE AND PLUMB CONDITION, USING SHIMS AS NECESSARY AT SIDES.

IHP electric fireplaces are designed for use as a decorative appliance and/or as a supplemental heater. They are not intended for continuous use as a primary heat source.



Report # 1906849



P900264-00

IMPORTANT SAFETY AND WARNING INFORMATION

READ THIS MANUAL IN ITS ENTIRETY AND UNDERSTAND THESE RULES TO FOLLOW FOR SAFETY.

WARNING

If the information in this manual is not followed exactly, an electrical shock or fire may result causing property damage, personal injury or loss of life.

IMPORTANT

Before starting your fireplace installation, read this installation and operation manual very carefully to ensure you understand it completely and in entirety. Failure to follow these instructions may result in a possible electric shock, fire hazard and/or injury or property damage and will void the warranty.

CAUTION

Extreme caution is necessary when any heater is used by or near children or invalids and whenever the heater is left operating and unattended.

IMPORTANT

These fireplaces are designed as supplemental heaters. Therefore, it is advisable to have an alternate heat source when installed in a dwelling.

IMPORTANT

Cold climate installation recommendation: when installing this fireplace against a non-insulated exterior wall or chase, it is mandatory that the outer walls be insulated to conform to applicable insulation codes.

WARNING

This product can expose you to chemicals including Carbon Black, which is known to the State of California to cause cancer, and Bisphenol A (BPA), which is known to the State of California to cause birth defects or other reproductive harm. For more information go to www.P65Warnings.ca.gov

WARNING

To prevent contact with sagging or loose insulation, the appliance must not be installed against vapor barriers or exposed insulation. Localized overheating could occur and a fire could result. Insulation and a vapor barrier should be placed a minimum of 2 inches from the appliance.

TO PREVENT A POSSIBLE FIRE, DO NOT BLOCK AIR INTAKES OR EXHAUSTS IN ANY WAY. DO NOT USE NEAR SOFT SURFACES, LIKE A PILLOW, WHERE OPENINGS MAY BECOME BLOCKED.

THIS APPLIANCE MAY BECOME HOT WHEN IN USE. TO AVOID BURNS, DO NOT LET BARE SKIN TOUCH HOT SURFACES. KEEP COMBUSTIBLE MATERIALS, SUCH AS FURNITURE, PILLOWS, BEDDING, PAPERS, CLOTHES AND CURTAINS AT LEAST 3 FEET (1 METER) FROM THE FRONT OF THIS APPLIANCE.

DO NOT OPERATE ANY HEATER WITH DAMAGED WIRING OR CONNECTORS, OR AFTER THE APPLIANCE MALFUNCTIONS, OR IF IT HAS BEEN DROPPED OR DAMAGED IN ANY WAY.

ANY REPAIRS TO THIS FIREPLACE SHOULD BE PERFORMED BY A QUALIFIED SERVICE TECHNICIAN.

UNDER NO CIRCUMSTANCES SHOULD THIS FIREPLACE BE MODIFIED. PARTS HAVING TO BE REMOVED FOR SERVICING MUST BE REPLACED PRIOR TO OPERATING THE FIREPLACE AGAIN.

DO NOT USE THIS APPLIANCE OUTDOORS. DO NOT EXPOSE FIREPLACE TO THE ELEMENTS (SUCH AS RAIN, ETC.).

THIS APPLIANCE IS NOT INTENDED FOR USE IN BATHROOMS, LAUNDRY AREAS OR SIMILAR INDOOR LOCATIONS. NEVER LOCATE THIS APPLIANCE WHERE IT COULD FALL INTO A BATHTUB OR OTHER WATER CONTAINER.

DO NOT RUN ELECTRICAL WIRING OR POWER CORD UNDER CARPETING. OR COVER WITH THROW RUGS, RUNNERS OR SIMILAR MATERIALS.

FOR 120 VAC POWER CORD AVOID THE USE OF AN EXTENSION CORD BECAUSE THE EXTENSION CORD MAY OVERHEAT AND CAUSE A RISK OF FIRE. HOWEVER, IF YOU HAVE TO USE AN EXTENSION CORD, THE CORD SHALL BE NO. 14 AWG MINIMUM SIZE AND RATED NOT LESS THAN 1800 WATTS, 15 AMPS. THE EXTENSION CORD MUST BE A THREE CONDUCTOR SHEATH CABLE WITH GROUNDING TYPE PLUG AND CORD CONNECTION.

THIS APPLIANCE HAS HOT AND ARCING OR SPARKING PARTS INSIDE. DO NOT USE IT IN AREAS WHERE GASOLINE, PAINT OR FLAMMABLE LIQUIDS ARE USED OR STORED.

THIS FIREPLACE SHOULD NOT BE USED AS A DRYING RACK FOR CLOTHING, NOR SHOULD CHRISTMAS STOCKINGS OR OTHER DECORATIONS BE HUNG NEAR IT.

USE THIS APPLIANCE ONLY AS DESCRIBED IN THIS MANUAL. ANY OTHER USE IS NOT RECOMMENDED BY THE MANUFACTURER AND MAY CAUSE A FIRE, ELECTRIC SHOCK OR INJURY TO PERSONS.

IF APPLIANCE IS TO BE DISCONNECTED, TURN OFF CONTROLS FIRST.

DO NOT INSERT OR ALLOW FOREIGN OBJECTS TO ENTER ANY VENTILATION OR EXHAUST OPENING, AS THIS MAY CAUSE AN ELECTRIC SHOCK, FIRE, OR DAMAGE TO THE APPLIANCE.

SAVE THESE INSTRUCTIONS.

In selecting this Innovative Hearth Products linear electric fireplace, you have chosen the finest and most dependable fireplace found anywhere. A beautiful and prestigious addition to the finest homes. Welcome to a Family of hundreds of thousands of satisfied IHP Fireplace Owners.

Please read and carefully follow all of the instructions found in this manual. Please pay special attention to the safety instructions provided in this manual. The instructions included here will assure that you have many years of dependable and enjoyable service from your IHP product.

TABLE OF CONTENTS

Important Safety Information..... Page 2
 Packaging List..... Page 3
 Introduction Page 3
 General Information Page 3
 Locating Fireplace Page 3
 Tools/Supplies Required Page 3
 Framing Specifications..... Page 4
 Fireplace Specifications..... Page 4
 Clearances Page 5
 Pre-installation..... Page 5
 Installation Steps Page 5
 Electrical Connections..... Page 6
 Final Finishing Page 6
 Break-In Period Page 6
 On/Off Switch..... Page 6
 Remote Control Operation Page 7
 Operation Modes..... Page 7
 Maintenance..... Page 8
 54" Fireplace Specifications..... Page 9
 60" Fireplace Specifications..... Page 10
 Troubleshooting Page 11
 Exploded Diagram Key Page 12
 Available Replacement Parts Page 12
 Exploded Diagram..... Page 13
 Electrical Diagram Page 14
 Warranty Page 15

Please read and understand these instructions before installing, operating, or servicing this product.

PACKAGING LIST

This assembled Electric Room Heater is packaged with:

- One accessory package located in the firebox, containing;
 1. One Installation and Operation Manual.
 2. One Warranty Certificate (in manual)
 3. One Remote Control.

Installation must conform to local codes. In the absence of local codes, electrical wiring and grounding must comply with the National Electrical Code ANSI/ NFPA 70 - latest edition. In Canada, the current CSA C22-1 Canadian Electrical Code - latest edition.

INTRODUCTION

This Electric Fireplace is designed for residential applications to be wall mounted or framed in as a fireplace.

This appliance has been tested in accordance with UL 2021 and GSA C22.2 No. 46-M198 standards for fixed and location dedicated electric room heaters.

GENERAL INFORMATION

Power Supply Wire Specifications

120 Volt, 60 Hz, 1500 Watts:
 Power is supplied to the fireplace through a 120Volt, 60Hz receptacle located within reach of the powercord provided with the fireplace. If the heater option it to be used we suggest that a separate circuit with breaker be used. See **Table 1**.

TOOLS AND BUILDING SUPPLIES NORMALLY REQUIRED

- | | |
|-------------------------|---------------------------|
| TOOLS: | BUILDING SUPPLIES: |
| Phillips Screwdriver | Framing Materials |
| Hammer | Wall Finishing Materials |
| Saw And/or Saber Saw | |
| Level | |
| Measuring Tape | |
| Plumb Line | |
| Electric Drill And Bits | |
| Pliers | |
| Square | |
| Gloves | |

IMPORTANT NOTE: This fireplace system is not difficult to install. However, in the interest of safety, it is recommended that the installer be a qualified or certified "tradesman" familiar with commonly accepted fireplace installation and safety techniques as well as prevailing local codes.

Power Supply Wire Gage		
Voltage	Wire Gage	Fuse
120 V	14 GA.	15 AMP

Table 1

LOCATING YOUR PRO SERIES ELECTRIC FIREPLACE

Your new fireplace may be mounted on or recessed into a wall (see **Figure 1**).

When choosing a location for your new fireplace, ensure that the general instructions are followed. Also, for the best effect, install the fireplace out of direct sunlight and away from overhead lighting. See **Figure 1**.

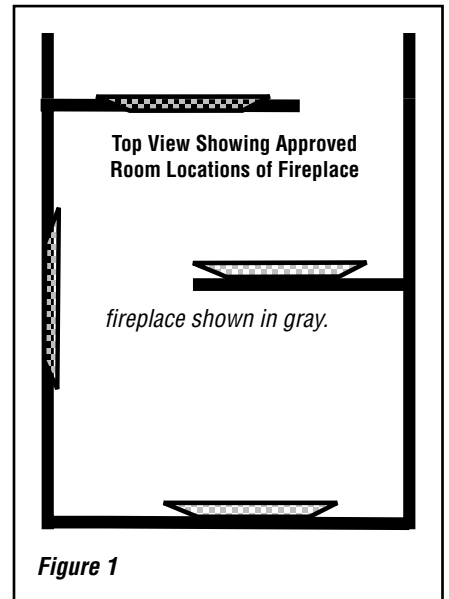


Figure 1

WALL MOUNTED AND RECESSED INSTALLATION

The Electric Fireplaces listed in this manual accept either wall-mounted installation or can be installed as a recessed appliance for a more finished appearance.

WALL MOUNTING OPTION

Surface wall mounting can be achieved by securing the provided brackets to a surface such as a wall in standard construction after first finding weight-bearing studs.

If this option is used, you will be able to enjoy the full functionality of the fireplace, including light and heat.

NOTE: Minimum distances between walls, floors, and ceilings must be observed. See **Figure 2**. Failure to do so may result in damage to finishing materials on the wall including but not limited to paint and wallpaper.

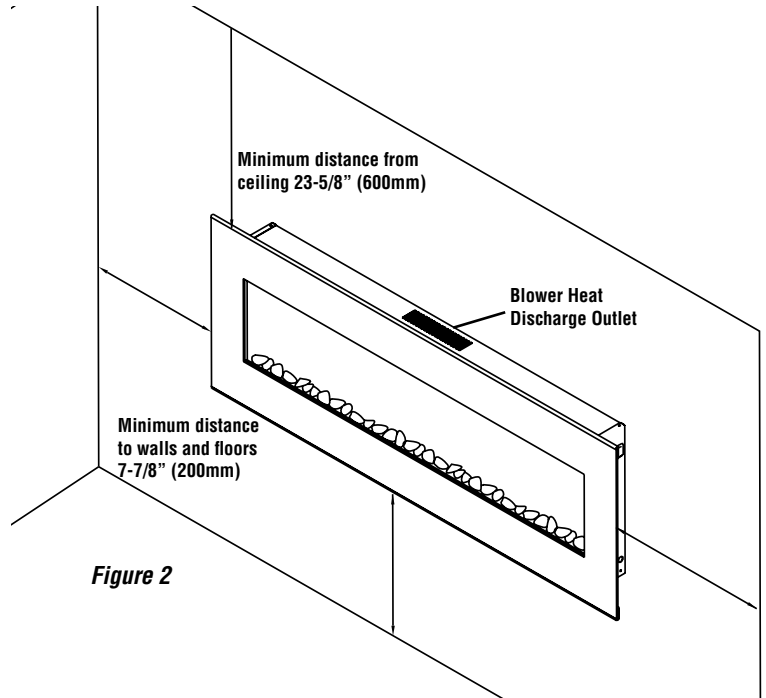


Figure 2

RECESSED FRAMING OPTION

These Electric Fireplaces offer a recessed installation (see **Figure 3**) that gives the fireplace a more distinguished appearance.

Recessed framing places the front glass on the unit nearly flush with the wall. With this option, the fireplace will be more permanently affixed in its desired position in the home for a more dramatic presentation.

With recessed installation, the heater in the unit must be disabled by removing the access panel and pulling apart a pair of wires to the blower (see **Figure 6**). In addition, the power switch must be enabled and power will be controlled with the provided remote.

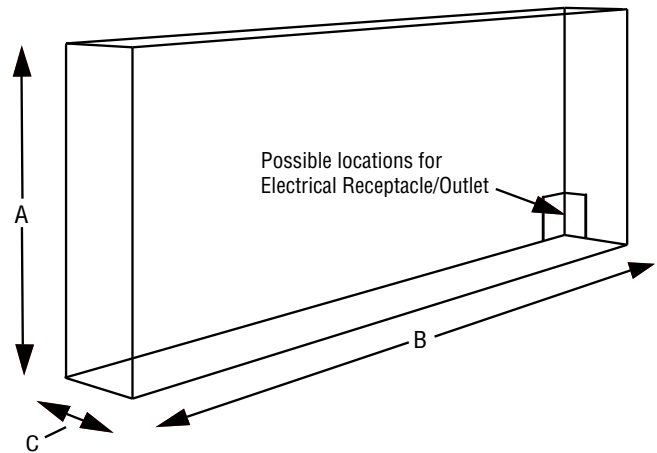


Figure 3 - Recessed Framing Dimensions

Recessed Framing Dimensions			
MODEL	A - Height	B - Width	C - Depth
54"	18-5/8" (473mm)	52" (1321mm)	4-1/8" (105mm)
60"	18-5/8" (473mm)	52" (1321mm)	4-1/8" (105mm)

! WARNING

Do not use this fireplace if any part of it has been underwater. Immediately call a qualified service technician to inspect the fireplace and replace any part of the electrical system which has been under water.

! WARNING

The minimum recommended safe distance from the fireplace to adjacent walls and furnishings is 15 3/4" (600mm).

FIREPLACE SPECIFICATIONS

54" Models: ERC4054, Arturcus54, Artesia54 and MPE-54L

Description: 54" Linear Electric Fireplace
Shipping Weight: 70-1/2 lbs. (32 KG)

Packaging:
57" x 6-1/2" x 22-3/8"
(1448mm x 165mm x 568mm)
4.94 cu. ft.

Power Requirements:
(120 Volt, 60 Hz.)
Rated Wattage - 1600 Watts
Amperage - 13.33 Amps

Blower CFM: 83 CFM
(120 V): 5,461 BTU/HR

60" Models: ERC4060, Arturcus60, Artesia60 and MPE-60L

Description: 60" Linear Electric Fireplace
Shipping Weight: 72-3/4 lbs. (33 KG)

Packaging:
62-3/8" x 6-1/2" x 22-3/8" WWW
(1584mm x 165mm x 568mm)
5.3 cu. ft.

Power Requirements:
(120 Volt, 60 Hz.)
Rated Wattage - 1600 Watts
Amperage - 13.33 Amps

Blower CFM: 83 CFM
(120 V): 5,461 BTU/HR

MINIMUM CLEARANCES TO COMBUSTIBLES

This appliance is an electric fireplace designed to be framed in with combustible materials (up to the edge of the appliance).

Fireplace Clearances		
	WALL	RECESS
Sides	7-7/8" (200mm)	0" (0mm)
Floor	7-7/8" (200mm)	0" (0mm)
Top	23-5/8" (600mm)	0" (0mm)
Rear	0" (0mm)	0" (0mm)

Table 2

Mantel Clearance: Combustible and Non-combustible mantels may be installed above the top of the face of fireplace.

When surface mounting the fireplace with the heater function enabled, a shelf must be a minimum of 15-3/4" above the discharge of the heater.

PRE-INSTALLATION

Before You Start

Check appliance for any concealed damage.

DETAILED INSTALLATION STEPS

WALL MOUNTING

1. Do not connect the appliance until properly fixed to the wall and the instruction manual is read fully.
2. Two people are recommended for installation of this electric fireplace heater.
3. Peel off the removable label and the protective sheet attached to the front tempered glass.
4. To place the decorative crystals media follow the steps as given below
 - a. To place the crystals, the front glass is required to be removed from the heater panel body. Unscrew top and side screws which hold the glass as shown in **Figures 4a and 4b.**



Figure 4a



Figure 4b

- b. Once the screws are out the top metal bracket will come loose, place the bracket away. Make sure the glass is supported while doing this. Lift the glass up and out from the heater body.
 - c. Place the crystals along the light unit in desired position.
 - d. Put the front glass back and place the metal bracket on top of the glass so that the bracket secures it. Put the fasten screws back. Make sure the screws are tight and the glass is secured before continuing with the installation.
5. A minimum recommended viewing distance of 15" is recommended.
 6. For installation of the appliance, care must be taken not to damage concealed cables. Please be careful while drilling the holes.
 7. This appliance is designed to be permanently fixed to a wall at a minimum height of 7-7/8" (200mm). The wall bracket must be fitted horizontally and the cable routed to the bottom right of the heater.
 8. A minimum height of 15" from bottom of heater to floor is recommended for optimum viewing of fuel bed. See the **Figure 2** for the recommended framing dimensions.
 10. Carefully lift the heater up ensuring that the top rear edge of heater engages the wall bracket and is sitting centrally. Two people will make this operation easier.
 11. Gently bring the heater level with the wall and hang the heater to the heater bracket. Ensure the heater body is locked in with the wall bracket.
 12. Attach the bottom bracket to the heater panel body and mark the mounting hole; remove the heater.
 13. Drill the bracket mounting hole and fit the wall plug.
 14. Refit the heater to the wall and secure the bottom bracket using the screws provided to permanently fix the heater in place. Ensure the heater body is engaged with the wall bracket at the top. The heater is now ready for use.

WARNING

Electrical wiring must comply with local building codes and other applicable regulations to reduce the risk of fire, electrical shock and injury to individuals.

IMPORTANT

Any electrical re-wiring of this appliance must be done by a qualified electrician.

ELECTRICAL CONNECTIONS FOR RECESSED FRAMING OPTION

1. Complete the framing opening to the dimensions specified in **Figure 3**. Disable the blower as shown in **Figure 5**. Insure that the fireplace is in the off position (see **Figures 7 and 8**).
2. Wire a dedicated, properly fused circuit with an Amp rating for the appropriate voltage (120 V - 15 Amps). A dedicated circuit is required to prevent overloading a house circuit in cases of having multiple appliances on the same circuit. Use an outlet that is protected by a ground fault circuit interrupter where required by electrical code.
3. Prepare the connections to power receptacle: **120 Volt Connections** - Locate the power cord on the right side of the unit and connect it to the outlet installed during the framing (see **Figure 5**). Verify that the power to the receptacle is off.
Hard wired installation:
Ensure that there is a minimum of 8" of the service cable for connection to the junction box on the fireplace.
 - Loosen four screws to remove the junction box cover plate.
 - Disconnect and remove the 120 Volt power cord from the fireplace wires.
 - Position the fireplace into the framed-in opening. Attach fireplace to frame using nailing flanges provided.
 - Complete the wiring to the fireplace as shown on **Page 14**.
4. Perform a function test. See *Fireplace Heater On/Off* on **Page 7** and *Remote Control Operation* on **Page 8**.
5. Turn the master power switch to the "Off" position and cut the power to the breaker leading to the appliance.

RECESSED INSTALLATION OPTION

Use the following detailed instructions for recessed installation.

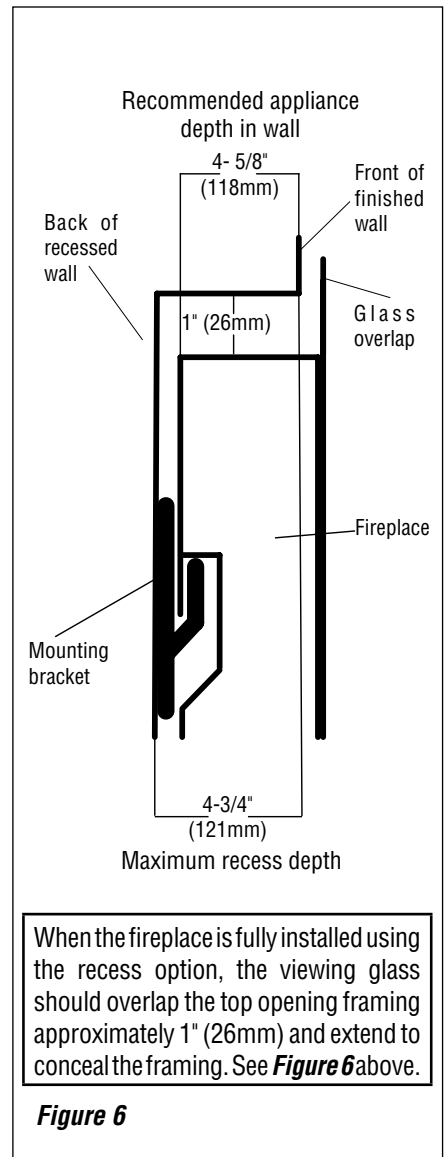
Installing the fireplace is a two person job.

1. Prepare the wall recess and electrical receptacle as see in **Figure 3, Page 4**. It may be necessary to shim the wall bracket to the wall forming the rear of the recess to meet the minimum distance from the bracket to the appliance (see **Figure 7**).
2. **IMPORTANT:** Cut off the breaker leading to the appliance.
3. Follow the wiring details located in **Figure 11** on **Page 14**.
3. Follow steps 1-5 found under WALL MOUNTING (see **Page 5**), to prepare decorative elements of the fireplace for installation.
4. Install the mounting bracket on the inside wall or on the shim.
5. Disable the blower motor and heater by removing the four screws in the Heater Cutoff Access Panel and unplugging the wires as seen in **Figure 5**.



Figure 5

6. **Flip the master power switch to the "ON" position.**
7. Carefully seat the fireplace into the recess opening near the top of the opening and lower the appliance so that the mounting brackets will catch against the brackets at the back of the fireplace.
8. Turn the breaker supporting the fireplace back on.
9. Use the supplied remote control to operate the fireplace. For more information on fireplace operation, see **Page 8**.



When the fireplace is fully installed using the recess option, the viewing glass should overlap the top opening framing approximately 1" (26mm) and extend to conceal the framing. See **Figure 6** above.

Figure 6

BREAK-IN PERIOD:

During the first few initial uses of this heater, there may be a release of a slight, harmless odor. This odor is a normal occurrence caused by the initial heating of the internal heating elements and should not reoccur.

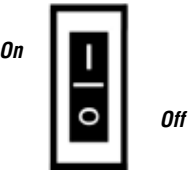
NOTE: Ensure the circuit breakers for the power supply are turned on.

This appliance can be activated using the fireplace and heater On/Off Switch (see **Figures 7 and 8**) or by using the remote control when the unit power switch is already in the "ON" position.

The manual controls are located on the firebox floor on the front left (see **Figure 5**). If an optional glass enclosure is installed, it must be removed to access.


Fireplace and Heater On/Off

When the main power switch is turned on, power is supplied to the fireplace.



The On/Off Switch is located on the right side of the unit below the Heater Cutoff Access Panel. In the recessed install option, this switch must be turned into the "ON" position and the appliance must be controlled with the remote provided.

Figure 7



Main Power Switch in "OFF" Position.

Figure 8

MAINTENANCE

This appliance has been designed to provide many years of trouble-free service. The components that will need to be serviced have been kept to a minimum. Periodic dusting of the fireplace is all that should be required.

! CAUTION

Handle glass very carefully to prevent accidental breakage.

! CAUTION

Disconnect power before attempting any maintenance or cleaning to reduce the risk of fire, electrical shock or personal injury.

! WARNING

When cleaning the fireplace, the fireplace must be cool.

CLEANING THE GLASS ENCLOSURE PANEL

Over time the front glass panel may become dirty or dusty. Dust can be removed by lightly rubbing the glass surface with a clean, lint free cloth or paper towel. To remove fingerprints or other marks, use a damp cloth with a good quality household glass cleaner. The front glass panel should be completely dried with a clean, lint free cloth or paper towel.

! CAUTION

Do not use abrasive cleaners on the glass panel. Do not spray liquids directly onto any surface of the fireplace.

! WARNING

An authorized service representative should perform any other servicing.

OPERATION

The appliance can be turned on either by the switch located on the lower right hand side of the heater body or by supplied remote control.

Manual Operation

1. The main power ON/OFF switch in position "O," the heater is OFF.
2. When main power ON/OFF switch is at position "I," the heater is ready to use.
3. Press the HEAT button on the remote control repeatedly to set the heater to desired heat setting.
4. Press the Flame brightness adjustment button to adjust the flame height and ember bed brightness. Press and release the FLAME control button to cycle through LO, MED, HI and OFF.

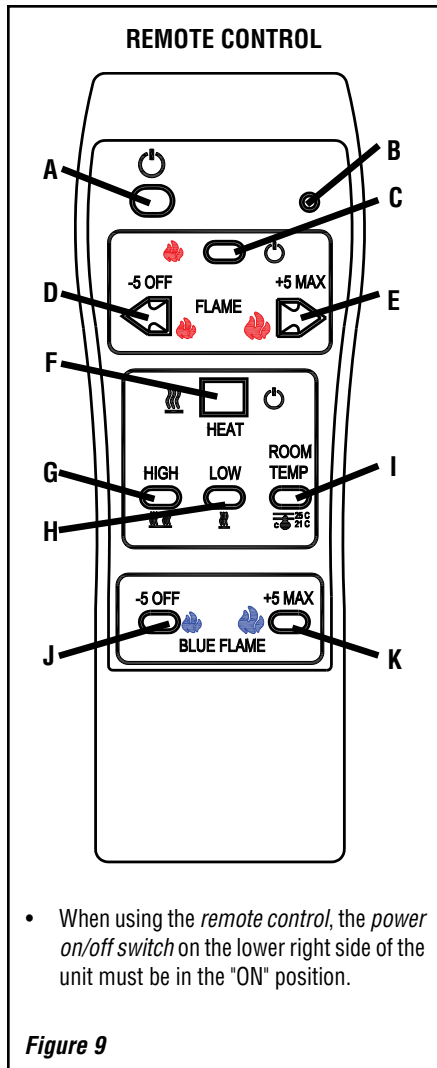
SAFETY CUT-OFF

- This appliance is fitted with a safety cut-off which will operate if the heater overheats (eg. due to blocked air vents). For safety reasons, the heater will NOT automatically reset.
- To reset the appliance, disconnect the appliance from the mains supply for at least 30 minutes. Reconnect the supply to the main switch on the appliance.

AUTO MODE

Under this mode the heater will automatically turn ON at high heat setting 1500w heat output when the room temperature drops below 72°F (22°C). When the room temperature is between 72-77°F (22-25°C) the heater output will switch to low heat setting 1000W. When the room temperature goes above 77°F (25°C) the heater will be turned off and the cycle will continue.

REMOTE CONTROL OPERATION:



REMOTE CONTROL MODEL NO. R-37
 PART NO. F2052

CAUTIONS

- Do Not Use Old Batteries With New Ones.
- Do Not Use Batteries Other Than The Type Specified (2 Ea. AA).
- Ensure Batteries Are Correctly Installed In Remote Control.

This IHP Electric Fireplace is provided with an Infrared light Remote Control. All functions of the fireplace can be controlled through the remote control. Note: The Effective range of the remote control is up to approximately 26 feet (8 meters).

The functions identified on the remote (see *Figure 9*) are as follows:

- A. POWER BUTTON**
Press once to turn on power to fireplace.
- B. INDICATING LIGHT**
Illuminates when signal is sent.
- C. FLAME BUTTON**
On/off switch for flame and ember light.
- D. AMBER FLAME BUTTON (DIM)**
Reduces brightness of amber light.
- E. AMBER FLAME BUTTON (BRIGHTEN)**
Increases brightness of amber light.
- F. HEATER ON/OFF**
This button will turn the heater ON and OFF independent of the main button.
- G. TEMPERATURE ADJUSTMENT BUTTON (HIGH)**
Highest heat output, up to 75° F.
- H. TEMPERATURE ADJUSTMENT BUTTON (LOW.)**
Low heat output, up to 72° F.
- I. TEMPERATURE ADJUSTMENT BUTTON (ROOM)**
Sets the fireplace to Auto Mode (See **Operations**)
- J. BLUE FLAME BUTTON (LOWER)**
Reduces brightness of blue light.
- K. BLUE FLAME BUTTON (HIGHER)**
Increases brightness of blue light.

REMOTE CONTROL OPERATION STEPS:

- For remote to function make sure the heater is plugged-in and main power switch located on the bottom right hand side is in the "ON" position.
- When operating the remote make sure you point the remote to the center of the heater unit and make sure each time you press the button the LED indicator located on top right hand corner of the remote blinks. The buzzer inside the unit will beep once; if the LED fails to blink check the batteries. It takes some time for the receiver to respond to the transmitter. Do not PRESS the buttons more than once within two seconds for correct operation.
- Power On power button:** The power-on button at top left corner of the remote is the main ON/OFF power button. This will turn off all the functions and the heater will be in standby mode.
- Flame Power On button:** This button controls both the amber and blue color flame. Press this button once to turn ON the flame effect. Once the flame effect is ON use the + and - buttons as explained below to adjust the flame brightness as desired. Press this button again to turn OFF the flame effect. The heater can function even when the flame effect is turned off if so desired.

The Red Flame +5 or -5 buttons control the brightness of the Amber fame. To increase the brightness/flame height, press and release the flame +5 button. Each time you press this button the brightness will increase by a small amount, until the maximum is reached.

Press and release the Red Flame -5 button. Each time you press this button the brightness will decrease by small amount, until the minimum brightness is reached.

The Blue Flame +5 or -5 buttons control the brightness of the Blue fame. To increase the brightness/flame height, press and release the Blue Flame +5 button. Each time you press this button the brightness will increase by a small amount, until the maximum is reached.

To decrease the brightness / flame height, press and release the Blue Flame -5 button. Each time you press this but ton the brightness will decrease by small amount, until the minimum brightness is reached.

Using these settings you can mix the amber and the blue flame to create a realistic or stylized flame effect. Color mixes will also be reflected in the crystal ember bed for added impact.

- Heater Power Button:** This button is the heater ON/OFF button. Press this button to turn the heater ON. The heater will always turn on at the highest setting. In order to reduce the temperature on the heater press this button again.

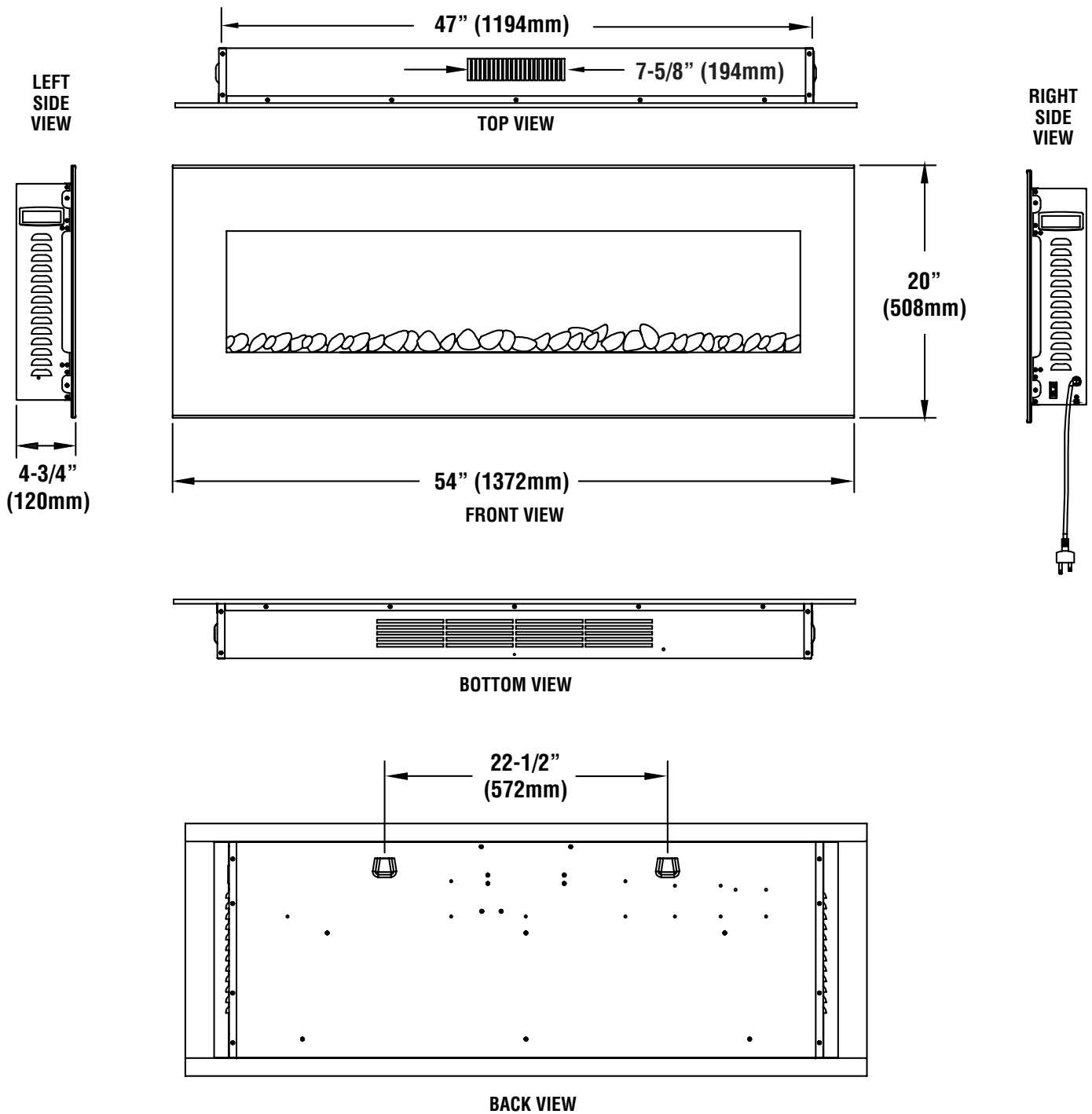
High Button: Press the high button to switch the heater directly to high heat setting of 1500W.

Low Button: Press the high button to switch the heater directly to low heat setting of 750W.

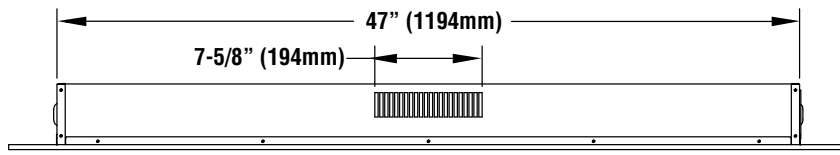
Room Temp Button: Press the high but ton to switch the heater to AUTO Mode (See *Operations, Page 7*).

- To turn OFF the heater unit completely press the Power Button once.

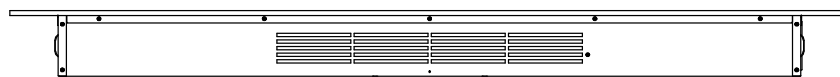
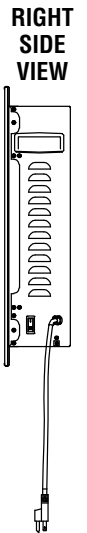
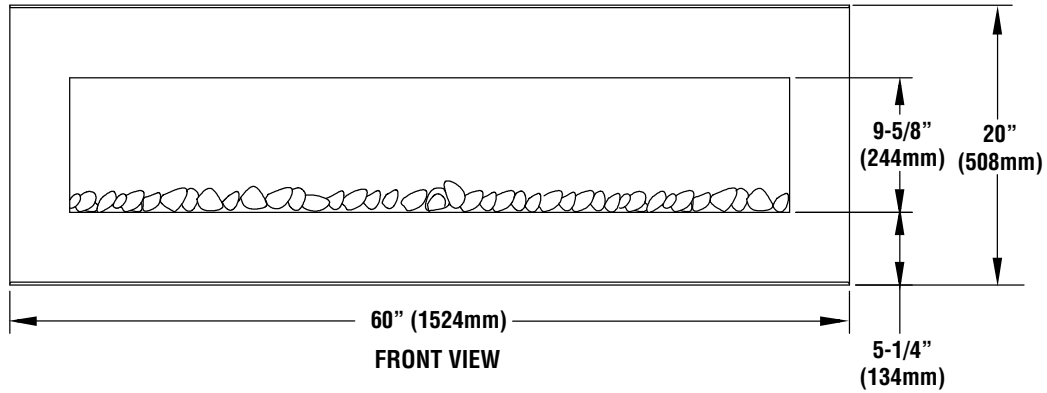
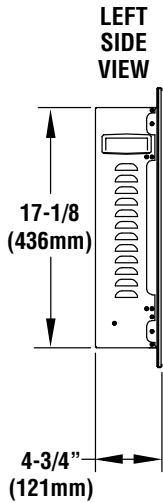
54" LINEAR ELECTRIC FIREPLACE



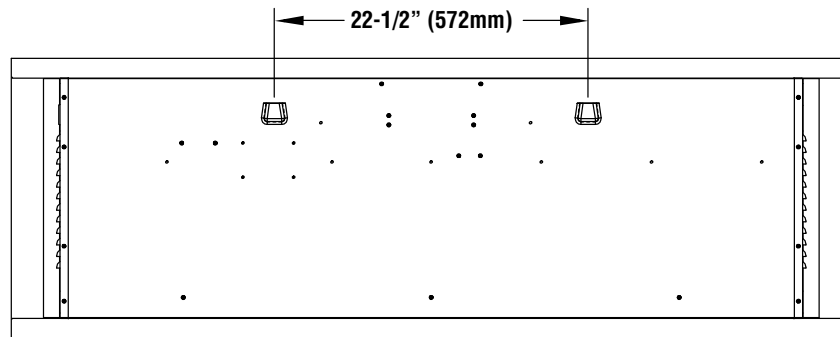
60" LINEAR ELECTRIC FIREPLACE



TOP VIEW

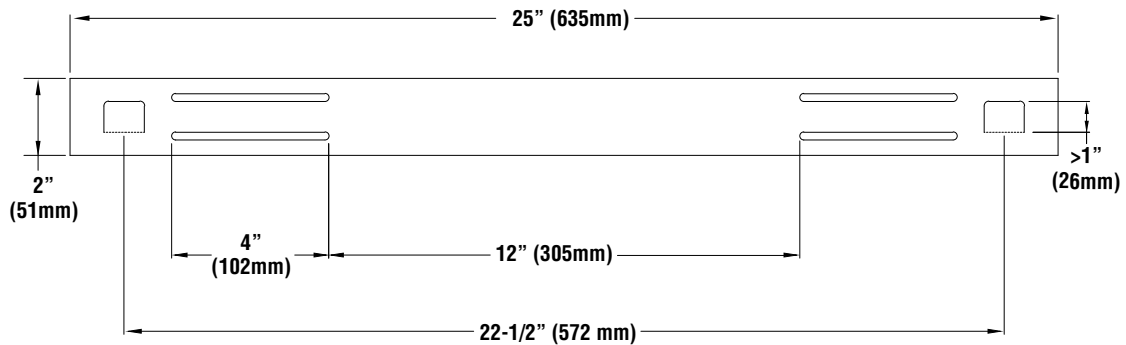


BOTTOM VIEW



BACK VIEW

MOUNTING BRACKET



TROUBLESHOOTING

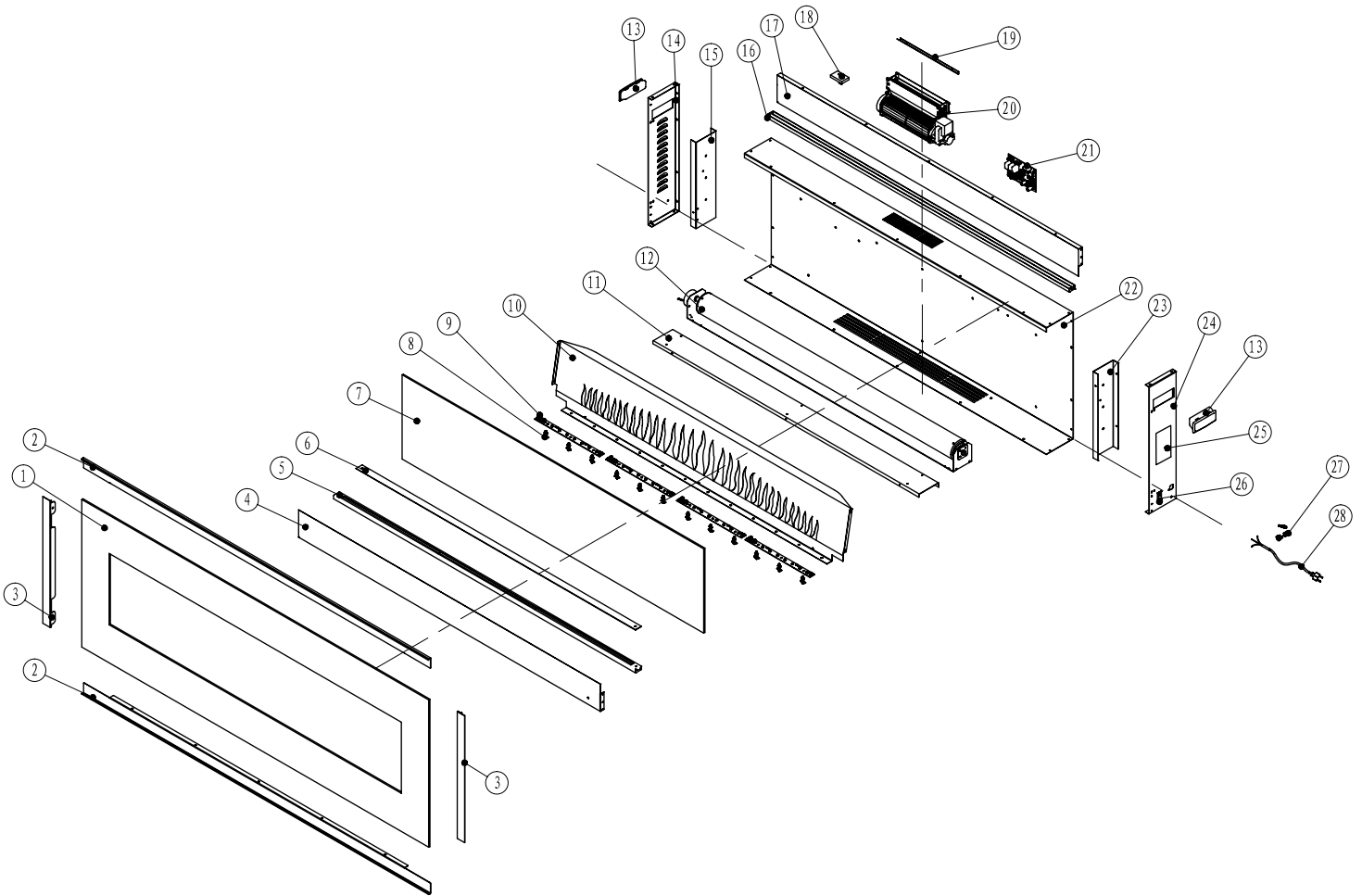
Symptom	Possible Causes	Who Performs Corrective Action	Corrective Action
1. Fireplace does not turn on when the power button on the remote is pushed.	Main power switch on the lower right side of the fireplace is in the off position.	Homeowner	Turn on the main power switch.
2. Fireplace does not turn on when main power switch is engaged.	Appliance is not plugged in or there is no power to the receptacle	Homeowner	Plug unit in or confirm that the circuit breaker is switched on.
3. Flame is fixed (unmoving).	Wiring may be loose or the flame motor may be defective.	Qualified service technician	Inspect all wiring for loose connections. If the wire connections are good, replace the flame motor.
4. Dim or poorly visible flame or LED ember bed is not glowing.	LED strip failure or wiring is loose.	Qualified service technician	Inspect all wiring for loose connections and repair or replace if necessary. Inspect LED strips and replace if necessary.
5. Flame sputters.	Flame motor is defective.	Qualified service technician	Replace flame motor.
6. Remote control does not work.	Low batteries. Unit switch and/or wall switch in "on" position.	Homeowner	Replace aa batteries in remote control. If problem persists, there may have been a loss of power to the unit as a possible result from a power failure (i.E. Breaker tripped). Turn off main power on/off switch (see figure 4) and/or optional wall switch (if applicable).
7. Circuit breaker trips or fuse blows when the unit is turned on.	Improper circuit current rating.	Qualified service technician	Check the house circuit to ensure it is on a dedicated circuit with proper amp. Rating. If the circuit breaker continues to trip (or blown fuses), inspect wiring for a loose connection or a dead short. Repair or replace wiring and/or connectors as necessary.

EXPLODED DIAGRAM KEY AND AVAILABLE REPLACEMENT PARTS

ITEM NO.	DESCRIPTION	54" Models	60" Models	QTY
		Cat. No.	Cat. No.	
1	Front Glass	F2042	F2043	1
2	Bottom Front Glass Fixed Bar	N/A	N/A	1
3	Top Front Glass Fixed Bar	N/A	N/A	1
4	Lower Baffle	N/A	N/A	1
5	Ember Bed Bracket	N/A	N/A	1
6	Translucent LED Ember Cover	N/A	N/A	1
7	Mirror Glass	F2044	F2044	1
8	Isolation Columns	N/A	N/A	1
9	Ember Bed LED Lights	F2045	F2045	4
10	Flame Board	N/A	N/A	1
11	Drum Bracket	N/A	N/A	1
12	Flame Drum Assembly	F2046	F2046	1
13	Plastic Handle	N/A	N/A	1
14	Left Side Panel	N/A	N/A	1
15	Left Inner Lining Board	N/A	N/A	1
16	Upper Bar	N/A	N/A	1
17	Upper Panel	N/A	N/A	1
18	Remote Receiver Assembly	F2048	F2048	1
19	Air Outlet Bracket	N/A	N/A	1
20	Heater Assembly	F2049	F2049	1
21	Circuit/Control Board	F2050	F2050	1
22	Firebox	N/A	N/A	1
23	Right Lining Panel	N/A	N/A	1
24	Right Side Panel	N/A	N/A	1
25	Heater Cutoff Access Panel	N/A	N/A	1
26	Rocker Switch	F2051	F2051	1
27	Power Supply Lines	N/A	N/A	1
28	Power Cord	N/A	N/A	1
---	Remote Control (see Page 8)	F2052	F2052	1
---	Wall Mounting Bracket (see Page 10)	F2053	F2053	1
---	Flame Drum Motor (Not Shown)	F2047	F2047	1
---	Ember Crystals (Not Shown)	F2054	F2054	2

NOTE: If touch-up paint is needed, use Rust-oleum®, Painter's Touch, Flat Black (part number 1976) available at most stores which sell aerosol touch-up paint.

EXPLODED DIAGRAM WITH AVAILABLE REPLACEMENT PARTS - 54" AND 60" MODELS



⚠ WARNING

Failure to position the parts in accordance with these diagrams or failure to use only parts specifically approved with this appliance may result in property damage or personal injury.

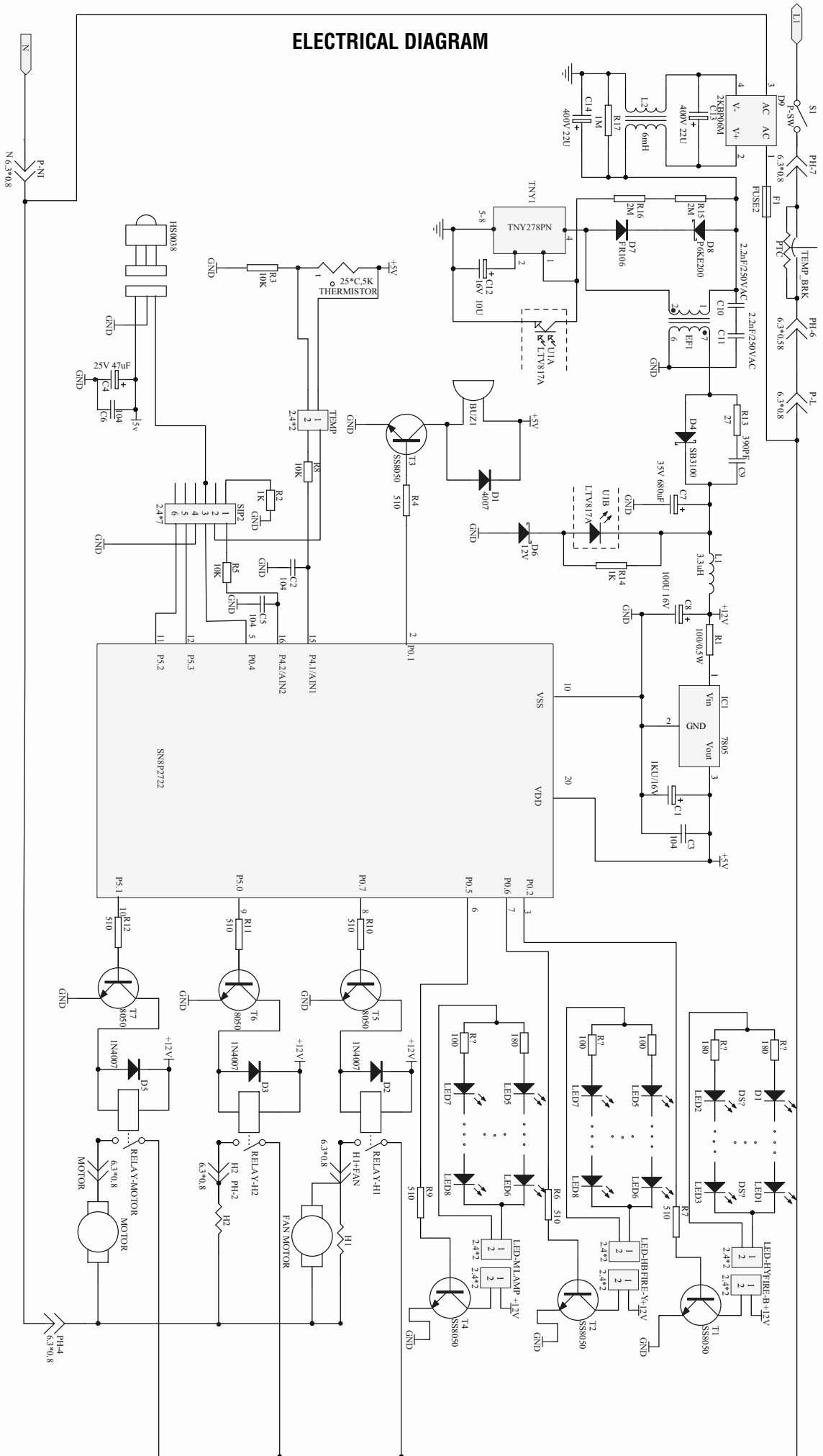
⚠ AVERTISSEMENT

Risque de dommages ou de blessures si les pièces ne sont pas installées conformément à ces schémas et ou si des pièces autres que celles spécifiquement approuvées avec cet appareil sont utilisées.

⚠ WARNING

Never use substitute materials. Use of non-approved parts can result in poor performance and safety hazards.

ELECTRICAL DIAGRAM



Innovative Hearth Products Electric Fireplace Limited One Year Warranty

THE WARRANTY

Innovative Hearth Products Limited One Year Warranty ("IHP") warrants your electric fireplace, appliance or insert ("Product") to be free from defects in materials and workmanship at the time of manufacture. The product body, blower and circuit board, if applicable, carry the Limited One Year Warranty. After installation, if covered components are found to be defective in materials or workmanship during the Limited One Year Warranty period and while the Product remains at the site of the original installation, IHP will, at its option, repair or replace the covered components. If repair or replacement is not commercially practical, IHP will, at its option, refund the purchase price or wholesale price of the IHP Product, whichever is applicable. IHP will also pay IHP prevailing labor rates, as determined in its sole discretion, incurred in repairing or replacing such components. THERE ARE EXCLUSIONS AND LIMITATIONS to this Limited One Year Warranty as described herein.

COVERAGE COMMENCEMENT DATE

Warranty coverage begins on the date of purchase. In the case of new home construction, warranty coverage begins on the date of first occupancy of the dwelling or six months after the sale of the Product by an independent IHP dealer/distributor, whichever occurs earlier. The warranty shall commence no later than 24 months following the date of product shipment from IHP, regardless of the installation or occupancy date.

EXCLUSIONS AND LIMITATIONS

This Limited One Year Warranty applies only if the Product is installed in the United States or Canada and only if operated and maintained in accordance with the printed instructions accompanying the Product and in compliance with all applicable installation and building codes and good trade practices.

This warranty is non-transferable and extends to the original owner only. The Product must be purchased through a listed supplier of IHP and proof of purchase must be provided. The following do not carry a Limited One Year Warranty but are warranted as follows:

- Glass components** – Replacement for 90 days from the date of installation
- Accessories & doors** – Repair or replacement for 90 days from the date of installation
- Light bulbs, LED strips & batteries** – Replacement for 90 days from the date of installation for defects in material and workmanship only
- Remote control** – Repair or replacement for one year from the date of installation
- Labor coverage** – Prevailing IHP labor charges apply for the warranty period of the component

Parts not otherwise listed carry a 90 day warranty from the date of installation.

Whenever practicable, IHP will provide replacement parts, if available, for a period of 10 years from the last date of manufacture of the Product.

IHP will not be responsible for: (a) damages caused by normal wear and tear, accident, riot, fire, flood or acts of God; (b) damages caused by abuse, negligence, misuse, or unauthorized alteration or repair of the Product affecting its stability or performance (The Product must be subjected to normal use. All precautions and warnings as described in the instruction/owner's manual must be followed.); (c) damages caused by failing to provide proper maintenance and service in accordance with the instructions provided with the Product; (d) damages, repairs or inefficiency resulting from faulty installation or application of the Product.

This Limited One Year Warranty covers only parts and labor as provided herein. In no case shall IHP be responsible for materials, components or construction which are not manufactured or supplied by IHP or for the labor necessary to install, repair or remove such materials, components or construction. Additional utility bills incurred due to any malfunction or defect in equipment are not covered by this warranty. All replacement or repair components will be shipped F.O.B. from the nearest stocking IHP factory.

LIMITATION ON LIABILITY

It is expressly agreed and understood that IHP's sole obligation and the purchaser's exclusive remedy under this warranty, under any other warranty, expressed or implied, or in contract, tort or otherwise, shall be limited to replacement, repair, or refund, as specified herein.

In no event shall IHP be liable for any incidental or consequential damages caused by defects in the Products, whether such damage occurs or is discovered before or after repair or replacement, and whether such damage is caused by IHP's negligence. IHP has not made and does not make any representation or warranty of fitness for a particular use or purpose, and there is no implied condition of fitness for a particular use or purpose.

IHP makes no expressed warranties except as stated in this Limited One Year Warranty. The duration of any implied warranty is limited to the duration of this expressed warranty.

No one is authorized to change this Limited One Year Warranty or to create for IHP any other obligation or liability in connection with the Product. Some states and provinces do not allow the exclusion or limitation of incidental or consequential damages, so the above limitations or exclusions may not apply to you. The provisions of this Limited One Year Warranty are in addition to and not a modification of or subtraction from any statutory warranties and other rights and remedies provided by law.

INVESTIGATION OF CLAIMS AGAINST WARRANTY

IHP reserves the right to investigate any and all claims against this Limited One Year Warranty and to decide, in its sole discretion, upon the method of settlement.

To receive the benefits and advantages described in this Limited One Year Warranty, the appliance must be installed and repaired by a licensed contractor approved by IHP.

Contact IHP at the address provided herein to obtain a listing of approved dealers/distributors. **IHP shall in no event be responsible for any warranty work done by a contractor that is not approved without first obtaining IHP's prior written consent.**

HOW TO REGISTER A CLAIM AGAINST WARRANTY

In order for any claim under this warranty to be valid, you must contact the IHP dealer/distributor from which you purchased the product. If you cannot locate the dealer/distributor, then you must notify IHP in writing. IHP must be notified of the claimed defect in writing within 90 days of the date of failure. Notices should be directed to the IHP Warranty Department at 1769 East Lawrence Street; Russellville, AL 35654 or visit our website at WWW.IHP.US.COM.

IHP.us.com

Record the following important information about your appliance:

Appliance model number	
Appliance serial number	
Date appliance was Installed	
Dealer name	

Innovative Hearth Products (IHP) reserves the right to make changes at any time, without notice, in design, materials, specifications, prices and also to discontinue colors, styles and products. Consult your local distributor for fireplace code information.

