

INSTALLER: LEAVE THIS MANUAL WITH THE APPLIANCE.
CONSUMER: RETAIN THIS MANUAL FOR FUTURE REFERENCE.

NEVER LEAVE CHILDREN OR OTHER AT RISK INDIVIDUALS ALONE WITH THE APPLIANCE.

This wood appliance needs periodic inspection and repair for proper operation. It is against United States federal regulation to operate this wood appliance in a manner inconsistent with operating instructions in this manual.



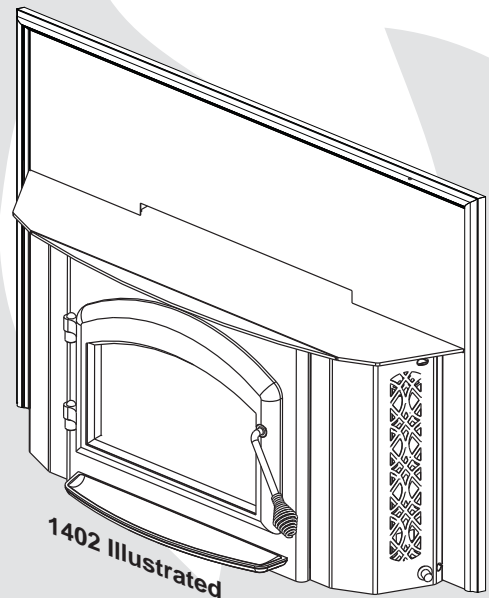
INSTALLATION AND OPERATING INSTRUCTIONS

EN

FR
PG
35

MODEL 1101 & 1402 MEET THE 2015 U.S ENVIRONMENTAL PROTECTION AGENCY (E.P.A.) CRIB WOOD EMISSION LIMITS FOR WOOD STOVES SOLD AFTER MAY 15, 2015, 40 C.F. R. PART 60. THESE STOVES HAVE BEEN TESTED AND LISTED BY INTERTEK TESTING SERVICES TO STANDARDS: ULC S628, UL 1482.

EPI 1101 & 1402 WOOD INSERT



1402 Illustrated

SAFETY INFORMATION

WARNING

If the information in these instructions is not followed exactly, a fire or explosion may result causing property damage, personal injury or death. Improper installation, adjustment, alteration, service or maintenance can cause injury or property damage, bodily injury or even death. Please read entire manual before you install and use your appliance.

This appliance has not been tested with an unvented gas log set. To reduce risk of fire or injury, do not install an unvented gas log set into the appliance.

- This appliance can be very hot when burning.
- Combustible materials such as firewood, wet clothing, etc. placed too close can catch fire.
- Children and pets must be kept from touching the appliance when it is hot.
- The chimney must be sound and free of cracks. Before installing this unit, contact the local building or fire authority and follow their guidelines.
- Operate only with the door tightly closed.
- Burn wood behind the log retainer directly on the firebricks.
- Do not use an elevated grate or otherwise raise the fire.
- At least 14 square inches (90.3 square centimeters) of outside air must be admitted to the room or directly to the unit through a 4" (101.6mm) diameter pipe.
- This appliance is designed to burn natural wood only. Higher efficiencies and lower emissions generally result when burning air dried seasoned hardwoods, as compared to softwoods or to green or freshly cut hardwoods.
- Do not start a fire with chemicals or fluids such as gasoline, engine oil, etc.
- Do not burn trash or garbage, lawn clippings / waste, rubber, waste petroleum products, paints or paint thinners / solvents, plastic, materials containing asbestos, construction debris, railroad ties or treated wood, manure or animal remains, salt water driftwood or salted materials, unseasoned wood, coal, charcoal, coloured paper, cardboard, plywood or particleboard.
- Do not let the appliance become hot enough for any part to glow red.
- KEEP THE STOVE TOP TEMPERATURE BELOW 700°F (371°C). Attempts to achieve heat output rates that exceed design specifications can result in steel distortion and damage.

WARNING

HOT GLASS WILL CAUSE BURNS.

DO NOT TOUCH GLASS UNTIL COOLED.

NEVER ALLOW CHILDREN TO TOUCH GLASS.



APPLY SERIAL NUMBER LABEL FROM CARTON



Wolf Steel Ltd., 24 Napoleon Rd., Barrie, ON, L4M 0G8 Canada /
103 Miller Drive, Crittenden, Kentucky, USA, 41030

Phone (705)721-1212 • Fax (705)720-9081 • www.napoleonfireplaces.com • hearth@napoleonproducts.com

\$10.00

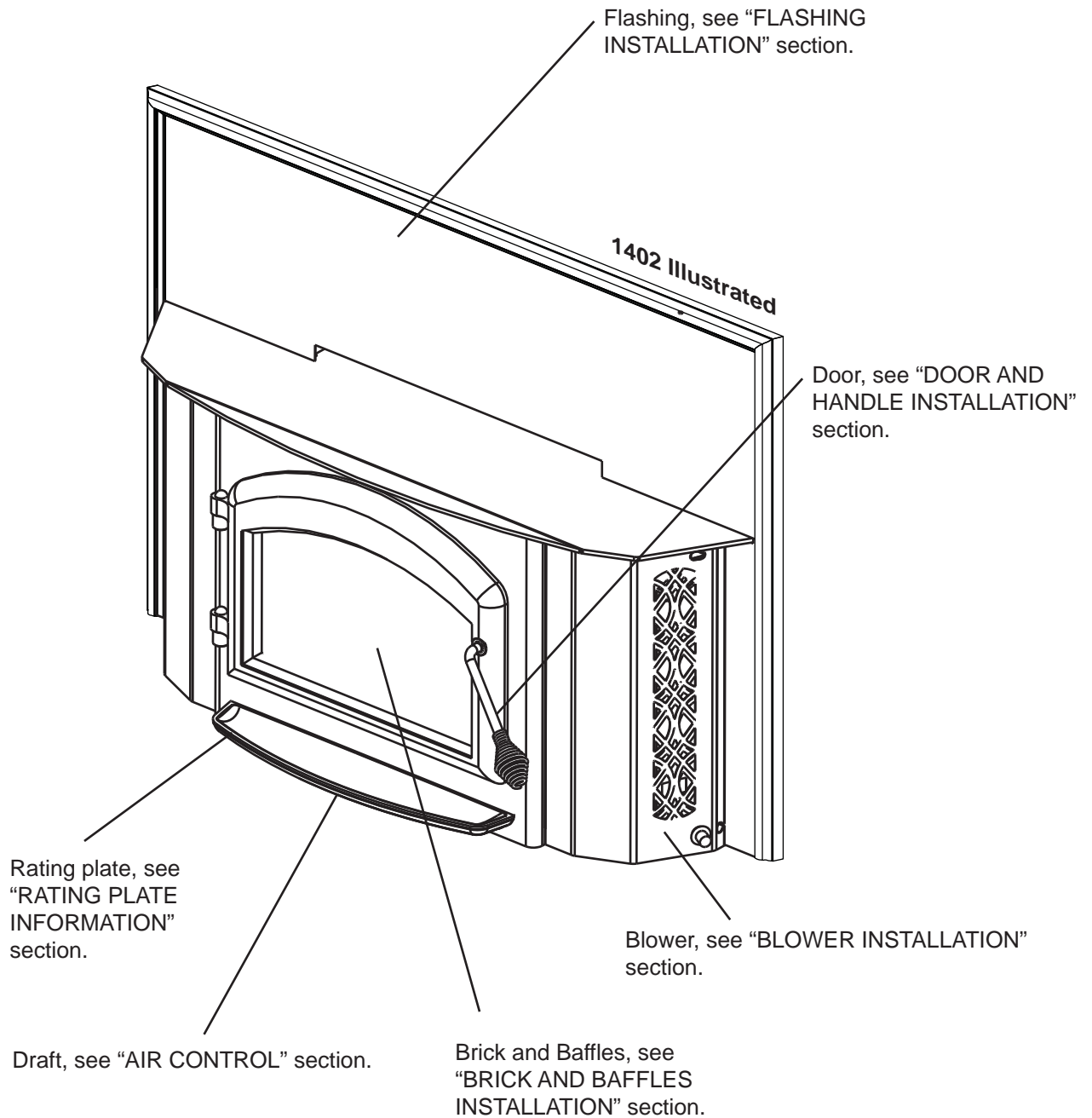
1.27D

TABLE OF CONTENTS

1.0	INSTALLATION OVERVIEW	3
2.0	INTRODUCTION	4
	2.1 DIMENSIONS	5
	2.1.1 1101 DIMENSIONS (COMPLETE WITH FLASHING)	5
	2.1.2 1402 DIMENSIONS (COMPLETE WITH FLASHING)	5
	2.2 SPECIFICATIONS	5
	2.3 GENERAL INSTRUCTIONS	6
	2.4 GENERAL INFORMATION	6
	2.5 RATING PLATE INFORMATION	8
3.0	INSTALLATION PLANNING	9
	3.1 MINIMUM CLEARANCE TO COMBUSTIBLES	9
4.0	INSTALLATION	10
	4.1 TYPICAL EXISTING MASONRY	11
	4.2 FACTORY BUILT FIREPLACE	12
	4.3 LOW CLEARANCE FLUE CONNECTOR (1402)	12
5.0	FINISHING	13
	5.1 BRICKS AND BAFFLES INSTALLATION	13
	5.2 DOOR REMOVAL / INSTALLATION	14
	5.3 DOOR HANDLE INSTALLATION	14
	5.4 FLASHING INSTALLATION	15
6.0	OPERATION	16
	6.1 OPTIMUM BURN METHOD	17
	6.2 BLOWER	17
	6.3 AIR CONTROL	18
	6.4 FIRE EXTINGUISHERS / SMOKE & CARBON MONOXIDE DETECTORS	18
	6.5 FUEL	19
	6.6 LIGHTING A FIRE	20
	6.6.1 FLASH FIRE	20
	6.6.2 EXTENDED FIRE	20
	6.7 SMOKING	20
7.0	MAINTENANCE	21
	7.1 ASH REMOVAL PROCEDURES	21
	7.2 CREOSOTE FORMATION AND REMOVAL	21
	7.3 RUNAWAY OR CHIMNEY FIRE	22
	7.4 CHIMNEY CLEANING	22
	7.5 GLASS REPLACEMENT	23
	7.6 GASKET REPLACEMENT	23
	7.7 CARE OF GLASS	24
	7.8 CARE OF PLATED PARTS	24
	7.9 BLOWER SERVICE OR REPLACEMENT (1101)	25
	7.10 BLOWER SERVICE OR REPLACEMENT (1402)	25
8.0	REPLACEMENTS	27
9.0	TROUBLESHOOTING	29
10.0	WARRANTY	30
11.0	SERVICE HISTORY	31

NOTE: Changes, other than editorial, are denoted by a vertical line in the margin.

1.0 INSTALLATION OVERVIEW



2.0 INTRODUCTION

EN

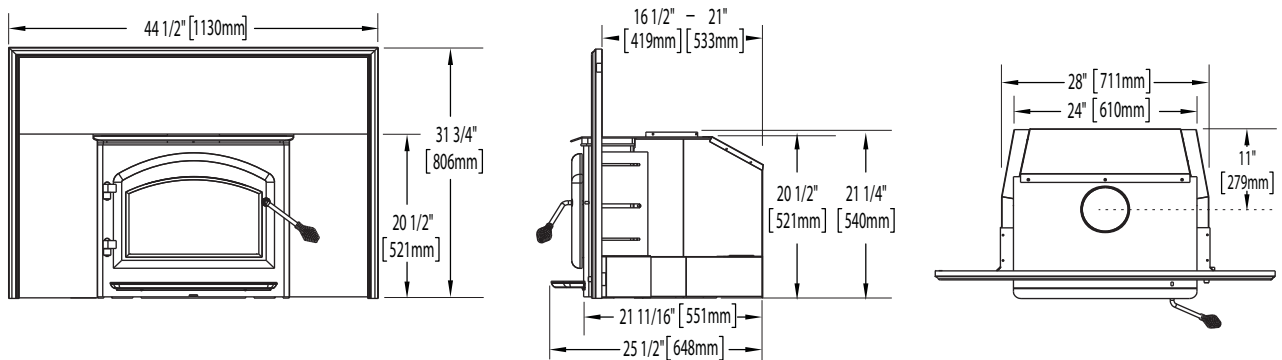
WARNING

- **THIS APPLIANCE IS HOT WHEN OPERATED AND CAN CAUSE SEVERE BURNS IF CONTACTED. ANY CHANGES OR ALTERATIONS TO THIS APPLIANCE OR ITS CONTROLS CAN BE DANGEROUS AND IS PROHIBITED.**
- Do not operate appliance before reading and understanding operating instructions. Failure to operate appliance according to operating instructions could cause fire or injury.
- Before installing this appliance, contact the local building or fire authority and follow their guidelines.
- This appliance must be installed by a qualified installer.
- Risk of burns. The appliance should be turned off and cooled before servicing.
- Do not operate without fully assembling all components.
- Do not let the appliance become hot enough for any part to glow red.
- Do not install damaged, incomplete or substitute components.
- Risk of cuts and abrasions. Wear protective gloves and safety glasses during installation. Sheet metal edges may be sharp.
- Children and adults should be alerted to the hazards of high surface temperature and should stay away to avoid burns or clothing ignition.
- Young children should be carefully supervised when they are in the same room as the appliance. Toddlers, young children and others may be susceptible to accidental contact burns. A physical barrier is recommended if there are at risk individuals in the house. To restrict access to an appliance or stove, install an adjustable safety gate to keep toddlers, young children and other at risk individuals out of the room and away from hot surfaces.
- Clothing or other flammable material should not be placed on or near the appliance. Objects placed in front of the appliance must be kept a minimum of 48" (1219.2mm) away from the front face of the appliance.
- Due to high temperatures, the appliance should be located out of traffic and away from furniture and draperies.
- Ensure you have incorporated adequate safety measures to protect infants/toddlers from touching hot surfaces.
- Even after the appliance is out, the glass and/or screen will remain hot for an extended period of time.
- Check with your local hearth specialty dealer for safety screens and hearth guards to protect children from hot surfaces. These screens and guards must be fastened to the floor.
- Any safety screen or guard removed for servicing must be replaced prior to operating the appliance.
- Under no circumstances should this appliance be modified.
- This appliance must not be connected to a chimney flue pipe servicing a separate solid fuel burning appliance.
- Do not operate the appliance with the glass door removed, cracked or broken. Replacement of the glass should be done by a licensed or qualified service person.
- Do not strike or slam shut the appliance glass door.
- Only doors / optional fronts certified with the unit are to be installed on the appliance.
- Keep the packaging material out of reach of children and dispose of the material in a safe manner. As with all plastic bags, these are not toys and should be kept away from children and infants.
- If the appliance is not properly installed, a house fire may result. Do not expose the appliance to the elements (ex. rain, etc.) and keep the appliance dry at all times. Wet insulation will produce an odour when the appliance is used.
- The chimney must be sound and free of cracks. Clean your chimney a minimum of twice a year and as required.
- Do not start a fire with chemicals or fluids such as gasoline, engine oil, etc.
- Your appliance requires periodic maintenance and cleaning. Failure to maintain your appliance may lead to smoke spillage in your home.
- Lower emissions generally result when burning air dried seasoned hardwoods, as compared to softwoods or too green or freshly cut hardwoods. Burning wet unseasoned wood can cause excessive creosote accumulation. When this is ignited it can cause a chimney fire that may result in a serious house fire.
- This appliance is designed to burn natural wood only. Do not burn trash or garbage, lawn clippings / waste, rubber, waste petroleum products, paints or paint thinners / solvents, plastic, materials containing asbestos, construction debris, railroad ties or treated wood, manure or animal remains, salt water driftwood or salted materials, unseasoned wood, coal, charcoal, coloured paper, gift wrapping, cardboard, plywood or particleboard. Burning these materials may result in release of toxic fumes or render the appliance ineffective and cause smoke.
- Burn wood directly on the firebricks. Do not elevate grate or otherwise raise the fire.
- Do not store wood within appliance installation clearances or within the space required for re-fueling and ash removal.
- Ashes must be disposed in a metal container with a tight lid and placed on a non-combustible surface well away from the home or structure until completely cool.
- Ensure clearances to combustibles are maintained when building a mantel or shelves above the appliance. Elevated temperatures on the wall or in the air above the appliance can cause melting, discolouration or damage to decorations, a T.V. or other electronic components.
- If equipped, the catalyst must be installed and in good working order. It is recommended that the catalyst is inspected at least 3 times per heating season.

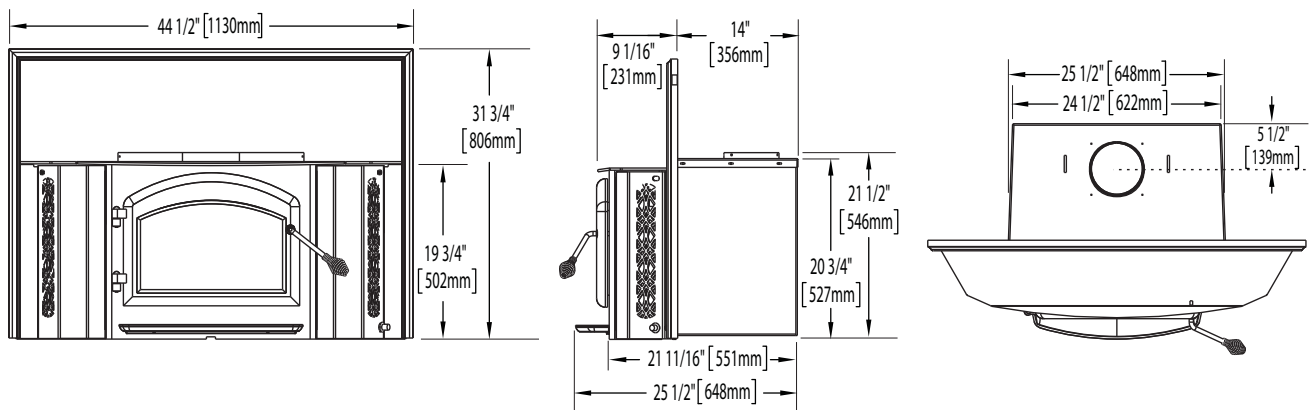
3.17G

2.1 DIMENSIONS

2.1.1 1101 DIMENSIONS (COMPLETE WITH FLASHING)



2.1.2 1402 DIMENSIONS (COMPLETE WITH FLASHING)



2.2 SPECIFICATIONS


Specifications	1101	1402
CHAMBER (D.W.H)	13 1/2x18x12" (343mmx-457mmx305mm)	18x18x12" (457mmx457mmx-305mm)
CAPACITY	1.7 ft ³	2.25 ft ³
APPROX. AREA HEATED**	600-1600 ft ²	800-2000 ft ²
MAXIMUM HEAT OUTPUT***	55,000 BTU/Hr	70,000 BTU/Hr
HEAT OUTPUT*	11,700 - 42,200 BTU/Hr	11,400 - 41,300 BTU/Hr
DURATION LOW FIRE**	7 Hours	9 Hours
WEIGHT W/O BRICKS	185 lbs (84kg)	250 lbs (113kg)
WEIGHT OF BRICKS	110 lbs (50kg)	145 lbs (66kg)
IDEAL FUEL SIZE	12" (305mm)	16" (406mm)
MINIMUM DEPTH	16 1/2" (419mm)	14" (356mm)
MAXIMUM DEPTH	21" (533mm)	14" (356mm)

* As tested using test method 28

** Figures will vary considerably with individual conditions.

***Wolf Steel Ltd. estimated realistic BTU/hr with hardwood logs and regular refueling.

2.3 GENERAL INSTRUCTIONS

 WARNING
ALL WIRING SHOULD BE DONE BY A QUALIFIED ELECTRICIAN AND SHALL BE IN COMPLIANCE WITH LOCAL CODES. IN THE ABSENCE OF LOCAL CODES, USE THE CURRENT CSA22.1 CANADIAN ELECTRIC CODE IN CANADA OR THE CURRENT NATIONAL ELECTRIC CODE ANSI/NFPA NO. 70 IN THE UNITED STATES.
THIS APPLIANCE HAS NOT BEEN TESTED WITH ANY VENTED OR UNVENTED GAS LOG SET. TO REDUCE RISK OF FIRE OR PREVENT INJURY, DO NOT INSTALL A VENTED OR UNVENTED GAS LOG SET INTO THE APPLIANCE.
BURNING YOUR UNIT WITH THE ASH DUMP DOOR OPEN OR AJAR CREATES A FIRE HAZARD THAT MAY RESULT IN DISCOLOURATION TO THE GOLD PLATED DOOR, INTERNAL DAMAGE TO THE APPLIANCE OR A HOUSE CHIMNEY FIRE.
DO NOT CONNECT THIS APPLIANCE TO A CHIMNEY FLUE SERVING ANOTHER APPLIANCE.
THIS APPLIANCE AND IT'S COMPONENTS ARE DESIGNED TO BE INSTALLED AND OPERATED AS A SYSTEM. ANY ALTERATION TO OR SUBSTITUTION FOR ITEMS IN THIS SYSTEM, UNLESS ALLOWED BY THESE INSTALLATION INSTRUCTIONS, WILL VOID THE LISTING AND MAY VOID THE PRODUCT WARRANTY. IT MAY ALSO CREATE A HAZARDOUS INSTALLATION. READ THROUGH THESE INSTRUCTIONS THOROUGHLY BEFORE STARTING YOUR INSTALLATION AND FOLLOW THEM CAREFULLY THROUGHOUT YOUR PROJECT.

4.7

- Before beginning your installation, consult with your local building code agency or fire officials and insurance representative to ensure compliance.
- Non-toxic smoke will be emitted during the paint curing process, to help dissipate the smoke open a window near the appliance.
- Remove any dust or debris off the top of the appliance before firing the appliance as the paint will become soft as the appliance heats up and will harden as the appliance cures. To cure the paint on your appliance burn your appliance moderately hot during the first few fires.
- To keep the gasket from sticking to the appliance as the paint is curing, periodically open the door every 5-10 minutes.
- For the first two weeks, use generous amounts of fuel and burn the appliance with the damper wide open for an hour as the appliance goes through a process of eliminating moisture in the steel and firebricks. The initial heat output will be reduced while the moisture is being drawn from the appliance and it will be necessary to build several hot fires to remove this moisture. **DURING THIS PROCESS DO NOT OVERFIRE THE APPLIANCE. REDUCE THE AMOUNT OF AIR COMING INTO THE APPLIANCE IF THE APPLIANCE OR CHIMNEY BECOMES RED.**

2.4 GENERAL INFORMATION

Your appliance was specifically designed to meet the 1990 U.S.A. EPA particulate emission standards and has been extensively tested in Canadian and American laboratories. This system is the most efficient, simple and trouble free we know and works as follows:

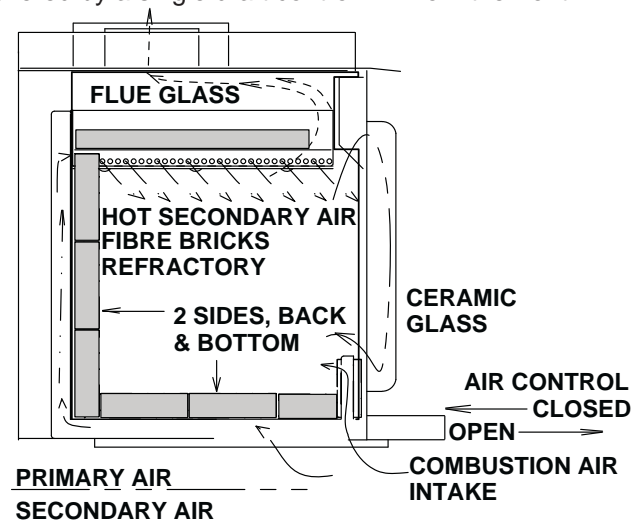
Your appliance is the exact duplication of the clean-burning technology found in all Napoleon EPA certified freestanding stoves and in particular that of the EPA 1100 and 1400. External modifications have been made to allow its installation as a "functional insert" with a heat circulating blower system and a means of enclosing the solid fuel burning fireplace cavity for greater heating efficiency.

The 1101 insert must be installed into a solid fuel burning fireplace that is at least 16 1/2" (419mm) deep, 28 1/2" (724mm) wide and 22" (559mm) high with an approved lined chimney at least 15' (4.6m) high and a hearth of 16" (406mm).

Your 1402 insert must be installed only into a solid fuel burning fireplace that is at least 14 1/2" (368mm) deep, 26" (660mm) wide and 22" (559mm) high with an approved lined chimney at least 15' (4.6m) high and a hearth of 16" (406mm). This minimum recess can only be achieved if the opening height is sufficient enough to allow the connector to fit under the non-combustible facing. The appliance and chimney must be constructed in accordance with all national and local building code standards.

The chimney vent system used on your wood burning appliance should be designed with the least amount of restriction possible to enable the exhaust products to easily flow through it. Chimney vent systems that are too short or too long can also have an adverse affect on the flow of exhaust through it. The wood burning appliance and chimney vent system also require a sufficient supply of combustion air not only to support the combustion in the combustion chamber but to replace the exhaust leaving it so it can flow freely up through the vent system and out into the atmosphere. It is the correct balance of combustion air and the chimney vent system that will ensure the appliance provides you with its optimum performance.

Combustion air enters through two holes in the bottom covered by a single draft control. Air from the front hole goes up on either side of the door into a preheating airwash located across the top and then down the window to feed the fire and also to ensure that the glass remains clean. Air from this hole also feeds directly into the combustion chamber at hearth level. Secondary air from the rear hole travels up the back in the secondary air housing to the manifold located at the top and shoots out laterally to oxidize the gases below the smoke exit. The combustion chamber is lined with high temperature firebrick on 2 sides, the back and across the bottom, with a layer of fibre baffles at the top to maintain a high temperature in the combustion chamber so that gases mixing with the preheated air from the secondary air manifold tube are easily ignited and burned. The appliance sides and back are shielded to direct the heat upwards and forwards into the room.



Be sure to provide sufficient combustion air. There are many other appliances in your home competing for air such as: a kitchen range hood, forced air heating devices or a bathroom exhaust fan.

Expansion / contraction noises during heating up and cooling down cycles are normal and to be expected.

After extended periods of non-operation such as following a vacation or a warm weather season, the appliance may emit a slight odour for a few hours. This is caused by dust particles on the firebox burning off. Open a window to sufficiently ventilate the room.

CALIFORNIA PROP 65 WARNING:

Use of this product may produce smoke which contains chemicals known to the State of California to cause cancer, birth defects, or other reproductive harm.

If you experience smoking problems, you may need to open a door, a window or otherwise provide some method of supplying combustion air to the appliance.

HINT FOR INSTALLING PORCELAIN ENAMEL INSERTS:

Ensure the base of the porcelain side panels are protected from rubbing against the hearth when sliding your insert into the masonry fireplace.



We suggest that our woodburning hearth products be installed and serviced by professionals who are certified in the U.S. by the National Fireplace Institute® (NFI) as NFI Woodburning Specialists or who are certified in Canada by Wood Energy Technical Training (WETT).




2.5 RATING PLATE INFORMATION

EN

For rating plate location, see "INSTALLATION OVERVIEW" section.


This illustration is for reference only. Refer to the rating plate on the appliance for accurate information.

NOTE: The rating plate must remain with the appliance at all times. It must not be removed.



LISTED SOLID FUEL BURNING SPACE HEATER / POÊLE À COMBUSTIBLE SOLIDE
HOMOLOGUÉ TESTÉ TO: / TESTÉ SELON : UL1482 / ULC S627
MODEL / MODÈLE - EPA 1400

Intertek
 9700539 (WSL)
 4001657 (NGZ)
 4001658 (NAC)
 4001659 (WUSA)



INSTALL AND USE ONLY IN ACCORDANCE WITH THE MANUFACTURER'S INSTRUCTIONS AND LOCAL BUILDING CODES.
MINIMUM CEILING HEIGHT: 7FT (2.13m)
HEARTH EXTENSION / COMBUSTIBLE FLOOR PROTECTION: IF INSTALLED ON A COMBUSTIBLE FLOOR, UNIT MUST BE PLACED ON A NON-COMBUSTIBLE FLOOR PROTECTOR EXTENDING 18" (455mm) IN FRONT AND 8" (205mm) TO THE SIDES AND BACK.
CHIMNEY TYPE: MINIMUM 6" (152mm) DIAMETER APPROVED RESIDENTIAL TYPE FOR MOBILE HOME USE A CHIMNEY LISTED TO ULC S629 IN CANADA OR UL 103HT IN THE USA.
CHIMNEY CONNECTOR: 6" (152mm) DIAMETER MINIMUM 24 GAUGE STEEL MINIMUM CLEARANCE FROM HORIZONTAL CONNECTOR AND CEILING 18" (455mm). DO NOT OBSTRUCT SPACE UNDER HEATER.
SPECIAL METHODS ARE REQUIRED WHEN PASSING A CHIMNEY THROUGH A WALL OR CEILING. SEE INSTRUCTIONS AND BUILDING CODES. DO NOT CONNECT THIS UNIT TO A CHIMNEY FLUE SERVING ANOTHER APPLIANCE.
FUEL: FOR USE WITH WOOD ONLY. DO NOT USE GRATE OR ELEVATE FIRE. BUILD WOOD FIRE DIRECTLY ON HEARTH.
WARNING: RISK OF SMOKE SPILLAGE. OPERATE ONLY WITH DOOR FULLY CLOSED. REPLACE GLASS ONLY WITH CERAMIC GLASS. DO NOT OVERFIRE. IF HEATER OR CHIMNEY CONNECTORS SMOKE, YOU ARE OVERFIRING. INSPECT AND CLEAN CHIMNEY FREQUENTLY UNDER CERTAIN CONDITIONS OF USE CREOSOTE BUILDUP MAY OCCUR RAPIDLY.
OPTIONAL LOWER KIT: SEE INSTRUCTION BOOK. 0.52A/1E ROUTE CORD AWAY FROM UNIT.
DANGER: RISK OF ELECTRICAL SHOCK. DISCONNECT POWER BEFORE SERVICING UNIT.
INSERT: INSTALL AND USE ONLY IN MOBILE HOME BURNING FIREPLACES. DO NOT REMOVE BRICKS OR MORTAR FROM SOLID FUEL BURNING FIREPLACE. INSTALL WITH A POSITIVE FLUE CONNECTOR AND FACEPLATE.

POUR INSTALLATION ET UTILISATION CONFORMÈMENT AUX INSTRUCTIONS DU FABRICANT ET AUX CODES LOCAUX DU BÂTIMENT. HAUTEUR DE PLAFOND MINIMAL 7PI (2,13m).
PROLONGEMENT D'ATRE/PROTECTION DU PLANCHER COMBUSTIBLE: SI INSTALLÉ SUR UN PLANCHER COMBUSTIBLE, L'APPAREIL DOIT ÊTRE PLACÉ SUR UNE PLAQUE PROTECTRICE INCOMBUSTIBLE S'ÉTENDANT SUR 18" (455mm) À L'AVANT ET 8" (205mm) À L'ARRIÈRE ET SUR LES CÔTÉS.
TYPE DE CHIMNÉE: DIAMÈTRE MINIMAL DE 6" (152mm) APPROUVÉE POUR USAGE RÉSIDENIEL. MAISON MOBILE EMPLOYE UNE CHIMNÉE HOMOLOGUÉE ULC S629 AU CANADA OU UL 103HT AUX ÉTATS-UNIS.
RACCORD DE CHIMNÉE: DIAMÈTRE DE 6" (152mm) D'ACIER DE CALIBRE 24 MINIMUM. 18" (455mm) DE DÉGAGEMENT MINIMAL ENTRE LE RACCORD HORIZONTAL ET LE PLAFOND. NE RIEN ENTREPOSER SOUS L'APPAREIL. DES MÉTHODES SPÉCIALES SONT REQUISES LORSQU'UNE CHIMNÉE TRAVERSE UN MUR OU UN PLAFOND. VOIR LES INSTRUCTIONS ET LES CODES DU BÂTIMENT. NE PAS RACCORDER À LA CHIMNÉE D'UN AUTRE APPAREIL COMBUSTIBLE. POUR USAGE AVEC LE BOIS SEULEMENT. NE UTILISEZ PAS DE CHENET OU NE SURELÈVEZ PAS LE BOIS. PRÉPAREZ LE FEU DIRECTEMENT SUR L'ATRE.
**AVERTISSEMENT: RISQUE D'ÉCHAPPEMENT DE FUMÉE. TENIR LA PORTE FERMÉE LORSQUE LE POÊLE FONCTIONNE. REMPLACEZ LA VITRE PAR UNE VITRE EN CÉRAMIQUE SEULEMENT. NE SURCHAUFFEZ PAS L'APPAREIL. SURCHAUFFEMENT DES RACCORDS. RABUSSEMENT L'APPAREIL. SURCHAUFFÉE. INSPECTEZ ET NETTOYEZ LA CHIMNÉE RÉGULIÈREMENT. DANS CERTAINES CONDITIONS, DES DÉPÔTS DE CRÉOSOTE PEUVENT SE FORMER RAPIDEMENT.
OPTIONAL LOWER KIT: VOIR LE LIVRE D'INSTRUCTIONS, EP-62, 0.52V, 0.60H, 0.82A. TENEZ LE CORDON ÉLECTRIQUE LOIN DE L'APPAREIL.
DANGER: RISQUE DE SECOURS ÉLECTRIQUE. DÉBRANCHEZ AVANT DE PROCÉDER À L'ENTRETIEN. ENCASTRÉ: INSTALLEZ ET UTILISEZ SEULEMENT DANS UN FOYER À COMBUSTIBLE SOLIDE. NE RETIREZ PAS DE MORTIER, NI BRIQUES DU FOYER À COMBUSTIBLE SOLIDE. INSTALLEZ AVEC UNE GAINÉ CONFORME ET UNE PLAQUE DE RECOURVEMENT.**

CONTACT LOCAL BUILDING FIRE OFFICIALS ABOUT RESTRICTIONS AND INSTALLATION INSPECTION IN YOUR AREA. MODEL 1400 IS SUITABLE FOR USE IN MOBILE HOMES WHEN USED WITH OUTSIDE AIR INSTALLATION KIT (111KT). A MINIMUM CLEARANCE OF 18" (457mm) TO THE CHIMNEY CONNECTOR MAY BE REQUIRED BY THE AUTHORITY HAVING JURISDICTION. RENSEIGNEZ-VOUS AUPRÈS DES AUTORITÉS LOCALES DU BÂTIMENT ET DU SERVICE DES INCENDIES AU SUJET DES RESTRICTIONS ET DES INSPECTIONS D'INSTALLATION DANS VOTRE RÉGION. LES MODÈLES 1400 PEUVENT ÊTRE INSTALLÉS DANS UNE MAISON MOBILE SI INSTALLÉS CONJOINTEMENT AVEC UNE PRISE D'AIR EXTÉRIEUR (111KT). UN DÉGAGEMENT MINIMAL DE 18" (457mm) JUSQU'AU RACCORD DE LA CHIMNÉE PEUT ÊTRE EXIGÉ PAR L'AUTORITÉ AYANT JURISDICTION.

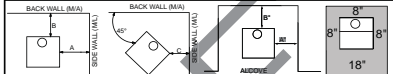
IF THE STOVE IS TO BE INSTALLED ON A COMBUSTIBLE HEARTH PAD, IT MUST BE PLACED ON AN APPROVED NON-COMBUSTIBLE HEARTH PAD, THAT EXTENDS 8" (200mm) BEYOND THE STOVE SIDES AND BACK, AND 18" (455mm) TO THE FRONT.
SI LE POÊLE EST INSTALLÉ SUR UN PLANCHER COMBUSTIBLE, IL DOIT ÊTRE PLACÉ SUR UNE BASE DE PROTECTION INCOMBUSTIBLE CERTIFIÉE QUI DOIT DÉPASSER LES CÔTÉS ET L'ARRIÈRE DU BOÎLE DE 8" (200mm) ET SE PROLONGER DE 18" (455mm) SUR LE DEVAINT.
MINIMUM CLEARANCE TO COMBUSTIBLE MATERIAL WITH SINGLE WALL CHIMNEY CONNECTOR / DÉGAGEMENTS MINIMAUX AUX MATÉRIAUX COMBUSTIBLES AVEC RACCORD DE CHIMNÉE À PAROI SIMPLE:

RESIDENTIAL / RÉSIDENIEL		MAISON / MOBILE HOME*	
1400	S4	1400	S4
12IN/PO (305 mm)	12IN/PO (305 mm)	12IN/PO (305 mm)	12IN/PO (305 mm)
6IN/PO (152 mm)	6IN/PO (152 mm)	6IN/PO (152 mm)	6IN/PO (152 mm)

USING DOUBLE WALL CONNECTOR / UTILISATION D'UN CONDUIT DE RACCORDEMENT À DOUBLE PAROI:

1400	S4	1400	S4
10IN/PO (254 mm)	16IN/PO (406 mm)	10IN/PO (254 mm)	16IN/PO (406 mm)
6IN/PO (152 mm)	6IN/PO (152 mm)	6IN/PO (152 mm)	6IN/PO (152 mm)
4IN/PO (102 mm)	4IN/PO (102 mm)	4IN/PO (102 mm)	4IN/PO (102 mm)

*MODELS 1400 AND S4 MAY BE INSTALLED INTO A MOBILE HOME IN THE UNITED STATES ONLY.
 *LE MODÈLES 1400 ET S4 NE PEUT ÊTRE INSTALLÉ QUE DANS UNE MAISON MOBILE AUX ÉTATS-UNIS SEULEMENT.

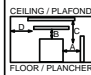


THIS WOOD APPLIANCE NEEDS PERIODIC INSPECTION AND REPAIR FOR PROPER OPERATION. CONSULT THE OWNER'S MANUAL FOR FURTHER INFORMATION. IT IS AGAINST UNITED STATES FEDERAL REGULATIONS TO OPERATE THIS WOOD APPLIANCE IN A MANNER INCONSISTENT WITH THE OPERATING INSTRUCTIONS IN THE OWNER'S MANUAL. CET APPAREIL AU BOIS DOIT FAIRE L'OBJET D'UNE INSPECTION ET D'UN ENTRETIEN PÉRIODIQUES POUR UN FONCTIONNEMENT ADEQUAT. CONSULTEZ LE MANUEL D'INSTRUCTIONS POUR PLUS D'INFORMATION. LES RÉGLEMENTS FÉDÉRAUX DE LÉTATS-UNIS INTERDISSENT D'UTILISER CET APPAREIL DE CHAUFFAGE D'UNE MANIÈRE ALLANT À L'ENCONTRE DES INSTRUCTIONS DE FONCTIONNEMENT CONTENUES DANS CE MANUEL.

LISTED SOLID FUEL BURNING FIREPLACE INSERT / ENCASTRÉ À COMBUSTIBLE SOLIDE HOMOLOGUÉ
 TESTED TO / TESTÉ SELON : ULC S628 / UL 1482

EPI 1402

CLEARANCES TO COMBUSTIBLE CONSTRUCTION / DÉGAGEMENTS AUX MATÉRIAUX COMBUSTIBLES (MEASURED TO UNIT / À PARTIR DE L'APPAREIL):

CEILING / PLAFOND	A SIDE FACING / CÔTÉ	1 IN/PO (25mm)*
	B TOP FACING / DESSUS	28 IN/PO (710mm)
	C MANTEL / TABLETTE	28 IN/PO (710mm)
	D SIDE WALL / MUR LATÉRAL	17 IN/PO (430mm)

*CLEARANCE TO EDGE OF FLASHING / DÉGAGEMENT AU BORD DE LA FAÇADE

MANUFACTURE DATE: / DATE DE FABRICATION:

YEAR: 2016 2017 2018 2019 2020

MONTH: 1 2 3 4 5 6 7 8 9 10 11 12

CAUTION: HOT WHILE IN OPERATION. DO NOT TOUCH. KEEP CHILDREN, CLOTHING AND FURNITURE AWAY. CONTACT MAY CAUSE SKIN BURNS.

ATTENTION: QUAND L'APPAREIL FONCTIONNE, LA SURFACE DEVIENT CHAUDE. NE PAS TOUCHER. TENIR LES ENFANTS, LES VÊTEMENTS ET LES MEUBLES À L'ÉCART. LE CONTACT PEUT CAUSER DES BRÛLURES À LA PEAU.

U.S. ENVIRONMENTAL PROTECTION AGENCY Certified to comply with 2015 particulate emissions standards. Not approved for sale after May 15, 2020. Certifié conforme à la norme d'émission de particules de 2020. Non approuvé pour la vente après le 15 mai, 2020. 40 CFR Part 60, Subpart AAA. 3.5 Grams Per Hour / 2015 Crib Wood / 3.5 Grammes par heure / Crib Wood 2015

WOLF STEEL LTD.
 24 NAPOLEON ROAD, BARRIE, ON, L4M 0G8 CANADA

EPA1400

W385-2031 / A

1400 SERIES RATING PLATE ILLUSTRATED

3.0 INSTALLATION PLANNING

Clean all ashes out of the inside of the existing fireplace opening. Make sure that the chimney and fireplace are free of cracks, loose mortar, creosote deposits, blockage or other signs of deterioration. If necessary, have any repair work done by a qualified professional before installing the insert.

Do **NOT** remove bricks or mortar from the fireplace. In case of an outside air inlet or ash dump, fill with fiberglass insulation. Adhere to minimum clearances as illustrated.

Do **NOT** place any combustible materials (furniture, firewood, etc.) within 48"(1219mm) in front of 36" (914mm) at the sides of the insert.

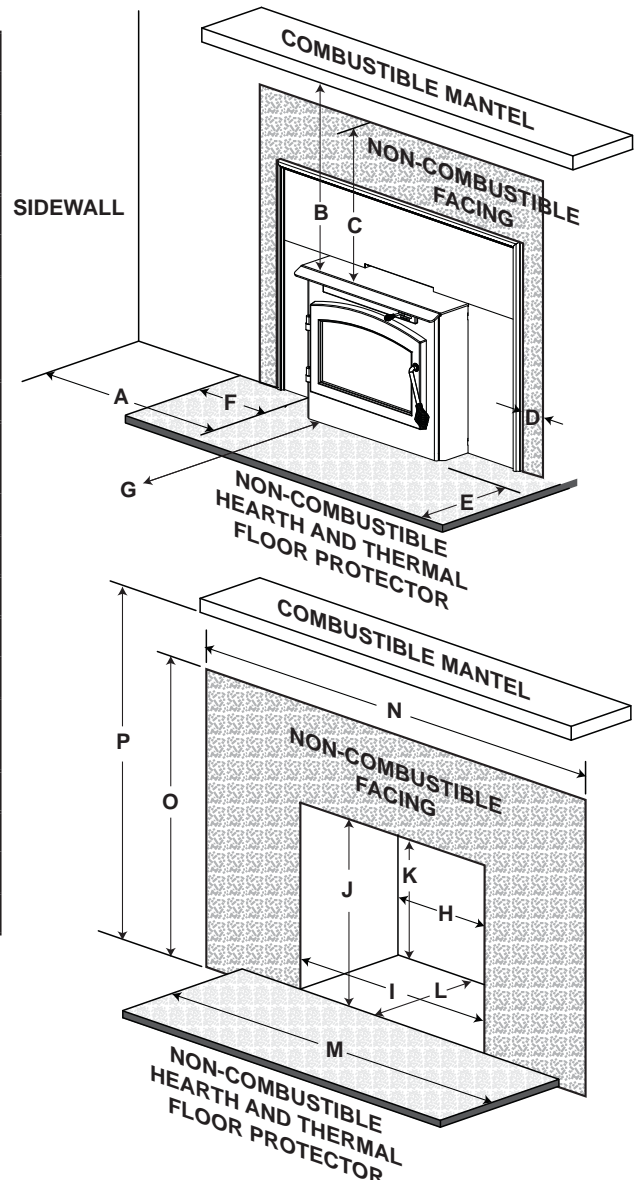
Combustible material must not protrude more than 1" (25mm) to the side of the insert or between the mantel and the top of the insert.

3.1 MINIMUM CLEARANCE TO COMBUSTIBLES

MINIMUM CLEARANCES			
		1101	1402
A	Sidewall	17" (432mm)	17" (432mm)
B	Mantel	28" (711mm)	28" (711mm)
C	Top facing	28" (711mm)	28" (711mm)
D	Side facing	1" (25mm)	
E	Hearth (front)	Canada 18" (455mm) US 16" (406mm)	Canada 18" (455mm) US 16" (406mm)
F	Hearth (side)	8" (203mm)	8" (203mm)
G	Objects in front of insert	48" (1219mm)	48" (1219mm)
MINIMUM FIREPLACE SIZE			
H	Width (rear)	24" (610mm)	25" (635mm)
I	Width (front)	28.5" (724mm)	26" (660mm)
J	Height (front)	22" (558mm)	22" (558mm)
K	Height (rear)	22" (558mm)	22" (558mm)
L	Depth	16 1/2" (419mm) to 21" (533mm)	14 1/2" (368mm)
M	Hearth width	39" (990mm)	39" (990mm)
N	Facing width	46 1/2" (1181mm)	46 1/2" (1181mm)
O	Facing height	48 1/2" (1232mm)	47 3/4" (1213mm)
P	Mantel	48 1/2" (1232mm)	47 3/4" (1213mm)

HEARTH EXTENSION / FLOOR PROTECTION:

Must be non-combustible and extend in front of the insert and 8" (203mm) on both sides with a minimum thickness of 1/2" (13mm) and a thermal conductivity factor (K) 0.84.



4.0 INSTALLATION

WARNING

WEAR GLOVES AND SAFETY GLASSES FOR PROTECTION.

CAREFULLY FOLLOW THE INSTRUCTIONS FOR ASSEMBLY OF THE PIPE AND OTHER PARTS NEEDED TO INSTALL THE APPLIANCE. FAILURE TO DO SO MAY RESULT IN A FIRE, ESPECIALLY IF COMBUSTIBLES ARE TOO CLOSE TO THE APPLIANCE OR CHIMNEY AND AIR SPACES ARE BLOCKED, PREVENTING THE FREE MOVEMENT OF COOLING AIR.

DO NOT DRAW OUTSIDE AIR FROM GARAGE SPACES. EXHAUST PRODUCTS OF GASOLINE ENGINES ARE HAZARDOUS. DO NOT INSTALL OUTSIDE AIR DUCTS SUCH THAT THE AIR MAY BE DRAWN FROM ATTIC SPACES, BASEMENTS OR ABOVE THE ROOFING WHERE OTHER HEATING APPLIANCES OR FANS AND CHIMNEYS EXHAUST OR UTILIZE AIR. THESE PRECAUTIONS WILL REDUCE THE POSSIBILITY OF APPLIANCE SMOKING OR AIR FLOW REVERSAL. THE OUTSIDE AIR INLET MUST REMAIN CLEAR OF LEAVES, DEBRIS ICE AND/OR SNOW. IT MUST BE UNRESTRICTED WHILE APPLIANCE IS IN USE TO PREVENT ROOM AIR STARVATION WHICH CAN CAUSE SMOKE SPILLAGE AND AN INABILITY TO MAINTAIN A FIRE. SMOKE SPILLAGE CAN ALSO SET OFF SMOKE ALARMS.

NEGATIVE PRESSURE WITHIN YOUR HOME MAY INADVERTENTLY AFFECT YOUR APPLIANCE.

TO PREVENT CONTACT WITH SAGGING OR LOOSE INSULATION, THE APPLIANCE MUST NOT BE INSTALLED AGAINST VAPOUR BARRIERS OR EXPOSED INSULATION. LOCALIZED OVERHEATING COULD OCCUR AND A FIRE COULD RESULT.

DO NOT USE MAKESHIFT COMPROMISES DURING INSTALLATION. DO NOT BLOCK OR RESTRICT AIR, GRILLE OR LOUVRE OPENINGS. DO NOT ADD A HOOD.

TO PREVENT PERSONAL INJURY KEEP HAND TOOLS IN GOOD CONDITION, SHARPEN CUTTING EDGES AND MAKE SURE TOOL HANDLES ARE SECURE.

ALWAYS MAINTAIN THE MINIMUM AIR SPACE REQUIRED TO THE ENCLOSURE TO PREVENT FIRES.

68.3C

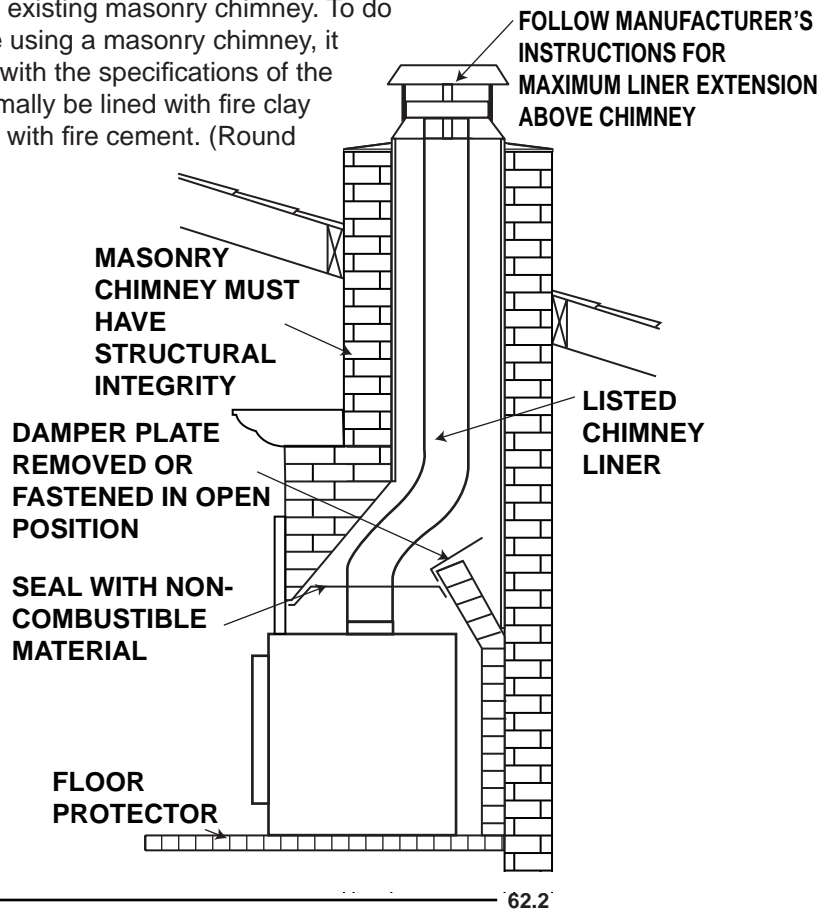
Chimney and liner must be in good condition and kept clean.

4.1 TYPICAL EXISTING MASONRY

! WARNING

DO NOT CONNECT THIS APPLIANCE TO A CHIMNEY FLUE SERVING ANOTHER APPLIANCE. DO NOT CONNECT TO ANY AIR DISTRIBUTION DUCT OR SYSTEM.

You can install your appliance using your existing masonry chimney. To do so, follow the guidelines below. If you are using a masonry chimney, it is important that it be built in compliance with the specifications of the Building Code in your region. It must normally be lined with fire clay bricks, metal or clay tiles sealed together with fire cement. (Round flues are the most efficient).



- A. Remove the fireplace damper or fasten it permanently open.
 * We recommend the following method of sealing off the damper area around the liner.
- B. * Measure the throat of the fireplace and mark this shape on a piece of 24 gauge sheet metal (flue cover); cut a six-inch (6 3/4" / 171mm) hole to lie directly below the fireplace flue opening. Allow two inches of material for a flange on all sides and cut to these measurements. Bend down the flanges. If you have never done this before, it might be a good idea to make a cardboard pattern and test it first. Fasten this flue cover in position as high as possible with two masonry screws per side through the flanges into the fireplace.

In Canada: Install a listed 6" (152mm) diameter flexible stainless steel liner from the top of the chimney to the insert flue collar. Attach a stainless steel liner connector or elbow to the liner and insert onto the flue collar. Fasten with three screws. Secure the top of the liner to the chimney cap using a liner support and chimney flashing. Cap the top of the chimney liner assembly using an approved rain cap.

In the United States: While it is not required, it is recommended that a chimney liner be installed that is continuous from the insert to the top of the chimney, particularly when the insert is installed in a basement. For this type of connection, use the "In Canada" installation instructions above. If a continuous liner is not installed, a "direct flue connection" must be made. The direct flue connection requires a non-combustible connector that extends from the insert into the chimney flue liner and also that the installed flue cover be sealed below the entry point of the connector to prevent dilution of combustion products in the chimney flue with air from inside the house. Cap the top of the chimney using an approved rain cap.

4.2 FACTORY BUILT FIREPLACE

The following installation requirements must be observed when installing solid fuel burning inserts into factory built fireplaces.

- A. The factory built fireplace must be listed per UL 127 or ULC S610.
- B. Clearances to any combustible material surrounding this insert as identified must be followed. These clearance requirements supersede any pre-existing facing material clearances listed for the factory built fireplace.
- C. Installation must include a full height listed chimney liner meeting HT requirements (2100°F/1149°C) as required in UL 1777 (U.S.) or ULC S635 (Canada). The liner must be securely attached to the insert flue collar and the chimney top.
- D. Means must be provided to prevent room air passage to the chimney cavity of the fireplace. This may be accomplished by sealing the damper area around the chimney liner, or sealing the appliance front.
- E. The air flow within and around the appliance shall not be altered by the installation of the insert (i.e. no louvres or cooling air inlet or outlet ports are blocked), unless specifically tested as such for each factory built fireplace manufacturer and model line. **NOTE: Using a louvered face plate (surround) complies with this requirement.**
- F. Alteration of the appliance in any manner is not permitted with the following exceptions;
 - A. External trim pieces which do not affect the operation of the appliance may be removed providing they can be stored on or within the fireplace for reassembly if the insert is removed.
 - B. The chimney damper may be removed to install the chimney liner.
- G. Circulating air chambers (i.e. in a steel fireplace liner or metal heat circulator) shall not be blocked.
- H. Means must be provided for removal of the insert to clean the chimney flue.
- I. Inserts that project in front of the fireplace must be supplied with appropriate support means.
- J. A permanent metal warning label must be attached to the back of the fireplace stating that the fireplace must be restored to its original condition for safe use without the insert.

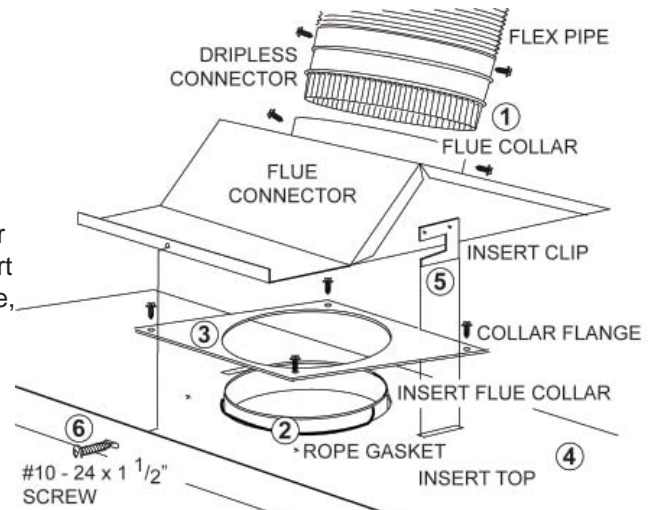
80.2B

4.3 LOW CLEARANCE FLUE CONNECTOR (1402)

An optional low clearance flue connector is available to facilitate hook up into a tight fitting fireplace. Consult your local dealer for details.

NOTE: This kit should be used in conjunction with a dripless connector between the flue collar and flex liner.

- A. Having ensured that the chimney is thoroughly clean, install the flex liner. Insert a dripless connector into the flue collar. Attach the flex liner to other end of the adapter. Secure using 6 - #8 screws.
- B. Coil the rope gasket around the insert flue collar sealing the gap between the collar and the insert top. Using 4 - #8 screws, attach the collar flange, squeezing the gasket tightly into place.
- C. Move the insert into place in the fireplace. Maneuver the insert clips into the two slots located on the insert top by reaching through the insert flue collar from inside the insert.
- D. Thread the #10 - 24 screw through the slot located on the insert top and into the threaded hole on the flue connector, allowing the flue connector to be drawn forward into place.



NOTE: Check for a good seal between the insert top and the flue connector (by holding a flashlight up through the insert collar, etc.).

5.0 FINISHING

5.1 BRICKS AND BAFFLES INSTALLATION

! WARNING

OPERATION OF THE APPLIANCE WITHOUT THE BAFFLES CAN RESULT IN EXCESSIVE TEMPERATURES THAT COULD DAMAGE THE APPLIANCE, CHIMNEY AND THE SURROUNDING ENCLOSURE.

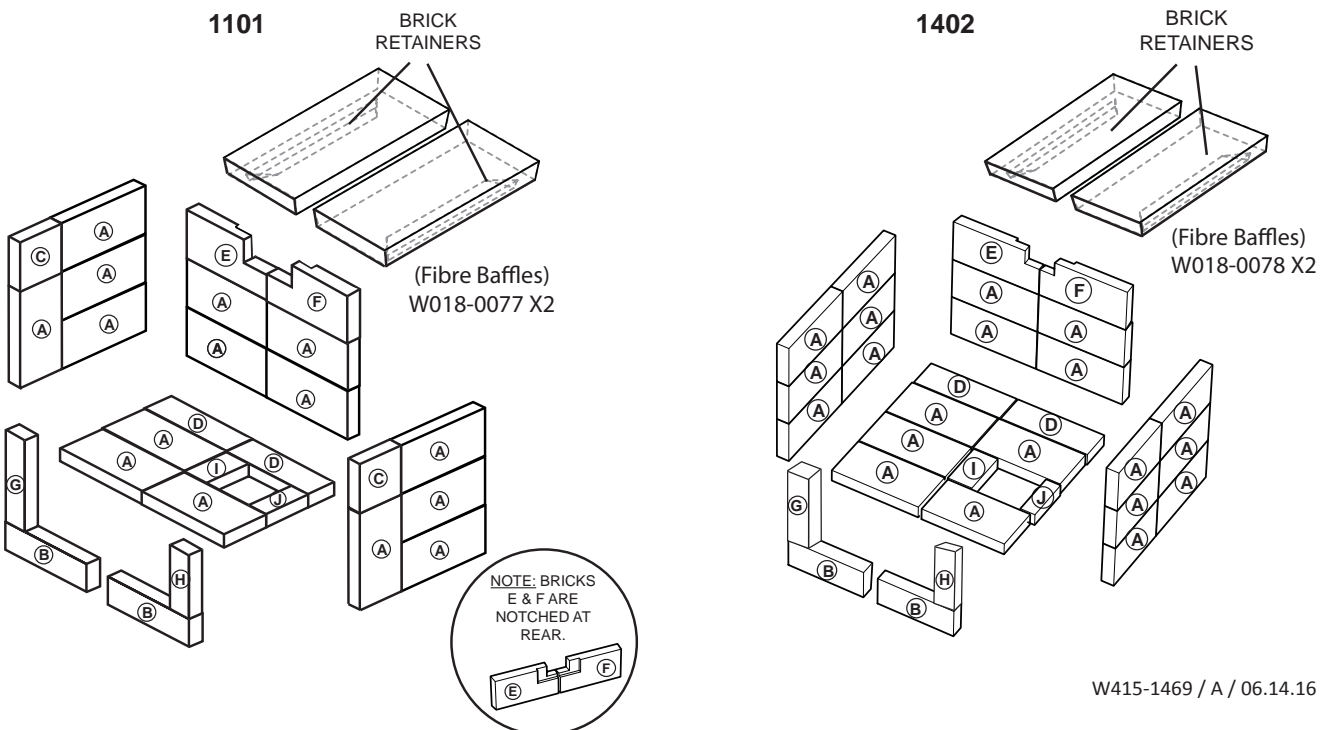
EN

- A. Install (1101) four (A) bricks and one (C) brick or (1402) six (A) bricks along both sides of the appliance. Before installing the back bricks, loosen the screw holding the retainer and ensure that it has been moved forward. Install the four (A) bricks and two (D) bricks along the back wall by pivoting the bricks up under the brick retainer. Retighten the screw. **NOTE: Center (D) bricks have been notched.**
- B. Carefully pivot fibre baffle (G) and (H) up onto the top of the side brick. Slide it over onto the flange of the manifold. Ensure that the top baffles are pushed all the way to the rear of the firebox, leaving a minimum of a 1" (25mm) gap along the front. This will allow the flue gases to escape the firebox.
- C. Install the bottom (1101) four (A) bricks and two (B) bricks or (1402) six (A) bricks and two (B) bricks, working from the back of the appliance forward.
- D. Install the two (B) bricks, one (E) brick and one (F) brick along the front as illustrated.


NOTE: Do not operate if baffle and manifold shield are not in position.

All Firebricks are 1 1/4" (32mm) Thick

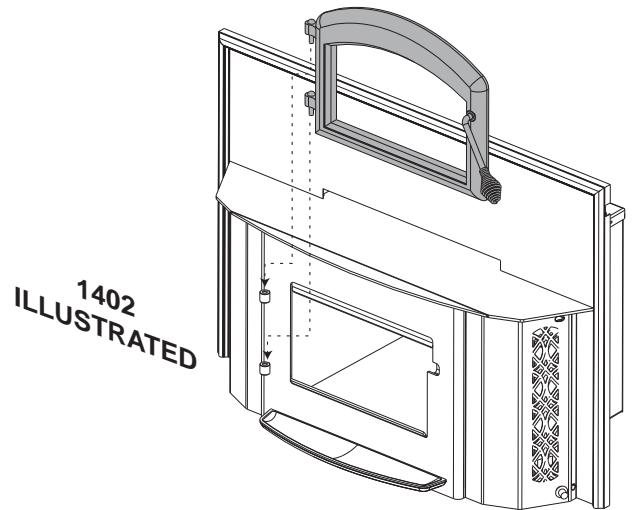
FIREBRICK DIMENSIONS		PART #		FIREBRICK DIMENSIONS		PART #	
		1101	1402			1101	1402
A	4 1/2" x 9" (114mm x 229mm)	W090-0001 X15	W090-0001 X21	F	4 1/2" x 9" (Notched) (114mm x 229mm)	W090-0208 X1	W090-0208 X1
B	3" x 9" (Molded) (6mm x 229mm)	W090-0002 X2	W090-0002 X2	G	2 1/4" x 9" (57mm x 229mm)	W090-0018 X1	W090-0018 X1
C	4 1/2" x 4 1/2" (114mm x 144mm)	W090-0003 X2	N/A	H	2 1/4" x 6 1/8" (64mm x 121mm)	W090-0019 X1	W090-0019 X1
D	3" x 9" (76mm x 229mm)	W090-0166 X2	W090-0166 X2	I	2 1/2" x 4 1/2" (64mm x 114mm)	W090-0016 X1	W090-0016 X1
E	4 1/2" x 9" (Notched) (114mm x 229mm)	W090-0207 X1	W090-0207 X1	J	1 1/2" x 4 1/2" (38mm x 114mm)	W090-0017 X1	W090-0017 X1



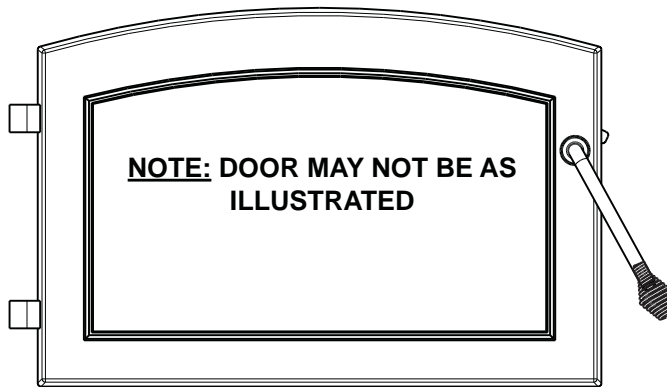
5.2 DOOR REMOVAL / INSTALLATION

 WARNING
BURNING YOUR APPLIANCE WITH THE DOORS OPEN OR AJAR CREATES A FIRE HAZARD THAT MAY RESULT IN A HOUSE AND/OR CHIMNEY FIRE.
DO NOT STRIKE OR SLAM DOOR.
NEVER REMOVE THE DOOR WHEN THE APPLIANCE IS HOT.

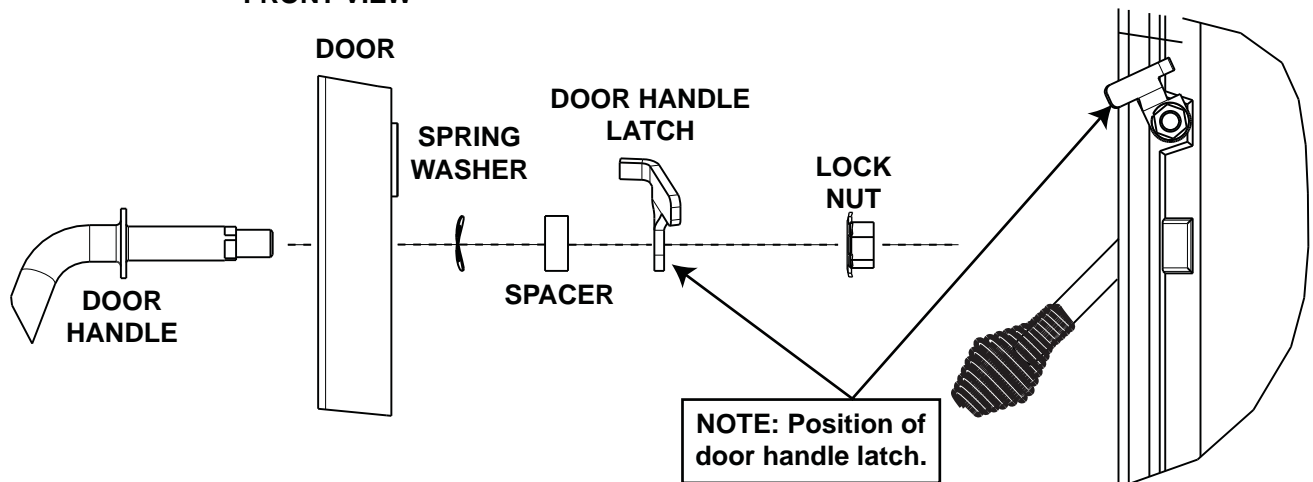
Hang the door using the hinge pins supplied.



5.3 DOOR HANDLE INSTALLATION



FRONT VIEW



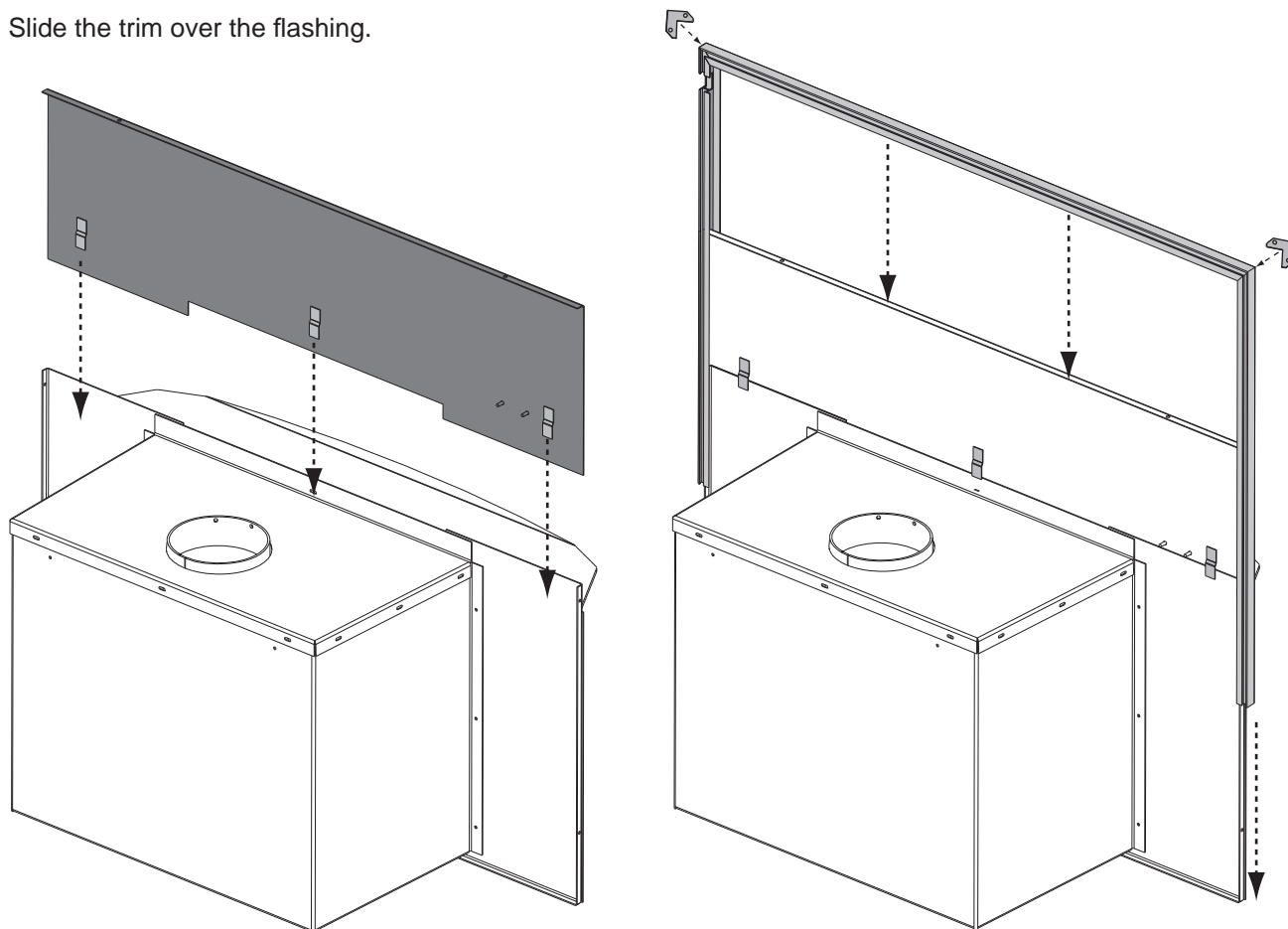
98.1

Twist the large wire handle over the end of the handle rod. Twist the smaller wire handle over the end of the air damper rod below the door.

5.4 FLASHING INSTALLATION

The top flashing has been shipped flat. To install the flashing, rest the bottom against the top of the appliance and secure using the tabs as illustrated below.

Slide the trim over the flashing.



1402 illustrated. For 1101 flashing instructions, please refer to the leaflet provided within the flashing kit.

6.0 OPERATION

EN

WARNING

ALWAYS OPERATE THIS APPLIANCE WITH THE DOOR CLOSED AND LATCHED EXCEPT DURING START UP AND RE-FUELING. ALWAYS WEAR GLOVES TO PREVENT INJURY. DO NOT LEAVE THE FIRE UNATTENDED WHEN THE DOOR IS UNLATCHED AS UNSTABLE WOOD COULD FALL OUT OF THE FIRE CHAMBER CREATING A FIRE HAZARD TO YOUR HOME.

NEVER LEAVE CHILDREN UNATTENDED WHEN THERE IS A FIRE BURNING IN THE APPLIANCE.

NEVER USE GASOLINE, GASOLINE-TYPE LANTERN FUEL, KEROSENE, CHARCOAL LIGHTER FLUID, OR SIMILAR LIQUIDS TO START OR 'FRESHEN UP' A FIRE IN THIS APPLIANCE. KEEP ALL SUCH LIQUIDS WELL AWAY FROM THE APPLIANCE WHILE IT IS IN USE.

OBJECTS PLACED IN FRONT OF THE APPLIANCE SHOULD BE KEPT A MINIMUM OF 48" FROM THE FRONT FACE.

ANY MODIFICATION OF THE APPLIANCE THAT HAS NOT BEEN APPROVED IN WRITING BY THE TESTING AUTHORITY IS CONSIDERED BREACHING CSA B365 (CANADA) AND ANSI NFPA 211 (USA).

OPEN AIR CONTROL (AND DAMPER WHEN FITTED) BEFORE OPENING FIRING DOOR.

HOT WHILE IN OPERATION, KEEP CHILDREN, CLOTHING AND FURNITURE AWAY. CONTACT MAY CAUSE SKIN BURNS. WEAR GLOVES TO OPERATE YOUR APPLIANCE.

BURNING YOUR APPLIANCE WITH THE DOORS OPEN OR AJAR CREATES A FIRE HAZARD THAT MAY RESULT IN A HOUSE AND OR CHIMNEY FIRE.

THIS WOOD APPLIANCE HAS A MANUFACTURER-SET MINIMUM LOW BURN RATE THAT MUST NOT BE ALTERED. IT IS AGAINST FEDERAL REGULATIONS IN THE UNITED STATES TO ALTER THIS SETTING OR OTHERWISE OPERATE THIS WOOD APPLIANCE IN A MANNER INCONSISTENT WITH OPERATING INSTRUCTIONS IN THIS MANUAL.

Your Napoleon EPA listed product is designed with the most advanced technology. The appliance is extremely airtight. It has an exclusive direct outside air supply (optional kit), a safety feature designed to prevent spillage, and to keep your house free of carbon monoxide, in case of a down drafting chimney or an internal negative pressure.

The first fire(s) in your appliance will be difficult to get going and keep going with little amount of heat being generated. This is a result of the moisture being driven out of the fire brick. During the break-in period (the first 2 or 3 fires) create only small, fires using kindling; this will allow the firebrick to cure. Do not be alarmed if small hairline cracks develop in the firebrick. This is a normal occurrence and does not pose a safety hazard. The paint may also smell a little for the first few fires as it cures and you may wish to open a door or window to alleviate the smell.

To start, a brisk fire is required. Place loosely crumpled paper on the floor of the appliance and cover with dry kindling. Open the draft control fully by pulling the lever forward. Light the paper and leave the door slightly ajar (one inch) until all kindling is burning. To maintain a brisk fire, a hot coal bed must be established and maintained.

Slowly add larger wood (2x4 size pieces). Lay the pieces lengthwise from side to side in the hot coal bed with a shallow trench between, so that the primary air can flow directly into this trench and ignite the fuel above. When the fire seems to be at its peak, medium sized logs may be added. Once these logs have caught fire, carefully close the door. (Closing the door too quickly after refuelling will reduce the firebox temperature and result in an unsatisfactory burn.) Remember it is more efficient to burn medium sized wood, briskly, and refuel frequently than to load the appliance with large logs that result in a smouldering, inefficient fire and dirty glass. As soon as the door is closed, you will observe a change in the flame pattern. The flames will get smaller and lazier because less oxygen is getting into the combustion chamber. The flames, however, are more efficient. The flames will remain lazy but become larger again as soon as the firebricks have been heated thoroughly and the chimney becomes heated and provides a good draft. At this point, the roaring fire that you see when the door is opened is wastefully drawing heated room air up the chimney -- certainly not desirable. Always operate with the door fully closed once the medium sized logs have caught fire.

You can now add larger pieces of wood and operate the appliance normally. Once the appliance is entirely hot, it will burn very efficiently with little smoke from the chimney. There will be a bed of orange coals in the firebox and secondary flames flickering just below the top firebrick. You can safely fill the firebox with wood to the top of the door and will get best burns if you keep the appliance pipe temperatures between 250°F (120°C) and 450°F (270°C). A surface thermometer placed on the front top will help regulate this.

Without an appliance thermometer, you are working blindly and have no idea of how the appliance is operating! An appliance thermometer offers a guide to performance.

Can't get the fire going?

Use more kindling and paper. Assuming the chimney and vent are sized correctly and there is sufficient combustion air, the lack of sufficiently dry quantities of small kindling is the problem. Thumb size is a good gauge for small kindling diameter.

Can't get heat out of the appliance?

One of two things may have happened. The appliance door may have been closed prematurely and the appliance itself has not reached optimum temperature. Reopen the door and/or draft control to re-establish a brisk fire. The other problem may have been wet wood. The typical symptom is sizzling wood and moisture being driven from the wood.

6.1 OPTIMUM BURN METHOD

For optimal emissions performance and efficiency follow these simple guidelines when using your appliance:

- A.** Maintain a 2" (51mm) deep, hot, glowing red coal bed.
- B.** Burn dry seasoned wood with less than 20% moisture content and burn so that the glass door remains clean.
- C.** A stove thermometer should indicate 350°F (176°C) as an average temperature.
- D.** Maintain a minimal trace of smoke coming from the chimney when the appliance is burning as intended.
- E.** Inspect and replace all necessary components such as gaskets, manifolds, glass and other components which may affect the overall appliance performance.
- F.** Ensure an adequate draft to control burn rate and temperature.

Refer to "OPERATION" and "MAINTENANCE" sections for detailed information.

6.2 BLOWER

! WARNING
RISK OF FIRE AND ELECTRICAL SHOCK.
TURN OFF THE ELECTRICAL POWER BEFORE SERVICING THIS APPLIANCE.
USE ONLY WOLF STEEL APPROVED OPTIONAL ACCESSORIES AND REPLACEMENT PARTS WITH THIS APPLIANCE. USING NON-LISTED ACCESSORIES (BLOWERS, DOORS, LOUVRES, TRIMS, ETC.) COULD RESULT IN A SAFETY HAZARD AND WILL VOID THE WARRANTY AND CERTIFICATION.
ENSURE THAT THE BLOWER'S POWER CORD IS NOT IN CONTACT WITH ANY SURFACE OF THE APPLIANCE TO PREVENT ELECTRICAL SHOCK OR FIRE DAMAGE. DO NOT RUN THE POWER CORD BENEATH THE APPLIANCE.

Drywall dust will penetrate into the blower bearings, causing irreparable damage. Care must be taken to prevent drywall dust from coming into contact with the blower or its compartment. Any damage resulting from this condition is not covered by the warranty policy. Use of the blower increases the output of heat.

The 1402 insert comes equipped with two blowers, while the 1101 has one blower. These blowers are thermally activated and will not operate until the thermal switch reaches temperature (approximately 15-30 minutes depending on the intensity of the fire). The thermal switch for the 1402 is located on the right hand side of the unit and the 1101 has a thermal switch located at the back on the blower access door. When first starting the fire, the switch may be impeded by a large log or an unevenly burning fire, causing the blowers to cycle on and off. To control this, either build your fire up evenly or turn down the blowers until the right side of the firebox is hot.

6.3 AIR CONTROL

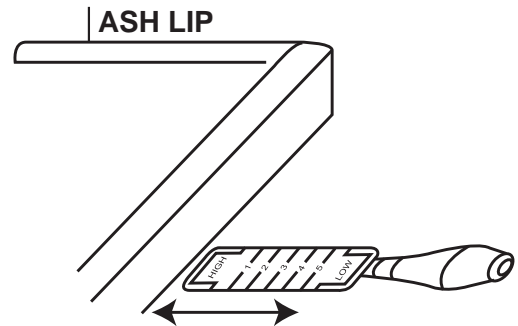
! WARNING
THIS WOOD APPLIANCE HAS A MANUFACTURER-SET MINIMUM LOW BURN RATE THAT MUST NOT BE ALTERED. IT IS AGAINST FEDERAL REGULATIONS IN THE UNITED STATES TO ALTER THIS SETTING OR OTHERWISE OPERATE THIS WOOD APPLIANCE IN A MANNER INCONSISTENT WITH OPERATING INSTRUCTIONS IN THIS MANUAL.

Draft is the force which moves air from the firebox up through the chimney. The amount of draft in your chimney depends on the length and diameter of chimney, local geography, nearby obstructions and other factors including the amount of heat generated by the fire which can be measured by an appliance thermometer.

Adjusting the air control regulates the temperature. The draft can be adjusted from a low burn rate with the handle in fully, to a fast burn rate with the handle fully out.

Inadequate draft may cause back-puffing into the room through the appliance and chimney connector points and may cause plugging of the chimney. Too much draft may cause an excessive temperature in the appliance, glowing red appliance parts or chimney connectors or an uncontrollable burn which can lead to a chimney fire or permanent damage to the appliance.

Do not operate your appliance for longer than 30 minutes with the draft control on "HIGH" (fully open).




6.4 FIRE EXTINGUISHERS / SMOKE & CARBON MONOXIDE DETECTORS

NOTE: Always check your smoke and CO detectors are working properly.

All homes with a solid fuel burning appliance should have at least one fire extinguisher in a central location, known to all, at least one smoke detector and carbon monoxide (CO) detector in the room containing the appliance. If the smoke detector sounds an alarm, correct the cause but do not de-activate or relocate the smoke detector. If the carbon monoxide detector sounds an alarm, immediately vent the area, evacuate and call your local fire department.

6.5 FUEL

 WARNING
THIS APPLIANCE IS DESIGNED TO BURN NATURAL WOOD ONLY. DO NOT BURN TREATED WOOD, COAL, CHARCOAL, COLOURED PAPER, CARDBOARD, SOLVENTS OR GARBAGE. THIS APPLIANCE HAS NOT BEEN TESTED WITH AN UNVENTED GAS LOG SET. TO REDUCE RISK OF FIRE OR INJURY, DO NOT INSTALL AN UNVENTED GAS LOG SET INTO THE APPLIANCE.
HIGHER EFFICIENCIES AND LOWER EMISSIONS GENERALLY RESULT WHEN BURNING AIR DRIED SEASONED HARDWOODS, AS COMPARED TO SOFTWOODS OR TOO GREEN OR FRESHLY CUT HARDWOODS.
BURNING WET UNSEASONED WOOD CAN CAUSE EXCESSIVE CREOSOTE ACCUMULATION. WHEN IGNITED IT CAN CAUSE A CHIMNEY FIRE THAT MAY RESULT IN A SERIOUS HOUSE FIRE.
DO NOT STORE FUEL WITHIN THE CLEARANCE TO COMBUSTIBLES, OR IN THE SPACE REQUIRED FOR RE-FUELING AND ASH REMOVAL.

When loading the appliance, ensure that the upper fibre baffle is situated properly. For maximum efficiency, when the appliance is thoroughly hot, load it fully to the top of the door opening and burn at a medium low setting. The whiteness of the bricks and the cleanliness of the glass are good indicators of your operating efficiency. Not enough heat is produced when only a few pieces of wood are burned or the wood may not burn completely.

Fuel for the appliance must not be stored closer than the required clearances to combustibles (heat sensitive material). **NEVER STORE WOOD IN THE ASH PAN COMPARTMENT (if applicable).**

NOTE: When loading the appliance, ensure to keep fuel back from the glass. If coals are to accumulate on the front lip, there is a chance they will fall out when the door is opened.

Burn only dry, clean unpainted wood that has been seasoned. It produces more heat and less soot or creosote. Freshly cut wood contains about 50% moisture while after proper seasoning only about 20% of the water remains. As wood is burned, this water boils off consuming energy that should be used in heating. The wetter the wood, the less heat is given off and the more creosote is produced. Dry firewood has cracks in the end of the grain.

Both hardwood and softwood burn equally well in this appliance but hardwood is denser, will weigh more per cord and burn a little slower and longer.

Firewood should be split and stacked in a manner that air can get to all parts of it and covered in early spring to be ready for burning that fall. Dry firewood has cracks in the end grain.

Cut the wood so that it will fit horizontally, front to back, making for easier loading and less of a likelihood that the wood will roll onto the glass.

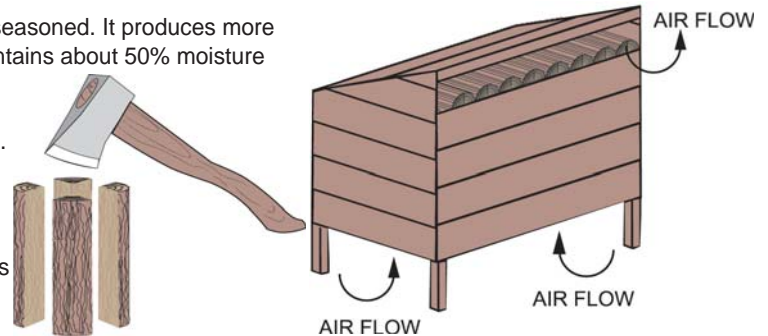
Manufactured firelogs made by compressing 100% natural wood fibre can be safely used as fuel. Do not use manufactured firelogs if they contain additives such as paraffin, wax, binders etc. Never burn more than two manufactured firelogs at a time.

DO'S

- Build a hot fire.
- Verify with a moisture meter that wood contains no more than 20% moisture content.
- Several pieces of medium sized wood are better than a few big pieces.
- Clean chimney regularly.
- Refuel frequently using medium sized wood.
- "Fine Tune" the air settings for optimum performance.

DONT'S

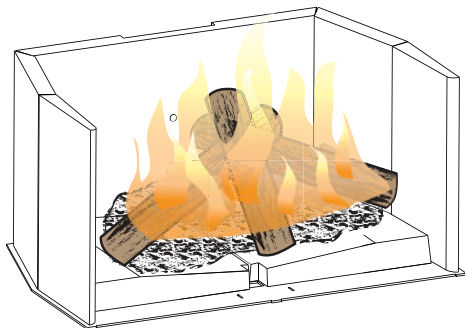
- Take ash out immediately. Let it accumulate to a depth of at least one inch. A good ash layer provides for a longer lasting and better burning fire.
- Burn wet wood with more than 20% moisture content.
- Close the door too soon or damper down too quickly.
- Burn one large log rather than two or three smaller, sized logs.
- Burn at continually "low setting", if glass door is constantly blackened. This means the firebox temperature is too low.



87.1D

6.6 LIGHTING A FIRE

6.6.1 FLASH FIRE



A flash fire is a small fire burned quickly when you don't need much heat. After your kindling has "caught", load at least 3 pieces of wood, stacked loosely. Burn with the draft control fully open or closed only slightly.

 93.1

6.6.2 EXTENDED FIRE

Load your larger pieces of wood compactly, packed close enough to prevent the flames from penetrating it completely. After approximately 30 minutes, depending on the size of the load, close the draft control completely making sure that the fire is not extinguished.

DO NOT OVERFIRE THE APPLIANCE!

Overfiring can occur by:

- A. Burning large amounts of smaller wood pieces such as furniture scraps, skids or treated wood;
- B. Vigorously burning large loads of wood with the draft control on "HIGH" (fully open) for long periods of time (one or two hours).
- C. Operating the appliance with the ash dump door blocked open or a poor gasket seal on the main door.

 82.1

6.7 SMOKING

A properly installed appliance should not smoke. If yours does, check the following:

- Has the chimney had time to get hot?
- Is the smoke passage blocked anywhere in the appliance, chimney connector or chimney?
- Is the room too airtight and the air intake not connected to the outside? Try with a window partly open.
- Is the smoke flow impeded by too long a horizontal pipe or too many bends?
- Is it a weak draft perhaps caused by a leaky chimney, a cold outside chimney, too large a diameter of a chimney, too short a chimney, or a chimney too close to trees or a higher roof?
- Is the moisture content of the wood greater than 20%?
- Has the catalyst bypass been closed or closed prematurely?

 83.1A

- Has a direct flue connection been used rather than a chimney liner continuous from cap to appliance flue collar.

7.0 MAINTENANCE

! WARNING
TURN OFF THE POWER BEFORE SERVICING THE APPLIANCE.
APPLIANCE MAY BE HOT, DO NOT SERVICE UNTIL APPLIANCE HAS COOLED.
DO NOT USE ABRASIVE CLEANERS.

Check your chimney and chimney connector for creosote and soot buildup weekly until a safe frequency for cleaning is established.

If accumulation is excessive, disconnect the appliance and clean both the chimney and the appliance. You may want to call a professional chimney sweep to clean them. Both have to be cleaned at least once a year or as often as necessary.

Remove fibre baffles and clean above them once a year. Replace any broken bricks.

7.1 ASH REMOVAL PROCEDURES

! WARNING
IMPROPER DISPOSAL OF ASHES RESULT IN FIRES. DO NOT DISCARD ASHES IN CARDBOARD BOXES, DUMP IN BACKYARDS, OR STORE IN GARAGES.
IF USING A VACUUM TO CLEAN UP ASHES, BE SURE THE ASHES ARE ENTIRE COOLED. USING A VACUUM TO CLEAN UP WARM ASHES COULD CAUSE A FIRE INSIDE THE VACUUM.
NEVER OPERATE YOUR APPLIANCE WITH THE ASH PLUG (IF APPLICABLE) REMOVED.
FAILURE TO ACHIEVE A GOOD SEAL BETWEEN THE ASH OPENING, ASH PLUG OR ASH WELL DOOR WILL RESULT IN AN OVER FIRE CONDITION THAT COULD CAUSE DAMAGE TO THE APPLIANCE.

Allow the ashes in your firebox to accumulate to a depth of two or three inches; they tend to burn themselves up. When the fire has burned down and cooled, remove any excess ashes but leave an ash bed approximately 1" (25mm) deep on the firebox bottom to help maintain a hot charcoal bed.

Shovel some ashes out through the door into a metal container with a tight fitting lid. Leave an ash bed approximately 1" (25mm) deep on the firebox bottom to help maintain a hot charcoal bed. Keep the closed container on a non-combustible floor or ground, well away from all combustible materials. The ashes should be retained in the closed container until all cinders have thoroughly cooled. Cold wood ashes can be used on the garden or in the compost.

7.2 CREOSOTE FORMATION AND REMOVAL

When wood is burned slowly, it produces tar and other organic vapors, which combine with expelled moisture to form creosote. The creosote vapors condense in the relatively cooler chimney flue of a slow-burning fire. As a result, creosote residue accumulates on the flue lining. When ignited this creosote makes an extremely hot fire.

The chimney connector and chimney should be inspected at least once every two months during the heating season to determine if a creosote buildup has occurred.

If creosote has accumulated it should be removed to reduce the risk of a chimney fire.

84.1A

7.3 RUNAWAY OR CHIMNEY FIRE

WARNING

A CHIMNEY FIRE CAN PERMANENTLY DAMAGE YOUR CHIMNEY SYSTEM. THIS DAMAGE CAN ONLY BE REPAIRED BY REPLACING THE DAMAGED COMPONENT PARTS. CHIMNEY FIRES ARE NOT COVERED BY THE LIFETIME LIMITED WARRANTY.

CAUSES:

- Using incorrect fuel, or small fuel pieces which would normally be used as kindling.
- Creosote build up in chimney.

SOLUTIONS:

- Do not burn treated, painted, artificial, paper or processed wood logs, coal, charcoal, coloured paper or cardboard.
- Have chimney regularly cleaned.

IN CASE OF A CHIMNEY FIRE:

- Close glass door.
- Have a well understood plan for evacuation and a place outside for everyone to meet. Prepare to evacuate to ensure everyone's safety.
- Call local fire department. Have a fire extinguisher handy. Contact local authorities for further information on how to handle a chimney fire.
- After the chimney fire is out, clean and inspect the chimney or chimney liner for stress and cracks prior to lighting another fire. Also check combustibles around the chimney and the roof

85.2C

7.4 CHIMNEY CLEANING

Both the chimney and the appliance must be inspected and cleaned if necessary at least once a year. For serious wood burners, chimney cleaning must be done as needed to avoid chimney fires; the venting systems for controlled combustion appliances may need cleaning as often as once a month. These rates, however, depend on the burning habits of the individual operating the appliance. For example, it is possible to clog a solid fuel appliance chimney in a few days if slow, smoldering fires are burned and the chimney is cold.

NOTE: Appliances burned consistently without hot fires may result in significant creosote accumulations in the chimney.

Certain items and considerations are important in chimney cleaning:

- Proper tools should be used, including a brush specifically designed for chimney cleaning.
- The chimney connector and dampers as well as the chimney should be cleaned.
- The appliance's firebox and baffle system should be cleaned if needed.
- The chimney should be inspected and repairs made if needed, preferably by a qualified chimney sweep or mason.

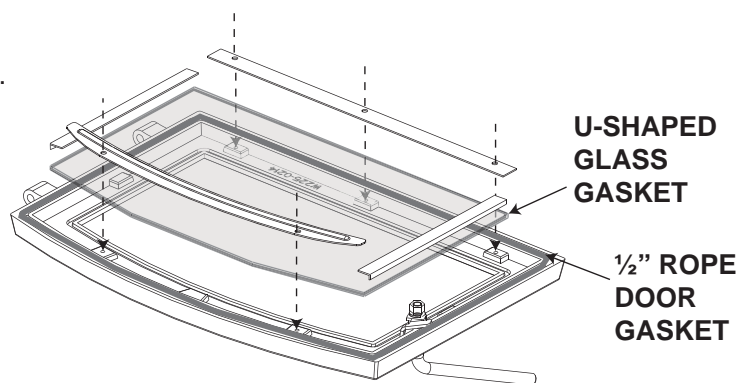
86.1

7.5 GLASS REPLACEMENT

! WARNING
DO NOT USE SUBSTITUTE MATERIALS.
GLASS MAY BE HOT, DO NOT TOUCH GLASS UNTIL COOLED.
CARE MUST BE TAKEN WHEN REMOVING AND DISPOSING OF ANY BROKEN DOOR GLASS OR DAMAGED COMPONENTS. BE SURE TO VACUUM UP ANY BROKEN GLASS FROM INSIDE THE APPLIANCE BEFORE OPERATION.
DO NOT STRIKE, SLAM OR SCRATCH GLASS. DO NOT OPERATE APPLIANCE WITH GLASS REMOVED, CRACKED, BROKEN OR SCRATCHED.

56.2

- A. When the appliance is cool, open the door and place the door frame down careful not to scratch the paint.
- B. Remove the screws and retainers. The side retainers are held into place with the top and bottom retainers. Remove all broken glass.
- C. Wrap the edges of the new glass with a U-shaped strip of fiberglass gasket, covering 1/4" (6.4 mm) on each side.
- D. Place the glass with the fiberglass gasket in position and resecure the 4 retainers. When finished, you should be able to move the glass slightly, horizontally and vertically.



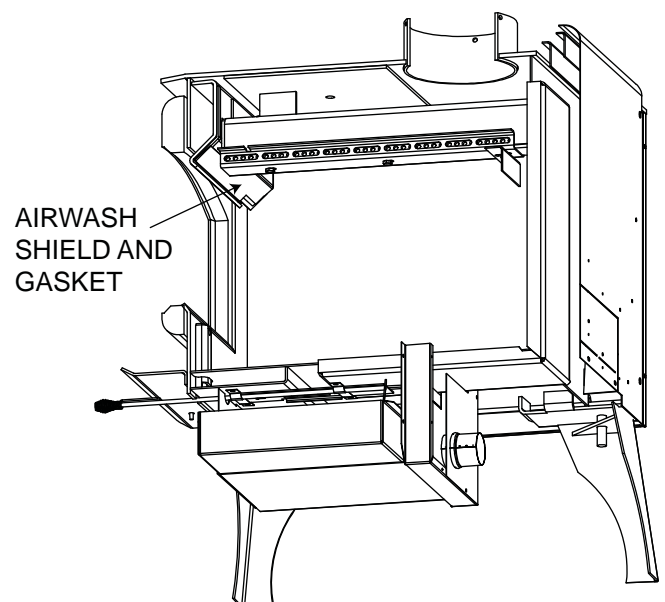
NOTE: For replacement glass see “REPLACEMENTS” section.

7.6 GASKET REPLACEMENT

At the end of each burning season, inspect the shield below the secondary air manifold for warping or deterioration. Replace if necessary. Both are held to the manifold with machine screws. The shield and the 1/8" (3.2mm) fibre cloth gasket are available from your Wolf Steel Ltd. dealer. At this time also check that the door gasket is not worn or loose. Replace with 1/2" (13mm) high density fibreglass rope if necessary.

The airwash gasket and shield located inside the appliance above the door should also be inspected and replaced if deteriorated.

NOTE: Do not operate appliance if the manifold shield, airwash shield or fibre baffle is deteriorated or missing.



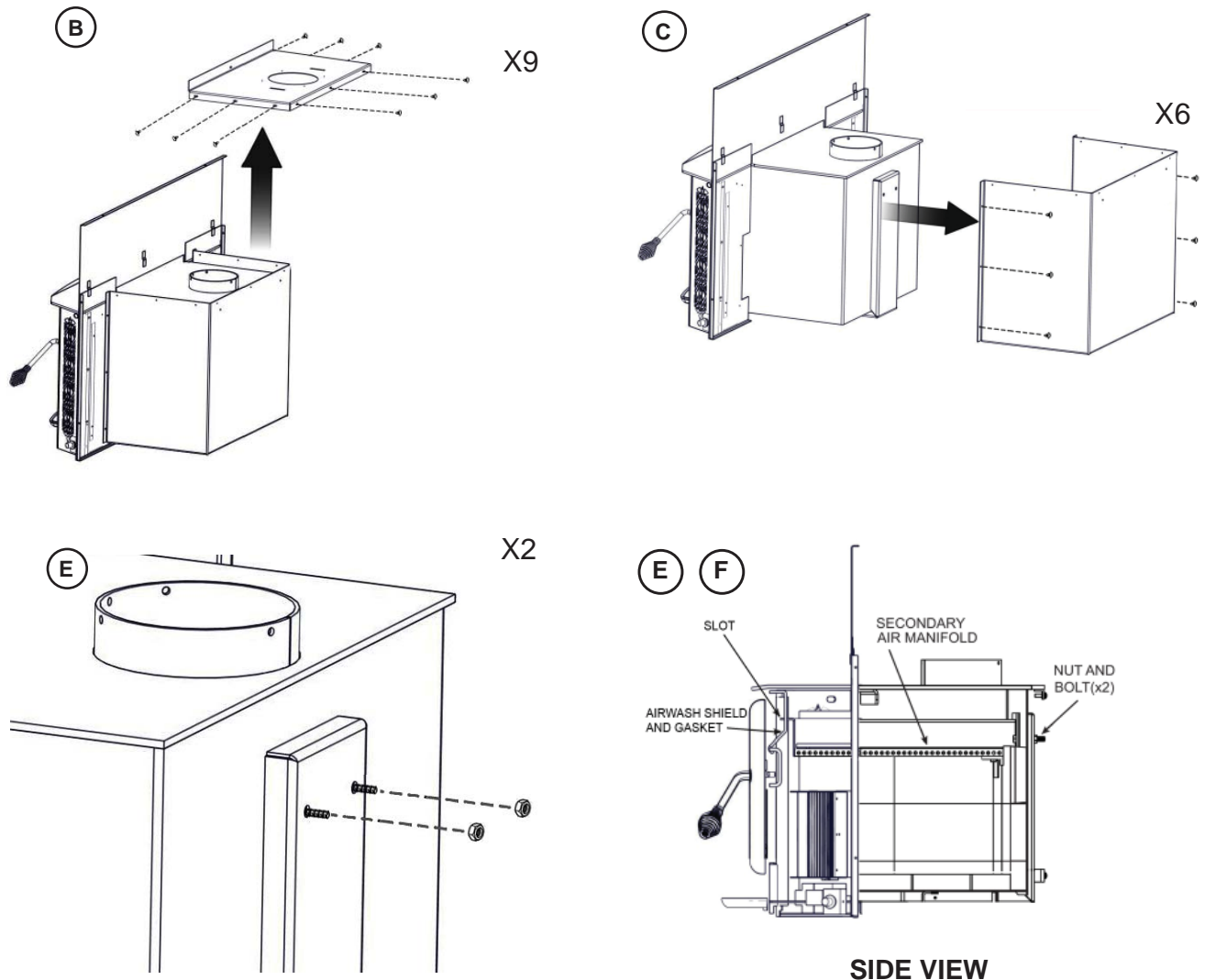
7.7 SECONDARY AIR MANIFOLD REPLACEMENT

At the end of each burning season inspect the secondary air manifold for warping or deterioration. Replace if necessary. At this time also check that the door gasket is not worn, frayed or loose. Replace with 1/2" (13mm) high density fibreglass rope if necessary. Check the airwash gasket located inside the appliance above the door, replace if deteriorated. Contact your Napoleon dealer for specific type and size of the materials required.

NOTE: Do not operate appliance if the manifold, airwash shield or fibre baffle is deteriorated or missing.

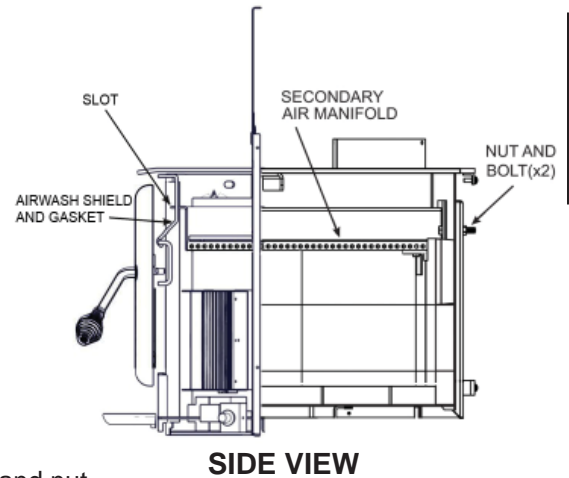
To remove the secondary air manifold follow these instructions:

- A. Remove insert from the fireplace. (See Sections 4.0 to 4.1 for vent information)
- B. Remove the 9 screws securing the top outer shell. Set aside.
- C. Remove the 6 screws securing the rear outer shell. Set side.
- D. Remove the rear bricks, then remove the baffles.
- E. Remove the 2 nuts and bolts securing the secondary air manifold in place.
- F. Remove the secondary air manifold and gasket.



To reinstall the secondary air manifold follow these instructions:

- A. Locate the slot at the front of the firebox chamber, as illustrated.
- B. Insert the tab of the secondary air manifold into the above mentioned slot and pivot the secondary air manifold into position.
- C. **A new gasket MUST be installed between the secondary air manifold and firebox.**
- D. Insert one of the bolts to hold the secondary air manifold in place.
- E. Working from the inside of the firebox, take the second bolt and install it into position, loosely secure the washer and nut.
- F. Remove the first bolt and reinstall as previously described in step E. Fully tighten both nuts and bolts.
- G. Reinstall the top and rear outer shells, refer to steps B and C of the removal instructions.
- H. Reinstall insert into fireplace to ensure proper vent connection (See Sections 4.0 to 4.1 for vent information)
- I. Reinstall the baffles and bricks.



NOTE: PUSH THE BAFFLE ALL THE WAY TO THE REAR OF THE FIREBOX, LEAVING A MINIMUM OF 1” (25mm) GAP ALONG THE FRONT. THIS WILL ALLOW FLUE GASES TO PROPERLY ESCAPE THE FIREBOX.

7.8 CARE OF GLASS

If the glass is not kept clean permanent discoloration and / or blemishes may result. Normally a hot fire will clean the glass. The most common reasons for dirty glass include: not using sufficient fuel to get the appliance thoroughly hot, using green or wet wood, closing the draft so far that there is insufficient air for complete combustion. If it is necessary to clean the glass, buff lightly with a clean dry cloth and non-abrasive cleaner.



DO NOT CLEAN GLASS WHEN HOT! Clean the glass after the first 10 hours of operation with a recommended appliance glass cleaner. Thereafter clean as required.

The glass is very strong but do not let burning fuel rest or fall against it and always close the door gently. **NEVER FORCE IT SHUT!**

If the glass should ever crack or break while the fire is burning, do not open the door until the fire is out and do not operate the appliance again until the glass has been replaced. Available from your Authorized dealer. **DO NOT SUBSTITUTE MATERIALS.**

5.3

7.9 CARE OF PLATED PARTS

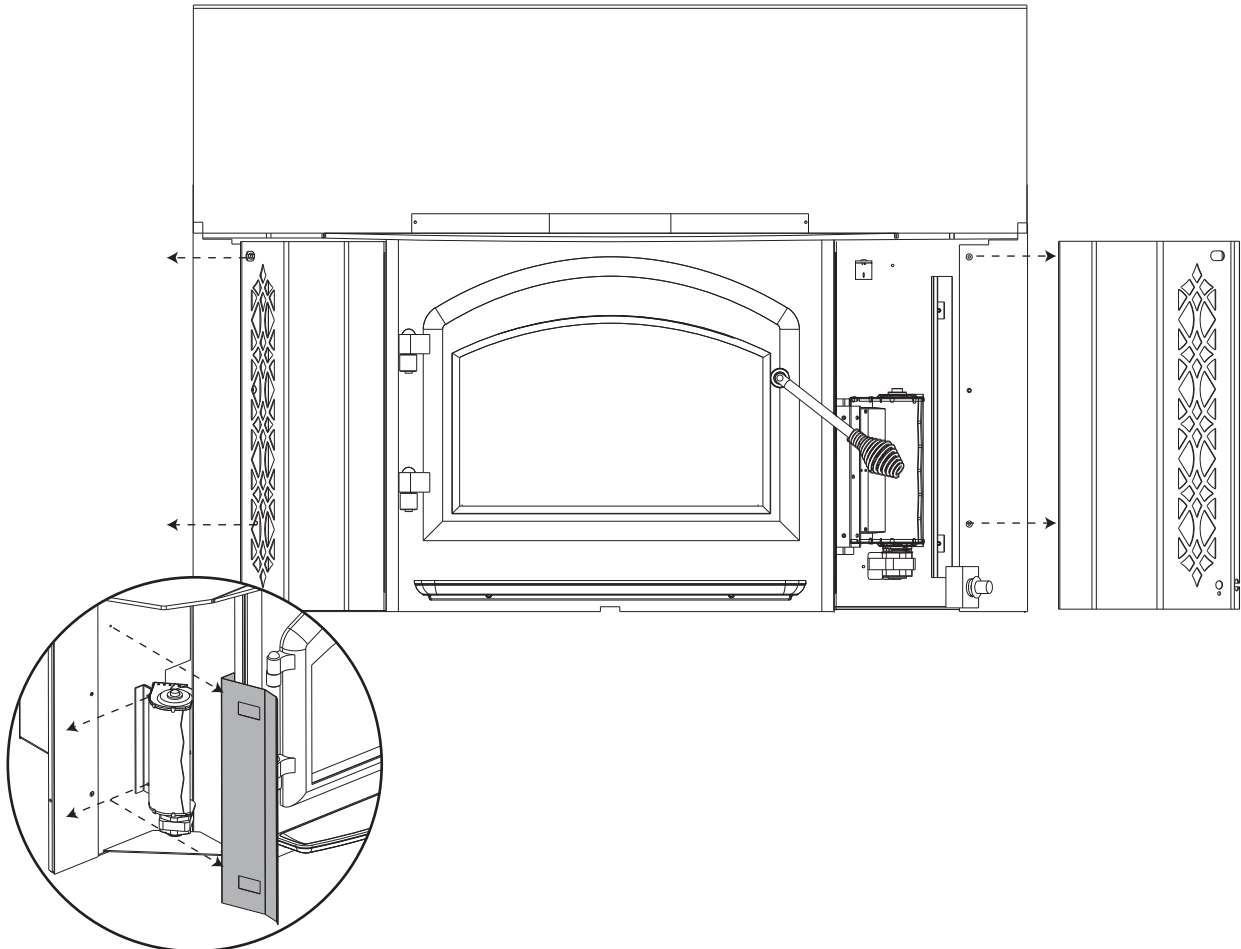
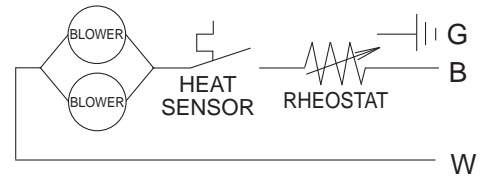
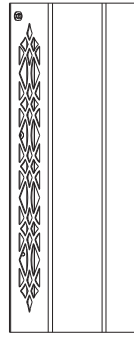
If the appliance is equipped with plated parts, you must clean fingerprints or other marks from the plated surfaces before operating the appliance for the first time. Use a glass cleaner or vinegar and towel to clean. If not cleaned properly before operating for the first time, the marks can cause permanent blemishes on the plating. After the plating is cured, the fingerprints and oils will not affect the finish and little maintenance is required, just wipe clean as needed. Prolonged high temperature burning with the door ajar may cause discoloration on plated parts.

NOTE: The protective wrap on plated parts is best removed when the assembly is at room temperature but this can be improved if the assembly is warmed, using a hair dryer or similar heat source.

6.1

7.10 BLOWER SERVICE OR REPLACEMENT

- A. Turn off all electrical power to the insert. Remove the glass door and set aside in a safe place.
- B. Remove the two screws from the outer edge of the side panel(s).
- C. Push the side panel toward the door and pull away from the insert, releasing the panel from the keyed slot.
- D. Service or replace the blower(s) as required.
- E. Re-install the side panel(s) by reversing the procedure.



LEFT BLOWER ACCESS

8.0 REPLACEMENTS

WARNING

FAILURE TO POSITION THE PARTS IN ACCORDANCE WITH THIS MANUAL OR FAILURE TO USE ONLY PARTS SPECIFICALLY APPROVED WITH THIS APPLIANCE MAY RESULT IN PROPERTY DAMAGE OR PERSONAL INJURY.

Contact your dealer for questions concerning prices and policies on replacement parts. Normally, all parts can be ordered through your Authorized dealer / distributor.

FOR WARRANTY REPLACEMENT PARTS, A PHOTOCOPY OF THE ORIGINAL INVOICE WILL BE REQUIRED TO HONOUR THE CLAIM.

When ordering replacement parts always give the following information:

- Model & Serial Number of appliance
- Installation date of appliance
- Part number
- Description of part
- Finish

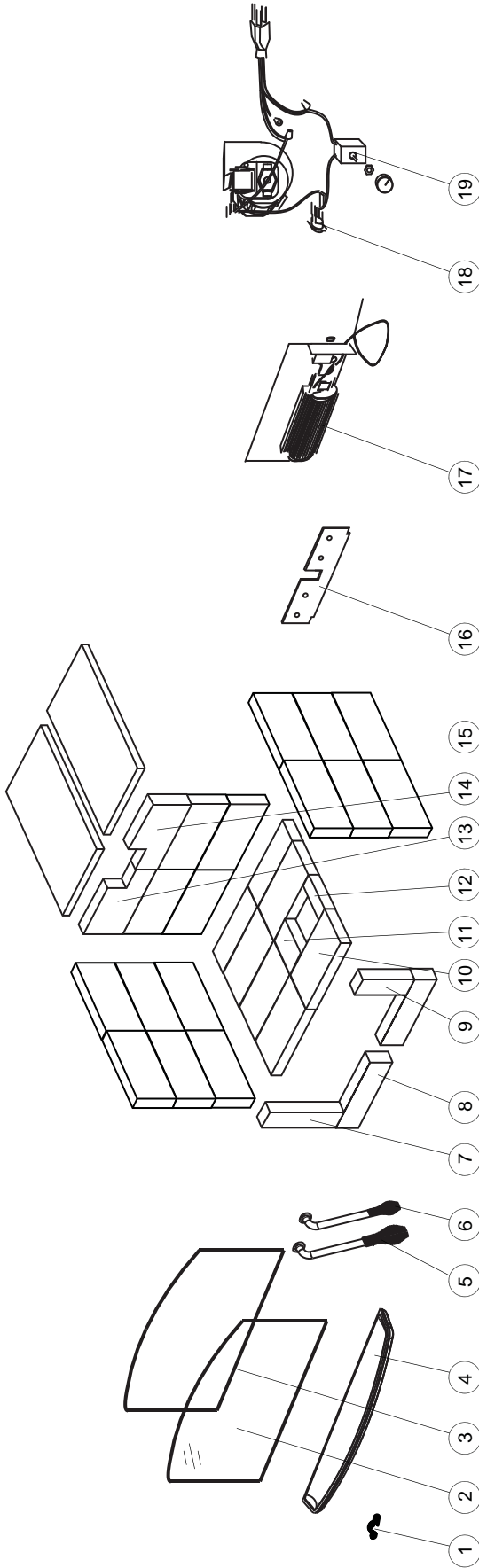
PARTS, PART NUMBERS AND AVAILABILITY ARE SUBJECT TO CHANGE WITHOUT NOTICE.

PARTS IDENTIFIED AS STOCKED WILL BE DELIVERED WITHIN 2 TO 5 BUSINESS DAYS FOR MOST DELIVERY DESTINATIONS.

PARTS NOT IDENTIFIED AS STOCKED WILL BE DELIVERED WITHIN A 2 TO 4 WEEK PERIOD.

41.1B

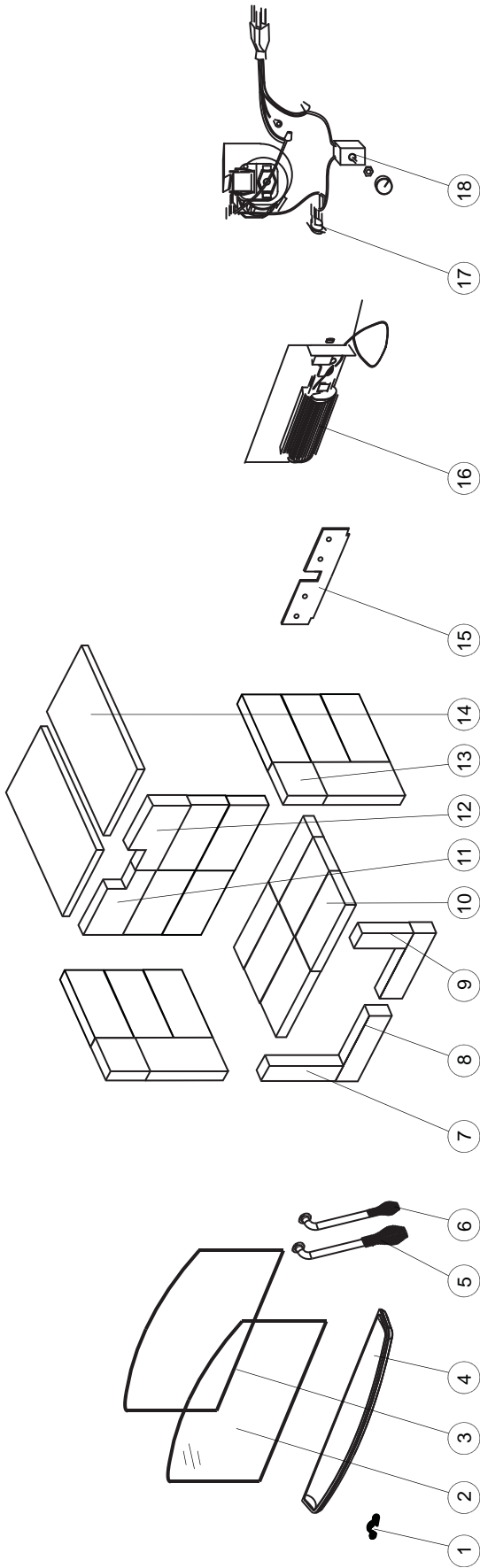
8.1 EPI-1402 OVERVIEW



ITEMS MAY NOT APPEAR EXACTLY AS ILLUSTRATED

REF. NO.	PART NUMBER	DESCRIPTION	STOCKED	REF. NO.	PART NUMBER	DESCRIPTION	STOCKED
1	W385-2010	NAPOLEON LOGO	YES	11	W090-0016	BRICK (4.5" x 1.25" x 2.5")	YES
2	W010-1071	COMPLETE DOOR ASSEMBLY		12	W090-0017	BRICK (4.5" x 1.25" x 1.5")	YES
3	W020-0044	DOOR GASKET	YES	13	W090-0207	LEFT SIDE BRICK (NOTCHED)	YES
4	W135-0238-SER	ASH LIP		14	W090-0208	RIGHT SIDE BRICK (NOTCHED)	YES
5	W325-0042	SPRING HANDLE (LARGE)		15	W018-0078	TOP FIBRE BAFFLE (X2)	YES
6	W325-0043	SPRING HANDLE (SMALL)		16	W010-0347	AIRWASH GASKET AND SHIELD	
7	W090-0018	BRICK (9" x 1.25" x 2.25")	YES	17	GZ552	REPLACEMENT FAN	
8	W090-0002	BRICK (9" x 1.25" x 3")	YES	18	W690-0002	THERMODISC	
9	W090-0019	BRICK (6.125" x 1.25" x 1.25")	YES	19	KB-36	VARIABLE SPEED SWITCH KIT	

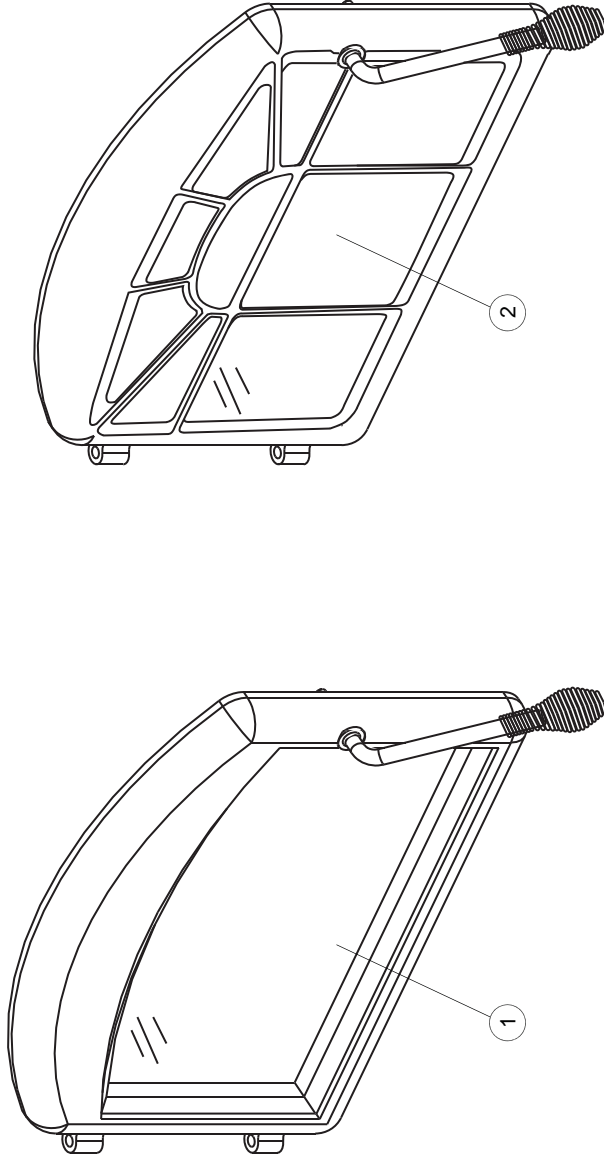
8.2 EPI-1101 OVERVIEW



ITEMS MAY NOT APPEAR EXACTLY AS ILLUSTRATED

REF. NO.	PART NUMBER	DESCRIPTION	STOCKED
1	W385-2010	NAPOLEON LOGO	YES
2	W010-1071	COMPLETE DOOR ASSEMBLY	YES
3	W020-0044	DOOR GASKET	YES
4	W135-0238-SER	ASH LIP	YES
5	W325-0042	SPRING HANDLE (LARGE)	YES
6	W325-0043	SPRING HANDLE (SMALL)	YES
7	W090-0018	BRICK (9" x 1.25" x 2.25")	YES
8	W090-0002	BRICK (9" x 1.25" x 3")	YES
9	W090-0019	BRICK (6.125" x 1.25" x 1.25")	YES
10	W090-0001	BRICK (9" x 1.25" x 4.5")	YES
11	W090-0207	LEFT SIDE BRICK (NOTCHED)	YES
12	W090-0208	RIGHT SIDE BRICK (NOTCHED)	YES
13	W090-0003	BRICK (4.5" x 1.25" x 4.5")	YES
14	W018-0077	TOP FIBRE BAFFLE (X2)	YES
15	W010-0347	AIRWASH GASKET AND SHIELD	YES
16	GZ552	REPLACEMENT FAN	YES
17	W690-0002	THERMODISC	YES
18	KB-36	VARIABLE SPEED SWITCH KIT	YES

9.0 ACCESSORIES



ITEMS MAY NOT APPEAR EXACTLY AS ILLUSTRATED

REF. NO.	PART NUMBER	DESCRIPTION	EN STOCK
1	H222	DOOR ASSEMBLY (BLACK)	
1	H222-G	DOOR ASSEMBLY (GOLD)	
1	H222-SS	DOOR ASSEMBLY (STAINLESS STEEL)	
2	H222-GW	DOOR ASSEMBLY (GOLD)	

10.0 TROUBLESHOOTING

WARNING

TURN OFF THE ELECTRICAL POWER BEFORE SERVICING THE APPLIANCE.

APPLIANCE MAY BE HOT, DO NOT SERVICE UNTIL APPLIANCE HAS COOLED.

DO NOT USE ABRASIVE CLEANERS.

WHEN CHECKING CONNECTIONS, INSTALLING JUMPER WIRES (FOR TEST PURPOSES ONLY) OR REPLACING COMPONENTS, UNPLUG HEATER FROM THE RECEPTACLE TO PREVENT ELECTRICAL SHOCK OR DAMAGE TO THE COMPONENT.

PROBLEM	SOLUTION
Can't get the fire started.	<ul style="list-style-type: none"> - Not enough kindling / paper? Add more. - Not enough air? Ensure air control is fully open. Also ensure that the air opening is not obstructed. - Cold air blockage? Burn a piece of paper to establish a draft. - Use dry seasoned wood with 20% moisture content. - Flue blockage? Inspect chimney.
Smokes when door is open.	<ul style="list-style-type: none"> - Cold air blockage? Burn a piece of paper to establish a draft. - Insufficient draft? Add more pipe. - Let air stabilize before opening door. - Ensure baffles are positioned correctly. - Negative pressure? Open a window near the appliance.
Appliance emits odour.	<ul style="list-style-type: none"> - Paint curing. See "GENERAL INSTRUCTIONS" section.
Stove doesn't burn hot enough.	<ul style="list-style-type: none"> - Wood has more than 20% moisture. - Insufficient draft? Add more pipe. - Not enough air? Ensure air control is fully open. Also ensure that the air opening is not obstructed.
Wood burns too fast.	<ul style="list-style-type: none"> - Air control may need to be adjusted down. - Check to see ash plug is properly seated (if equipped). - Check door gasket for adequate seal. - Wood may be extremely dry.
Dirty glass.	<ul style="list-style-type: none"> - Air control may be closed too far. - Burn hotter, smaller fires. - Use well seasoned wood with 20% moisture content.
Blower does not run.	<ul style="list-style-type: none"> - Appliance may not be up to temperature. - Ensure blower has power.

42.14C

11.0 WARRANTY

NAPOLEON products are manufactured under the strict Standard of the world recognized ISO 9001 : 2008 Quality Assurance Certificate.

NAPOLEON products are designed with superior components and materials, assembled by trained craftsmen who take great pride in their work. The complete appliance is again thoroughly inspected by a qualified technician before packaging to ensure that you, the customer, receives the quality product that you expect from NAPOLEON.

NAPOLEON WOOD APPLIANCE PRESIDENT'S LIFETIME LIMITED WARRANTY

The following materials and workmanship in your new NAPOLEON wood appliance are warranted against defects for as long as you own the appliance. This covers: combustion chamber, heat exchanger, ceramic glass (thermal breakage only), gold plated parts against tarnishing, porcelainized enameled components, aluminum extrusion trims, vortex baffles, ash drawer and iron castings.

Electrical (110V) components and wearable parts are covered and NAPOLEON will provide replacement parts free of charge during the first year of the limited warranty. This covers: blowers, thermal switch, switches, wiring, firebrick, stainless steel baffle retainer, secondary air tubes and gasketing. *

Labour related to warranty repair is covered free of charge during the first year. Repair work, however, requires the prior approval of an authorized company official. Labour costs to the account of NAPOLEON are based on a predetermined rate schedule and any repair work must be done through an authorized NAPOLEON dealer.

Parts such as firebricks and baffles should routinely be removed by the operator as part of the regular service and therefore, any warranty replacement of these parts does not qualify for any labour allowances.

* Construction of models vary. Warranty applies only to components included with your specific appliance.

CONDITIONS AND LIMITATIONS

NAPOLEON® warrants its products against manufacturing defects to the original purchaser only. Registering your warranty is not necessary. Simply provide your proof of purchase along with the model and serial number to make a warranty claim. Provided that the purchase was made through an authorized NAPOLEON® dealer your appliance is subject to the following conditions and limitations:

Warranty coverage begins on the date of original installation.

This factory warranty is non-transferable and may not be extended whatsoever by any of our representatives.

The wood appliance must be installed by an authorized service technician or contractor. Installation must be done in accordance with the installation instructions included with the product and all local and national building and fire codes.

EPA approved products, where incorrect fuel is used, will void the warranty.

This limited warranty does not cover damages caused by misuse, lack of maintenance, accident, alterations, abuse or neglect and parts installed from other manufacturers will nullify this warranty.

This limited warranty further does not cover any scratches, dents, corrosion or discoloring caused by excessive heat, abrasive and chemical cleaners nor chipping on porcelain enamel parts, nor any venting components used in the installation of the appliance.

This warranty extends to the repair or replacement of warranted parts which are defective in material or workmanship provided that the product has been operated in accordance with the operation instructions and under normal conditions.

After the first year, with respect to the President's Lifetime Limited Warranty, NAPOLEON may, at its discretion, fully discharge all obligations with respect to this warranty by refunding to the original warranted purchaser the wholesale price of any warranted but defective part(s).

After the first year, NAPOLEON will not be responsible for installation, labour or any other costs or expenses related to the reinstallation of a warranted part, and such expenses are not covered by this warranty.

Notwithstanding any provisions contained in the President's Lifetime Limited Warranty, NAPOLEON's responsibility under this warranty is defined as above and it shall not in any event extend to any incidental, consequential or indirect damages.

This warranty defines the obligations and liability of NAPOLEON with respect to the NAPOLEON wood appliance and any other warranties expressed or implied with respect to this product, its components or accessories are excluded.

NAPOLEON neither assumes, nor authorizes any third party to assume, on its behalf, any other liabilities with respect to the sale of this product.

NAPOLEON will not be responsible for: over-firing, downdrafts, spillage caused by environmental conditions such as rooftops, buildings, nearby trees, hills, mountains, inadequate vents or ventilation, excessive venting configurations, insufficient makeup air, or negative air pressures which may or may not be caused by mechanical systems such as exhaust fans, furnaces, clothes dryers, etc.

Any damages to appliance, combustion chamber, heat exchanger, plated trim or other component due to water, weather damage, long periods of dampness, condensation, damaging chemicals or cleaners will not be the responsibility of NAPOLEON.

NAPOLEON reserves the right to have its representative inspect any product or part thereof prior to honouring any warranty claim.

All parts replaced under the President's Limited Lifetime Warranty Policy are subject to a single claim.

During the first 10 years NAPOLEON will replace or repair the defective parts covered by the lifetime warranty at our discretion free of charge. From 10 years to life, NAPOLEON will provide replacement parts at 50% of the current retail price.

All parts replaced under the warranty will be covered for a period of 90 days from the date of their installation.

The manufacturer may require that defective parts or products be returned or that digital pictures be provided to support the claim. Returned products are to be shipped prepaid to the manufacturer for investigation. If a product is found to be defective, the manufacturer will repair or replace such defect.

Before shipping your appliance or defective components, your dealer must obtain an authorization number. Any merchandise shipped without authorization will be refused and returned to sender.

Shipping costs are not covered under this warranty.

Additional service fees may apply if you are seeking warranty service from a dealer.

Warranty labour allowance is only for the replacement of the warranted part. Travel, diagnostic tests, shipping and other related charges are not covered by this warranty.

ALL SPECIFICATIONS AND DESIGNS ARE SUBJECT TO CHANGE WITHOUT PRIOR NOTICE DUE TO ON-GOING PRODUCT IMPROVEMENTS. NAPOLEON IS A REGISTERED TRADEMARK OF WOLF STEEL LTD.

2.2E

Other Napoleon Products



Fireplace Inserts • Charcoal Grills • Gas Fireplaces • Waterfalls • Wood Stoves
Heating & Cooling • Electric Fireplaces • Outdoor Fireplaces • Gas Grills



24 Napoleon Road, Barrie, Ontario, Canada L4M 0G8
214 Bayview Drive, Barrie, Ontario, Canada L4N 4Y8
103 Miller Drive, Crittenden, Kentucky, USA 41030
7200 Trans Canada Highway, Montreal, Quebec, Canada H4T 1A3

Fireplaces / Heating & Cooling call: 705-721-1212 • Grills call: 705-726-4278
napoleonproducts.com

INSTALLATEUR : LAISSEZ CE MANUEL AVEC L'APPAREIL.

PROPRIÉTAIRE : CONSERVEZ CE MANUEL POUR CONSULTATION ULTÉRIEURE.

NE LAISSEZ PAS LES ENFANTS OU AUTRES INDIVIDUS À RISQUE SEULS À PROXIMITÉ DE L'APPAREIL.

Cet appareil au bois doit faire l'objet d'une inspection et d'un entretien périodiques pour un fonctionnement adéquat. Les règlements fédéraux de l'États-Unis interdisent d'utiliser cet appareil de chauffage d'une manière allant à l'encontre des instructions de fonctionnement contenues dans ce manuel.



INSTRUCTIONS D'INSTALLATION ET D'OPÉRATION

FR

LE MODÈLE 1101 & 1402 RESPECTE L'AGENCE DE PROTECTION DE L'ENVIRONNEMENT AMÉRICAINE (E.P.A) 2015 ES LIMITES D'ÉMISSIONS DE BOIS DE VALEUR STANDARD POUR LES POÊLES À BOIS VENDUS APRÈS LE 15 MAI 2015, 40 C.F. R. PART 60. CES POÊLES ONT ÉTÉ TESTÉS ET HOMOLOGUÉS PAR INTERTEK TESTING SERVICES SELON LES NORMES : ULC S628, UL 1482.

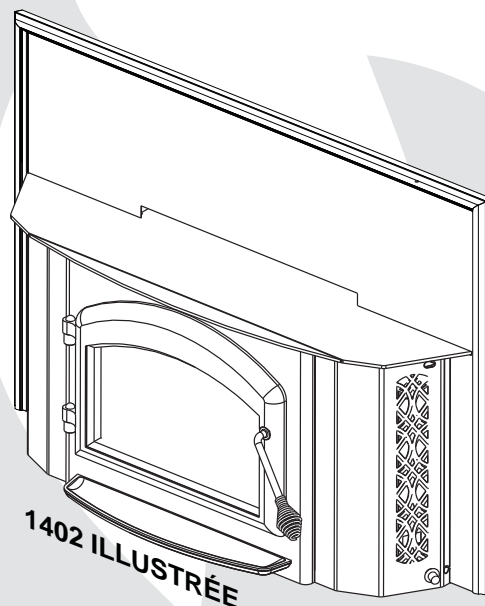
EPI 1101 & 1402 ENCASTRÉ AU BOIS

CONSIGNES DE SÉCURITÉ

! AVERTISSEMENT

Si ces instructions ne sont pas suivies à la lettre, un incendie ou une explosion pourraient s'ensuivre, causant des dommages matériels, des blessures corporelles ou des pertes de vie. Une installation non conforme, des ajustements, des altérations, un service ou un entretien inadéquats peuvent causer des dommages matériels, des blessures corporelles et des pertes de vie. Veuillez lire le manuel en entier avant d'installer et d'utiliser cet appareil. Cet appareil n'a pas été testé avec un ensemble de bûches à gaz non ventilées. Afin de réduire le risque d'incendie ou de blessure, n'installez pas d'ensemble de bûches à gaz non ventilées dans cet appareil.

- Cet appareil peut devenir très chaud lorsqu'il fonctionne.
- Les matériaux combustibles, tels que le bois de chauffage, les vêtements mouillés, etc. placés trop près de l'appareil pourraient prendre feu.
- Il faut empêcher les enfants et les animaux de toucher l'appareil quand il est chaud.
- La cheminée doit être en bon état et ne pas être fêlée. Avant d'installer cet appareil, contactez le service du bâtiment ou le service d'incendie de votre municipalité et suivez leurs directives.
- Faites fonctionner l'appareil uniquement avec la porte bien fermée.
- Brûlez le bois en arrière du pare-bûches, directement sur les briques réfractaires.
- N'utilisez pas un chenet et n'essayez pas de surélever le feu de quelque manière.
- Au moins 14 pouces carrés (90,3 centimètres carrés) d'air extérieur doit être admis dans la pièce ou directement dans l'appareil par un conduit de 4 pouces (101,6mm) de diamètre.
- Cet appareil a été conçu pour brûler du bois naturel uniquement. Vous obtenez une meilleure efficacité et des émissions plus basses avec du bois dur séché à l'air qu'avec du bois résineux ou vert, ou du bois dur fraîchement coupé.
- N'allumez pas votre feu à l'aide de produits chimiques ou de liquides tels que de l'essence, de l'huile à moteur, etc.
- Cet appareil a été conçu pour brûler du bois naturel uniquement. Ne brûlez pas de déchets, des résidus de tonte de pelouse, de caoutchouc, des produits pétroliers résiduels, de la peinture ou du diluant / de solvants, de plastique, des matériaux contenant de l'amiante, des débris de construction, des traverses de chemin de fer ou de bois traités, du fumier ou des restes d'animaux, du bois de grève imprégné de sel ou des matériaux salés, du bois non séché, de charbon, de papiers de couleur, de cartons, des contreplaqués ou des panneaux de particules.
- Ne laissez pas l'appareil chauffer au point où des parties deviennent rougeoyantes.
- GARDEZ LA TEMPÉRATURE SUR LE DESSUS DE L'APPAREIL SOUS 700°F (371°C). Toute tentative de dépasser les débits maximaux de chaleur, tels que mentionnés dans les spécifications de conception, pourrait provoquer la distorsion de l'acier et causer des dommages.



! AVERTISSEMENT



LA VITRE CHAUDE CAUSERA
DES BRÛLURES.

NE PAS TOUCHER LA VITRE
AVANT QU'ELLE AIT REFROIDI.

NE JAMAIS LAISSER LES
ENFANTS TOUCHER LA VITRE.



Wolf Steel Ltd., 24 Napoleon Rd., Barrie, ON, L4M 0G8 Canada /
103 Miller Drive, Crittenden, Kentucky, USA, 41030

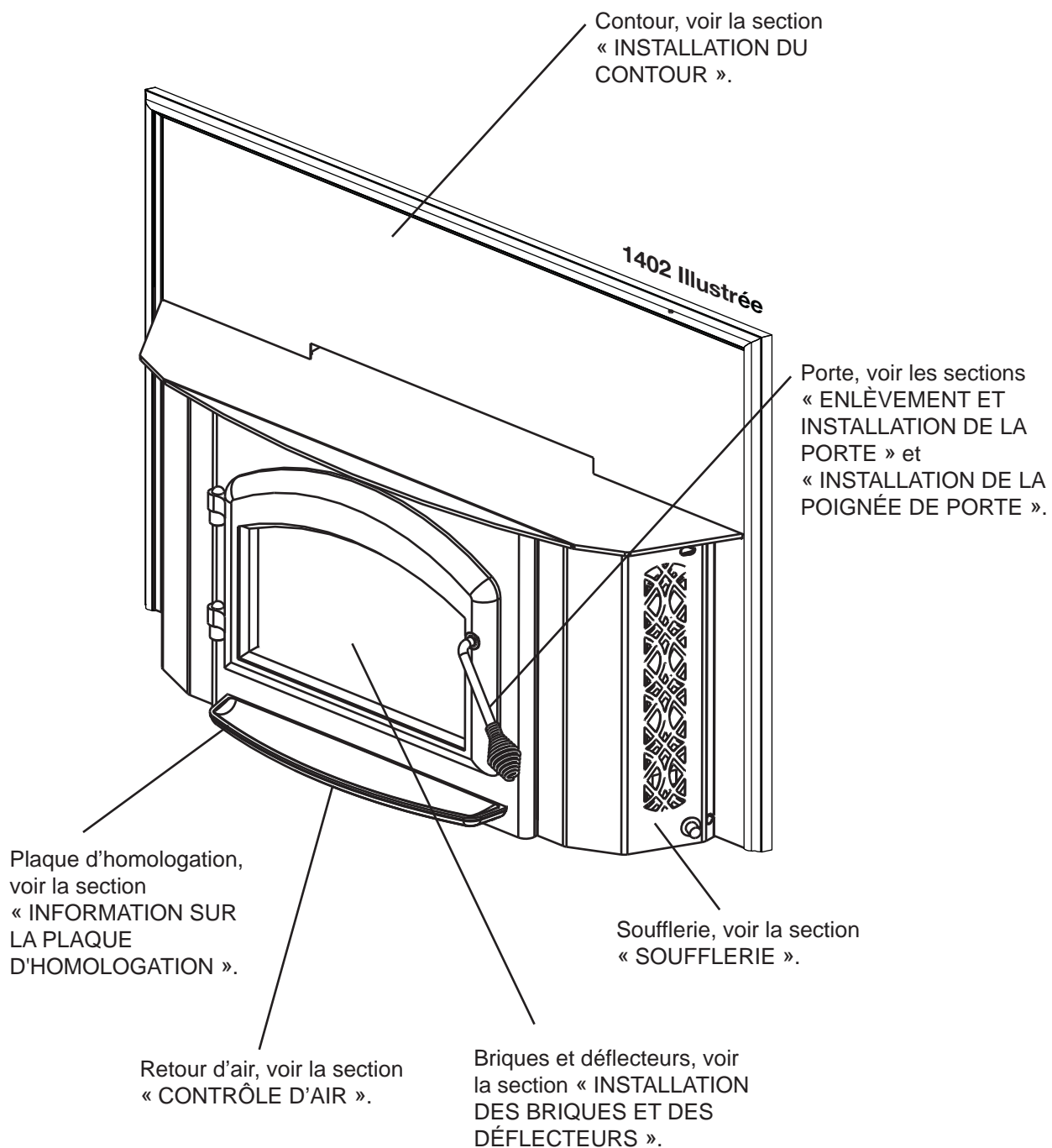
Téléphone 705-721-1212 • Télécopieur 705-720-9081 • www.napoleonfoyers.com • hearth@napoleonproducts.com

TABLE DES MATIÈRES

1.0	VUE D'ENSEMBLE DE L'INSTALLATION	37
2.0	INTRODUCTION	38
2.1	DIMENSIONS	39
2.1.1	DIMENSIONS DU 1101 (AVEC CONTOUR)	39
2.1.2	DIMENSIONS DU 1402 (AVEC CONTOUR)	39
2.2	SPÉCIFICATIONS	39
2.3	INSTRUCTIONS GÉNÉRALES	40
2.4	INFORMATION GÉNÉRALE	40
2.5	INFORMATION SUR LA PLAQUE D'HOMOLOGATION	42
3.0	PLANIFICATION DE L'INSTALLATION	43
3.1	DÉGAGEMENTS MINIMAUX AUX MATÉRIAUX COMBUSTIBLES	43
4.0	INSTALLATION	44
4.1	INSTALLATION TYPIQUE DANS UNE CHEMINÉE DE MAÇONNERIE EXISTANTE	45
4.2	FOYER PRÉFABRIQUÉ	46
4.3	CONNECTEUR DE BUSE POUR ESPACES RESTREINTS (1402)	46
5.0	FINITIONS	47
5.1	INSTALLATION DES BRIQUES ET DES DÉFLECTEURS EN FIBRE	47
5.2	ENLÈVEMENT ET INSTALLATION DE LA PORTE	48
5.3	INSTALLATION DE LA POIGNÉE DE PORTE	48
5.4	INSTALLATION DU CONTOUR	49
6.0	ENTRETIEN	50
6.1	MÉTHODE POUR ASSURER UNE COMBUSTION OPTIMALE	51
6.2	SOUFFLERIE	52
6.3	CONTRÔLE D'AIR	52
6.4	EXTINCTEURS ET DÉTECTEURS DE FUMÉE / MONOXYDE DE CARBONE	52
6.5	COMBUSTIBLE	53
6.6	ALLUMER UN FEU	54
6.6.1	FEU ÉCLAIR	54
6.6.2	FEU CONTINU	54
6.7	ENFUMAGE	54
7.0	ENTRETIEN	55
7.1	ENLÈVEMENT DES CENDRES	55
7.2	FORMATION ET ENLÈVEMENT DE LA CRÉOSOTE	55
7.3	FEU DE CHEMINÉE OU FEU HORS CONTRÔLE	56
7.4	NETTOYAGE DE LA CHEMINÉE	56
7.5	REMPLACEMENT DE LA VITRE	57
7.6	REMPLACEMENT DES JOINTS D'ÉTANCHÉITÉ	57
7.7	COLLECTEUR D'AIR SECONDAIRE	58
7.8	SOINS DE LA VITRE	59
7.9	SOINS DES PIÈCES PLAQUÉES	59
7.10	ENTRETIEN OU REMPLACEMENT DE LA SOUFFLERIE	60
8.0	RECHANGES	61
8.1	VUE D'ENSEMBLE DU EPI-1402	62
8.2	VUE D'ENSEMBLE DU EPI-1101	63
9.0	ACCESSOIRES	64
10.0	GUIDE DE DÉPANNAGE	65
11.0	GARANTIE	66
12.0	HISTORIQUE D'ENTRETIEN	67

NOTE : Les changements autres que de nature éditoriale sont dénotés par une ligne verticale dans la marge.

1.0 VUE D'ENSEMBLE DE L'INSTALLATION



FR

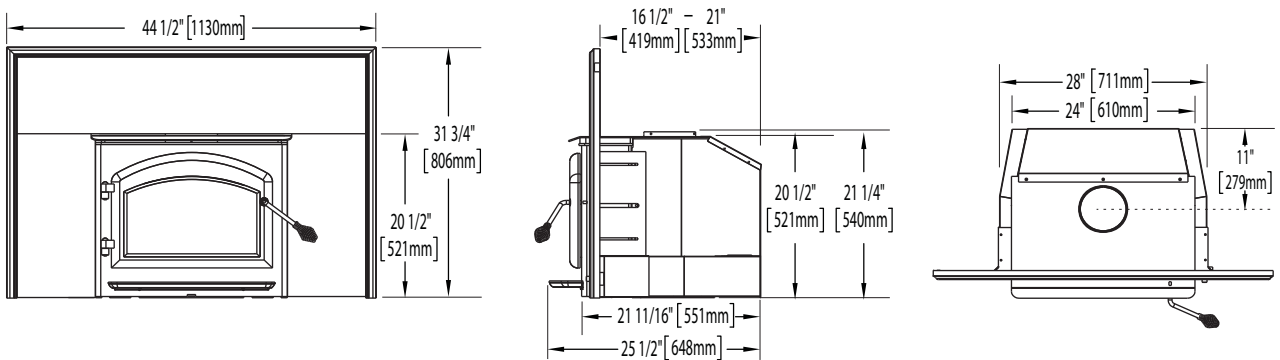
2.0 INTRODUCTION

AVERTISSEMENT

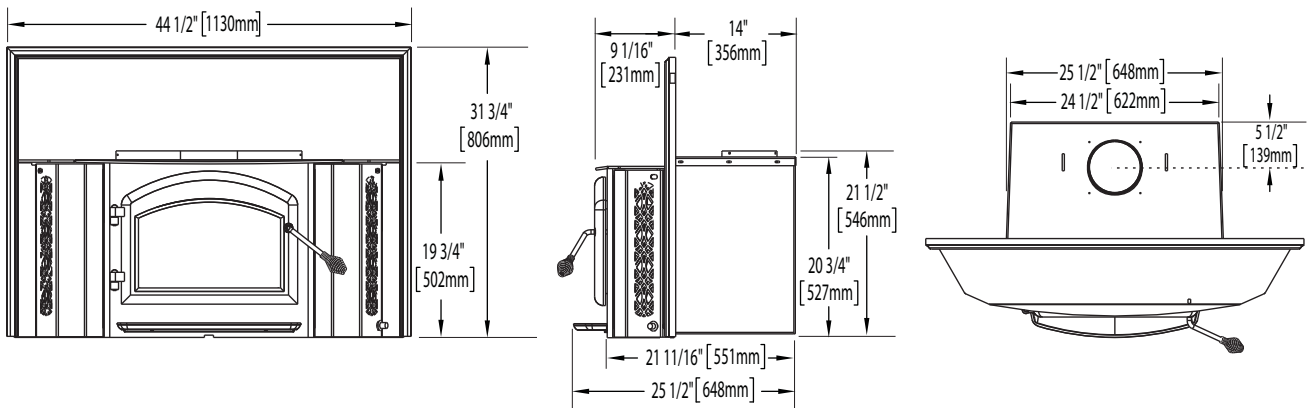
- **CET APPAREIL EST CHAUD LORSQU'IL FONCTIONNE ET PEUT CAUSER DE GRAVES BRÛLURES EN CAS DE CONTACT.**
- **TOUTE MODIFICATION APPORTÉE À CET APPAREIL OU AUX CONTRÔLES PEUT ÊTRE DANGEREUX ET EST INTERDIT.**
- Ne faites pas fonctionner l'appareil avant d'avoir lu et compris les instructions d'opération. Omettre d'utiliser l'appareil selon les instructions d'opération pourrait causer un incendie ou des blessures.
- Avant d'installer cet appareil, contactez les autorités locales du bâtiment ou le service des incendies et suivez leurs directives.
- Cet appareil doit être installé par un installateur qualifié.
- Risque de brûlures. L'appareil doit être éteint et refroidi avant d'effectuer un entretien.
- Ne faites pas fonctionner tant que tous les composants ne sont pas complètement installés.
- Ne laissez pas l'appareil chauffer au point où des parties deviennent rougeoyantes.
- N'installez pas de composants endommagés ou incomplets ni des composants substitués.
- Risque de coupures et d'éraflures. Portez des gants protecteurs et des lunettes de sécurité lors de l'installation. Les bordures des pièces de métal peuvent être coupantes.
- Les enfants et les adultes devraient être informés des dangers que posent les températures de surface élevées et se tenir à distance afin d'éviter des brûlures ou que leurs vêtements ne s'enflamment.
- Surveillez attentivement les jeunes enfants lorsqu'ils sont dans la même pièce que l'appareil. Les jeunes enfants et autres sont plus à risque de contacts accidentels causant des brûlures. Une barrière physique est conseillée lorsque qu'il y a des individus à risque dans la maison. Pour empêcher l'accès à un appareil ou un poêle, installez une barrière de sécurité pour garder les jeunes enfants et autres individus à risque hors de la pièce et éloignés des surfaces chaudes. Les vêtements et autres matériaux combustibles ne doivent pas être posés sur le foyer ou à proximité.
- En raison des températures élevées, le foyer devrait être placé loin des endroits passants et loin des meubles et des rideaux. Les objets placés devant l'appareil doivent être gardés à une distance d'au moins 48" (1219,2mm) de l'avant de l'appareil.
- Assurez-vous de disposer de mesures de sécurité adéquates pour empêcher les jeunes enfants de toucher aux surfaces chaudes.
- Même une fois que le foyer est éteint, la vitre et/ou le pare-étincelles demeureront chauds pendant un temps prolongé.
- Consultez votre détaillant local de foyer pour connaître les grillages de sécurité et les écrans offerts pour protéger les enfants des surfaces chaudes. Ces grillages de sécurité et ces écrans doivent être fixés au plancher.
- Les grillages de sécurité ou écrans enlevés pour faire l'entretien devront être remis en place avant d'utiliser l'appareil.
- Cet appareil ne devra être modifié en aucun cas.
- Cet appareil ne doit pas être raccordé au conduit d'une cheminée desservant un autre appareil de chauffage à combustible solide.
- Ne pas opérer l'appareil lorsque la porte vitrée est enlevée, fissurée ou brisée. Le remplacement de la vitre devra être effectué par un technicien de service certifié ou qualifié.
- Ne frappez pas et ne claquez pas la porte vitrée de l'appareil.
- Ne faites fonctionner l'appareil qu'avec les portes complètement fermées.
- Seules les portes/façades certifiées pour cet appareil peuvent être utilisées avec cet appareil.
- Gardez les matériaux d'emballage hors de la portée des enfants et mettez ces matériaux au rebut de façon sécuritaire. Comme tous les emballages de plastique, ces matériaux ne sont pas des jouets et doivent demeurer hors de la portée des enfants et des bébés.
- Si cet appareil n'est pas installé de façon adéquate, un incendie pourrait s'ensuivre. N'exposez pas l'appareil aux éléments (p. ex. la pluie, etc.) et gardez-le au sec en tout temps. De l'isolant humide produira une odeur lorsque l'appareil est utilisé.
- La cheminée doit être en bon état et ne pas être fissurée. Nettoyez la cheminée au moins deux fois par année et lorsque nécessaire.
- N'allumez pas votre feu à l'aide de produits chimiques ou de liquides tels que de l'essence, de l'huile à moteur, etc.
- Votre appareil nécessite un entretien et un nettoyage périodiques. Négliger cet entretien peut causer des refoulements de fumée dans la maison.
- Vous obtenez une meilleure efficacité et des émissions plus basses avec du bois dur séché à l'air qu'avec du bois résineux ou vert, ou des bois durs fraîchement coupés. Brûler du bois vert ou humide peut causer des accumulations excessives de créosote. Lorsqu'elle est allumée, cette dernière peut causer un feu de cheminée et un incendie grave pourrait s'ensuivre.
- Cet appareil a été conçu pour brûler du bois naturel uniquement. Ne brûlez pas de déchets, des résidus de tonte de pelouse, de caoutchouc, des produits pétroliers résiduels, de la peinture ou du diluant / de solvants, de plastique, des matériaux contenant de l'amiante, des débris de construction, des traverses de chemin de fer ou de bois traités, du fumier ou des restes d'animaux, du bois de grève imprégné de sel ou des matériaux salés, du bois non séché, de charbon, de papiers de couleur, emballage-cadeau, de cartons, des contreplaqués ou des panneaux de particules. La combustion de ces matériaux peut entraîner la libération de fumées toxiques ou rendre l'appareil inefficace et causer de la fumée.
- Brûlez le bois directement sur les briques réfractaires. N'utilisez pas un chenet et n'essayez pas de surélever le feu de quelque manière.
- Ne rangez pas de bois à l'intérieur des dégagements prescrits ou à l'intérieur de la zone nécessaire pour procéder au ravitaillement ou à l'enlèvement des cendres.
- Les cendres doivent être mises dans un contenant métallique avec un couvercle hermétique et déposé sur une surface incombustible suffisamment éloigné de la maison ou de toute structure jusqu'à ce qu'elles soient complètement refroidies.
- Assurez-vous de respecter les dégagements aux matériaux combustibles lorsque vous installez un manteau ou des tablettes au-dessus de l'appareil. Les températures élevées sur le mur ou de l'air au-dessus de l'appareil peuvent faire fondre, décolorer ou endommager les décorations, les téléviseurs ou autres composants électroniques.
- Le cas échéant, le catalyseur doit être installé et en bon état de fonctionnement. Il est recommandé que le catalyseur est inspecté au moins 3 fois par saison de chauffage.

2.1 DIMENSIONS

2.1.1 DIMENSIONS DU 1101 (AVEC CONTOUR)



2.1.2 DIMENSIONS DU 1402 (AVEC CONTOUR)



2.2 SPÉCIFICATIONS

Specifications	1101	1402
CHAMBRE DE COMBUSTION (P x L x H)	13 1/2x18x12" (343mmx457mmx- 305mm)	18x18x12" (457mmx457mmx- 305mm)
CAPACITÉ	1.7 PI ³	2.25 PI ³
SURFACE CHAUFFÉE APPROX.**	600-1600 PI ²	800-2000 PI ²
DÉBIT DE CHALEUR MAXIMALE***	55,000 BTU/Hr	70,000 BTU/Hr
DÉBIT DE CHALEUR *	11,700 - 42,200 BTU/Hr	11,400 - 41,300 BTU/Hr
DURÉE COMBUSTION LENTE**	7 Heurs	9 Heurs
POIDS SANS BRIQUES	185 lb (84kg)	250 lb (113kg)
POIDS DES BRIQUES	110 lb (50kg)	145 lb (66kg)
LONGUEUR IDÉALE DES BÛCHES	12" (305mm)	16" (406mm)
PROFONDEUR MINIMALE	3 3/4" (95mm)	15 5/8" (397mm)
PROFONDEUR MAXIMALE	7 3/4" (197mm)	19 5/8" (498mm)

* Comme testé en utilisant la méthode de test 28

** Ces données peuvent varier considérablement selon les conditions particulières.

*** BTU/hr réalistes estimés par Wolf Steel ltée avec des bûches de bois dur et un ravitaillement normal.

2.3 INSTRUCTIONS GÉNÉRALES

AVERTISSEMENT

CET APPAREIL DOIT ÊTRE RACCORDÉ ÉLECTRIQUEMENT PAR UN ÉLECTRICIEN QUALIFIÉ CONFORMÉMENT AUX CODES LOCAUX. EN L'ABSENCE DE CODES LOCAUX, UTILISEZ LA VERSION COURANTE DU CODE CANADIEN DE L'ÉLECTRICITÉ CSA C22,1 (AU CANADA) OU LE NATIONAL ELECTRICAL CODE ANSI/NFPA 70 AUX ÉTATS-UNIS.

CET APPAREIL N'A PAS ÉTÉ TESTÉ AVEC UN ENSEMBLE DE BÛCHES À GAZ VENTILÉES OU NON VENTILÉES. AFIN DE RÉDUIRE LE RISQUE D'INCENDIE OU DE BLESSURE, N'INSTALLEZ PAS D'ENSEMBLE DE BÛCHES À GAZ VENTILÉES OU NON VENTILÉES DANS CET APPAREIL.

FAIRE FONCTIONNER VOTRE APPAREIL AVEC LA CHUTE À CENDRES OUVERTE OU ENTROUVERTE CONSTITUE UN RISQUE D'INCENDIE QUI PEUT CAUSER UNE DÉCOLORATION DE LA PORTE PLAQUÉE OR, DES DOMMAGES INTERNES À L'APPAREIL OU UN FEU DE CHEMINÉE.

CET APPAREIL NE DOIT PAS ÊTRE RACCORDÉ AU CONDUIT D'UNE CHEMINÉE DESSERVANT UN AUTRE APPAREIL.

CET APPAREIL ET SES COMPOSANTS SONT CONÇUS POUR ÊTRE INSTALLÉS ET FONCTIONNER COMME UN SYSTÈME. TOUTE MODIFICATION OU SUBSTITUTION DE COMPOSANTS AUTRES QUE CELLES INDICÉES DANS LES INSTRUCTIONS D'INSTALLATION AURONT POUR EFFET D'ANNULER L'HOMOLOGATION ET RISQUE D'ANNULER LA GARANTIE. CELA PEUT AUSSI CRÉER UNE INSTALLATION DANGEREUSE. LISEZ BIEN TOUTES LES INSTRUCTIONS AVANT DE COMMENCER VOTRE INSTALLATION ET SUIVEZ-LES À LA LETTRE.

4.7

- Avant d'installer cet appareil, contactez les autorités locales en bâtiment ou le service des incendies et votre compagnie d'assurance afin de vous conformer à leurs directives.
- De la fumée non toxique émanera de l'appareil lors du processus de cuisson de la peinture. Ouvrez une fenêtre à proximité de l'appareil pour aider à dissiper la fumée.
- Enlevez la poussière ou les débris sur le dessus de l'appareil avant de l'allumer car la peinture ramollira pendant que l'appareil se réchauffe et durcira pendant le processus de cuisson. Pour cuire la peinture, faites brûler l'appareil à feu modéré durant les quelques premiers allumages.
- Pour empêcher le joint d'étanchéité de coller à l'appareil lors de la cuisson de la peinture, ouvrez la porte de l'appareil toutes les 5-10 minutes.
- Durant les deux premières semaines, faites brûler l'appareil avec beaucoup de bois et ouvrez le contrôle de combustion au maximum pendant une heure pour permettre à l'appareil d'éliminer toute humidité dans l'acier et les briques réfractaires. La production de chaleur initiale sera réduite alors que l'humidité est chassée de l'appareil. Il sera nécessaire de faire plusieurs feux chauds pour éliminer cette humidité. **LORS DE CE PROCESSUS, NE SURCHAUFFEZ PAS L'APPAREIL. RÉDUISEZ L'APPORT D'AIR À L'APPAREIL SI CELUI-CI OU LA CHEMINÉE DEVIENNENT ROUGEYANTS.**

2.4 INFORMATION GÉNÉRALE

Votre appareil a été conçu afin de répondre spécifiquement aux exigences des normes d'émissions de particules de l'E.P.A. américaine de 1990 et a subi un nombre considérable de tests dans des laboratoires canadiens et américains. Ce système est le plus efficace, le plus simple et sans problème connu; il fonctionne comme suit :

Votre appareil utilise exactement la même technologie de combustion propre qui se trouve dans tous les poêles Napoléon certifiés EPA et en particulier, les modèles EPA 1100 et 1400. Des modifications externes ont été apportées afin de permettre leur installation comme « encastré fonctionnel » avec une soufflerie ainsi qu'en enfermant la cavité du foyer en maçonnerie pour leur assurer une efficacité de chauffage accrue.

L'encastrement 1101 doit être installé dans un foyer à combustible solide d'au moins 16 1/2" (419mm) de profondeur, sur 28 1/2" (724mm) de largeur, sur 22" (559mm) de hauteur, raccordé à un système de cheminée gainée approuvé d'au moins 15 pieds (4,6 m) de hauteur et ayant une base de protection de 16" (406mm).

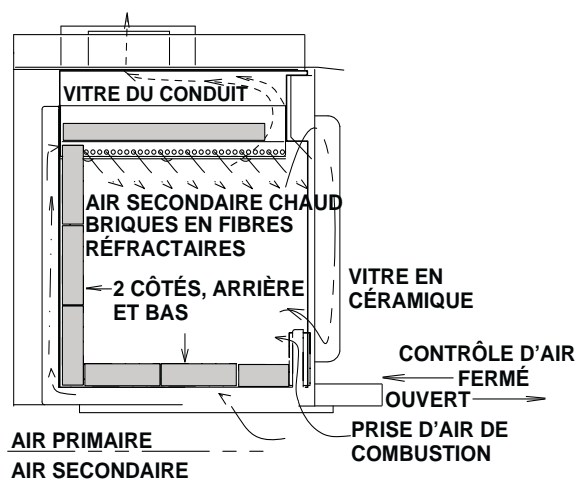
L'encasté 1402 doit être installé dans un foyer à combustible solide d'au moins 14" (356mm) de profondeur, sur 26" (660mm) de largeur, sur 22" (559mm) de hauteur, raccordé à un système de cheminée gainée approuvé d'au moins 15 pieds (4,6 m) de hauteur et ayant une base de protection de 16" (406mm). Cette profondeur minimale peut seulement être atteinte si la hauteur de l'ouverture est suffisante pour permettre au connecteur d'être installé sous la façade incombustible. La construction de l'appareil et de la cheminée doit être conforme aux normes des codes du bâtiment locaux et nationaux.

Pour favoriser la circulation adéquate des produits d'échappement, le système d'évacuation de la cheminée de l'appareil au bois doit être conçu de façon à minimiser les déviations. Les systèmes d'évacuation trop courts ou trop longs peuvent nuire à la circulation des produits d'échappement. L'appareil au bois et le système d'évacuation de la cheminée doivent bénéficier d'un apport d'air comburant suffisant, non seulement pour alimenter la flamme dans la chambre de combustion, mais aussi pour favoriser un tirage adéquat. Un bon équilibre entre l'air comburant et le système d'évacuation de la cheminée optimisera la performance de votre appareil.

L'air comburant entre par deux ouvertures dans le plancher de l'appareil qui sont couvertes par un contrôle de combustion. L'air pénètre par l'ouverture avant et s'engage de chaque côté de la porte pour rejoindre un collecteur de préchauffement installé au sommet de la chambre de combustion. L'air descend ensuite le long de la vitre pour alimenter le feu et aussi assurer que la vitre demeure propre. L'air provenant de cette ouverture pénètre aussi directement dans la chambre de combustion au niveau de l'âtre.

L'air secondaire pénètre par l'ouverture arrière, monte par l'arrière le long du tube d'air secondaire jusqu'au collecteur installé au sommet où l'air est propulsé latéralement pour oxyder les gaz sous la sortie de fumée.

La chambre de combustion inférieure est revêtue de briques réfractaires à haute température sur deux côtés, l'arrière et le plancher. Le plafond est revêtu de déflecteurs en fibre afin de maintenir une température élevée dans la chambre de combustion. Ainsi, les gaz qui se mélangent à l'air préchauffé dans le tuyau d'air secondaire s'allument et brûlent facilement. Les côtés et l'arrière de l'appareil sont munis d'une deuxième paroi de façon à diriger la chaleur vers le haut et vers l'avant dans la pièce.



Assurez-vous qu'il y ait suffisamment d'air comburant. Dans la maison, beaucoup d'appareils doivent se partager l'air disponible, tels : les hottes de cuisinière, les systèmes de chauffage à air pulsé ou les ventilateurs de salle de bain.

Les bruits causés par l'expansion et la contraction lors des cycles de chauffage et de refroidissement sont tout à fait normaux et il faut s'y attendre.

Après de longues périodes sans utiliser l'appareil, telles qu'à la suite de vacances ou à la fin de l'été, il se peut qu'une légère odeur se dégage pendant quelques heures. Ceci est causé par des particules de poussière brûlant sur la chambre de combustion. Ouvrez une fenêtre afin d'aérer suffisamment la pièce.

AVERTISSEMENT - PROPOSITION 65 DE LA CALIFORNIE :

L'utilisation de cet appareil peut produire de la fumée qui contient des substances chimiques qui, selon l'État de Californie, causeraient le cancer, des malformations congénitales ou autres dangers pour la reproduction.

Si vous avez des problèmes de fumée, vous devrez ouvrir une fenêtre, une porte ou trouver une autre façon de fournir de l'air comburant à l'appareil.



CONSEIL D'INSTALLATION POUR LES ENCASTRÉS AVEC UN FINI EN PORCELAINE ÉMAILLÉE :

Lorsque vous glissez l'encasté dans le foyer existant, assurez-vous que la base des panneaux latéraux en porcelaine ne frotte pas sur la base de protection en maçonnerie.


2.5 INFORMATION SUR LA PLAQUE D'HOMOLOGATION

Pour l'emplacement de la plaque d'homologation, voir la section « VUE D'ENSEMBLE DE L'INSTALLATION ».

Cette illustration est à titre de référence seulement. Consultez la plaque d'homologation pour obtenir l'information précise.







NOTE: La plaque d'homologation doit rester avec l'appareil à tout instant. Il ne doit pas être enlevé.

FR



Intertek
9700539 (WSL)
4001657 (NGZ)
4001658 (NAC)
4001659 (WUSA)

LISTED SOLID FUEL BURNING SPACE HEATER / POÊLE À COMBUSTIBLE SOLIDE
HOMOLOGUÉ TESTÉ TO: / TESTÉ SELON : UL1482 / ULC S627
MODEL / MODÈLE - EPA 1400

INSTALL AND USE ONLY IN ACCORDANCE WITH THE MANUFACTURER'S INSTRUCTIONS AND LOCAL BUILDING CODES.
MINIMUM CEILING HEIGHT: 7FT (2.13m)

HEARTH EXTENSION / COMBUSTIBLE FLOOR PROTECTION: IF INSTALLED ON A COMBUSTIBLE FLOOR, UNIT MUST BE PLACED ON A NON-COMBUSTIBLE FLOOR PROTECTOR EXTENDING 18" (455mm) IN FRONT AND 8" (205mm) TO THE SIDES AND BACK.

CHIMNEY TYPE: MINIMUM 6" (152mm) DIAMETER APPROVED RESIDENTIAL TYPE FOR MOBILE HOME USE A CHIMNEY LISTED TO ULC S629 IN CANADA OR UL 103HT IN THE USA.

CHIMNEY CONNECTOR: 6" (152mm) DIAMETER MINIMUM 24 GAUGE STEEL MINIMUM CLEARANCE FROM HORIZONTAL CONNECTOR AND CEILING 18" (455mm). DO NOT OBSTRUCT SPACE UNDER HEATER.

SPECIAL METHODS ARE REQUIRED WHEN PASSING A CHIMNEY THROUGH A WALL OR CEILING. SEE INSTRUCTIONS AND BUILDING CODES. DO NOT CONNECT THIS UNIT TO A CHIMNEY FLUE SERVING ANOTHER APPLIANCE.

FUEL: FOR USE WITH WOOD ONLY. DO NOT USE GRATE OR ELEVATE FIRE. BUILD WOOD FIRE DIRECTLY ON HEARTH.

WARNING: RISK OF SMOKE SPILLAGE. OPERATE ONLY WITH DOOR FULLY CLOSED. REPLACE GLASS ONLY WITH CERAMIC GLASS. DO NOT OVERFIRE. IF HEATER OR CHIMNEY CONNECTORS GLOW, YOU ARE OVERFIRING. INSPECT AND CLEAN CHIMNEY FREQUENTLY UNDER CERTAIN CONDITIONS OF USE CREOSOTE BUILD-UP MAY OCCUR RAPIDLY.

OPTIONAL BLOWER KIT: EP-62, 115V, 60HZ, 0.82AMP. ROUTE CORD AWAY FROM UNIT.

DANGER: RISK OF ELECTRICAL SHOCK. DISCONNECT POWER BEFORE SERVICING UNIT.

INSERT: INSTALL AND USE ONLY IN SOLID FUEL BURNING FIREPLACES. DO NOT REMOVE BRICKS OR MORTAR FROM SOLID FUEL BURNING FIREPLACE. INSTALL WITH A POSITIVE FLUE CONNECTOR AND FACEPLATE.

POUR L'INSTALLATION ET UTILISATION CONFORMEMENT AUX INSTRUCTIONS DU FABRICANT ET AUX CODES LOCAUX DU BÂTIMENT. HAUTEUR DE PLAFOND MINIMAL 7PI (2,13m).

PROTECTION D'UN PLANCHER COMBUSTIBLE: SI INSTALLÉ SUR UN PLANCHER COMBUSTIBLE, L'APPAREIL DOIT ÊTRE PLACÉ SUR UNE PLAQUE PROTECTRICE INCOMBUSTIBLE S'ÉTENDANT SUR 18" (455mm) À L'AVANT ET 8" (205mm) À L'ARRIÈRE ET SUR LES CÔTÉS.

TYPE DE CHIMNÉE: DIAMÈTRE MINIMAL DE 6" (152mm) APPROUVÉE POUR USAGE RÉSIDENIEL. MAISON MOBILE EMPLOYEZ UNE CHIMNÉE HOMOLOGUÉE ULC S629 AU CANADA OU UL 103HT AUX ÉTATS-UNIS.

RACCORD DE CHIMNÉE: DIAMÈTRE DE 6" (152mm) D'ACIER DE CALIBRE 24 MINIMUM. 18" (455mm) DE DÉGAGEMENT MINIMAL ENTRE LE RACCORD HORIZONTAL ET LE PLAFOND. NE RIEN ENTREPOSER SOUS L'APPAREIL.

DES MÉTHODES SPÉCIALES SONT REQUISES LORSQU'UNE CHIMNÉE TRAVERSE UN MUR OU UN PLAFOND. VOIR LES INSTRUCTIONS ET LES CODES DU BÂTIMENT.

NE PAS RACCORDER À LA CHIMNÉE D'UN AUTRE APPAREIL COMBUSTIBLE. POUR USAGE AVEC LE BOIS SEULEMENT. N'UTILISEZ PAS DE CHIENNET OU NE SURELÈVEZ PAS LE BOIS. PRÉPAREZ LE FEU DIRECTEMENT SUR LÂTRE.

AVERTISSEMENT: RISQUE D'ÉCHAPPEMENT DE FUMÉE. TENIR LA PORTE FERMÉE LORSQUE LE POÊLE FONCTIONNE. REMPLACEZ LA VITRE PAR UNE VITRE EN CÉRAMIQUE SEULEMENT. NE SURCHAUFFEZ PAS L'APPAREIL. À L'APPAREIL, SI LES RACCORDS ROUGESENT, L'APPAREIL SURCHAUFFÉ, INSPECTEZ ET NETTOYEZ LA CHIMNÉE FRÉQUENTEMENT. DANS CERTAINES CONDITIONS, DES DÉPÔTS DE CRÉOSOTE PEUVENT SE FORMER RAPIDEMENT.

SOUFFLERIE OPTIONNELLE: EP-62, 115V, 60HZ, 0,82A. TENEZ LE CORDON ÉLECTRIQUE LOIN DE L'APPAREIL.

DANGER: RISQUE DE SECOURS ÉLECTRIQUE. DÉBRANCHEZ AVANT DE PROCÉDER À L'ENTRETIEN.

ENCASTRÉ: INSTALLEZ ET UTILISEZ SEULEMENT DANS UN FOYER À COMBUSTIBLE SOLIDE. NE RETIREZ PAS DE MORTIER, NI BRIQUES DU FOYER À COMBUSTIBLE SOLIDE. INSTALLEZ AVEC UNE GAINÉ CONFORME ET UNE PLAQUE DE RECOURVEMENT.

CONTACT LOCAL BUILDING FIRE OFFICIALS ABOUT RESTRICTIONS AND INSTALLATION INSPECTION IN YOUR AREA. MODEL 1400 IS SUITABLE FOR USE IN MOBILE HOMES WHEN USED WITH OUTSIDE AIR INSTALLATION KIT (111KT). A MINIMUM CLEARANCE OF 18" (457mm) TO THE CHIMNEY CONNECTOR MAY BE REQUIRED BY THE AUTHORITY HAVING JURISDICTION.

RENSEIGNEZ-VOUS AUPRÈS DES AUTORITÉS LOCALES DU BÂTIMENT ET DU SERVICE DES INCENDIES AU SUJET DES RESTRICTIONS ET DES INSPECTIONS D'INSTALLATION DANS VOTRE RÉGION. LES MODÈLES 1400 PEUVENT ÊTRE INSTALLÉS DANS UNE MAISON MOBILE SI INSTALLÉS CONJOINTEMENT AVEC UNE PRISE D'AIR EXTÉRIEUR (111KT). UN DÉGAGEMENT MINIMAL DE 18" (457mm) JUSQU'AU RACCORD DE LA CHIMNÉE PEUT ÊTRE EXIGÉ PAR L'AUTORITÉ AYANT JURISDICTION.

IF THE STOVE IS TO BE INSTALLED ON A COMBUSTIBLE FLOOR, IT MUST BE PLACED ON AN APPROVED NON-COMBUSTIBLE HEARTH PAD, THAT EXTENDS 8" (200mm) BEYOND THE STOVE SIDES AND BACK, AND 18" (455mm) TO THE FRONT.

SI LE POÊLE EST INSTALLÉ SUR UN PLANCHER COMBUSTIBLE, IL DOIT ÊTRE PLACÉ SUR UNE BASE DE PROTECTION INCOMBUSTIBLE CERTIFIÉE QUI DOIT DÉPASSER LES CÔTÉS ET L'ARRIÈRE DU POÊLE DE 8" (200mm) ET SE PROLONGER DE 18" (455mm) SUR LE DEVANT.

MINIMUM CLEARANCE TO COMBUSTIBLE MATERIAL WITH SINGLE WALL CHIMNEY CONNECTOR / DÉGAGEMENT MINIMUM AUX MATÉRIAUX COMBUSTIBLES AVEC RACCORD DE CHIMNÉE À PAROI SIMPLE:

RESIDENTIAL / RÉSIDENIEL	MAISON / MOBILE HOME*
1400	S4
12IN/PO (305 mm)	12IN/PO (305 mm)
6IN/PO (152 mm)	16IN/PO (406 mm)
6IN/PO (152 mm)	6IN/PO (152 mm)

USING DOUBLE WALL CONNECTOR / UTILISATION D'UN CONDUIT DE RACCORD À DOUBLE PAROI:

1400	S4	10IN/PO (254 mm)	16IN/PO (406 mm)
10IN/PO (254 mm)	16IN/PO (406 mm)	6IN/PO (152 mm)	6IN/PO (152 mm)
6IN/PO (152 mm)	6IN/PO (152 mm)	4IN/PO (102 mm)	4IN/PO (102 mm)
4IN/PO (102 mm)	4IN/PO (102 mm)		

*MODELS 1400 AND S4 MAY BE INSTALLED INTO A MOBILE HOME IN THE UNITED STATES ONLY.

*LE MODÈLES 1400 ET S4 NE PEUT ÊTRE INSTALLÉ QUE DANS UNE MAISON MOBILE AUX ÉTATS-UNIS SEULEMENT.

THIS WOOD APPLIANCE NEEDS PERIODIC INSPECTION AND REPAIR FOR PROPER OPERATION. CONSULT THE OWNER'S MANUAL FOR FURTHER INFORMATION. IT IS AGAINST UNITED STATES FEDERAL REGULATIONS TO OPERATE THIS WOOD APPLIANCE IN A MANNER INCONSISTENT WITH THE OPERATING INSTRUCTIONS IN THE OWNER'S MANUAL.

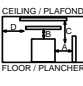
CET APPAREIL AU BOIS DOIT FAIRE L'OBJET D'UNE INSPECTION ET D'UN ENTRETIEN PÉRIODIQUES POUR UN FONCTIONNEMENT ADEQUAT. CONSULTEZ LE MANUEL D'INSTRUCTIONS POUR PLUS D'INFORMATION. LES RÉGLEMENTS FÉDÉRAUX DE LÉTATS-UNIS INTERDISSENT D'UTILISER CET APPAREIL DE CHAUFFAGE D'UNE MANIÈRE ALLANT À L'ENCONTRE DES INSTRUCTIONS DE FONCTIONNEMENT CONTENUES DANS CE MANUEL.

LISTED SOLID FUEL BURNING FIREPLACE INSERT / ENCASTRÉ À COMBUSTIBLE SOLIDE HOMOLOGUÉ

TESTED TO / TESTÉ SELON : ULC S628 / UL 1482

EPI 1402

CLEARANCES TO COMBUSTIBLE CONSTRUCTION / DÉGAGEMENTS AUX MATÉRIAUX COMBUSTIBLES (MEASURED TO UNIT / À PARTIR DE L'APPAREIL):

CEILING / PLAFOND	A SIDE FACING / CÔTÉ	1 IN/PO (25mm)*
	B TOP FACING / DESSUS	28 IN/PO (710mm)
	C MANTEL / TABLETTE	28 IN/PO (710mm)
FLOOR / PLANCHER	D SIDE WALL / MUR LATÉRAL	17 IN/PO (430mm)

*CLEARANCE TO EDGE OF FLASHING / DÉGAGEMENT AU BORD DE LA FAÇADE

MANUFACTURE DATE: / DATE DE FABRICATION:

YEAR: 2016 2017 2018 2019 2020

MONTH: 1 2 3 4 5 6 7 8 9 10 11 12

CAUTION: HOT WHILE IN OPERATION. DO NOT TOUCH. KEEP CHILDREN, CLOTHING AND FURNITURE AWAY. CONTACT MAY CAUSE SKIN BURNS.

ATTENTION: QUAND L'APPAREIL FONCTIONNE, LA SURFACE DEVIENT CHAUDE. NE PAS TOUCHER. TENIR LES ENFANTS, LES VÊTEMENTS ET LES MEUBLES À L'ÉCART. LE CONTACT PEUT CAUSER DES BRÛLURES À LA PEAU.

U.S. ENVIRONMENTAL PROTECTION AGENCY Certified to comply with 2015 particulate emissions standards. Not approved for sale after May 15, 2020. Certifié conforme à la norme d'émission de particules de 2020. Non approuvé pour la vente après le 15 mai, 2020. 40 CFR Part 60, Subpart AAA. 3.5 Grains Per Hour / 3.5 Grammes par heure / Crib Wood 2015

WOLF STEEL LTD.
24 NAPOLEON ROAD, BARRIE, ON, L4M 0G6 CANADA

EPA1400 W385-2031 / A

PLAQUE D'HOMOLOGATION DE LA SÉRIE 1400 ILLUSTRÉE

3.0 PLANIFICATION DE L'INSTALLATION

Débarrassez l'intérieur du foyer de toutes ses cendres. Assurez-vous que la cheminée et le foyer sont étanches; qu'il n'y a pas de mortier détaché, de dépôts de crésote, d'obstruction ou d'autres signes de détérioration. Si nécessaire, faites faire les travaux de réparation par une personne qualifiée avant d'installer l'encastré.

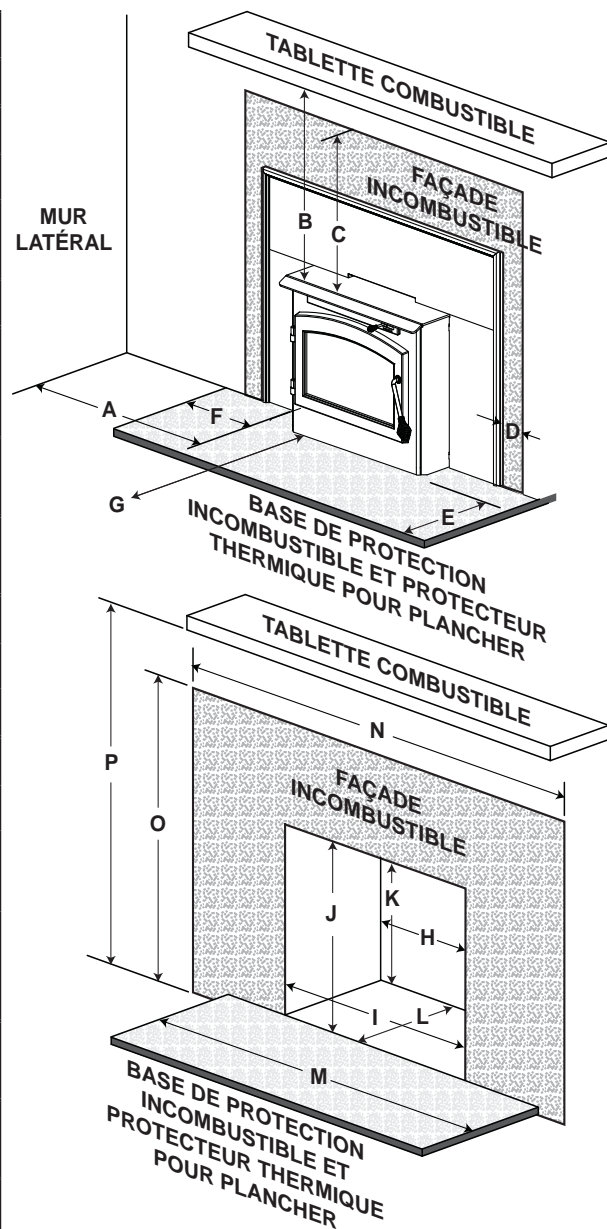
NE retirez **PAS** de mortier ni de briques du foyer en maçonnerie. S'il y a une prise d'air extérieur ou une chute à cendres, remplissez-les avec de l'isolant en fibre de verre. Maintenez les dégagements minimaux aux matériaux combustibles tel qu'illustré.

NE placez **AUCUN** matériau combustible (meubles, bois de chauffage, etc.) plus près que 48" (1219mm) du devant et 36" (914mm) des côtés de l'encastré.

Les matériaux combustibles ne doivent pas être en saillie plus de 1" (25mm) de chaque côté et entre le dessus de l'encastré et la tablette décorative.

3.1 DÉGAGEMENTS MINIMAUX AUX MATÉRIAUX COMBUSTIBLES

DÉGAGEMENTS MINIMAUX			
		1101	1402
A	Mur latéral	17" (432mm)	17" (432mm)
B	Tablette	28" (711mm)	28" (711mm)
C	Façade supérieure	28" (711mm)	28" (711mm)
D	Façade latérale	1" (25mm)	
E	Base de protection (avant)	Canada 18" (455mm) US 16" (406mm)	Canada 18" (455mm) US 16" (406mm)
F	Base de protection (côté)	8" (203mm)	8" (203mm)
G	Objets placés devant l'encastré	48" (1219mm)	48" (1219mm)
DIMENSIONS MINIMALES DU FOYER			
H	Largeur (arrière)	24" (610mm)	24 1/2" (622mm)
I	Largeur (avant)	28.5" (724mm)	26" (660mm)
J	Hauteur (avant)	22" (558mm)	22" (558mm)
K	Hauteur (arrière)	22" (558mm)	22" (558mm)
L	Profondeur	16 1/2" (419mm) to 21" (533mm)	14 1/2" (368mm)
M	Largeur de la base de protection	39" (990mm)	39" (990mm)
N	Largeur de la façade	46 1/2" (1181mm)	46 1/2" (1181mm)
O	Hauteur de la façade	48 1/2" (1232mm)	47 3/4" (1213mm)
P	Tablette	48 1/2" (1232mm)	47 3/4" (1213mm)



BASE DE PROTECTION / PROTECTION DE PLANCHER :

La base de protection doit être incombustible et se prolonger à l'avant de l'encastré et de 8" (203mm) de chaque côté. Elle doit avoir une épaisseur minimale de 1/2" (12,7mm) et un coefficient de conductivité thermique (k) de 0,84.

4.0 INSTALLATION

! AVERTISSEMENT

PORTEZ DES GANTS ET DES LUNETTES DE PROTECTION.

SUIVEZ ATTENTIVEMENT LES INSTRUCTIONS POUR L'ASSEMBLAGE DE LA CHEMINÉE ET DES AUTRES COMPOSANTS NÉCESSAIRES À L'INSTALLATION DE L'APPAREIL. TOUTE OMISSION POURRAIT CAUSER UN INCENDIE, PARTICULIÈREMENT SI DES MATÉRIAUX COMBUSTIBLES SONT TROP PRÈS DE L'APPAREIL OU DE LA CHEMINÉE ET QUE DES OUVERTURES D'AIR SONT BLOQUÉES, EMPÊCHANT LA LIBRE CIRCULATION DE L'AIR DE REFOUILLISSEMENT.

N'INSTALLEZ PAS LA PRISE D'AIR EXTÉRIEUR DANS LE GARAGE. LES PRODUITS D'ÉCHAPPEMENT PROVENANT DES MOTEURS À ESSENCE SONT DANGEREUX.

N'INSTALLEZ PAS LA PRISE D'AIR EXTÉRIEUR DANS UN GRENIER, UN SOUS-SOL OU AU-DESSUS DU TOIT OÙ D'AUTRES APPAREILS DE CHAUFFAGE, DES VENTILATEURS ET DES CHEMINÉES ÉVACUENT OU TIRENT DE L'AIR. CES MESURES RÉDUIRONT LES POSSIBILITÉS DE REFOULEMENT DE FUMÉE OU UNE INVERSION DU DÉBIT D'AIR. L'ENTRÉE DE LA PRISE D'AIR DOIT DEMEURER DÉGAGÉE DE FEUILLES, DE DÉBRIS, DE GLACE OU DE NEIGE. ELLE DOIT ÊTRE DÉGAGÉE LORSQUE L'APPAREIL FONCTIONNE AFIN QUE LA PIÈCE NE SOIT PAS PRIVÉE D'AIR, CE QUI PEUT CAUSER DES REFOULEMENTS DE FUMÉE OU UNE INCAPACITÉ À MAINTENIR UN FEU. LES REFOULEMENTS DE FUMÉE PEUVENT AUSSI DÉCLENCHER LES DÉTECTEURS DE FUMÉE.

UNE PRESSION NÉGATIVE DANS LA MAISON POURRAIT NUIRE AU RENDEMENT DE L'APPAREIL.

AFIN D'ÉVITER TOUT CONTACT AVEC DE L'ISOLANT QUI S'AFFAÏSSÉ, L'APPAREIL NE DOIT PAS ÊTRE INSTALLÉ CONTRE UN COUPE-VAPEUR OU DE L'ISOLANT À DÉCOUVERT. UNE SURCHAUFFE LOCALISÉE PEUT SURVENIR ET UN INCENDIE POURRAIT S'ENSUIVRE.

N'UTILISEZ PAS DE COMPROMIS DE FORTUNE LORS DE L'INSTALLATION. N'OBSTRUEZ PAS, ENTIÈREMENT NI PARTIELLEMENT, LES OUVERTURES D'AIR, LES GRILLES OU LES PERSIENNES. N'AJOUTEZ PAS DE HOTTE.

.POUR PRÉVENIR DES BLESSURES GARDEZ VOS OUTILS À MAIN EN BON ÉTAT, AFFÛTEZ LES TRANCHANTS ET ASSUREZ-VOUS QUE LES MANCHES SONT SOLIDES.

EN TOUT TEMPS, CONSERVEZ L'ESPACE VIDE MINIMAL REQUIS À L'ENCEINTE AFIN DE PRÉVENIR LES INCENDIES.

68.3C

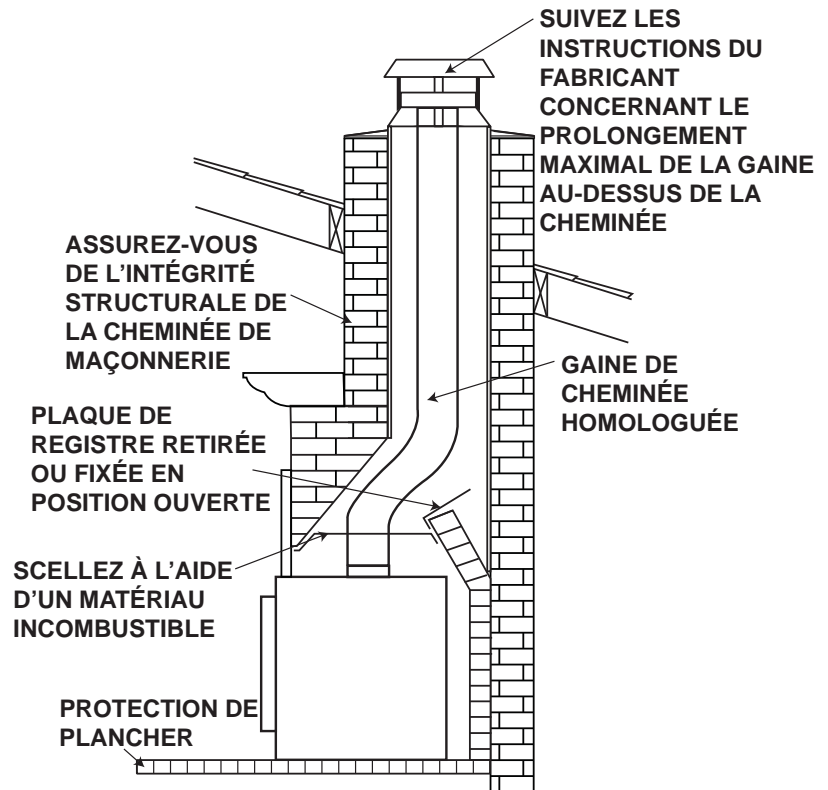
La cheminée et le conduit de raccordement doivent être gardés en bonne condition et propres.

4.1 INSTALLATION TYPIQUE DANS UNE CHEMINÉE DE MAÇONNERIE EXISTANTE

! AVERTISSEMENT

CET APPAREIL NE DOIT PAS ÊTRE RACCORDÉ AU CONDUIT D'UNE CHEMINÉE DESSERVANT UN AUTRE APPAREIL. NE RACCORDEZ À AUCUN AUTRE CONDUIT OU SYSTÈME DE DISTRIBUTION D'AIR.

Vous pouvez aussi installer votre appareil en utilisant votre cheminée de maçonnerie existante. Pour ce faire, suivez les directives suivantes. Si vous utilisez une cheminée en maçonnerie, vous devez vous assurer qu'elle répond aux normes de construction de votre région. Elle doit être construite de briques d'argile réfractaire, de tuiles de métal ou d'argile cimentées ensemble avec du ciment réfractaire. (Les conduits de cheminée ronds sont les plus efficaces.)



62.2

- A.** Retirez le registre du foyer ou fixez-le en position ouverte de façon permanente.
* Nous recommandons la méthode suivante pour sceller la section du registre autour de la gaine.
- B.** * Mesurez la gorge du foyer et dessinez sa forme sur un morceau de tôle de calibre 24 qui servira de plaque d'isolation; découpez une ouverture de (6 3/4" / 171mm) de diamètre alignée directement avec l'ouverture du conduit d'évacuation du foyer. Conservez deux pouces de métal pour former un rebord de chaque côté et coupez à ces dimensions. Pliez les rebords. Si vous n'avez jamais fait ceci auparavant, nous vous conseillons de découper d'abord un modèle en carton que vous mettrez à l'essai. Posez la plaque d'isolation en position, aussi haut que possible, à l'aide de deux vis à maçonnerie fixées au foyer de chaque côté de la plaque, à travers le rebord.

Au Canada : Installez une gaine de cheminée homologuée en acier inoxydable de 6" (152mm) de diamètre du sommet de la plaque de cheminée jusqu'à la buse de l'encastrement. Fixez un connecteur ou un coude en acier inoxydable sur la gaine et insérez sur la buse de l'encastrement. Fixez à l'aide de trois vis. Fixez le sommet de la gaine au chapeau de cheminée en utilisant un support de gaine et un solin de cheminée. Recouvrez le sommet de la gaine avec un chapeau homologué.

Aux États-Unis : Même si ce n'est pas obligatoire, il est conseillé que la gaine de cheminée soit continue entre l'encastrement et le sommet de la cheminée, particulièrement lorsque l'encastrement est installé dans un sous-sol. Pour ce genre de raccordement, consultez les instructions d'installation du Canada ci-dessus.

Si une gaine continue n'est pas installée, un raccordement direct à la buse de l'appareil doit être installé. Un raccordement direct à la buse requiert un conduit incombustible qui s'étend de l'encastrement jusque dans le conduit de la cheminée et qu'une plaque soit fixée et scellée sous le point d'entrée du conduit afin de prévenir la dilution des produits de combustion dans le conduit de la cheminée avec l'air à l'intérieur de la maison. Recouvrez le sommet de la cheminée avec un chapeau homologué.

4.2 FOYER PRÉFABRIQUÉ

Les contraintes d'installation suivantes doivent être observées lorsque vous installez des encastrés à combustible solide dans des foyers préfabriqués.

- A. Le foyer préfabriqué doit être homologué selon les normes UL 127 ou ULC S610.
- B. Les dégagements aux matériaux combustibles entourant l'encastré doivent être respectés, comme démontré. Ces contraintes de dégagement remplacent toutes les autres contraintes de dégagement préexistantes pour les foyers préfabriqués.
- C. L'installation doit inclure une cheminée pleine longueur homologuée, respectant les contraintes de hautes températures (2100°F/1149°C) selon la norme UL 1777 (États-Unis) ou la norme ULC S635 (Canada). La gaine doit être solidement fixée à la buse de l'encastré et au sommet de la cheminée.
- D. Des mesures doivent être prises afin d'empêcher le passage de l'air de la pièce dans la cavité du foyer. Ceci peut être accompli en scellant la région du registre autour de la gaine de la cheminée ou en scellant la façade du foyer.
- E. L'installation de l'encastré ne doit pas modifier la circulation d'air à l'intérieur ou autour de l'appareil (c.-à-d. les persiennes, la prise d'air et la sortie d'air doivent être libres de toutes obstructions), à moins d'avoir été testés et approuvés par le fabricant spécifiquement pour chaque modèle. **NOTE : L'utilisation d'une façade à persiennes respecte cette exigence.**
- F. Aucune modification à l'appareil n'est permise, à l'exception des cas suivants :
 - A. Des moulures extérieures qui n'affectent pas le fonctionnement de l'appareil peuvent être retirées, pourvu qu'on puisse les ranger et les réinstaller si l'encastré est retiré.
 - B. Le registre de la cheminée peut être retiré pour permettre l'installation de la gaine de cheminée.
- G. Les espaces d'air de convection (c.-à-d. dans les chemisages en acier ou les caissons métalliques) ne doivent pas être bloqués.
- H. Prévoyez les moyens nécessaires pour retirer l'encastré afin de nettoyer le conduit de la cheminée.
- I. Les encastrés installés en projection doivent être supportés de façon appropriée.
- J. Une étiquette de mise en garde, en métal, doit être apposée de façon permanente à l'arrière du foyer stipulant que, lorsque l'encastré est retiré, le foyer doit être remis à son état original afin d'en faire un usage sécuritaire.

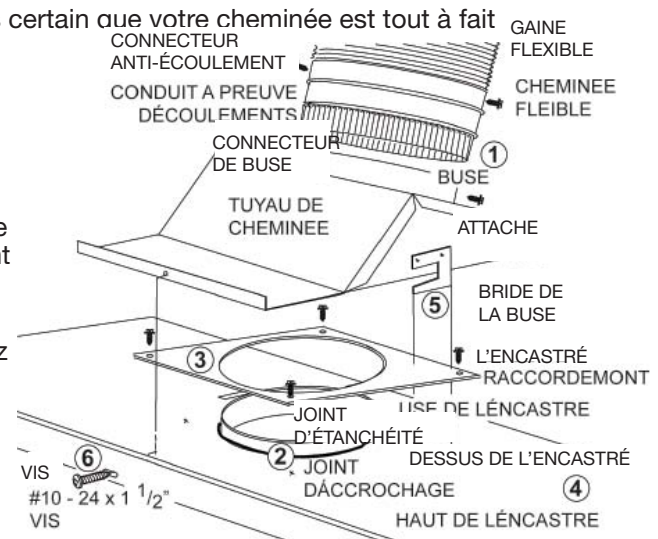
80.2B

4.3 CONNECTEUR DE BUSE POUR ESPACES RESTREINTS (1402)

Un connecteur de buse pour espaces restreints est disponible afin de faciliter le raccordement dans les foyers de maçonnerie à espace restreint. Consultez votre détaillant pour plus de détails.

NOTE : Cet ensemble devra être utilisé conjointement avec un connecteur anti-écoulement placé entre la buse et la gaine flexible.

- A. Installez la gaine flexible une fois que vous êtes certain que votre cheminée est tout à fait propre. Insérez le connecteur anti-écoulement dans la buse. Fixez la gaine flexible à l'autre extrémité de l'adaptateur. Fixez-les avec six vis #8.
- B. Enroulez le joint d'étanchéité autour de la buse de l'encastré de façon à sceller l'espace entre la buse et le dessus de l'encastré. Fixez la bride de la buse à l'aide de 4 vis #8, en serrant le joint fermement.
- C. Positionnez l'encastré à l'intérieur du foyer. En manoeuvrant de l'intérieur de l'encastré, passez votre bras à travers la buse de l'encastré puis insérez les attaches dans chacune des fentes sur le dessus de l'encastré.
- D. Insérez la vis #10-24 dans la fente située dans le haut de l'encastré, puis dans le trou fileté du connecteur de buse. Ceci rapprochera le connecteur de buse vers l'avant, tout en le fixant en place.



NOTE : En plaçant une lampe de poche allumée dans la buse de l'encastré, vérifiez que le dessus de l'encastré et le connecteur de buse sont scellés hermétiquement.

5.0 FINITIONS

5.1 INSTALLATION DES BRIQUES ET DES DÉFLECTEURS EN FIBRE

! AVERTISSEMENT

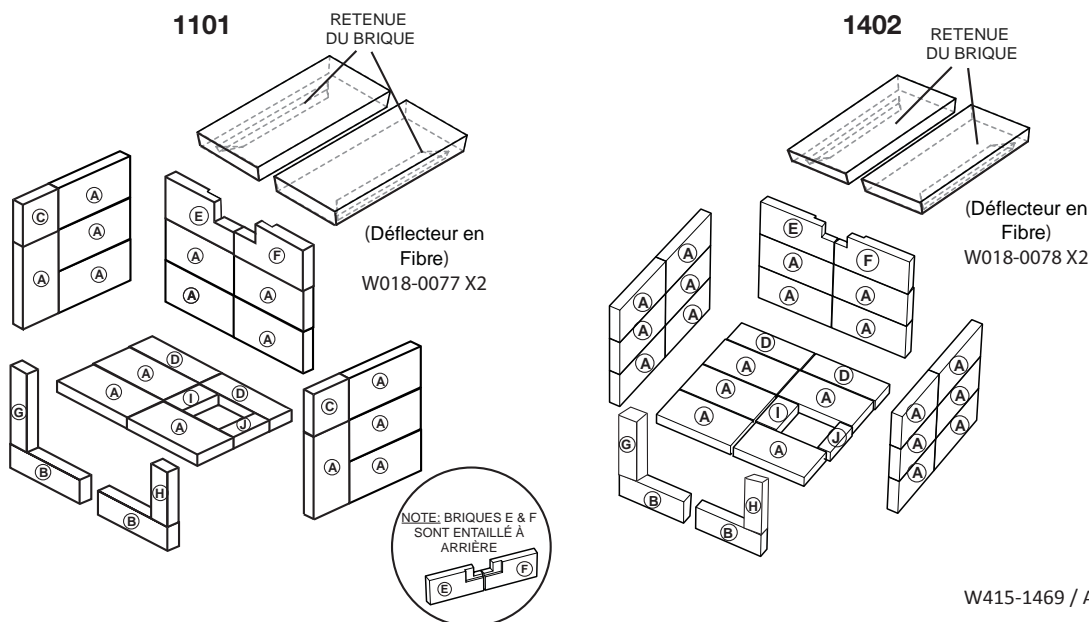
L'UTILISATION DE L'APPAREIL SANS LES DÉFLECTEURS PEUT CAUSER DES TEMPÉRATURES EXCESSIVES QUI POURRAIENT ENDOMMAGER L'APPAREIL, LA CHEMINÉE ET L'ENCEINTE.

- A. Dans le cas du modèle 1101, installez quatre briques (A) et une brique (C). Dans le cas du modèle 1402, installez six briques (A) de chaque côté de l'appareil. Avant d'installer les briques arrière, desserrez la vis du support et assurez-vous qu'il est déplacé vers l'avant. Installez les quatre briques (A) et deux briques (D) sur la paroi arrière, en les faisant pivoter sous le support à briques. Resserrez la vis. **NOTE : Les briques du centre (D) ont été entaillées.**
- B. Pivotez soigneusement les déflecteurs en fibre (G) et (H), et installez-les sur le dessus des briques latérales. Appuyez l'autre extrémité sur le rebord de l'écran du collecteur. Assurez-vous que les déflecteurs supérieurs sont complètement poussés vers l'arrière de la chambre de combustion, en laissant un espace minimum d'un pouce à l'avant. Ceci permettra aux résidus des gaz de combustion d'être évacués de la chambre de combustion.
- C. Installez les briques de plancher du 1101 : quatre briques (A) et deux briques (B), ou celles du 1402 : six briques (A) et deux briques (B), en commençant par la partie arrière de l'appareil.
- D. Installez les deux briques (B), une brique (E) et une brique (F) à l'avant de l'appareil tel qu'illustré.

NOTE : Ne faites pas fonctionner si le déflecteur ou l'écran du collecteur ne sont pas en place.

1101 & 1402 (Tous les briques réfractaires sont de 1 ¼ pouces (32mm) d'épaisseur))

DIMENSIONS DÉFLECTEURS EN FIBRE		PART #		DIMENSIONS DÉFLECTEURS EN FIBRE		PART #	
		1101	1402			1101	1402
A	4 1/2" x 9" (114mm x 229mm)	W090-0001 X15	W090-0001 X21	F	4 1/2" x 9" (Entaillées) (114mm x 229mm)	W090-0208 X1	W090-0208 X1
B	3" x 9" (Moulé) (6mm x 229mm)	W090-0002 X2	W090-0002 X2	G	2 1/4" x 9" (57mm x 229mm)	W090-0018 X1	W090-0018 X1
C	4 1/2" x 4 1/2" (114mm x 144mm)	W090-0003 X2	N/A	H	2 1/4" x 6 1/8" (64mm x 121mm)	W090-0019 X1	W090-0019 X1
D	3" x 9" (76mm x 229mm)	W090-0166 X2	W090-0166 X2	I	2 1/2" x 4 1/2" (64mm x 114mm)	W090-0016 X1	W090-0016 X1
E	4 1/2" x 9" (Entaillées) (114mm x 229mm)	W090-0207 X1	W090-0207 X1	J	1 1/2" x 4 1/2" (38mm x 114mm)	W090-0017 X1	W090-0017 X1



5.2 ENLÈVEMENT ET INSTALLATION DE LA PORTE

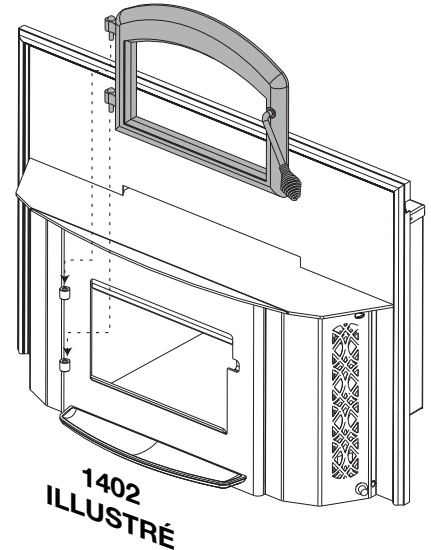
**WARNING**

FAIRE FONCTIONNER CET APPAREIL AVEC LES PORTES OUVERTES OU ENTROUVERTES CRÉE UN RISQUE D'INCENDIE DE CHEMINÉE OU DU DOMICILE.

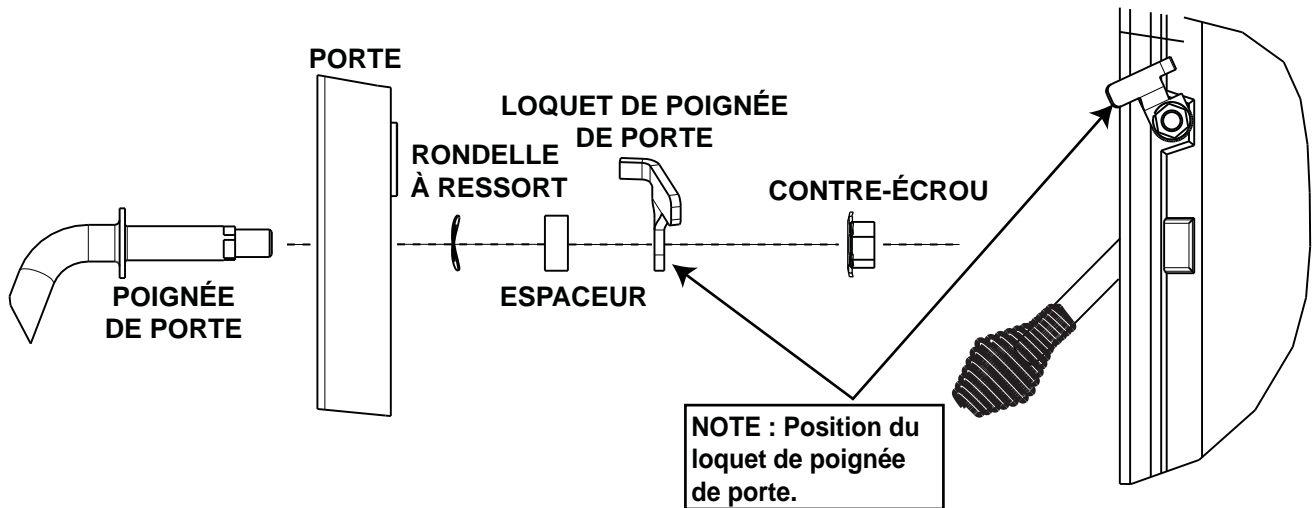
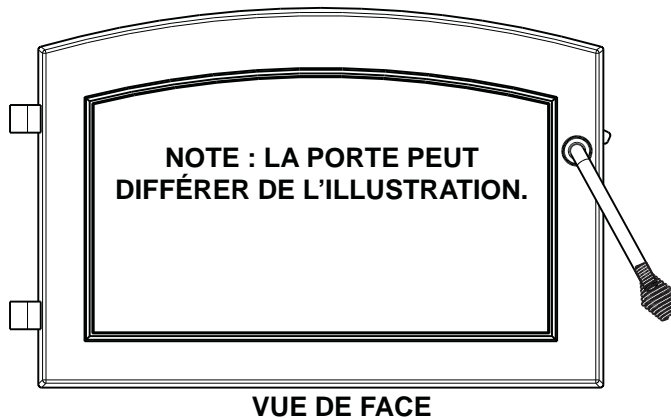
NE FRAPPEZ PAS ET NE CLAQUEZ PAS LA PORTE.

N'ENLEVEZ JAMAIS LA PORTE LORSQUE L'APPAREIL EST CHAUD.

Installez la porte en vous servant des tiges de charnière fournies.



5.3 INSTALLATION DE LA POIGNÉE DE PORTE

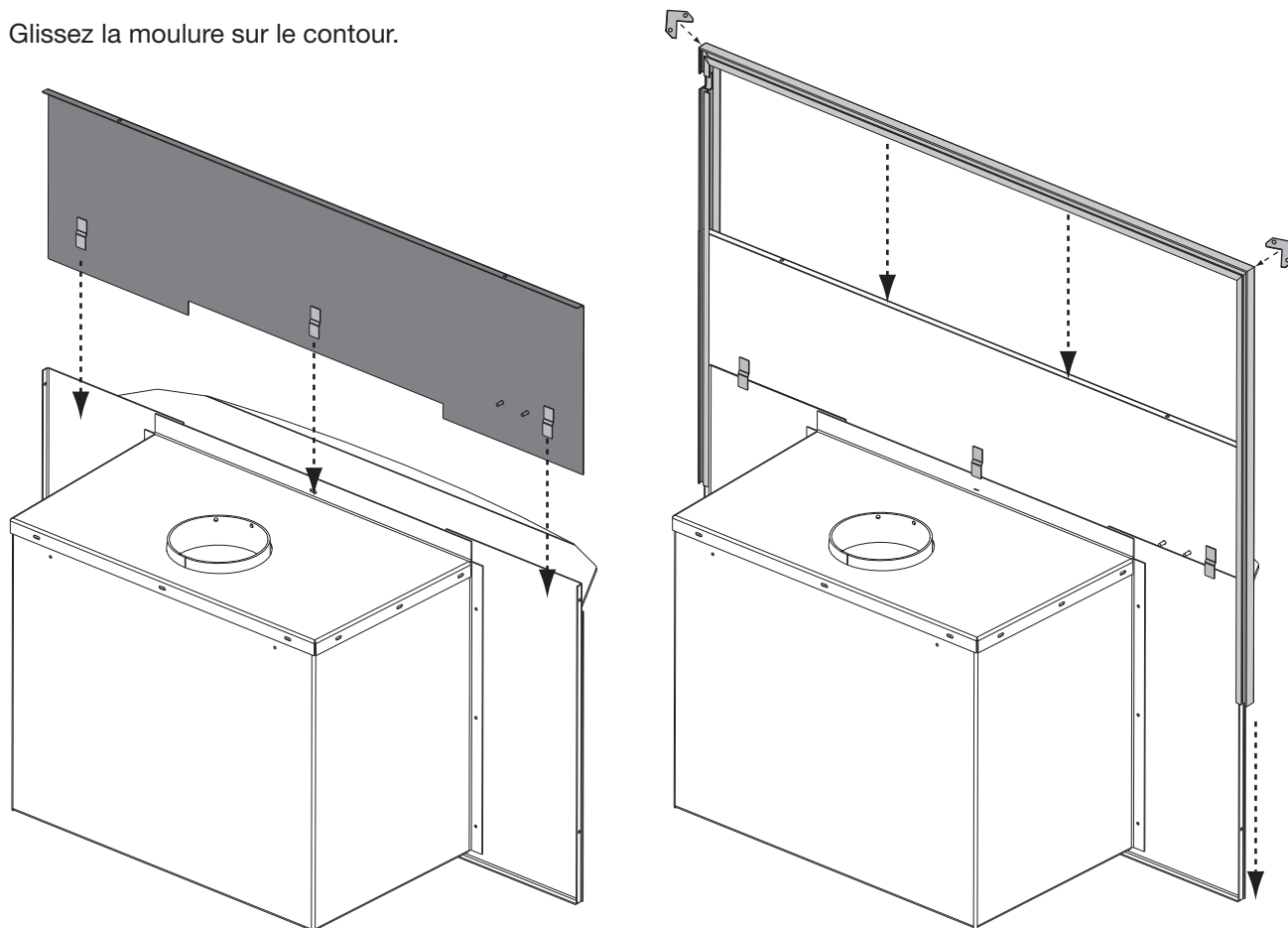


Insérez la grande poignée à ressort sur l'extrémité de la poignée de porte. Insérez la petite poignée à ressort sur l'extrémité de la tige du registre située sous la porte.

5.4 INSTALLATION DU CONTOUR

La pièce supérieure du contour est expédiée à plat. Pour installer le contour, appuyez la partie inférieure contre la partie supérieure de l'appareil et fixez-la à l'aide des attaches, comme illustré ci-dessous.

Glissez la moulure sur le contour.




Modèle 1402 illustré. Pour installer le contour du modèle 1101, suivez les directives décrites dans le feuillet accompagnant l'ensemble de contour.

FR

6.0 ENTRETIEN

FR

 WARNING
FAITES TOUJOURS FONCTIONNER CET APPAREIL AVEC LA PORTE FERMÉE ET VERROUILLÉE SAUF DURANT L'ALLUMAGE ET LE RAVITAILLEMENT OU LORSQUE VOUS UTILISEZ LE PARE-ÉTINCELLES. PORTEZ TOUJOURS DES GANTS POUR PRÉVENIR LES BLESSURES. NE LAISSEZ PAS L'APPAREIL SANS SUPERVISION LORSQUE LES PORTES SONT DÉVERROUILLÉES OU LORSQUE VOUS UTILISEZ LE PARE-ÉTINCELLES. DU BOIS INSTABLE POURRAIT TOMBER HORS DE LA CHAMBRE DE COMBUSTION ET CRÉER UN RISQUE D'INCENDIE
NE LAISSEZ JAMAIS LES ENFANTS SANS SURVEILLANCE LORSQU'UN FEU BRÛLE DANS L'APPAREIL.
N'UTILISEZ JAMAIS D'ESSENCE, DE COMBUSTIBLE À LANTERNE, DE KÉROSÈNE, D'ESSENCE À BRIQUET OU AUTRES LIQUIDES POUR ALLUMER OU RAVIVER UN FEU DANS CET APPAREIL. GARDEZ TOUS CES LIQUIDES ÉLOIGNÉS DE L'APPAREIL LORSQUE CELUI-CI FONCTIONNE.
LES OBJETS PLACÉS DEVANT L'APPAREIL DOIVENT ÊTRE GARDÉS À UNE DISTANCE D'AU MOINS 48" DE LA FACE VITRÉE.
TOUTE MODIFICATION APPORTÉE À L'APPAREIL QUI N'A PAS ÉTÉ PRÉALABLEMENT APOUVÉE PAR ÉCRIT PAR LE LABORATOIRE D'ESSAI EST CONSIDÉRÉ COMME UNE VIOLATION DES NORMES CSA B365 (CANADA) ET ANSI NFPA 211 (É.-U.).
OUVREZ LE CONTRÔLE DE COMBUSTION (ET LE REGISTRE S'IL YA LIEU) AVANT D'OUVRIRE LA PORTE DE L'APPAREIL.
L'APPAREIL EST CHAUD LORSQU'IL FONCTIONNE. TENIR LES ENFANTS, LES VÊTEMENTS ET LES MEUBLES À L'ÉCART. LE CONTACT PEUT CAUSER DES BRÛLURES. PORTEZ DES GANTS LORSQUE VOUS OPÉREZ VOTRE APPAREIL.
FAIRE FONCTIONNER VOTRE APPAREIL AVEC LES PORTES OUVERTES OU ENTROUVERTES CONSTITUE UN RISQUE POUVANT CAUSER UN INCENDIE OU UN FEU DE CHEMINÉE.

Votre appareil Napoléon certifié aux normes EPA est un appareil de haute technologie conçu selon les principes technologiques les plus avancés. Cet appareil est extrêmement hermétique. Il est équipé d'une alimentation directe d'air comburant exclusive (ensemble optionnel), d'un dispositif de sécurité empêchant les fuites, et ce, afin de garder votre maison exempte de monoxyde de carbone, advenant un refoulement de cheminée ou une pression négative interne.

Les premiers feux seront difficiles à allumer et à maintenir, et ils produiront peu de chaleur. Ceci est causé par de l'humidité émanant des briques réfractaires. Durant la période de rodage (les 2 ou 3 premiers feux), ne faites que de petits feux en utilisant du bois d'allumage; cela permettra à la brique de se conditionner. Ne vous inquiétez pas si de petites fissures apparaissent dans les briques réfractaires. Cela est normal et ne menace en rien la sécurité. En raison du processus de cuisson de la peinture, il est possible que de légères émanations se produisent lors des premiers feux. Vous n'aurez qu'à ouvrir une porte ou une fenêtre pour dissiper les odeurs.

À l'allumage, un feu vif est requis. Placez des morceaux de papier grossièrement chiffonnés sur le plancher de l'appareil et couvrez-les de bois d'allumage. Ouvrez complètement le contrôle de combustion en le déplaçant complètement à droite. Allumez le papier et laissez la porte légèrement entrouverte (un pouce) jusqu'à ce que tout le bois d'allumage soit enflammé. Pour maintenir un feu vif, un lit de braises doit se former et être entretenu.

Lentement, ajoutez des morceaux de bois plus gros (2" x 4"). Posez les morceaux dans le lit de braises, parallèlement à l'arrière de l'appareil, tout en gardant une tranchée peu profonde entre les morceaux de bois. Ainsi, l'air comburant primaire circulera directement dans la tranchée et allumera le bois. Lorsque la flambée semble à son maximum, des bûches de dimensions moyennes peuvent être ajoutées. Une fois que ces morceaux ont pris feu, fermez la porte doucement. (Le fait de fermer la porte immédiatement après le chargement entraînera une diminution de température dans la chambre de combustion, qui peut se traduire en une combustion insatisfaisante.) Rappelez-vous qu'il est plus efficace de brûler des morceaux de bois de dimensions moyennes à feu vif et de recharger plus souvent, que d'alimenter l'appareil avec de gros morceaux qui produiront un feu languissant et inefficace qui salira la vitre.

Une fois que la porte est fermée, vous observerez un changement dans le comportement des flammes. Elles deviendront plus petites et plus paresseuses parce que le volume d'oxygène qui entre dans la chambre de combustion est moindre. Cependant, les flammes sont plus efficaces. Elles continueront d'être paresseuses, mais redeviendront plus grandes dès que les briques réfractaires auront été complètement réchauffées et que la cheminée deviendra plus chaude, produisant ainsi un meilleur tirage. À ce stade, les grandes flammes que vous observez lorsque la porte est ouverte tirent inutilement l'air réchauffé de la pièce dans la cheminée, une situation qui est certes indésirable. C'est pourquoi il faut toujours faire fonctionner l'appareil avec la porte complètement fermée lorsque les morceaux de bois de dimensions moyennes sont enflammés.

Vous pouvez maintenant ajouter de plus gros morceaux de bois et faire fonctionner l'appareil normalement. Une fois que l'appareil est complètement réchauffé, il brûlera très efficacement en laissant échapper que très peu de fumée par la cheminée. Il y aura un lit de braises orangées dans la chambre de combustion et les flammes secondaires effleureront le dessous des déflecteurs supérieurs. Vous pouvez sans crainte remplir la chambre de combustion avec du bois jusqu'au haut de la porte de chargement et vous obtiendrez de meilleures flambées si vous maintenez la température du tuyau de l'appareil entre 250°F (120°C) et 450°F (270°C). Un thermomètre de surface vous aidera à mieux contrôler la température.

Sans thermomètre, vous travaillez à l'aveuglette, sans aucune idée réelle du fonctionnement de votre appareil. Un thermomètre d'appareil vous donne une référence quant à la performance de votre appareil et doit être placé 14" (356mm) au-dessus de la buse de l'appareil. Installez le thermomètre selon les instructions du fabricant.

Vous n'arrivez pas à faire partir votre feu?

Utilisez un peu plus de bois d'allumage et de papier. Si la cheminée et le tuyau d'évacuation sont de grandeur appropriée et s'il y a suffisamment d'air comburant, alors le problème est causé par une quantité insuffisante de petits morceaux de bois d'allumage sec. Le bois d'allumage devrait avoir un diamètre équivalent à celui de votre pouce.

Votre appareil n'émet pas assez de chaleur?

Une ou deux causes sont possibles. La porte de l'appareil a été fermée prématurément et l'appareil n'a pas atteint sa température optimale. Ouvrez à nouveau la porte et/ou le contrôle de combustion afin de repartir un feu vif. Du bois humide pourrait être la deuxième cause. Un bois grésillant d'où s'échappe de l'humidité est le symptôme typique.

6.1 MÉTHODE POUR ASSURER UNE COMBUSTION OPTIMALE

Pour une performance et une efficacité optimales quant aux émissions, suivez les directives simples suivantes lors de l'utilisation de votre appareil :

- A.** Maintenez une couche de braises chaudes de 2 po (51 mm).
- B.** Brûlez seulement du bois sec avec moins de 20% d'humidité et veillez à ce que la porte vitrée reste propre.
- C.** Un thermomètre de poêle à bois doit indiquer une température moyenne de 350°F (176°C).
- D.** Lors d'une combustion normale, vous devez maintenir un niveau minimal d'émanations de fumée provenant de la cheminée.
- E.** Inspectez et remplacez tous les composants nécessaires tels que les joints, les collecteurs, la vitre et d'autres composants qui peuvent affecter l'efficacité globale de l'appareil.
- F.** Assurez un tirage adéquat pour contrôler la rapidité de combustion et la température.

Reportez-vous aux sections FONCTIONNEMENT et ENTRETIEN pour plus de détails.

6.2 SOUFFLERIE

! WARNING**RISQUE D'INCENDIE ET DE CHOC ÉLECTRIQUE.**

COUPEZ L'ALIMENTATION ÉLECTRIQUE AVANT DE PROCÉDER À L'ENTRETIEN DE L'APPAREIL. N'UTILISEZ QUE LES ACCESSOIRES OPTIONNELS ET LES PIÈCES DE RECHANGE APPROUVÉS PAR WOLF STEEL POUR CET APPAREIL. L'UTILISATION D'ACCESSOIRES NON LISTÉS (SOUFFLERIE, PORTES, PERSIENNES, MOULURES, ETC.) POURRAIT ÊTRE NON SÉCURITAIRE ET ANNULERA LA GARANTIE ET LA CERTIFICATION.

AFIN DE PRÉVENIR LES CHOCS ÉLECTRIQUES ET LES DOMMAGES CAUSÉS PAR LE FEU, ASSUREZ-VOUS QUE LE CORDON D'ALIMENTATION DE LA SOUFFLERIE N'ENTRE PAS EN CONTACT AVEC QUELCONQUE SURFACE DE L'APPAREIL. NE FAITES PAS PASSER LE CORDON D'ALIMENTATION SOUS L'APPAREIL.

La poussière de gypse pénétrera dans le roulement à billes de la soufflerie causant des dommages irréparables. Vous devez éviter que cette poussière n'entre en contact avec la soufflerie ou son compartiment. Tout dommage causé par ce problème ne sera pas couvert par la garantie. L'utilisation de la soufflerie accroît le débit de chaleur.

L'encastré 1402 est équipé de deux souffleries alors que le modèle 1101 n'en possède qu'une. Ces souffleries sont actionnées par la chaleur. Dépendant de l'intensité du feu, les souffleries se mettront en marche 15-30 minutes après l'allumage. L'interrupteur thermique du 1402 est situé du côté droit de l'appareil tandis que celui du 1101 est situé à l'arrière, sur la porte d'accès de la soufflerie. Lors de l'allumage, l'interrupteur thermique peut être entravé par une grosse bûche ou un feu brûlant inégalement, ce qui aura pour effet de faire démarrer et arrêter la soufflerie de façon répétitive. Pour contrôler ceci, arrangez une combustion égale ou arrêtez les souffleries jusqu'à ce que le côté droit de la chambre de combustion soit chaud.

6.3 CONTRÔLE D'AIR

! AVERTISSEMENT

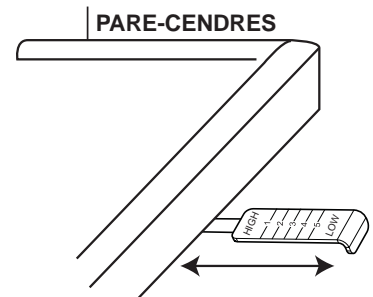
CET APPAREIL AU BOIS POSSÈDE UN TAUX MINIMAL DE COMBUSTION ÉTABLI PAR LE FABRICANT QUI NE DOIT PAS ÊTRE MODIFIÉ. LES RÈGLEMENTS FÉDÉRAUX INTERDISENT EN ÉTATS-UNIS DE MODIFIER CE RÉGLAGE OU D'UTILISER CET APPAREIL DE CHAUFFAGE D'UNE MANIÈRE ALLANT À L'ENCONTRE DES INSTRUCTIONS DE FONCTIONNEMENT CONTENUES DANS CE MANUEL.

Le tirage est la force qui déplace l'air de la chambre de combustion vers le haut, dans la cheminée. La force de tirage de votre cheminée dépend de sa hauteur et de son diamètre, de la géographie locale, des obstructions avoisinantes et d'autres facteurs, incluant la quantité de chaleur émise par le feu qui peut être mesurée à l'aide d'un thermomètre d'appareil.

La température est contrôlée par le contrôle d'air. Le tirage peut être ajusté pour obtenir une combustion lente avec la manette complètement enfoncée et une combustion rapide avec la manette complètement tirée.

Un tirage inadéquat peut causer des refoulements de fumée dans la pièce via l'appareil et les points de raccordement des conduits. Il peut également causer un blocage de la cheminée. Un tirage trop grand provoquera des températures excessives dans l'appareil, des composants de l'appareil ou des conduits de raccordements qui rougeoient ou une combustion incontrôlable qui peut causer un feu de cheminée ou des dommages permanents à l'appareil.

Ne faites pas fonctionner l'appareil pendant plus de 30 minutes avec le contrôle d'air à « HIGH » (complètement ouvert).



6.4 EXTINCTEURS ET DÉTECTEURS DE FUMÉE / MONOXYDE DE CARBONE

Toutes les maisons possédant un appareil à combustible solide devraient posséder au moins un extincteur d'incendie dans un emplacement central connu de tous et au moins un détecteur de fumée et détecteur monoxyde de carbone placé dans la pièce où l'appareil est situé. Si l'alarme se déclenche, corrigez la cause mais ne désactivez pas, ou ne relocalisez pas le détecteur de fumée. Si le détecteur de monoxyde de carbone sonne l'alarme, déplacer immédiatement à une région qui a l'air frais et appeler un votre service d'incendie local.

6.5 COMBUSTIBLE

! AVERTISSEMENT

CET APPAREIL A ÉTÉ CONÇU POUR BRÛLER DU BOIS NATUREL UNIQUEMENT. NE BRÛLEZ PAS DE BOIS TRAITÉS, DE CHARBON DE BOIS, DE CHARBON, DE PAPIERS DE COULEUR, DE CARTONS, DE SOLVANTS NI DE DÉCHETS. CET APPAREIL N'A PAS ÉTÉ TESTÉ AVEC UN ENSEMBLE DE BÛCHES À GAZ NON VENTILÉES. AFIN DE RÉDUIRE LE RISQUE D'INCENDIE OU DE BLESSURE, N'INSTALLEZ PAS D'ENSEMBLE DE BÛCHES À GAZ NON VENTILÉES DANS CET APPAREIL.

VOUS OBTENEZ UNE MEILLEURE EFFICACITÉ ET DES ÉMISSIONS PLUS FAIBLES AVEC DU BOIS DUR SÉCHÉ À L'AIR QU'AVEC DU BOIS RÉSINEUX OU VERT, OU DES BOIS DURS FRAÎCHEMENT COUPÉS.

BRÛLER DU BOIS VERT OU HUMIDE PEUT CAUSER DES ACCUMULATIONS EXCESSIVES DE CRÉOSOTE. LORSQU'ALLUMÉE, ELLE PEUT CAUSER UN FEU DE CHEMINÉE ET UN INCENDIE GRAVE POURRAIT S'ENSUIVRE.

N'ENTREPOSEZ PAS LE BOIS À L'INTÉRIEUR DES DÉGAGEMENTS DE L'APPAREIL OU DANS L'ESPACE REQUIS POUR LE RAVITAILEMENT OU L'ENLÈVEMENT DES CENDRES.

Lorsque vous chargez l'appareil, assurez-vous que les déflecteurs est situé correctement. Pour assurer une efficacité maximale lorsque l'appareil est réchauffé, remplissez-le avec du bois jusqu'au haut de la porte de chargement et brûlez en réglant à feu moyen-bas. Des briques presque entièrement blanches et une vitre presque entièrement propre sont de bons indicateurs que votre appareil fonctionne efficacement. Lorsque vous ne brûlez que quelques bûches, l'appareil ne produira pas assez de chaleur ou le bois ne brûlera pas complètement.

Le combustible pour l'appareil ne doit pas être entreposé à l'intérieur des dégagements minimaux aux matériaux combustibles (matériau sensible à la chaleur). **N'ENTREPOSEZ JAMAIS DE BOIS DANS LE COMPARTIMENT DU TIROIR À CENDRES (s'il y a lieu).**

NOTE : Lorsque vous chargez l'appareil, assurez-vous de garder le combustible éloigné de la vitre. Si des braises s'accumulent sur le rebord avant, elles pourraient tomber hors de l'appareil quand vous ouvrez la porte.

Ne brûlez que du bois propre, non peint et bien sec. Il produit plus de chaleur et moins de suie et de créosote. Le bois fraîchement coupé contient environ 50 % d'humidité tandis qu'une fois séché, il n'en contient que 20 %. Quand le bois brûle, l'eau bout en consommant une partie de l'énergie qui aurait dû produire de la chaleur. Plus le bois est humide, moins il y aura de chaleur et plus il y aura de créosote. Le bois sec a des craquelures dans les extrémités.

Le bois dur brûle aussi bien que le bois résineux dans cet appareil; par contre, le bois dur est plus dense, plus lourd, brûle plus lentement et plus longtemps.

Le bois de chauffage devra être fendu et cordé de telle façon que l'air puisse circuler aisément au travers. Il faudra couvrir la corde de bois au début du printemps pour qu'elle soit prête à être brûlée l'automne suivant.

Coupez le bois de façon à ce qu'il puisse rentrer horizontalement, de l'arrière vers l'avant, dans l'appareil. Ceci facilite le chargement et il y aura moins de risque que le bois roule sur la vitre.

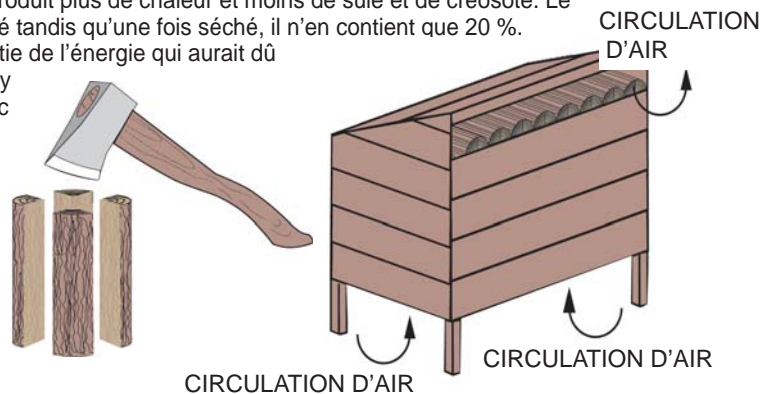
Les bûches artificielles obtenues par la compression de fibre de bois 100 % naturelle peuvent être utilisées sans danger comme combustible. N'utilisez pas des bûches artificielles contenant des additifs comme de la paraffine, de la cire, des liants, etc. Ne brûlez jamais plus de deux bûches artificielles à la fois.

À FAIRE

- Faire un feu chaud.
- Vérifier avec capteur d'humidité que le bois ne contient pas plus de 20 % d'humidité.
- Plusieurs morceaux de dimensions moyennes sont préférables à quelques gros morceaux.
- Nettoyer la cheminée régulièrement.
- Réalimenter fréquemment en utilisant des morceaux de dimension moyenne.
- Bien ajuster le contrôle de combustion pour une performance optimale.

À NE PAS FAIRE

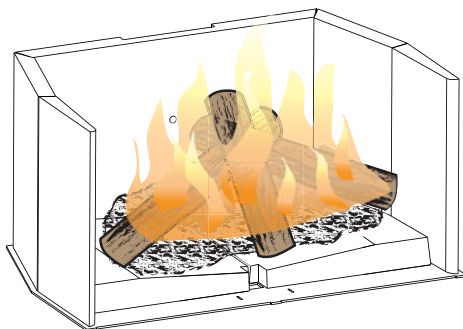
- Retirer les cendres immédiatement. Laissez-les s'accumuler sur une épaisseur d'au moins un pouce. Une bonne couche de cendres favorise une attisée qui brûle mieux et qui dure plus longtemps.
- Brûler du bois humide avec plus de 20% d'humidité.
- Fermer la porte prématurément ou fermer le contrôle de combustion trop rapidement.
- Brûler un gros morceau de bois plutôt que deux ou trois morceaux plus petits, de dimensions plus raisonnables.
- Brûler continuellement à un réglage trop bas. Si la vitre de la porte est constamment noircie, cela signifie que la température de la chambre de combustion est trop basse.



87.1D

6.6 ALLUMER UN FEU

6.6.1 FEU ÉCLAIR



Un feu éclair est un petit feu qui brûle rapidement quand vous n'avez pas besoin de beaucoup de chaleur. Une fois que votre bois d'allumage est bien allumé, chargez trois bûches par-dessus de façon très lâche. Faites brûler avec le contrôle de combustion pleinement ouvert ou légèrement ouverte.

 93.2

6.6.2 FEU CONTINU

Chargez vos bûches de dimension plus grande de façon compacte pour empêcher les flammes de s'infiltrer complètement. Après 30 minutes environ, selon la grosseur de la charge, fermez le contrôle de combustion en vérifiant que le feu ne se soit pas éteint.

NE SURCHAUFFEZ PAS L'APPAREIL!

Une surchauffe peut se produire :

- A. en brûlant de grandes quantités de bois de dimension réduite, tel que des rebuts de bois de meuble, des palettes ou du bois traité;
- B. en brûlant vivement des grandes quantités de bois avec le contrôle de combustion à « HIGH » (entièrement ouvert) pendant de longues périodes (une ou deux heures).
- C. en faisant fonctionner l'appareil lorsque la porte de la chute à cendres est ouverte ou lorsque le joint d'étanchéité de la porte principale est défectueux.

 82.1

6.7 ENFUMAGE

Un appareil installé convenablement ne devrait pas fumer. Si le vôtre fume, vérifiez les points suivants :

- Est-ce que la cheminée a pu se réchauffer suffisamment?
- Est-ce que le passage de la fumée est bloqué soit dans la cheminée, soit dans le conduit de raccordement, soit dans l'appareil?
- Est-ce que la pièce est trop hermétique et que la prise d'air comburant n'est pas raccordée sur l'extérieur? Essayez avec une fenêtre partiellement ouverte.
- Est-ce que le flot de fumée est restreint par un tuyau horizontal trop long ou par un trop grand nombre de coudes?
- S'agit-il d'un tirage faible causé par une cheminée non hermétique, une cheminée extérieure froide, un diamètre de cheminée trop grand, une cheminée trop courte ou trop près des arbres ou d'un toit plus élevé?
- Est la teneur en humidité du bois supérieure à 20%?
- Est-ce que le bypass catalyseur a été fermé ou fermé prématurément?

 83.1A

- Est-ce qu'un raccordement direct à la cheminée a été utilisé plutôt qu'une gaine continue du sommet de la cheminée jusqu'à la buse de l'appareil?

7.0 ENTRETIEN

! AVERTISSEMENT
COUPEZ L'ALIMENTATION ÉLECTRIQUE AVANT DE PROCÉDER À L'ENTRETIEN DE L'APPAREIL.
L'APPAREIL PEUT ÊTRE CHAUD. N'EFFECTUEZ AUCUN ENTRETIEN JUSQU'À CE QUE L'APPAREIL SOIT REFROIDI.
N'UTILISEZ PAS DE NETTOYANTS ABRASIFS.

Afin de prévenir les accumulations de suie et de crésote, vérifiez votre cheminée et le conduit de raccordement toutes les semaines jusqu'à ce qu'une fréquence de nettoyage sécuritaire soit établie. Si les accumulations sont excessives, débranchez l'appareil et nettoyez-le ainsi que la cheminée. Vous pourriez faire appel aux services d'un ramoneur professionnel pour nettoyer l'appareil et la cheminée; ils doivent être nettoyés au moins une fois l'an ou aussi souvent que nécessaire.

Enlevez les déflecteurs en fibre et nettoyez au-dessus une fois par année.
Remplacez les briques brisées.

7.1 ENLÈVEMENT DES CENDRES

! AVERTISSEMENT
L'ÉLIMINATION CORRECTE DES CENDRES CAUSE DES INCENDIES. NE JETEZ PAS LES CENDRES DANS DES BOÎTES EN CARTON, NE LES JETEZ PAS DANS LA COUR ET NE LES ENTREPOSEZ PAS DANS UN GARAGE.
SI VOUS UTILISEZ UN ASPIRATEUR POUR NETTOYER LES CENDRES, ASSUREZ-VOUS QUE CES DERNIÈRES SOIENT ENTIÈREMENT REFROIDIES. L'UTILISATION D'UN ASPIRATEUR POUR NETTOYER LES CENDRES CHAUDES POURRAIT OCCASIONNER UN INCENDIE DANS L'ASPIRATEUR.
NE FAITES JAMAIS FONCTIONNER L'APPAREIL AVEC LE COUVERCLE DE LA GRILLE RETIRÉ (SI APPLICABLE).

Laissez les cendres s'accumuler sur une épaisseur de deux ou trois pouces sur le plancher de la chambre de combustion; elles ont tendance à se consumer. Une fois que le feu s'est éteint et que les cendres se sont refroidies, enlevez toutes les cendres excédentaires, mais laissez une épaisseur d'un 1" (25mm) sur le plancher de la chambre de combustion pour aider à conserver un lit de braises chaudes.

Pelletez les cendres par la porte du poêle dans un contenant de métal possédant un couvercle étanche. Laissez une épaisseur d'un 1" (25mm) sur le plancher de la chambre de combustion pour aider à conserver un lit de braises chaudes. Gardez le contenant fermé sur un plancher ou un sol incombustible, loin de tout matériau combustible. Les cendres devraient rester dans le contenant fermé jusqu'à ce que les braises soient complètement refroidies. Les cendres refroidies peuvent être utilisées dans le jardin ou pour le compostage.

7.2 FORMATION ET ENLÈVEMENT DE LA CRÉOSOTE

Lorsque le bois brûle lentement, il produit du goudron et autres vapeurs organiques qui, se combinant à la vapeur d'eau évacuée, forment la crésote. Ces vapeurs se condensent dans le conduit relativement froid de la cheminée d'un appareil brûlant lentement. Par conséquent, le résidu de crésote accumule sur dans le conduit. Lorsqu'elle prend feu, la crésote produit un feu extrêmement chaud.

Inspectez votre cheminée pour des accumulations de crésote chaque deux mois pendant le saison de chauffage pour déterminer si une accumulation de crésote à former.

Si l'accumulation est excessive nettoyez la cheminée pour réduire une feu du chiminée.

7.3 FEU DE CHEMINÉE OU FEU HORS CONTRÔLE

! AVERTISSEMENT

UN FEU DE CHEMINÉE PEUT ENDOMMAGER VOTRE CHEMINÉE DE FAÇON PERMANENTE. POUR RÉPARER CES DOMMAGES, VOUS DEVREZ REMPLACER LES COMPOSANTS ENDOMMAGÉS. LES FEUX DE CHEMINÉE NE SONT PAS COUVERTS PAR LA GARANTIE À VIE LIMITÉE.

CAUSES:

- L'utilisation d'un combustible inapproprié ou de morceaux de bois trop petits qui, normalement, auraient été utilisés comme bois d'allumage.
- Une accumulation de créosote dans la cheminée

SOLUTIONS:

- Ne brûlez pas de bois traité, peints, artificielles, transformé ou de papiers, de charbon, de charbon de bois, de papier de couleur ou de carton.
- Faites nettoyer la cheminée régulièrement.

EN CAS DE FEU DE CHEMINÉE :

- Ayez un plan d'évacuation bien compris de tous et désignez un lieu de rassemblement à l'extérieur. Préparez-vous à évacuer les lieux pour assurer la sécurité de chacun.
- Fermez la porte vitrée.
- Appelez votre service d'incendie. Ayez un extincteur sous la main. Contactez les autorités locales pour savoir quoi faire en cas de feu de cheminée.
- Après que le feu de cheminée est éteint et avant d'allumer un autre feu, nettoyez et inspectez la cheminée pour des signes de détérioration ou des fissures. Vérifiez également les matériaux combustibles autour de la cheminée et du toit.

85.2C

7.4 NETTOYAGE DE LA CHEMINÉE

La cheminée et l'appareil doivent être inspectés et nettoyés s'il y a lieu au moins une fois l'an. En cas d'utilisation fréquente du chauffage au bois, le nettoyage de la cheminée doit être fait au besoin pour éviter des feux de cheminée. Les systèmes d'évacuation des appareils à combustion contrôlée peuvent nécessiter un nettoyage aussi fréquent qu'une fois par mois. Cependant, cette fréquence dépend des habitudes de chauffage de la personne qui utilise l'appareil. À titre d'exemple, il est possible d'obstruer la cheminée d'un appareil à combustible solide en quelques jours si l'appareil brûle lentement et que la cheminée est froide.

NOTE : Les utilisateurs qui font toujours des feux chauds auront rarement d'importantes accumulations de créosote dans la cheminée.

Lors du nettoyage de la cheminée, certains éléments doivent être considérés :

- Les outils appropriés doivent être utilisés, incluant une brosse spécialement conçue pour le ramonage de la cheminée.
- Les conduits de raccordement, le registre et la cheminée doivent être nettoyés.
- La chambre de combustion et les déflecteurs doivent être nettoyés au besoin.
- La cheminée doit être inspectée et réparée au besoin, de préférence par un ramonneur ou un maçon qualifié.

86.1

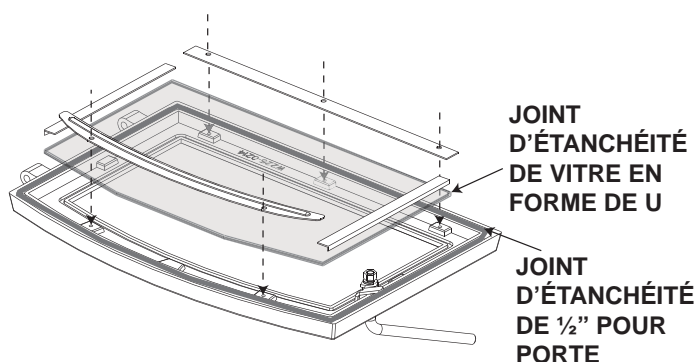
7.5 REMPLACEMENT DE LA VITRE

! AVERTISSEMENT
N'UTILISEZ PAS DE MATÉRIAUX DE SUBSTITUTION.
LA VITRE PEUT ÊTRE CHAUDE, NE TOUCHEZ PAS LA VITRE JUSQU'À CE QU'ELLE AIT REFROIDI.
USEZ DE PRUDENCE LORSQUE VOUS ENLEVEZ ET JETEZ DES DÉBRIS DE VERRE OU DES COMPOSANTS ENDOMMAGÉS. ASSUREZ-VOUS D'ASPIRER TOUS LES DÉBRIS DE VERRE À L'INTÉRIEUR DE L'APPAREIL AVANT DE LE FAIRE FONCTIONNER.
NE FRAPPEZ PAS, NE CLAQUEZ PAS ET N'ÉGRATIGNEZ PAS LA PORTE VITRÉE. NE FAITES PAS FONCTIONNER L'APPAREIL LORSQUE LA PORTE VITRÉE EST ENLEVÉE, FISSURÉE, BRISÉE OU ÉGRATIGNÉE.

FR

56.2

- A. Une fois que l'appareil est refroidi, ouvrez la porte et déposez le cadre de porte en prenant soin de ne pas égratigner la peinture.
- B. Retirez les vis et les supports. Les supports de côté sont retenus par les supports supérieur et inférieur. Enlevez toute la vitre brisée.
- C. Enveloppez les rebords de la nouvelle vitre avec un joint de fibre de verre en forme de U et couvrez 1/4" (6.4 mm) de chaque côté.
- D. Mettez ensuite la vitre en place et réinstallez les quatre supports. Une fois terminé, vous devriez être capable de bouger la vitre légèrement, horizontalement et verticalement.



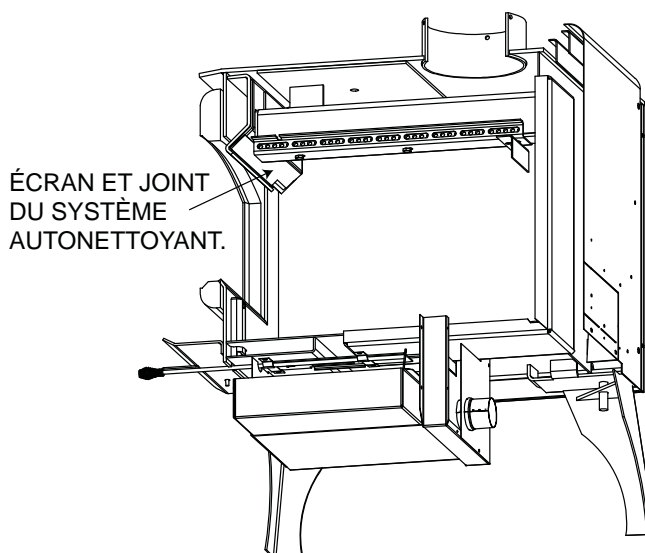
NOTE : Pour les dimensions, l'épaisseur et les spécifications de la vitre de remplacement, voir la section « RECHANGES ».

7.6 REMPLACEMENT DES JOINTS D'ÉTANCHÉITÉ

À la fin de chaque saison de chauffage, vérifiez s'il n'y a pas de gondolage ou de détérioration de l'écran du collecteur et du joint sous le collecteur. Remplacez si nécessaire. Les deux sont fixés au collecteur à l'aide de vis à métal. L'écran et le joint de fibre de 1/8" (3.2mm) sont disponibles chez votre détaillant Wolf Steel Itée. Vérifiez aussi que le joint de la porte n'est pas détérioré ou lâche. Remplacez avec un joint de fibre de verre haute densité de 1/2" (13mm) si nécessaire.

L'écran et le joint du système autonettoyant situés à l'intérieur de l'appareil, au-dessus de la porte devraient être inspectés et remplacés s'ils sont détériorés.

NOTE : Ne faites pas fonctionner l'appareil si l'écran du collecteur, l'écran et le joint du système autonettoyant ou le déflecteur en fibre sont détériorés ou manquants.



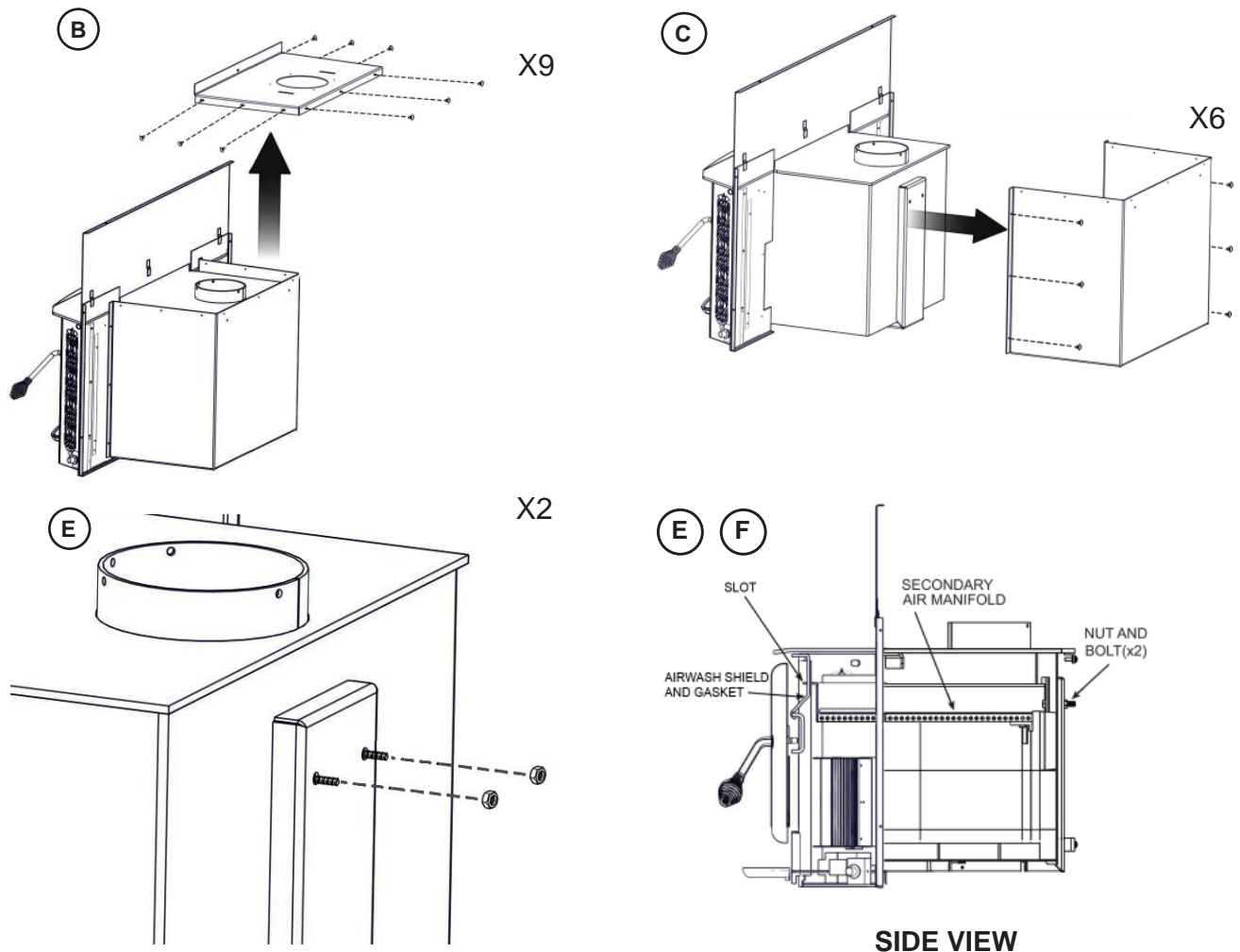
7.7 COLLECTEUR D'AIR SECONDAIRE

À la fin de chaque saison de chauffage, inspectez le tuyau d'air secondaire pour détecter des signes de déformation ou de détérioration. Remplacez-le si nécessaire. À ce moment, vérifiez également que le joint d'étanchéité de la porte n'est pas usé ou desserré. Remplacez-le par une corde de ½ po (12,7mm) en fibre de verre à haute densité si nécessaire. L'écran et le joint du système autonettoyant situés à l'intérieur de l'appareil, au-dessus de la porte devraient être inspectés et remplacés s'ils sont détériorés. Contactez votre revendeur Napoléon pour le type et la taille spécifique des matériaux nécessaires.

NOTE: Ne faites pas fonctionner l'appareil si le collecteur, l'écran du système autonettoyant ou le déflecteur en fibre sont détériorés ou manquants.

Pour enlever le collecteur d'air secondaire suivre ces instructions:

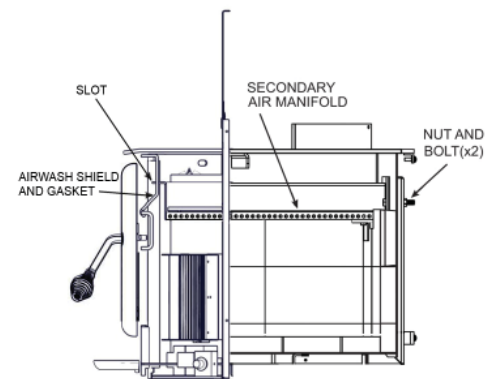
- A. Retirez les vis de fixation des écrans latéraux, faites-les glisser vers l'avant et retirez-les de l'appareil.
- B. Retirez les vis de fixation de l'écran arrière, puis retirez l'écran de l'appareil.
- C. Enlevez les briques arrière, puis retirez le déflecteur.
- D. Retirez les deux écrous et boulons de fixation du collecteur d'air secondaire; référez-vous à l'illustration ci-dessous.
- E. Retirez le collecteur d'air secondaire et joint d'étanchéité.



SIDE VIEW

Pour installer collecteur d'air secondaire suivre ces instructions:

- A. Repérez la fente à l'avant de la chambre de combustion, comme illustré.
- B. Insérez la patte du collecteur d'air secondaire dans la fente mentionnée ci-dessus et faites pivoter le collecteur d'air secondaire en position.
- C. Un nouveau joint DOIT être installé entre le collecteur d'air secondaire et la chambre de combustion.
- D. Insérez un des boulons pour maintenir le collecteur d'air secondaire en place.
- E. En travaillant à l'intérieur de la chambre de combustion, prenez le deuxième boulon et installez-le en position, en serrant légèrement la rondelle et l'écrou.
- F. Retirez le premier boulon et réinstallez-le comme décrit précédemment à l'étape E. Serrez les écrous et les boulons.
- G. Réinstallez les déflecteurs et les briques.
- H. Pour réinstaller les écrans arrière et latéraux, référez-vous aux étapes A et B des instructions sur le retrait.
- I. Réinstallez les briques et déflecteurs.



SIDE VIEW

NOTE: PUSSEZ LE DÉFLECTEUR ENTIÈREMENT VERS L'ARRIÈRE DE LA CHAMBRE DE COMBUSTION, LAISSANT UN ESPACE MINIMAL DE 1 PO (25,4 MM) À L'AVANT. CECI PERMETTRA AUX FUMÉES DE BIEN ÊTRE ÉVACUÉES DE LA CHAMBRE DE COMBUSTION.

7.8 SOINS DE LA VITRE

Si vous ne nettoyez pas les dépôts régulièrement, la vitre risque de rester marquée en permanence. Normalement, un feu très chaud maintiendra la vitre propre. Les raisons les plus fréquentes pour lesquelles la vitre se salit sont : trop peu de combustible est utilisé pour réchauffer suffisamment l'appareil, l'utilisation de bois vert ou humide, le contrôle de combustion est trop fermé, créant une insuffisance d'air pour réaliser une combustion complète. S'il est nécessaire de nettoyer la vitre, utilisez un linge doux avec un nettoyeur sans abrasif.

NE PAS NETTOYER LORSQU'ELLE EST CHAUDE! Nettoyez la vitre avec un nettoyeur recommandé après les dix premières heures de fonctionnement. Par la suite, nettoyez aussi souvent qu'il le faudra.

La vitre est très résistante, mais ne laissez pas de bois en combustion s'appuyer contre elle. Fermez toujours la porte doucement. **NE FORCEZ JAMAIS POUR LA FERMER!**

Si la vitre devait fissurer pendant que le feu brûle, n'ouvrez pas la porte jusqu'à ce que le feu s'éteigne et n'utilisez pas l'appareil jusqu'à ce que la vitre ait été remplacée par une nouvelle, disponible chez votre détaillant autorisé. **N'UTILISEZ PAS DE MATÉRIAUX SUBSTITUÉS.**



5.3

7.9 SOINS DES PIÈCES PLAQUÉES

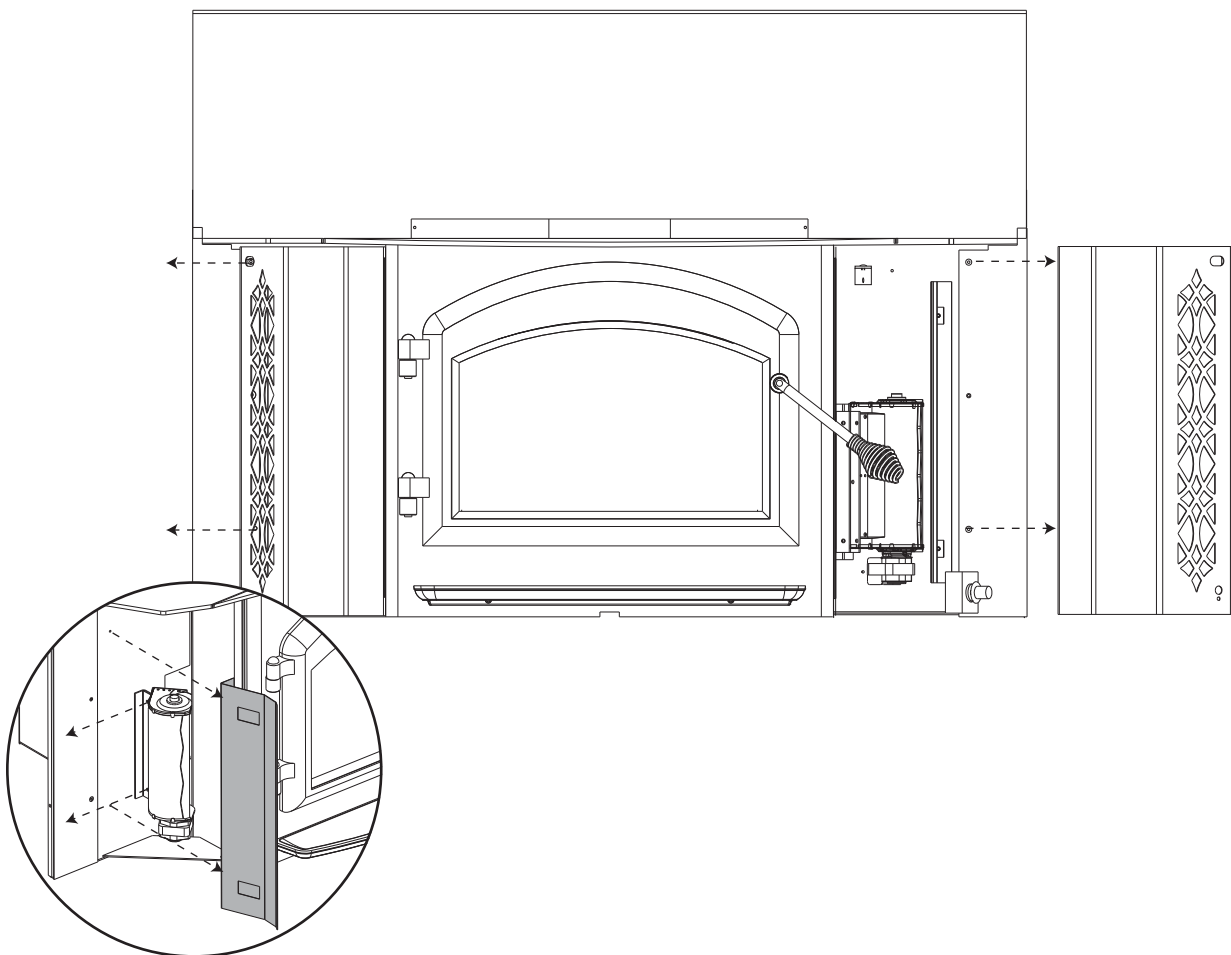
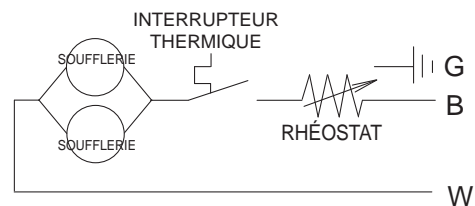
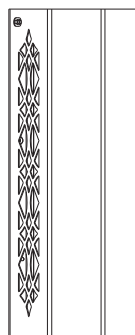
Si l'appareil est muni de pièces plaquées, vous devez enlever toutes traces de doigts ou autres marques des surfaces plaquées avant d'allumer l'appareil pour la première fois. Utilisez un nettoyant à vitres ou du vinaigre et un linge pour nettoyer. Si la surface plaquée n'est pas bien nettoyée avant le premier allumage de l'appareil, elle risque de rester marquée en permanence. Une fois que la surface plaquée aura chauffé, les traces de doigts et le gras n'affecteront plus la surface et très peu d'entretien sera requis; vous n'aurez qu'à l'essuyer au besoin. Une combustion prolongée à haute température avec la porte ouverte peut causer une décoloration des pièces plaquées.

NOTE: L'emballage de protection sur les pièces plaquées s'enlève mieux lorsque l'assemblage est à température ambiante ou lorsqu'il est chauffé avec un séchoir à cheveux ou une autre source de chaleur similaire.

6.1

7.10 ENTRETIEN OU REMPLACEMENT DE LA SOUFFLERIE

- A. Coupez l'alimentation électrique à l'encastré. Enlevez la porte vitrée et mettez-la de côté en un lieu sûr.
- B. Retirez les deux vis du bord extérieur du/ des panneau(x) de côté.
- C. Poussez le panneau de côté vers la porte, puis détachez-le de l'encastré, en dégageant le panneau de la fente en forme de trou de serrure.
- D. Effectuez l'entretien de la/ des soufflerie(s) ou remplacez-la/ les au besoin.
- E. Réinstallez le(s) panneau(x) en suivant la procédure en sens inverse.



8.0 RECHANGES

AVERTISSEMENT

OMETTRE DE POSITIONNER LES PIÈCES CONFORMÉMENT À CE MANUEL OU D'UTILISER UNIQUEMENT DES PIÈCES SPÉCIFIQUEMENT APPROUVÉES POUR CET APPAREIL PEUT CAUSER DES DOMMAGES MATÉRIELS OU DES BLESSURES CORPORELLES.

Contactez votre détaillant pour les questions concernant les prix et la disponibilité des pièces de rechange. Normalement, toutes les pièces peuvent être commandées chez votre détaillant autorisé.

POUR UN REMPLACEMENT DE PIÈCE SOUS GARANTIE, UNE PHOTOCOPIE DE LA FACTURE ORIGINALE SERA REQUISE AFIN DE POUVOIR HONORER LA DEMANDE.

Lorsque vous commandez des pièces, donnez toujours l'information suivante :

- Modèle et numéro de série de l'appareil
- Date d'installation de l'appareil
- Numéro de la pièce
- Description de la pièce
- Fini

PIÈCES, NUMÉRO DES PIÈCES ET S'IL SOIT DISPONIBILITÉ PEUT CHANGER SANS PRÉAVIS.

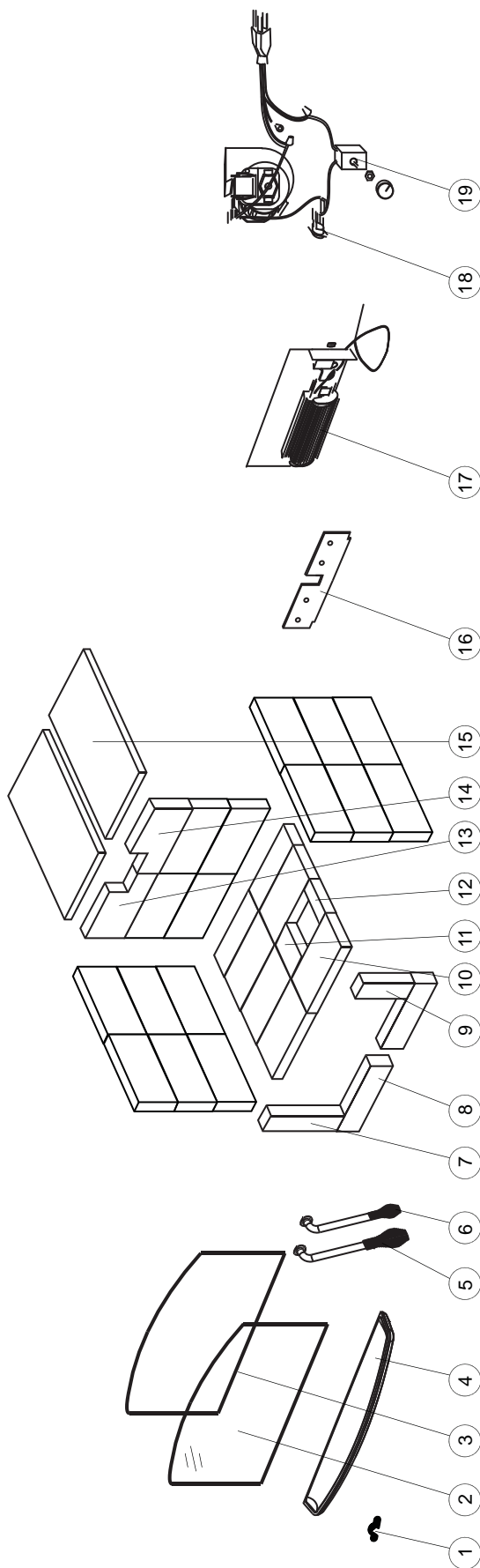
PARTIES IDENTIFIÉES COMME GARNIE SERONT LIVRÉS DANS 2 À 5 JOURS POUR LA PLUPART DES DESTINATIONS DE LIVRAISON.

PIÈCES NON IDENTIFIÉES QUE STOCKÉS SERONT LIVRÉS DANS UN DÉLAI DE 2 À 4 SEMAINES.

41.1B

FR

8.1 VUE D'ENSEMBLE DU EPI-1402

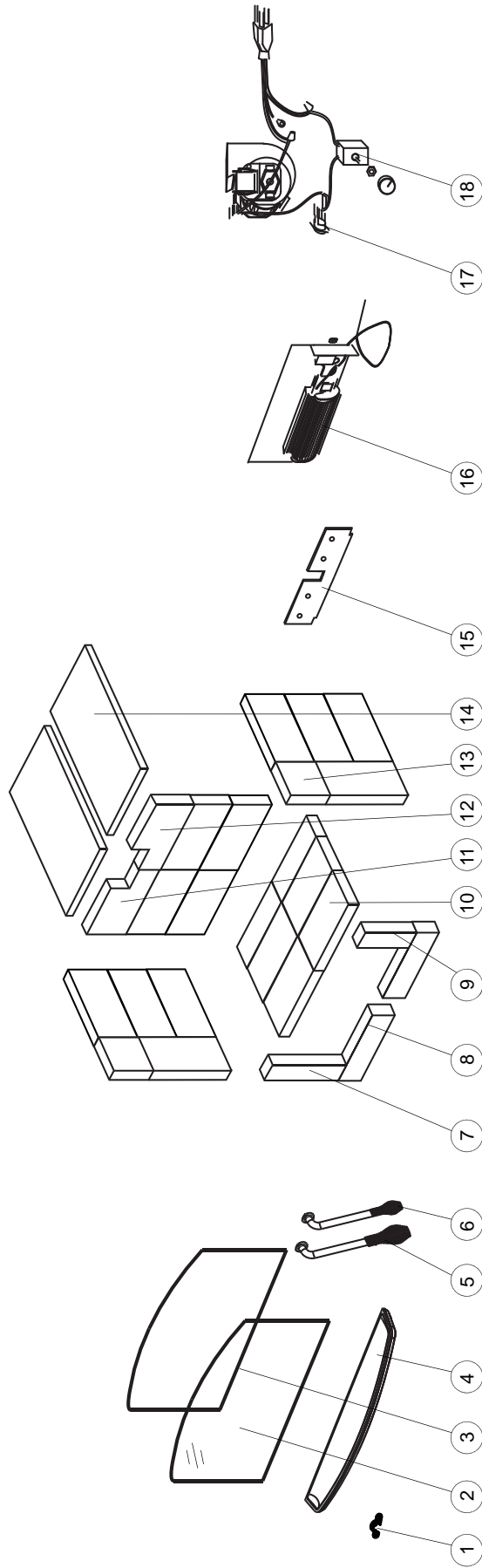


CES ARTICLES PEUT DIFFÉRER DE CELLE ILLUSTRÉ

RÉF.	PART NO.	DESCRIPTION	EN STOCK
1	W385-2010	LOGO NAPOLÉON	YES
2	W010-1071	L'ASSEMBLAGE DU PORTE	
3	W020-0044	JOINT D'ÉTANCHÉITÉ DU PORTE	YES
4	W135-0238-SER	CENDRIER	
5	W325-0042	POIGNÉE DU PORTE (GRANDE)	
6	W325-0043	POIGNÉE DU PORTE (PETITE)	
7	W090-0018	BRIQUE (9" x 1.25" x 2.25")	YES
8	W090-0002	BRIQUE (9" x 1.25" x 3")	YES
9	W090-0019	BRIQUE (6.125" x 1.25" x 1.25")	YES
10	W090-0001	BRIQUE (9" x 1.25" x 4.5")	YES

RÉF.	PART NO.	DESCRIPTION	EN STOCK
11	W090-0016	BRIQUE (4.5" x 1.25" x 2.5")	YES
12	W090-0017	BRIQUE (4.5" x 1.25" x 1.5")	YES
13	W090-0207	BRIQUE DU CÔTÉ GAUCHE (ENCOCHES)	YES
14	W090-0208	BRIQUE DU CÔTÉ DROITE (ENCOCHES)	YES
15	W018-0078	DÉFLECTEUR EN FIBRE (X2)	YES
16	W010-0347	SUPPORT JOINT D'ÉTANCHÉITÉ D'AIR	
17	GZ552	SOUFFLERIE	
18	W690-0002	THERMODISQUE	
19	KB-36	INTERRUPTEUR À VITESSE VARIABLE	

8.2 VUE D'ENSEMBLE DU EPI-1101

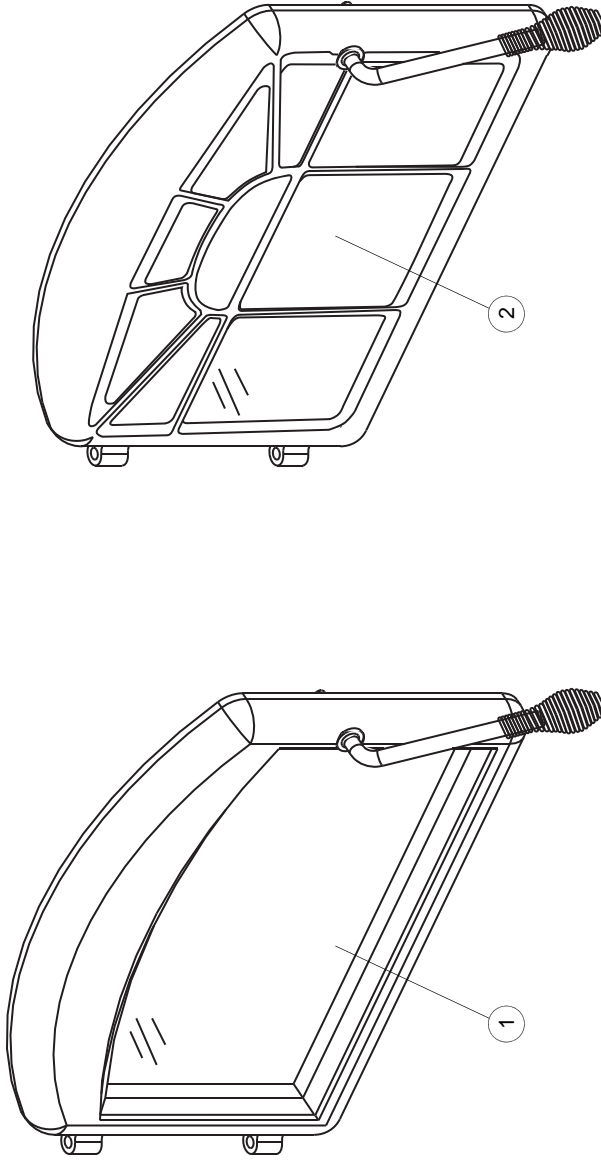


CES ARTICLES PEUT DIFFÉRER DE CELLE ILLUSTRÉ

RÉF.	PART NO.	DESCRIPTION	EN STOCK
1	W385-2010	LOGO NAPOLÉON	OUI
2	W010-1071	ASSEMBLAGE DU PORTE	
3	W020-0044	JOINT D'ÉTANCHÉITÉ DU PORTE	OUI
4	W135-0238-SER	CENDRIER	
5	W325-0042	POIGNÉE DU PORTE (GRANDE)	
6	W325-0043	POIGNÉE DU PORTE (PETITE)	
7	W090-0018	BRIQUE (9" x 1.25" x 2.25")	OUI
8	W090-0002	BRIQUE (9" x 1.25" x 3")	OUI
9	W090-0019	BRIQUE (6.125" x 1.25" x 1.25")	OUI

RÉF.	PART NO.	DESCRIPTION	EN STOCK
10	W090-0001	BRIQUE (9" x 1.25" x 4.5")	OUI
11	W090-0207	BRIQUE DU CÔTÉ GAUCHE (ENCOCHES)	OUI
12	W090-0208	BRIQUE DU CÔTÉ DROITE (ENCOCHES)	OUI
13	W090-0003	BRIQUE (4.5" x 1.25" x 4.5")	OUI
14	W018-0077	DÉFLECTEUR EN FIBRE (X2)	OUI
15	W010-0347	SUPPORT JOINT D'ÉTANCHÉITÉ D'AIR	
16	GZ552	SOUFFLERIE	
17	W690-0002	THERMODISQUE	
18	KB-36	INTERRUPTEUR À VITESSE VARIABLE	

9.0 ACCESSOIRES



CES ARTICLES PEUT DIFFÉRER DE CELLE ILLUSTRÉ

RÉF.	PART NO.	DESCRIPTION	EN STOCK
1	H222	L'ASSEMBLAGE DU PORTE (NOIR)	
1	H222-G	L'ASSEMBLAGE DU PORTE (OR)	
1	H222-SS	L'ASSEMBLAGE DU PORTE (ACIER INOXYDABLE)	
2	H222-GW	L'ASSEMBLAGE DU PORTE (OR)	

10.0 GUIDE DE DÉPANNAGE

AVERTISSEMENT

COUPEZ L'ALIMENTATION ÉLECTRIQUE AVANT DE PROCÉDER À L'ENTRETIEN DE L'APPAREIL.

L'APPAREIL PEUT ÊTRE CHAUD. ATTENDEZ QU'IL SOIT REFROIDI AVANT D'EN FAIRE L'ENTRETIEN.

N'UTILISEZ PAS DE PRODUITS D'ENTRETIEN ABRASIFS.

LORSQUE VOUS VÉRIFIEZ DES CONNEXIONS, QUE VOUS INSTALLEZ DES FILS DE DÉRIVATION (POUR EFFECTUER DES TESTS UNIQUEMENT) OU QUE VOUS REMPLACEZ DES COMPOSANTS, DÉBRANCHEZ L'APPAREIL DU RÉCEPTACLE AFIN D'ÉVITER LES CHOCS ÉLECTRIQUES OU DES DOMMAGES AUX COMPOSANTS.

FR

PROBLÈME	SOLUTIONS
Le feu ne s'allume pas.	<ul style="list-style-type: none"> - Pas assez de bois d'allumage/de papier? Ajoutez-en. - Pas assez d'air? Assurez-vous que le contrôle d'air est complètement ouvert. - Blocage d'air froid? Brûlez un morceau de papier journal pour créer un tirage. - Utilisez du bois bien sec avec de 20% d'humidité. - Conduit obstrué? Inspectez la cheminée.
Présence de fumée lorsque la porte est ouverte.	<ul style="list-style-type: none"> - Blocage d'air froid? Brûlez un morceau de papier journal pour créer un tirage. - Tirage insuffisant? Ajoutez des conduits. - Laissez l'air se stabiliser avant d'ouvrir la porte. - Assurez-vous que les déflecteurs sont bien positionnés. - Pression négative? Ouvrez une fenêtre située près de l'appareil.
Une odeur se dégage de l'appareil.	<ul style="list-style-type: none"> - Cuisson de la peinture. Voir la section « INSTRUCTIONS GÉNÉRALES ».
L'appareil ne devient pas suffisamment chaud.	<ul style="list-style-type: none"> - Le bois a plus de 20% d'humidité. - Tirage insuffisant? Ajoutez des conduits. - Pas assez d'air? Assurez-vous que le contrôle d'air est complètement ouvert. Assurez-vous que le contrôle d'air n'est pas obstruée.
Le bois brûle trop rapidement.	<ul style="list-style-type: none"> - Le contrôle d'air doit possiblement être réduit. - Assurez-vous que le couvercle de la chute à cendres est bien installé (s'il en est muni). - Vérifiez que le joint d'étanchéité de la porte est bien hermétique. - Le bois est peut-être extrêmement sec avec de 20% d'humidité.
Vitre sale.	<ul style="list-style-type: none"> - Le contrôle d'air peut être trop fermé. - Faites des feux plus chauds et plus petits. - Utilisez du bois bien sec.
La soufflerie ne fonctionne pas.	<ul style="list-style-type: none"> - L'appareil n'a peut-être pas atteint sa température. - Assurez-vous que la soufflerie est bien branchée.

42.14C

11.0 GARANTIE

Les produits NAPOLÉON sont fabriqués conformément aux normes strictes du Certificat d'Assurance de Qualité ISO 9001 : 2008 mondialement reconnu.

Les produits NAPOLÉON sont conçus avec des composants et des matériaux de qualité supérieure, assemblés par des artisans qualifiés qui sont fiers de leur travail. Une fois assemblé, chaque appareil est soigneusement inspecté par un technicien qualifié avant d'être emballé pour garantir que vous, le client, recevez le produit de qualité dont vous vous attendez de NAPOLÉON.

GARANTIE À VIE LIMITÉE DU PRÉSIDENT DES APPAREILS À BOIS NAPOLÉON

Les matériaux suivants et la fabrication de votre nouveau poêle à bois NAPOLÉON sont garantis contre les défauts tant que vous en êtes le propriétaire. Ceci couvre : la chambre de combustion, l'échangeur de chaleur, la vitre en céramique (cassure thermique seulement), les pièces plaquées or contre le ternissement, les composants en porcelaine émaillée, les moules d'extrusion en aluminium, déflecteurs vortex, le tiroir à cendres et les pièces moulées en fonte.

Les composants électriques (110V) et les pièces soumises à l'usure sont couverts et NAPOLÉON fournira gratuitement les pièces de rechange durant la première année de la garantie limitée. Ceci couvre: la soufflerie, l'interrupteur thermique, les interrupteurs, l'installation électrique, les briques réfractaires, l'attache du déflecteur en acier inoxydable, tuyaux d'air secondaires et les joints d'étanchéité.

Les coûts de main-d'oeuvre relatifs aux réparations garanties sont couverts gratuitement durant la première année. Cependant, les travaux de réparation nécessitent l'approbation préalable d'un représentant autorisé de la compagnie. Les coûts de main-d'oeuvre à la charge de NAPOLÉON sont basés sur un programme de tarifs prédéterminés et tout travail de réparation doit être accompli par l'entremise d'un détaillant autorisé NAPOLÉON.

Les pièces telles que les briques réfractaires et les déflecteurs devraient être retirées occasionnellement par l'opérateur dans le cadre d'un entretien normal. Par conséquent, les coûts de main-d'oeuvre associés au remplacement de l'une de ces pièces ne sont pas couverts par la garantie.

* La fabrication de chaque modèle varie. La garantie s'applique uniquement aux composants disponibles avec votre appareil.

CONDITIONS ET LIMITATIONS

NAPOLÉON garantit ses produits contre les défauts de fabrication à l'acheteur d'origine seulement. L'enregistrement de la garantie n'est pas nécessaire. Fournissez simplement une preuve d'achat ainsi que le modèle et le numéro de série afin d'effectuer une réclamation de garantie. L'achat doit avoir été fait par l'entremise d'un détaillant NAPOLÉON autorisé et sous réserve des conditions et limitations suivantes :

La couverture de la garantie débute à partir de la date d'installation originale.

Cette garantie du fabricant n'est pas transférable et ne peut être prolongée ou étendue par aucun de nos représentants quelle qu'en soit la raison.

L'appareil à bois doit être installé par un installateur ou un entrepreneur qualifié. L'installation doit être faite conformément aux instructions d'installation incluses avec le produit et à tous les codes d'incendie et de construction locaux et nationaux.

Les produits approuvés par l'EPA, où le carburant incorrect est utilisé, annulera la garantie.

Cette garantie limitée ne couvre pas les dommages causés par un mauvais usage, un manque d'entretien, un accident, des altérations, des abus ou de la négligence, et l'installation de pièces d'autres fabricants annulera cette garantie.

Cette garantie limitée ne couvre pas non plus les égratignures, le bossellement, la corrosion ou la décoloration causée par une chaleur excessive, des produits d'entretien chimiques et abrasifs ou l'écaillage des pièces en porcelaine émaillée, le bris de tout composant de ventilation utilisé dans l'installation de l'appareil.

Au cours de la première année seulement, cette garantie s'étend à la réparation ou au remplacement des pièces garanties dont les matériaux ou la fabrication sont défectueux sous condition que le produit ait été utilisé conformément aux instructions de fonctionnement et dans des conditions normales.

Après la première année, concernant cette Garantie à Vie Limitée du Président, NAPOLÉON peut, à sa discrétion, se libérer entièrement de toutes obligations en ce qui concerne cette garantie en remboursant à l'acheteur d'origine le prix de gros de toute pièce garantie qui est défectueuse.

Après la première année, NAPOLÉON ne sera pas responsable de l'installation, de la main-d'oeuvre ou autres coûts ou dépenses relatives à la réinstallation d'une pièce garantie et de telles dépenses ne sont pas couvertes par cette garantie.

Nonobstant toutes les dispositions contenues dans cette Garantie à Vie Limitée du Président, la responsabilité de NAPOLÉON sous cette garantie est définie comme ci-dessus et elle ne s'étendra à aucun dommage accidentel consécutif ou indirect.

Cette garantie définit l'obligation et la responsabilité de NAPOLÉON en ce qui concerne l'appareil à bois NAPOLÉON. Toute autre garantie énoncée ou implicite en ce qui concerne ce produit, ses composants ou accessoires est exclue.

NAPOLÉON n'endosse ni n'autorise aucun tiers à assumer en son nom toute autre responsabilité concernant la vente de ce produit. NAPOLÉON ne sera pas responsable d'une surchauffe, des refoulements, des déversements causés par des conditions environnementales telles que des toits, des bâtiments, la proximité d'arbres, de collines, de montagnes, une ventilation ou des événements inadéquats, des configurations d'évacuation excessives, un apport d'air insuffisant ou des pressions négatives qui peuvent ou non être causés par des systèmes mécaniques tels que les ventilateurs d'évacuation, les fournaies, les sèche-linge, etc.

Tout dommage causé à l'appareil, à la chambre de combustion, à l'échangeur de chaleur, aux garnitures plaquées ou autres composants par l'eau, les dommages causés par les intempéries, de longues périodes d'humidité, la condensation, des produits chimiques ou produits d'entretien nuisibles ne seront pas la responsabilité de NAPOLÉON.

NAPOLÉON se réserve le droit de demander à son représentant d'inspecter tout produit ou pièce avant d'honorer toute réclamation.

Toutes les pièces remplacées en vertu de la politique de Garantie à vie limitée du Président ne peuvent faire l'objet que d'une seule réclamation.

Durant les dix premières années, NAPOLÉON remplacera ou réparera les pièces défectueuses qui sont couvertes par la garantie à vie limitée à sa discrétion gratuitement. Après les dix premières années, NAPOLÉON fournira les pièces de rechange à 50 % du prix de détail courant.

Toutes les pièces remplacées au titre de la garantie seront couvertes pour une période de 90 jours à partir de leur date d'installation.

Le fabricant peut exiger que les pièces défectueuses ou les produits soient retournés ou que des photos numériques soient fournies pour valider la réclamation. Les produits retournés doivent être expédiés port payé au fabricant pour une inspection en usine. Si un produit est déclaré défectueux, le fabricant le réparera ou le remplacera.

Avant d'expédier votre appareil ou les pièces défectueuses, votre détaillant doit obtenir un numéro d'autorisation. Toute marchandise expédiée à notre usine sans autorisation sera refusée et retournée à l'expéditeur.

Les coûts d'expédition ne sont pas couverts par cette garantie.

Des frais de service supplémentaires peuvent être appliqués si vous cherchez à obtenir des services au titre de la garantie auprès d'un détaillant.

Les indemnités de main-d'oeuvre au titre de la garantie s'appliquent uniquement pour le remplacement d'une pièce garantie. Les frais de déplacement, de tests de diagnostic, d'expédition et autres frais afférents ne sont pas couverts par cette garantie.

TOUTES LES SPÉCIFICATIONS ET LES CONCEPTIONS SONT SUJETTES À MODIFICATIONS SANS PRÉAVIS EN RAISON DES AMÉLIORATIONS CONSTANTES APPORTÉES AU PRODUIT. NAPOLÉON EST UNE MARQUE DE COMMERCE DÉPOSÉE DE WOLF STEEL LTÉE.

Autres produits Napoleon®



Foyers encastrés • Grils au charbon de bois • Foyers au gaz • Cascades d'eau
Poêles à bois • Produits HVAC • Foyers électriques • Foyers extérieurs • Grils à gaz de qualité



7200, Route Transcanadienne, Montréal, Québec H4T 1A3
24 Napoleon Road, Barrie, Ontario, Canada L4M 0G8
214 Bayview Drive, Barrie, Ontario, Canada L4N 4Y8
103 Miller Drive, Crittenden, Kentucky, USA 41030

Foyers / Chauffage et Climatisation / Grils composez : 514-737-6294
napoleonproducts.com