

WOODLAND

# TURN MESS INTO IMPRESS

**NEW WOODLAND™ 18**

**ELECTRIC LOG SET - 3RD IN THE WOODLAND™ SERIES**



[napoleonfireplaces.com](http://napoleonfireplaces.com)



# Woodland™ 18

Napoleon's Woodland™ 18 Electric Log Set is the perfect solution to filling in an old pre-existing masonry fireplace opening. Create the coziness and ambiance of a real fire without any of the mess. This hand painted Electric Log Set is as easy as plug and play for an instant update to your room. The Woodland™ 18 comes with an included remote allowing you master control over flame height, intensity, heat and even the ember bed lighting.

## Product Features

- 5,000 BTU's and 1,500 Watts
- Five piece hand painted resin log set
- Easy to place into any existing fireplace
- High intensity LED lights provide an alluring flame show as well as realistic burning logs and glowing ember bed
- Flames are projected onto a nearby surface behind the log set
- Multi function remote allows you to turn the unit on and off, adjust the flame and heat output, turn the ember log light on and off, choose from 6 temperature settings and set a timer
- Can be plugged in or hardwired 120V



Woodland™ 18



**Electric fireplace**  
A division of  
Napoleon Hearth  
products



**Adjustable temperature**  
adjust the heat being  
produced by choosing a  
temperature



**Safe to touch**  
Never hot enough  
to burn



**Plug-in**  
simply plug in and  
your fireplace is ready



**ULTRA BRIGHT™  
LED lights**  
provide day or  
night intensity



**Hard wire capable**  
Can be hard wired into  
existing home wiring



**Eco-friendly**  
zone heating  
provides economical  
heating solutions



**Multi-function remote**  
controls on/off, adjusts flame,  
heat output, ember bed light  
on/off and timer

LOW ENERGY  
**LED**  
HIGH INTENSITY





Avoid expensive installations, costly heating fuels and the mess from a wood burning fireplace with the Woodland™ 18 Electric Log Set. An instant facelift to your room while maintaining an economical stance with low energy LED lights.

## Features / Options / Accessories



**Hand Painted Log Set**  
With patented reflective paint



**Customizeable Glow**



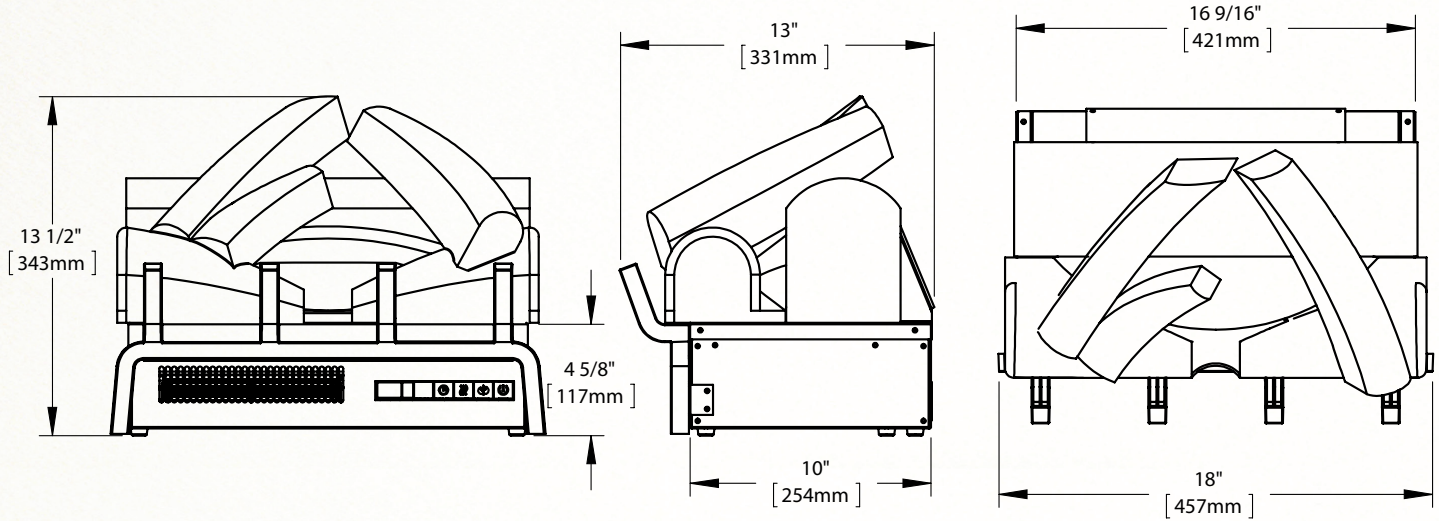
**Remote Control**



# Specifications

Name	Product Code	BTU's (Input)	Watts	Voltage	Amps	Height	Front Width	Depth
Woodland® 18	NEF118H	5,000	1,500	120V AC	15	13 1/2"	18"	13"

Certified under Canadian and American National Standards  
 Figures may vary with individual conditions such as floor plan layout, insulation value/heat loss of the house and geographical location.



Authorized Dealer



24 Napoleon Road, Barrie, Ontario, Canada L4M 0G8  
 103 Miller Drive, Crittenden, Kentucky, USA 41030  
 7200 Trans Canada Highway, Montreal, Quebec, Canada H4T 1A3

Tel: 705-721-1212 Fax: 705-722-6031  
[napoleonfireplaces.com](http://napoleonfireplaces.com)



Consult your owner's manual for complete installation instructions, accurate framing dimensions and proper clearances to combustible material. Check all local and national building codes. All specifications are subject to change without prior notice due to on-going product improvements. Products may not be exactly as shown. Napoleon is a registered trademark of Wolf Steel Ltd. © Wolf Steel inc.

Printed in Canada  
 10/2016