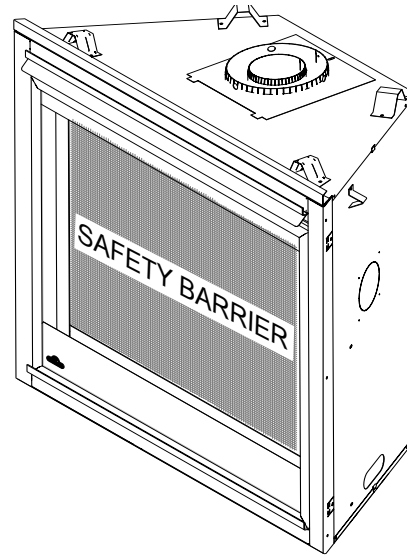


PVA-ASCENT POWER VENT ADAPTOR KIT INSTALLATION INSTRUCTIONS (4/7" ASCENT SERIES)

**INSTALLER: LEAVE THESE INSTRUCTIONS WITH THE APPLIANCE.
THESE INSTRUCTIONS ARE TO BE USED IN CONJUNCTIONS WITH THOSE FOR THE GPV AND THE APPLIANCE.
THIS INFORMATION SUPERSEDES THAT IN THE APPLIANCE INSTALLATION INSTRUCTIONS.
CONSUMER: RETAIN THESE INSTRUCTIONS FOR FUTURE REFERENCE.**

Included in this kit:	
W750-0127	Wire, 14" (355.6mm) jumper
W750-0285	Wire harness, unit (Electrical Box)
W750-0291	Wire, Switch
W500-0673	4" Restrictor Plate

NOTE: If you have a circulation blower installed, you will need to have additional power installed for the operation of the power vent system.



TERMINAL INSTALLATION

REFER TO GPV INSTALLATION INSTRUCTIONS.

WIRING DIAGRAM AND INSTALLATION

REFER TO GPV INSTALLATION INSTRUCTIONS SECTIONS "SIT 880/886 NOVA FOR USE WITH SINGLE POLE SWITCH, COMPLETE WITH GPV POWER VENT TERMINAL" OR "SIT 820 NOVA MILLIVOLT FOR USE WITH SINGLE POLE SWITCH, COMPLETE WITH GPV POWER VENT TERMINAL."

VENTING INSTALLATION

USE ONLY WOLF STEEL APPROVED VENTING COMPONENTS.

REFER TO THE APPLIANCE INSTALLATION INSTRUCTIONS FOR ASSEMBLY AND CLEARANCE REQUIREMENTS.

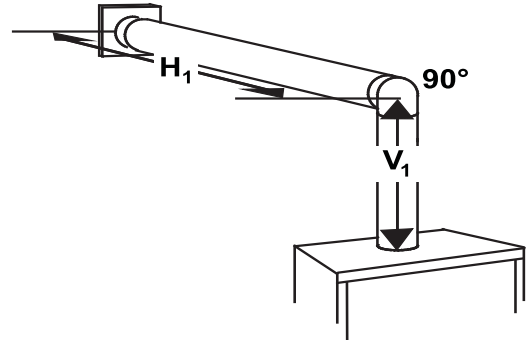
VENTING LENGTHS

When installing the venting, these parameters supersede the "Vent Installation Section" in the appliance's "Installation and Operating Instructions," as well as the following guidelines:

All venting configurations apply to both top and rear vented units.
Maximum vent run is 60 feet (18.3m) total.

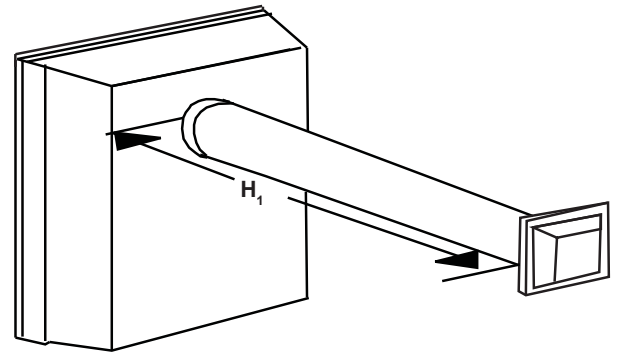
SIMPLE TOP VENT

MAX H+V	MIN H+V	MAX ELBOWS
60 FEET (18.3M)	10 FEET (3.1M)	SIX 90°



SIMPLE REAR VENT

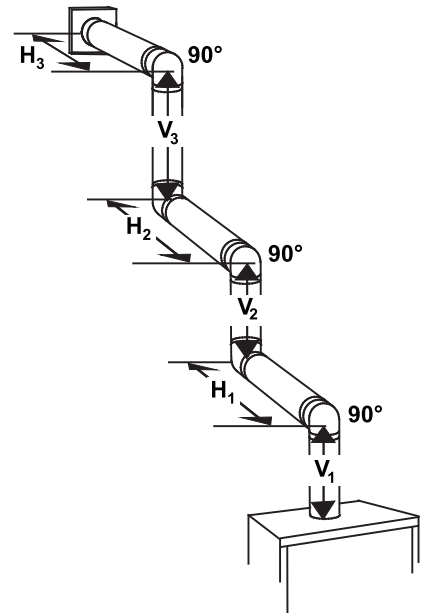
MAX H	MIN H
60 FEET (18.3M)	10 FEET (3.1M)



MULTI ELBOW

Multi-elbow installations are possible up to a maximum of six 90°.

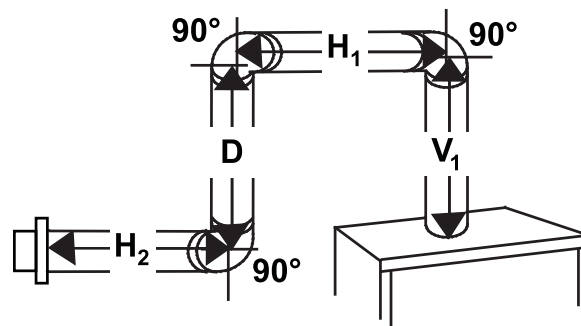
MAX V1+V2+V3+ H1+H2+H3	MIN V1+V2+V3+ H1+H2+H3	MAX ELBOWS
60 FEET (18.3M)	10 FEET (3.1M)	SIX 90°



DOWNWARD VERTICAL VENTING

Downward venting installations are only allowed when the appliance is set to Intermittent Pilot Ignition (I.P.I.) Electronic Ignition (E.I.). **If an anti-condensation switch is being used, downward vertical venting is not allowed.**

MAX H1+H2+V	MIN H1+H2+V	MAX D	MAX ELBOWS
60 FEET (18.3m)	10 FEET (3.1M)	8 FEET (2.4M)	SIX 90°



RESTRICTOR PLATE INSTALLATION

Depending on the model and/or year of your appliance, mounting holes may not exist.

- If mounting holes exist, remove the screws from the firebox top, align the restrictor plate as illustrated and secure.
- If mounting holes do not exist, align the restrictor plate as illustrated and secure using the two #8x1/2 hex head sheet metal screws supplied.
- Ensure the plate will pivot at the slot up into the exhaust outlet.
- Depending on the amount of restriction desired, the restrictor plate can be left flat for most restriction or bent up for varying degrees of restriction.

