

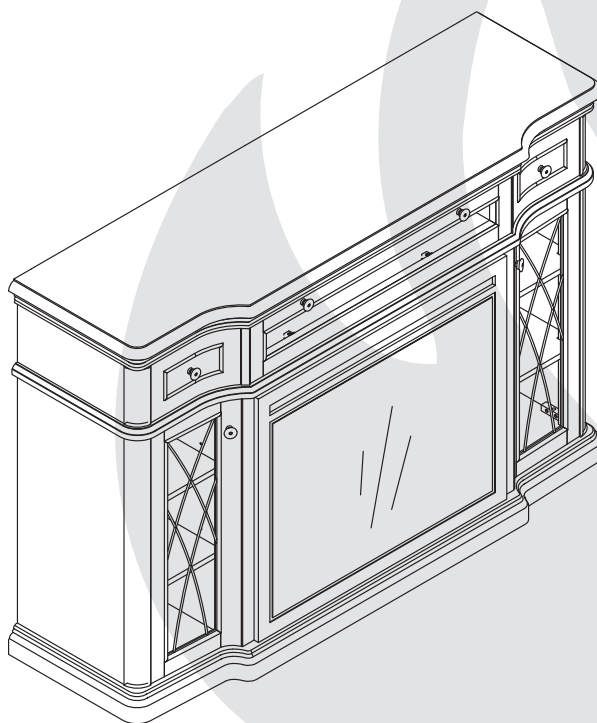
**INSTALLER: LEAVE THIS MANUAL WITH THE APPLIANCE.
CONSUMER: RETAIN THIS MANUAL FOR FUTURE REFERENCE.
NEVER LEAVE CHILDREN OR OTHER AT RISK INDIVIDUALS ALONE WITH THE APPLIANCE.**



INSTALLATION AND OPERATING INSTRUCTIONS

CERTIFIED UNDER CANADIAN AND AMERICAN NATIONAL STANDARDS: CSA C22.2 No-46 / UL 2021

NEFE33-0614AM-1 ELECTRIC FIREPLACE MANTEL



SAFETY INFORMATION



If the information in these instructions are not followed exactly, a fire or explosion may result causing property damage, personal injury or loss of life.

- Do not store or use gasoline or other flammable vapors and liquids in the vicinity of this or any other appliance.



Wolf Steel Ltd., 24 Napoleon Rd., Barrie, ON, L4M 0G8 Canada /
103 Miller Drive, Crittenden, Kentucky, USA, 41030

Phone (705)721-1212 • Fax (705)722-6031 • www.napoleonfireplaces.com • hearth@napoleonproducts.com

\$10.00

1.45A

W415-1559 / A / 11.19.15

EN

FR
PG
17

TABLE OF CONTENTS

1.0	GENERAL INFORMATION	2
2.0	OVERVIEW	2
2.1	MANTEL	2
2.2	HARDWARE KIT (W370-0061)	3
2.3	LED LIGHT KIT (W370-0062)	3
3.0	ASSEMBLY	4
3.1	APPLIANCE INSTALLATION	11
3.2	ANCHORING THE MANTEL	12
3.3	CARE AND MAINTENANCE	12
4.0	WARRANTY	13
5.0	NOTES	14
6.0	NOTES	15

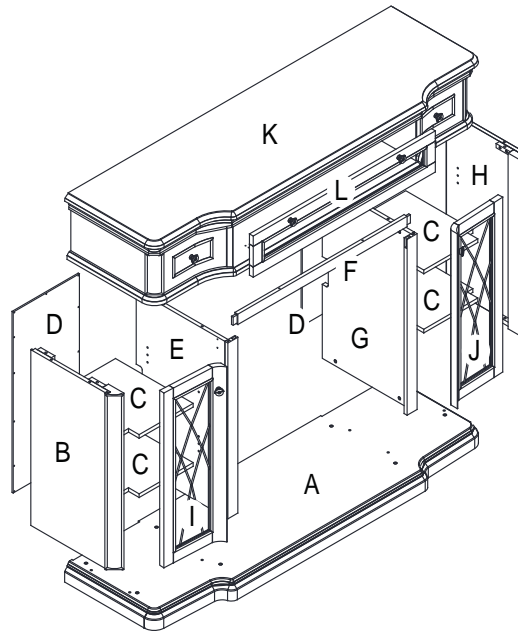
NOTE: Changes, other than editorial, are denoted by a vertical line in the margin.

1.0 GENERAL INFORMATION

This mantel assembly is approved for use with electric appliances only. It is not approved for use as a stand alone product or in conjunction with any other appliance.

2.0 OVERVIEW

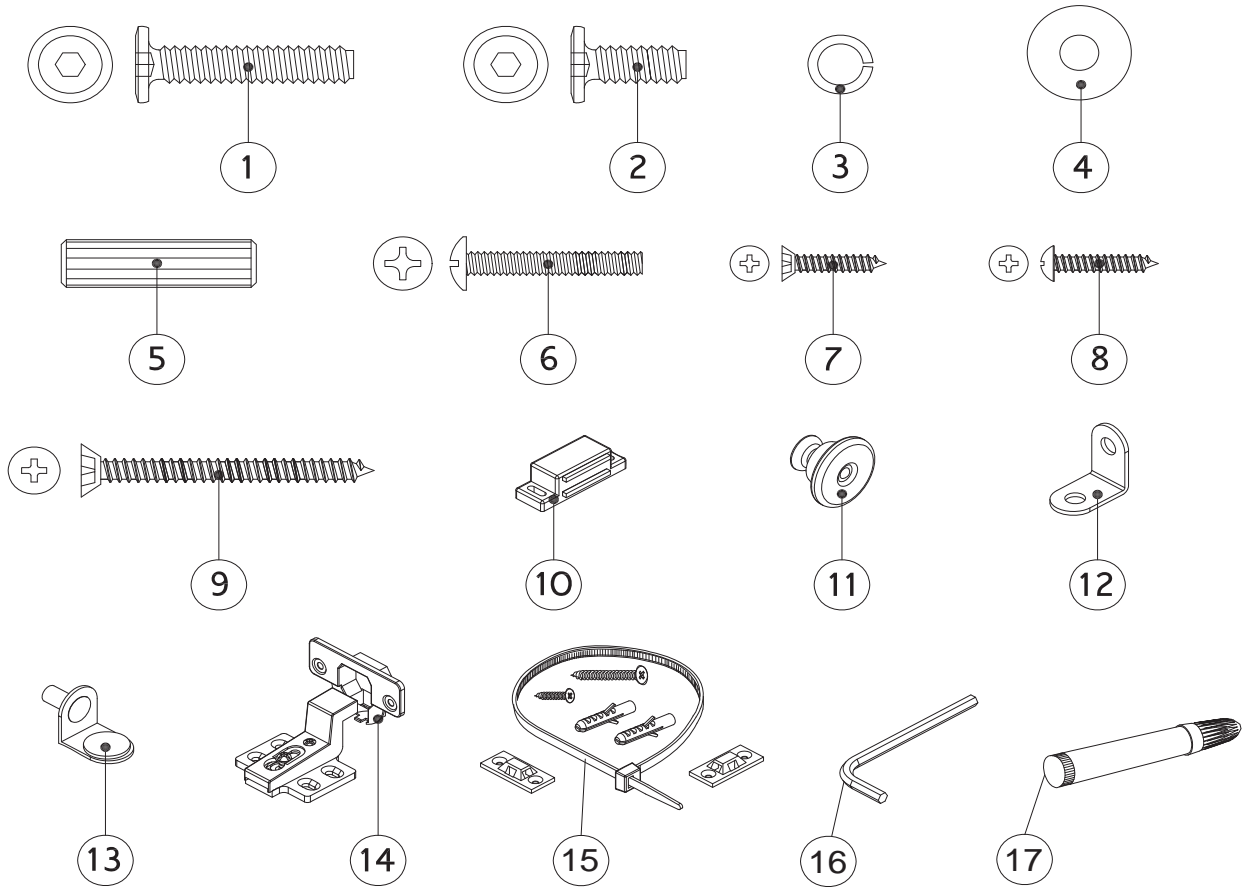
2.1 MANTEL



PART	PART #	DESCRIPTION	QUANTITY	PART	PART #	DESCRIPTION	QUANTITY
A	W035-0416	BASE	1	H	W475-1213	RIGHT SIDE PANEL	1
B	W475-1208	LEFT SIDE PANEL	1	I	W225-0368	LEFT DOOR	1
C	W590-0055	SHELF	4	J	W225-0369	RIGHT DOOR	1
D	W475-1209	BACK PANEL	2	K	W705-0387	TOP	1
E	W475-1210	LEFT INTERIOR PANEL	1	L	W225-0371	MIDDLE DOOR	1
F	W475-1211	UPPER FACING PANEL	1	M	W370-0061	HARDWARE KIT	1
G	W475-1212	RIGHT INTERIOR PANEL	11	N	W370-0062	LED LIGHT KIT *	1

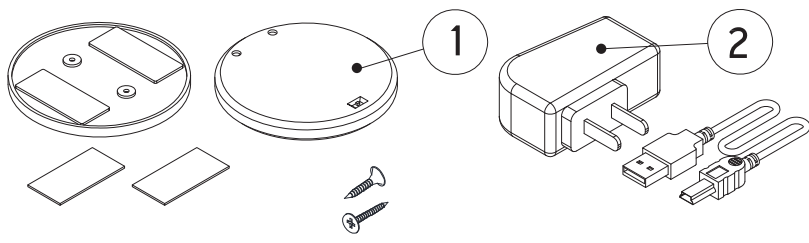
* 3 LED LIGHTS ARE INCLUDED WITH THE MANTEL

2.2 HARDWARE KIT (W370-0061)



REF.NO	DESCRIPTION	QUANTITY	REF.NO	DESCRIPTION	QUANTITY
1	BOLT (6.35mm x 32mm)	8	10	MAGNETIC TOUCH	2
2	BOLT (6.35mm x 15mm)	16	11	KNOB	4
3	SPRING WASHER	24	12	CORNER BRACKET	8
4	FLAT WASHER	24	13	SHELF PIN	16
5	WOOD DOWEL (8mm x 30mm)	16	14	DOOR HINGE	6
6	PAN HEAD BOLT (4mm x 27mm)	4	15	ANCHOR KIT	3
7	FLAT HEAD SCREW (3.5mm x 16mm)	36	16	ALLEN KEY	1
8	PAN HEAD SCREW (3mm x 16mm)	32	17	TOUCH-UP PEN	1
9	FLAT HEAD SCREW (4mm x 45mm)	2	18		

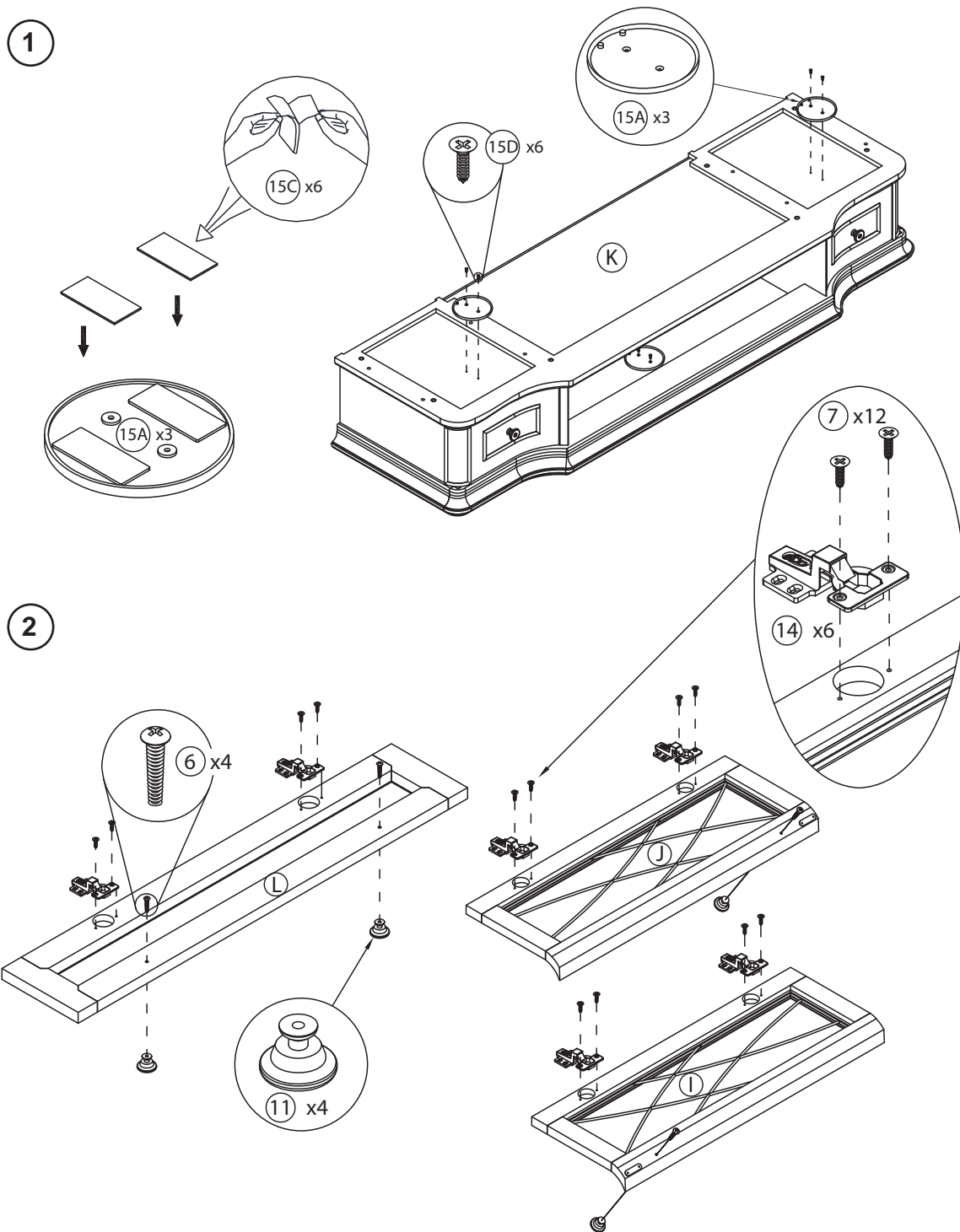
2.3 LED LIGHT KIT (W370-0062)



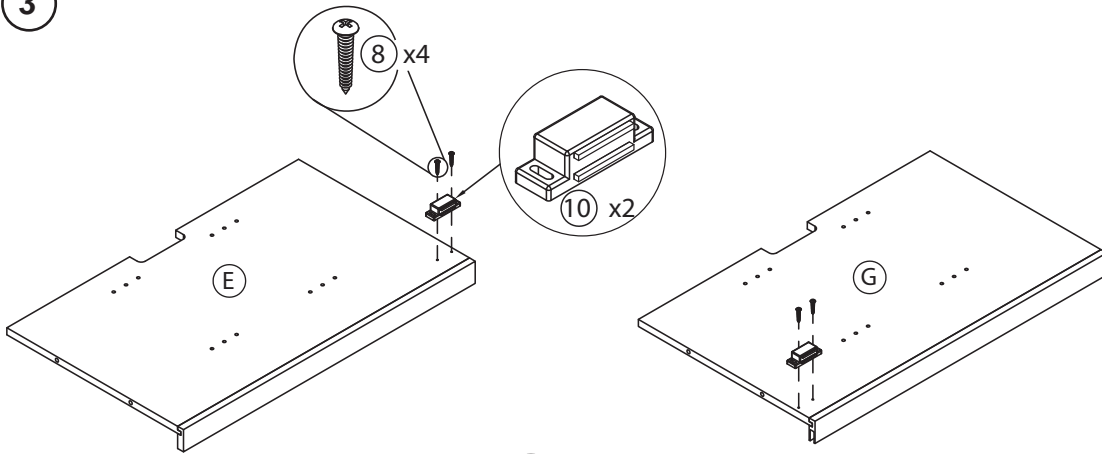
REF.NO	DESCRIPTION	QUANTITY
1	LED LIGHT	1
2	USB CHARGER & ADAPTOR	1

3.0 ASSEMBLY

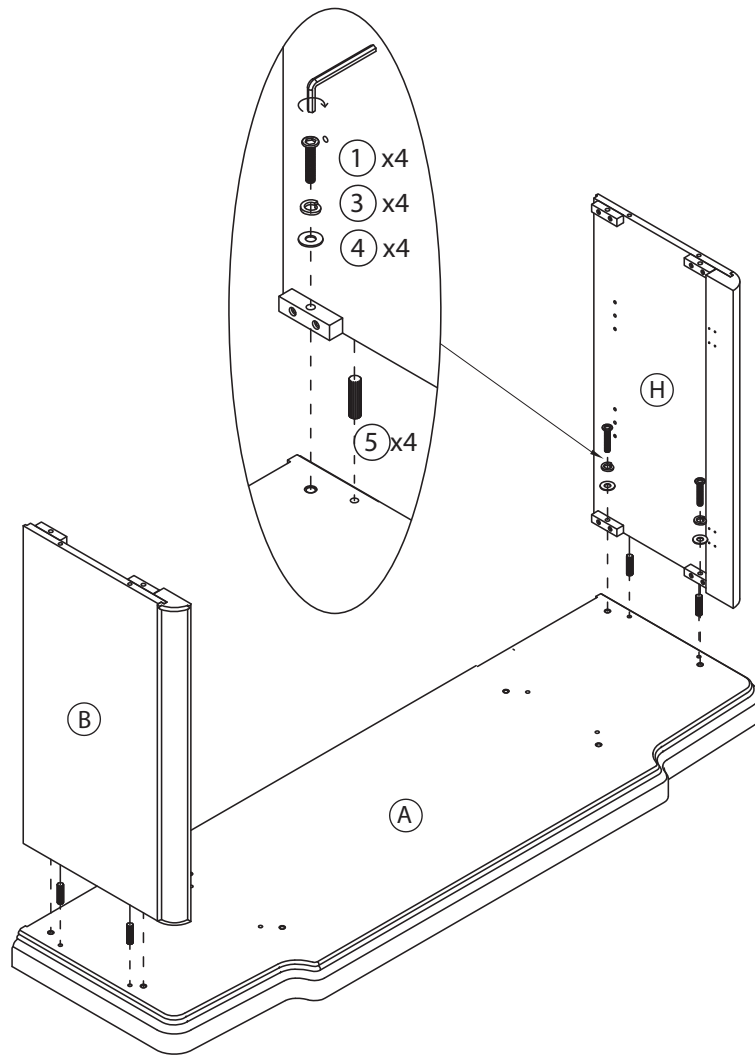
NOTE: Install mantel on a level surface. Loosely secure bolts until Step 8, then tighten. This ensures the mantel is straight and level.



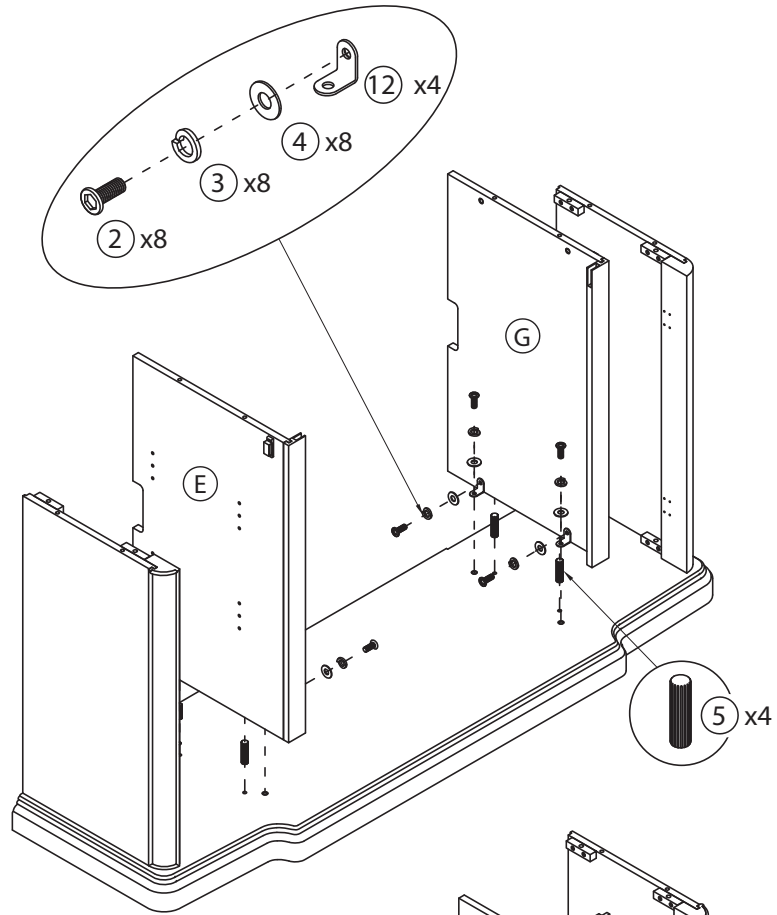
3



4

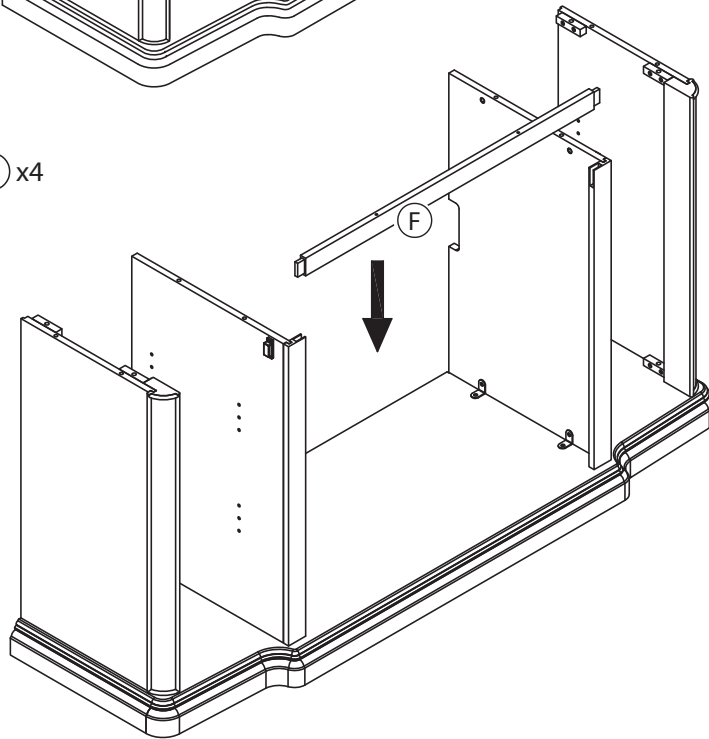


5

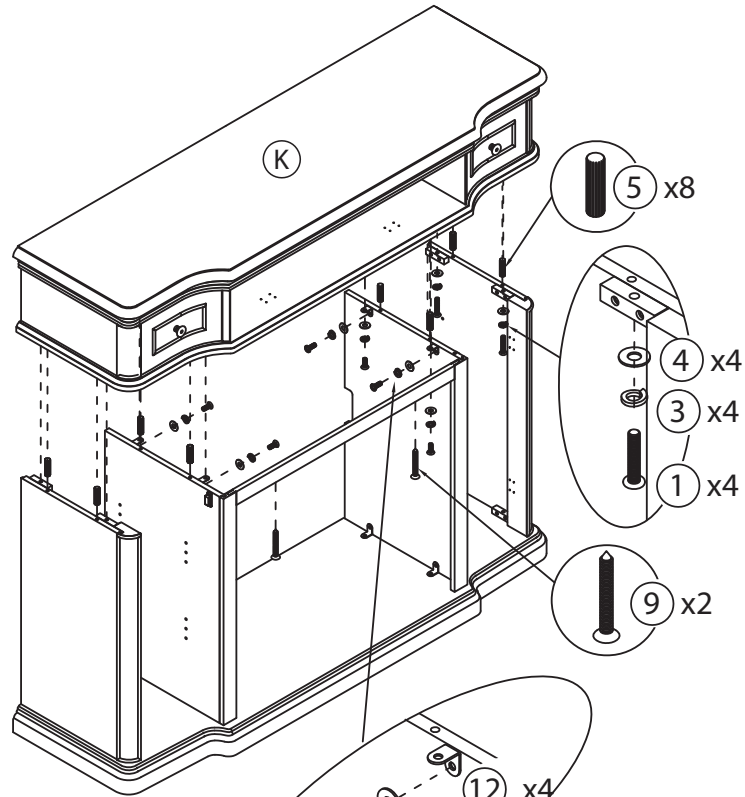


6

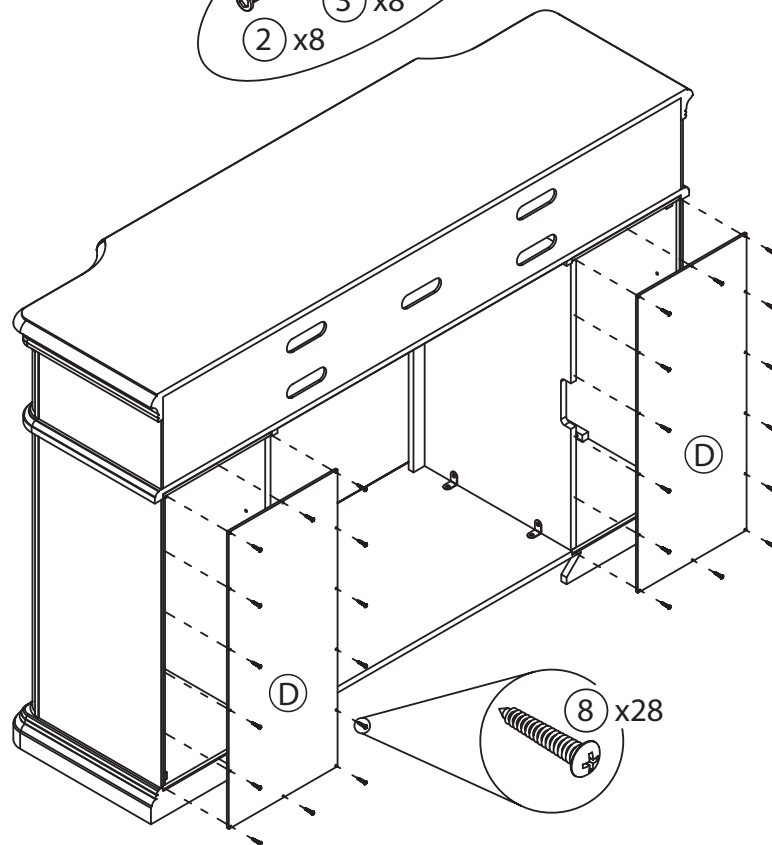
6 x4



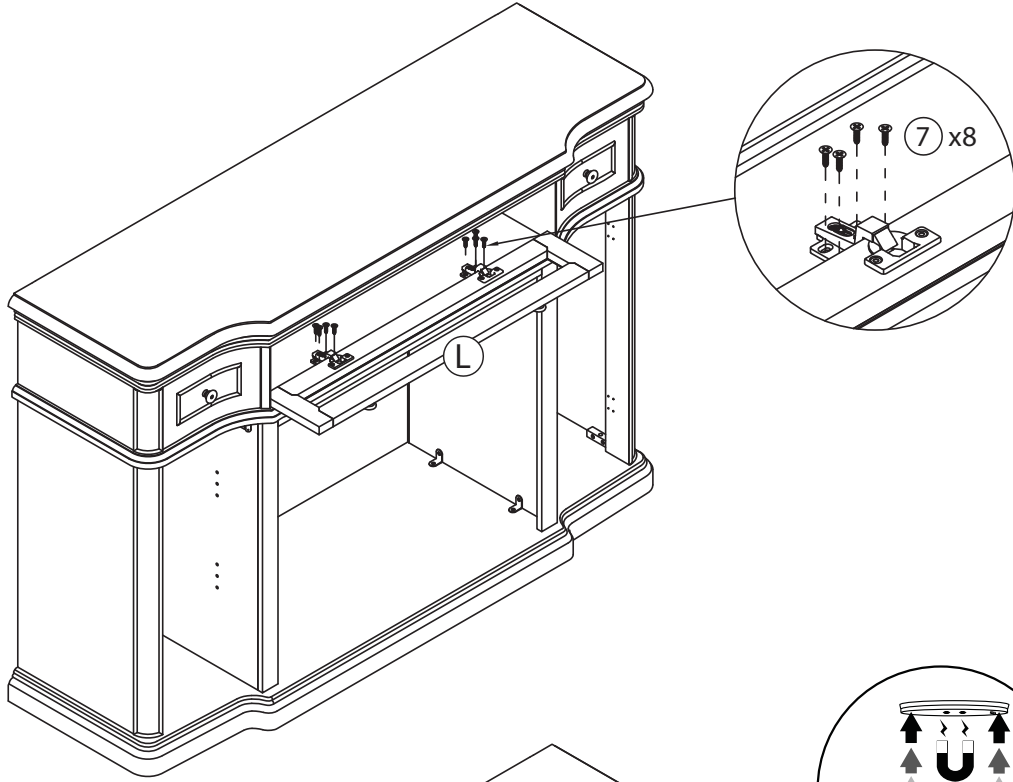
7



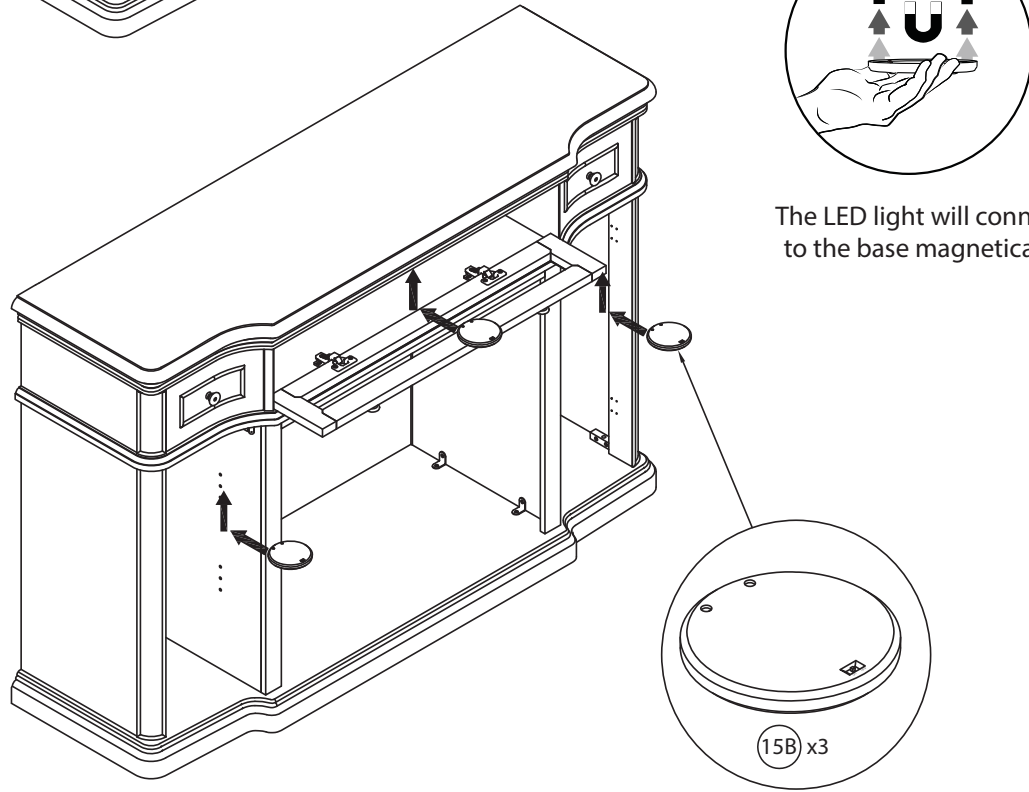
8



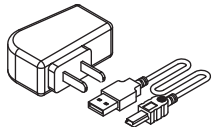
9



10

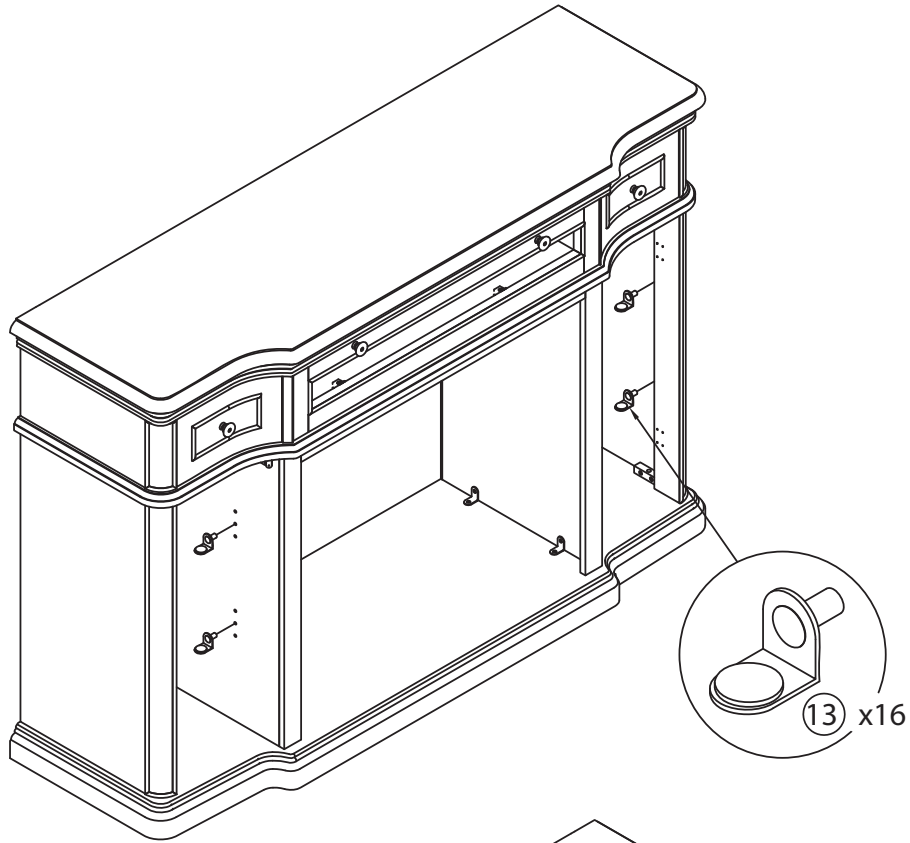


The LED light will connect to the base magnetically.

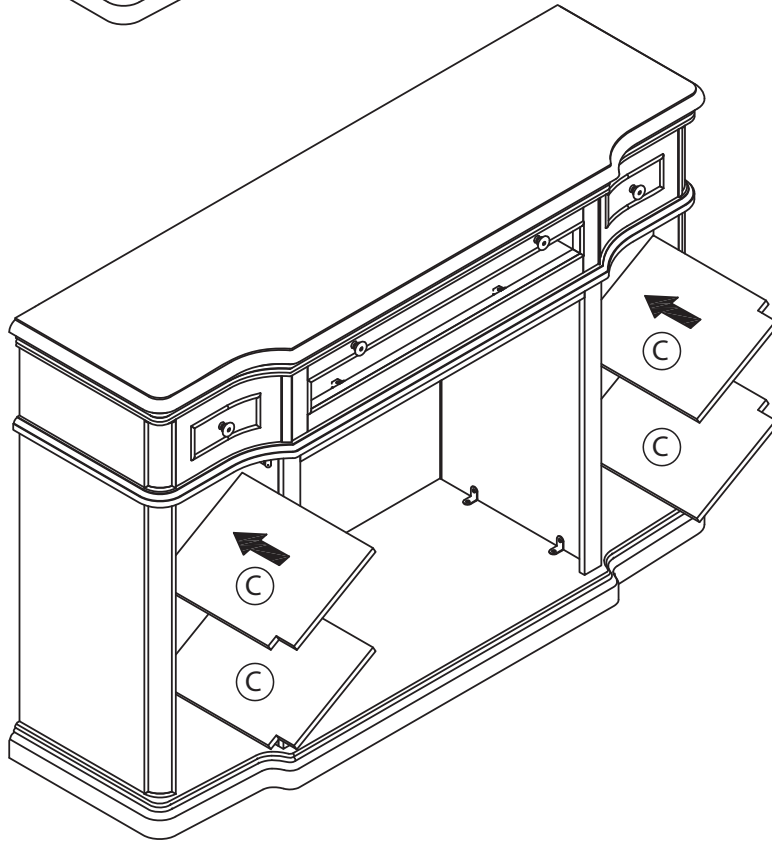


The LED light can be recharged by USB cable & adaptor. Both are provided with the mantel.

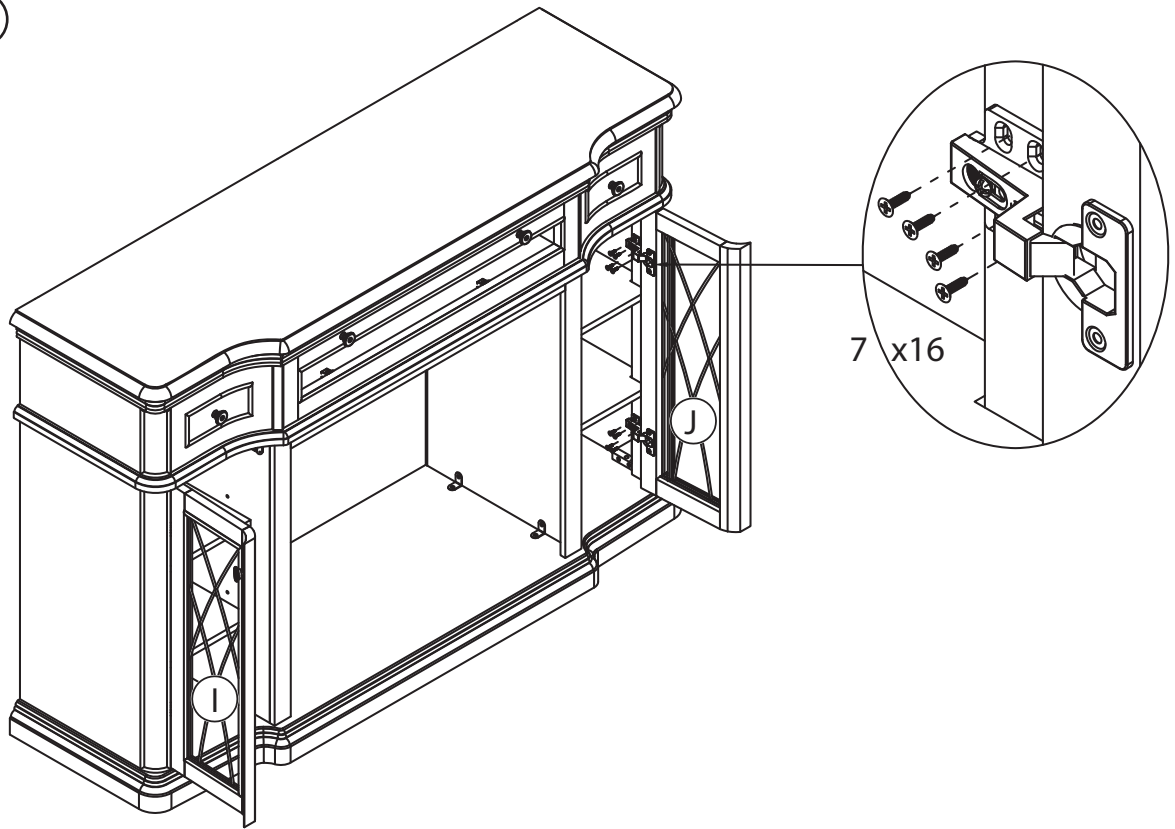
11



12



13

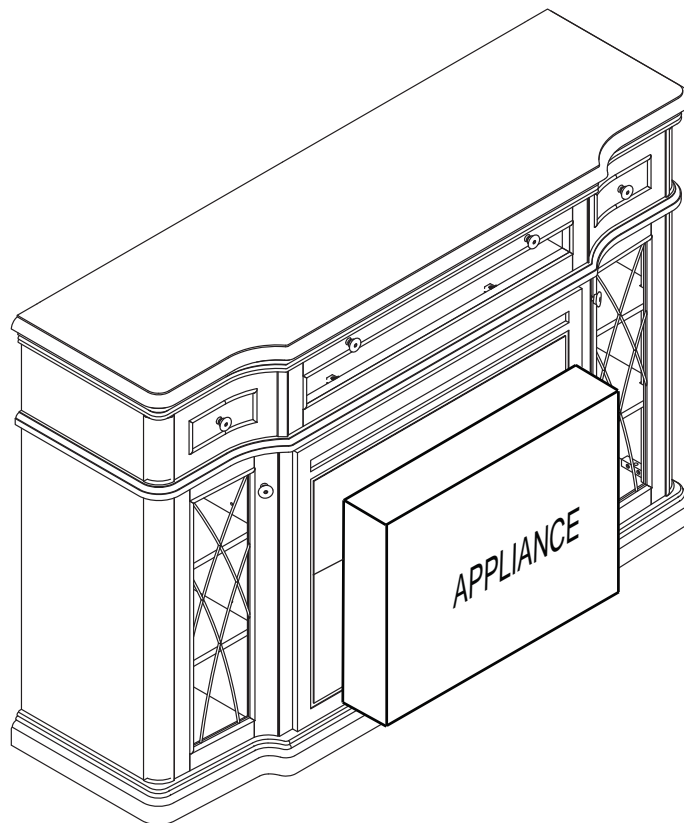


3.1 APPLIANCE INSTALLATION

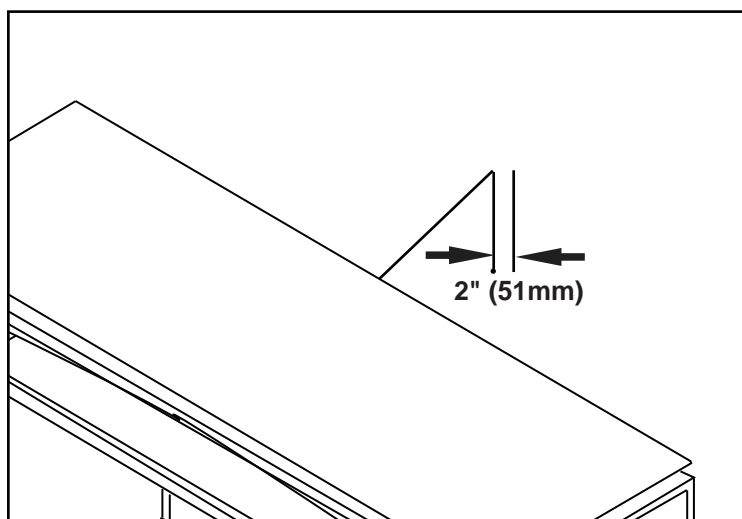
! WARNING

DO NOT SLIDE APPLIANCE; MANTEL OR OTHER PAINTED SURFACES MAY SCRATCH.

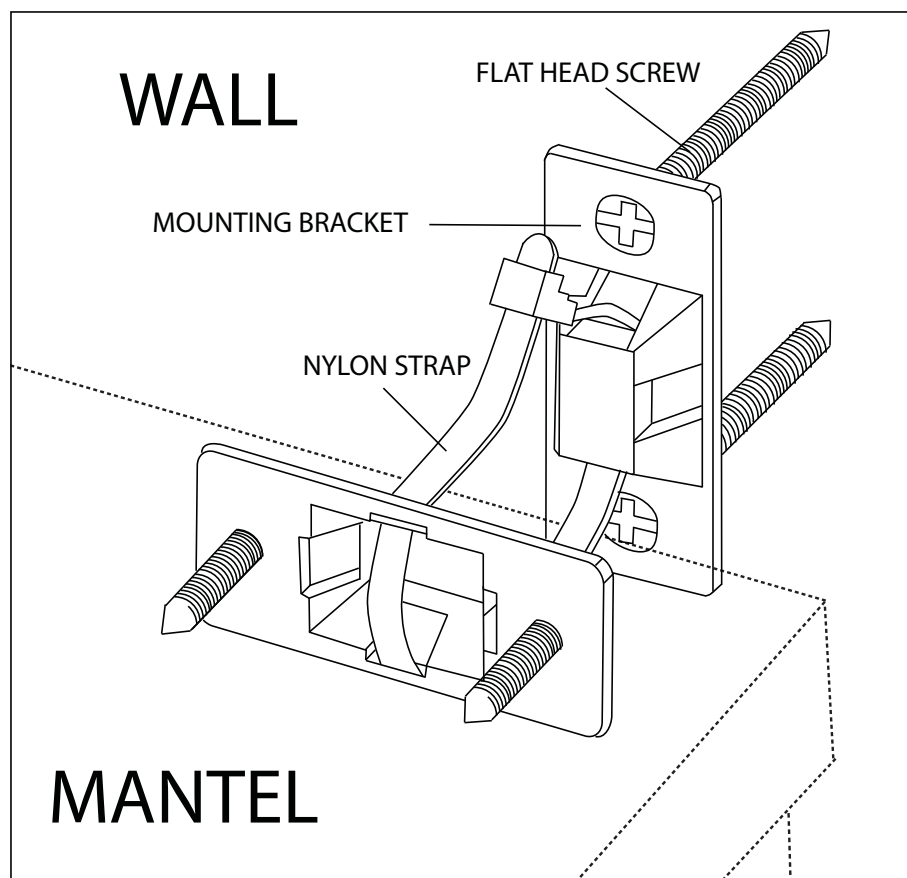
EN



The bottom of the appliance has rivets which can scratch the painted surface of the mantel; have two people lift the appliance up and insert into the opening of the mantel,



3.2 ANCHORING THE MANTEL



3.3 CARE AND MAINTENANCE

! WARNING

**DO NOT USE ABRASIVE OR CHEMICAL CLEANERS;
DISCOLOURING OR DAMAGE TO FINISH MAY RESULT.**

Clean mantel with a non-abrasive cloth. Clean as often as necessary.

NOTE: Excessive sun exposure may cause discolouring or fading of mantel finish.

4.0 WARRANTY

NAPOLEON products are designed with superior components and materials, assembled by trained craftsmen who take great pride in their work. Once assembled the complete mantel is thoroughly inspected before packing to ensure that you, the customer, receive the quality product that you expect from NAPOLEON.

NAPOLEON ELECTRIC APPLIANCE MANTEL LIMITED WARRANTY

NAPOLEON will provide replacement parts free of charge during the first year of limited warranty.

Any labour related to warranty repair is not covered.

* Construction of models vary. Warranty applies only to components included with your mantel.

CONDITIONS AND LIMITATIONS

Your appliance mantel is constructed of the finest quality grade materials. However, because the nature of wood, you may notice variations in grain consistency; this is normal and will add to the uniqueness of your appliance mantel.

NAPOLEON warrants its products against manufacturing defects to the original purchaser only. Registering your warranty is not necessary. Simply provide your proof of purchase along with the model and serial number to make a warranty claim. NAPOLEON reserves the right to have its representative inspect any product or part thereof prior to honouring any warranty claim. Provided that the purchase was made through an authorized NAPOLEON dealer your mantel is subject to the following conditions and limitations:

Warranty coverage begins on the date of original installation.

This factory warranty is non-transferable and may not be extended whatsoever by any of our representatives.

Installation must be done in accordance with the installation instructions included with the product and all local and national building and fire codes.

This limited warranty does not cover damages caused by misuse, lack of maintenance, accident, alterations, abuse or neglect and parts installed from other manufacturers will nullify this warranty.

This limited warranty further does not cover any scratches, dents, discoloring caused by sun exposure, abrasive and chemical cleaners nor chipping.

In the first year only, this warranty extends to the repair or replacement of warranted parts which are defective in material or workmanship provided that the product has been assembled and operated in accordance with the operation instructions and under normal conditions.

NAPOLEON will not be responsible for installation, labour or any other expenses related to the reinstallation of a warranted part and such expenses are not covered by this warranty. Notwithstanding any provisions contained in the Limited Warranty, NAPOLEON's responsibility under this warranty is defined as above and it shall not in any event extend to any incidental, consequential or indirect damages.

This warranty defines the obligations and liability of NAPOLEON with respect to the NAPOLEON electric appliance mantel and any other warranties expressed or implied with respect to this product, its components or accessories are excluded.

NAPOLEON neither assumes, nor authorizes any third party to assume, on its behalf, any other liabilities with respect to the sale of this product.

Any damages to the mantel, glass or other component due to water, weather damage, cracking, long periods of dampness, condensation, damaging chemicals or cleaners will not be the responsibility of NAPOLEON.

The bill of sale or copy will be required together with a serial number and a model number when making any warranty claims from your authorized dealer. The warranty registration card must be returned within fourteen days to register the warranty.

NAPOLEON reserves the right to have its representative inspect any product or part thereof prior to honouring any warranty claim.

All parts replaced under the Limited Warranty Policy are subject to a single claim.

All parts replaced under the warranty will be covered for a period of 90 days from the date of their installation.

The manufacturer may require that defective parts or products be returned or that digital pictures be provided to support the claim. Returned products are to be shipped prepaid to the manufacturer for investigation. If a product is found with a defect, the manufacturer will repair or replace such defect.

Before shipping defective components, your dealer must obtain an authorization number. Any merchandise shipped without authorization will be refused and returned to sender.

Shipping costs are not covered under this warranty.

Additional service fees may apply if you are seeking warranty service from a dealer.

ALL SPECIFICATIONS AND DESIGNS ARE SUBJECT TO CHANGE WITHOUT PRIOR NOTICE DUE TO ON-GOING PRODUCT IMPROVEMENTS.
NAPOLEON IS A REGISTERED TRADEMARK OF WOLF STEEL LTD.

6.0 NOTES

EN

Lined area for notes, consisting of 30 horizontal lines.

Other Napoleon Products



Fireplace Inserts • Charcoal Grills • Gas Fireplaces • Waterfalls • Wood Stoves
Heating & Cooling • Electric Fireplaces • Outdoor Fireplaces • Gourmet Grills



24 Napoleon Road, Barrie, Ontario, Canada L4M 0G8
214 Bayview Drive, Barrie, Ontario, Canada L4N 4Y8
103 Miller Drive, Crittenden, Kentucky, USA 41030
7200 Trans Canada Highway, Montreal, Quebec, Canada H4T 1A3

Fireplaces / Heating & Cooling call: 705-721-1212 • Grills call: 705-726-4278
napoleonproducts.com