

Superior
FIREPLACES®
Our name is our promise.



Combine EPA Certified, energy-efficient performance with an attractive style that is customizable to individual taste. Powerful heating and long burn times make this zero clearance fireplace great for heating large spaces.



FEATURED WRT4820 with White Smooth Panels and Standard Square Pane door.

EXCLUSIVE FEATURES

- 🔥 Circulating design features ceramic glass for optimum heat transfer (required option louver kit or clean-face kit)
- 🔥 EPA phase II certified and Washington State approved wood heater
- 🔥 2.0 cubic foot insulated firebox that accepts up to 19" log size for increased performance
- 🔥 White smooth refractory panels with integrated ash lip and decorative cast iron log retainer
- 🔥 Air combustion control for variable heat output with air boost for faster wood ignition during startup
- 🔥 Includes insulated outside air kit (required for use)
- 🔥 86.6% Thermal efficiency and heats up to 1,500 square feet*
- 🔥 Efficient air wash system that keeps glass clean
- 🔥 Steel door with heat resistant door handle that stays cool to the touch
- 🔥 Includes heat activated 175 CFM UZY-6 variable speed blower for time-delayed heat distribution
- 🔥 HeatFlo™ air kit (required when using clean-face kit) and/or thermostatically controlled forced air kit available (three maximum outlets)
- 🔥 Durable high temperature paint finish
- 🔥 Uses SCIL (ACBI) 6" air cooled wood burning chimney
- 🔥 Uses SCIL (ASHT / HT6103 / S-2100 / HT6000) 6" insulated wood burning chimney
- 🔥 20 year limited warranty

INTERIOR

(Standard)



White Smooth Panels

DOORS

(Required)

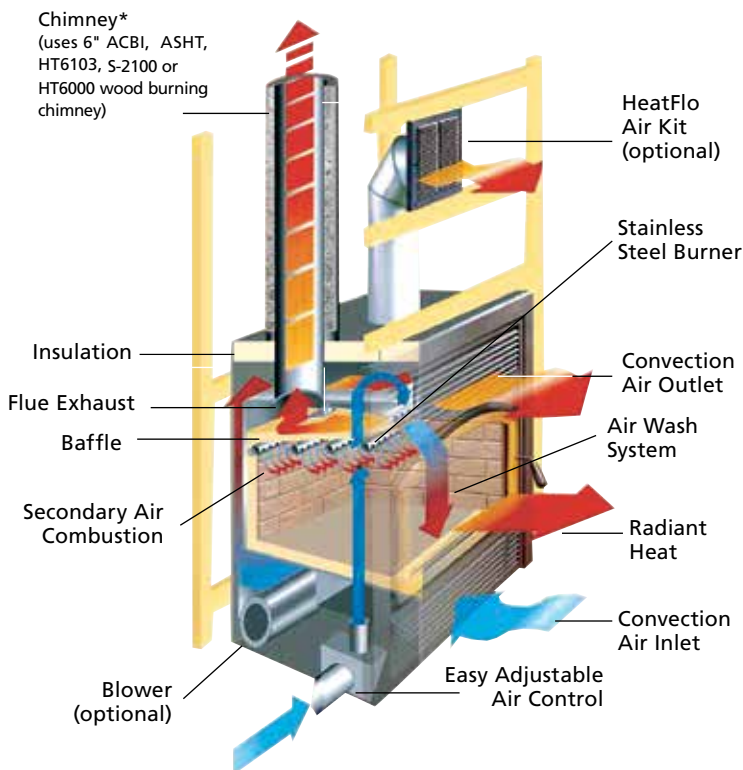


Square Pane

MULTI-ROOM HEATING OPTIONS

The WRT4820 wood burning fireplace can be used to heat multiple rooms within your home with our HeatFlo™ air kit option. Through natural convection or with the aid of the heat-circulating fan, warm air can be directed up to 10 feet away into one or two adjacent rooms, giving you the flexibility to heat up to three areas. Heat the family room with the fireplace, and the dining room and upstairs bedroom with the HeatFlo™ air kit. Or you can choose to more efficiently heat a large space by directing heat through multiple vents.

ENGINEERING FEATURES AND SPECIFICATIONS

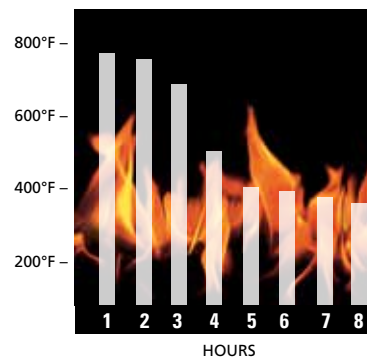


*Air-cooled chimney not recommended for use at elevations above 4,000 feet or in climates where temperatures will fall below 32° Fahrenheit (0° Celsius).

ADDITIONAL ACCESSORIES

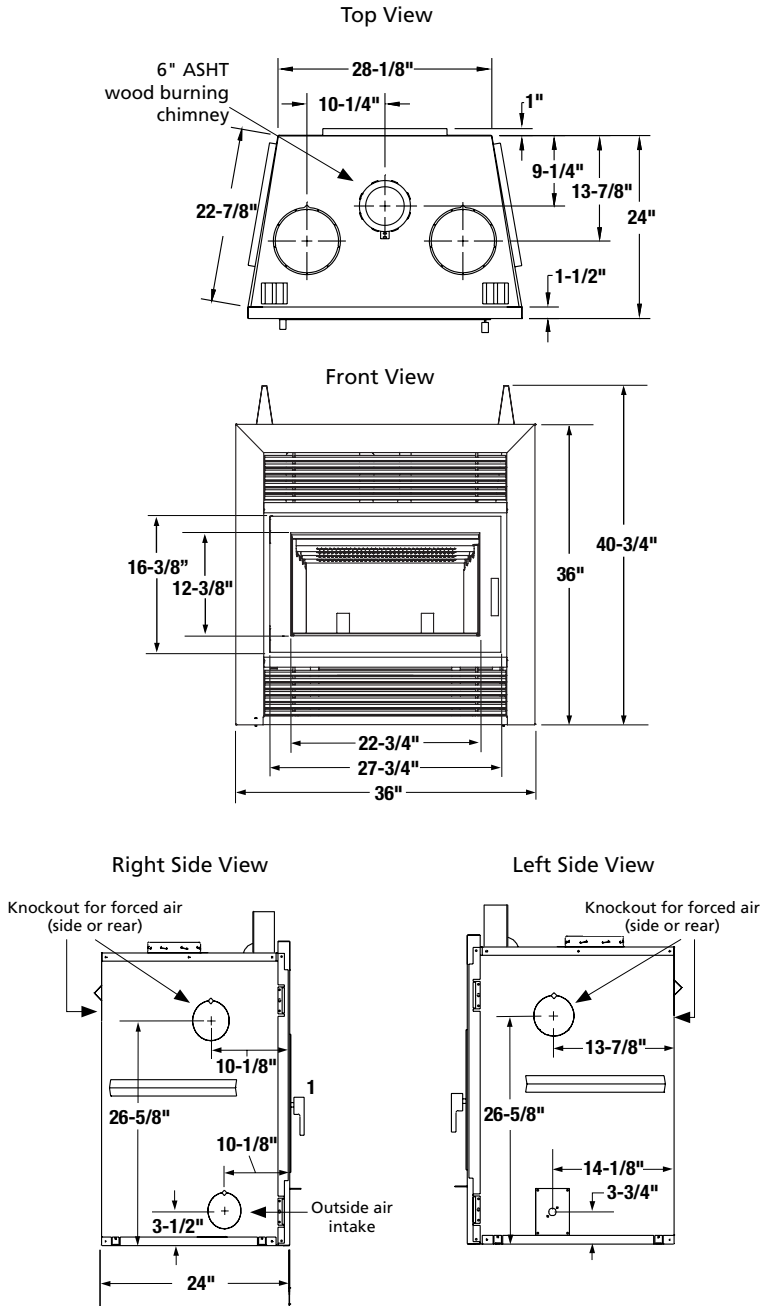
- Louver or Clean-face Kit (Required)
- Rigid Fire Screen
- HeatFlo™ Air Kit (Required for Clean-Face Kit)
- Forced Air Kit
- Variable Speed Switch for Blower

BURN RATES*

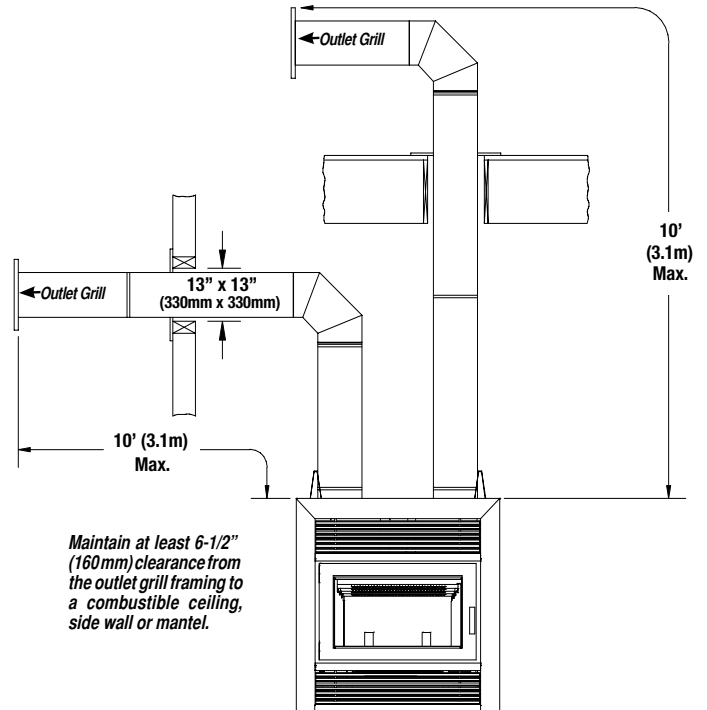


*Results obtained by burning 25 lbs. of dry maple wood. (one hour pre-heating)

APPLIANCE SPECIFICATIONS



INSTALLATION SPECIFICATIONS



PRODUCT SPECIFICATIONS

Glass Viewing Area (W x H)	22-1/2" x 12-1/4"
Firebox Interior (W x H x D+)	22" x 11-3/4" x 12"
Interior Cubic Feet	2.0
Maximum Log Size	19"
Chimney Size	6"
EPA Rating	3.7 grams/hr
BTUs	55,000
Heating Capacity (up to)	1,500 sq. ft.
Thermal Efficiency	86.6%
Blower	175 CFM
Weight	278 lbs.

+Measured in front of door

IMPORTANT NOTES:

As with any fireplace, this appliance is extremely hot during operation. Read and understand all operating instructions before using this appliance. For further information, consult your dealer.

Local conditions, such as elevation and choice of fuel will affect overall appearance of the fire and heating performance. Performance can also vary with home design and insulation, ceiling height, accessories chosen and appliance location.

Diagrams, illustrations and photographs are not to scale — consult installation instructions. Product designs, materials, dimensions, specifications, colors and prices are subject to change or discontinuance without notice.



© Innovative Hearth Products 2018
785369M 11/18

Visit us online
SuperiorFireplaces.us.com

