



With unobstructed views of the flame and beautiful grey refractory panels, the WRT3500 Series brings a traditional wood burning fireplace to any room in the home.

FEATURES

- 🔥 Available in 38" and 43" models
- 🔥 Large smoke dome for reliable operation and unobstructed view
- 🔥 Radiant smooth-faced design with durable textured powder finish
- 🔥 Available with grey stacked or grey herringbone refractory panels
- 🔥 Heavy duty log grate and floor with integrated ash lip
- 🔥 Fully insulated firebox for increased performance in colder climates
- 🔥 Includes concealable mesh fire screens
- 🔥 Includes adjustable outside air damper
- 🔥 Optional outside air kits with flex duct and hood are available
- 🔥 Uses IHP 12 DM (1700°) double-wall air-cooled wood burning chimney
- 🔥 Uses IHP 12 HT (2100°) heavy gauge double-wall air-cooled wood burning chimney, recommended for cold climates (required for Canada)
- 🔥 20-year limited warranty

INTERIOR OPTIONS (REQUIRED)

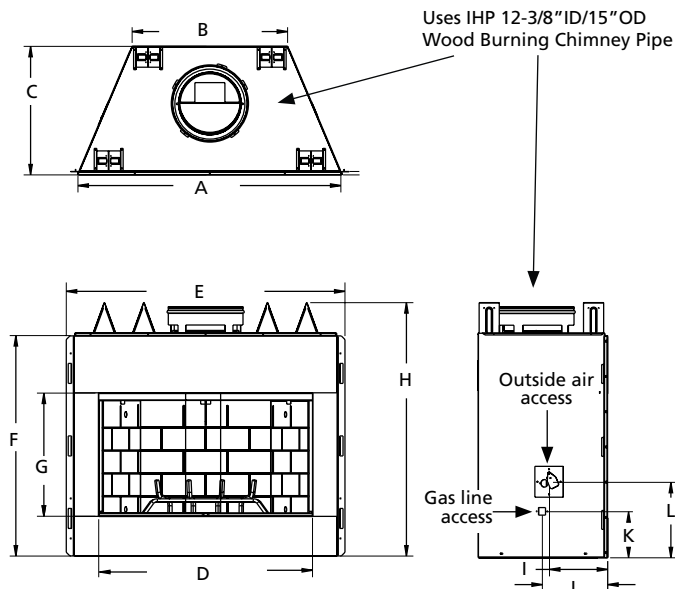


Grey Stacked



Grey Herringbone

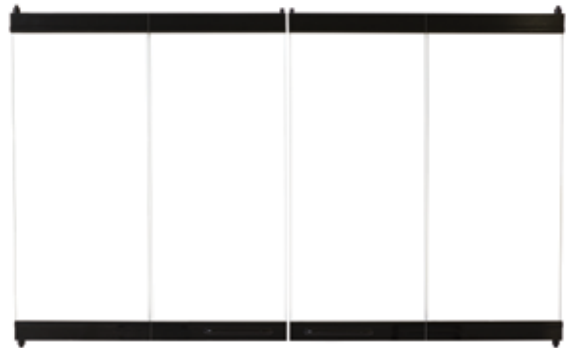
APPLIANCE SPECIFICATIONS



WRT3538 shown with Grey Herringbone Refractory liner

OPTIONAL ACCESSORIES

- Bi-fold glass doors
- Outside air kits
- Gas logs



Bi-fold tempered glass doors are expertly crafted.

WRT3538

WRT3543

A	48"	52-3/4"
B	26-3/8"	31-1/8"
C	25-3/4"	25-3/4"
D	38"	42-3/4"
E	50"	54-3/4"
F	44-1/8"	44-1/8"
G	24-5/8"	24-5/8"
H	50-3/4"	50-3/4"
I	11-5/8"	11-5/8"
J	13-1/8"	13-1/8"
K	9-1/4"	9-1/4"
L	15-1/8"	15-1/8"

FRAMING SPECIFICATIONS

WRT3538

WRT3543

HEIGHT	50-7/8"	50-7/8"
WIDTH	49-1/4"	54"
DEPTH	26-1/4"	26-1/4"

ON THE COVER: WRT3538 Fireplace with Grey Stacked Refractory Liner

IMPORTANT NOTES:

As with any fireplace, this appliance is extremely hot during operation. Read and understand all operating instructions before using this appliance. For further information, consult your dealer.

Local conditions, such as elevation, wind, vent configuration and choice of fuel will affect overall appearance of the fire and heating performance. Performance can also vary with home design and insulation, climate, condition and type of fuel used, appliance location, burn rate, accessories chosen, chimney installation and how the appliance is operated.

Diagrams, illustrations and photographs are not to scale—consult installation instructions. Product designs, materials, dimensions, specifications, colors and prices are subject to change or discontinuance without notice.



© 2018 Innovative Hearth Products
785700M 09/18

Visit us online
SuperiorFireplaces.us.com

PFS
C US
Report #F17-136

