

**DRI2000 SERIES**

**DIRECT VENT GAS INSERTS**

**Superior**  
FIREPLACES®  
*Our name is our promise.*

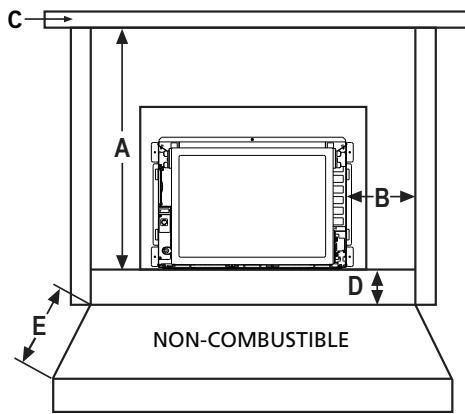
**TRADITIONAL**

The DRI2000 Series Direct Vent Gas Insert transforms an existing wood-burning fireplace into an efficient heater that delivers comfort at the flip of a switch.

## FEATURES

- Available in 27" and 32" heat-circulating models
- Approved for use with zero clearance and masonry fireplaces
- Conveniently placed controls allow for easy operation and adjustment of flame height and blower
- Electronic ignition with IPI/CPI switch and battery backup to provide continued operation in the event of a power outage
- Pan burner with up to 28,000 BTUs (32" model) / 25,000 (27" model)
- AFUE heating efficiency up to 78% (27" model) / 70% (32" model)
- Detailed ceramic fiber logs with glowing embers
- Features ceramic glass for optimum heat transfer
- Factory installed variable-speed blower
- Black painted interior
- Optional hand-held remote control or wireless wall-mounted control
- 20-year limited warranty

## INSERT CLEARANCES



### DRI2000 Series

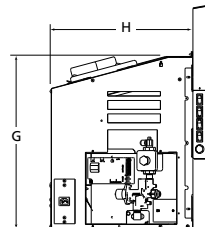
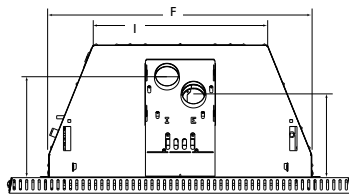
A	32"	MANTEL
B	4"	SIDE WALL
C	10"	MANTEL DEPTH
D*	0" 4"	VERTICAL DISTANCE FROM BASE OF APPLIANCE TO HEARTH EXTENSION
E*	10" 0"	MINIMUM HORIZONTAL DISTANCE FROM FRONT OF APPLIANCE

\* If the base of the appliance is 0" above the room floor 10" min. hearth extension is required.  
If the base of the appliance is 4" above the room floor, 0" hearth extension is required.

## INSERT DIMENSIONS

Top View

Side View



		DRI2027	DRI2032
F	Front Width	26-5/8"	31-5/8"
G	Overall Unit Height to Top of 3" Flue Collar	17-7/8"	19-3/8"
H	Unit Depth	14-7/8"	15-7/8"
I	Back Width	16-3/4"	21"

## MINIMUM FIREPLACE OPENING

	DRI2027	DRI2032
FRONT WIDTH	27"	32"
REAR WIDTH	17"	22"
HEIGHT	18"	19-1/2"
DEPTH	15"	16"

## ACCESSORIES

### Full Front Facades (One required)



LARGE

32" H X 43-1/4" W (32" Model)  
30" H X 41" W (27" Model)



MEDIUM

25" H X 41" W (32" Model)  
26" H X 37" W (27" Model)

### Optional Wireless Controls



Wireless Wall-Mounted Control



Optional Hand-Held Remote

## ADDITIONAL ACCESSORIES

- 4 Sided Trimmable Surround - 46" W x 38" H\*

\* The 4-Sided Surround is compatible for use with the medium size Full Front Facades (41" x 25"—DRI2032 Model and 26" x 37"—DRI2027) but not the large size Full Front Facade.

## INSERT SPECIFICATIONS

		DRI2027	DRI2032
Heating Capacity*		450-1,625	500-1,800
Insert Weight		87.5 lb	96 lb
BTU Input	NG	14,000 - 25,000	16,000 - 28,000
	LP	16,200 - 22,500	14,000 - 25,000
AFUE		78% NG 75% LP	70% NG 67% LP
Energuid (P4)		73% NG 73% LP	57% NG 61% LP
Blower		140-CFM Variable-Speed Blower (standard)	
Vent Pipe		Colinear 3" Flex Vent (sold separately)	

\*Square-foot heating capacities are approximations only. Actual performance may vary depending upon home design and insulation, ceiling heights, climate, appliance location, accessories chosen, chimney installation and how the appliance is operated.



© 2017 Innovative Hearth Products  
785699M 10/17

Visit us online  
SuperiorFireplaces.us.com

