

NAPOLEON

DISTINCT DIRECT VENT FIREPLACES
napoleonfireplaces.com



Whether you follow your head or your heart, you'll still end up with a Napoleon.

Fireplaces

Linear 45 - LHD45	4 - 5
Linear 62 - LHD62	6 - 7
Torch [®] - GT8	8 - 9
Vittoria [™] - GD19	10 - 11
Park Avenue [™] - GD82T-PAE	12 - 13
Tureen [™] - GD82T-TE	14 - 15
Plazmafire [™] 31 - WHD31	16 - 17
Crystallo [™] - BGD36CFG	18 - 19
Grandville [™] 36 CF - BGD36CF	20 - 21
Napoleon's Outstanding Features	22 - 23
Detailed Specifications & Line Drawings	24 - 27



The Park Avenue[™] shown with black rectangular facing kit and herringbone sandstone decorative brick panels.



FIND YOUR HAPPY (fire)PLACE.

Throughout the ages, people have gathered around fires to share in life's greatest joys.

There's just something about the glow of flickering flames that makes special moments feel even warmer.

A Napoleon fireplace is uniquely designed to brighten the vibe of any room in your house. Napoleon has an incredible range of designer options to fit any vision.

A fire not only raises the warmth and ambiance of a room, it can raise the value of your home. A fireplace offers some of the highest returns of any remodeling project. And that should make you feel good all over.

And so you can keep enjoying that positive glow for years and years and years to come, every Napoleon fireplace is backed by the President's Limited Lifetime Warranty.



We are proud to be recognized as one of Canada's Best Managed Companies and are dedicated to providing quality, home comfort products for over 40 years and counting.

Linear 45

Sophisticated Fires

Napoleon's Linear 45 is a modern linear gas fireplace that offers a sophisticated, "widescreen" fire element in any room of your home. The Linear 45 comes standard with electronic ignition with battery back-up and Napoleon's exclusive Topaz CRYSTALINE™ ember bed that sparkles with a luxurious glow. To create a dramatic mix, optional river rocks, colored glass, driftwood log set and designer fire art are available to replace or enhance the Topaz CRYSTALINE™ ember bed.

LHD45

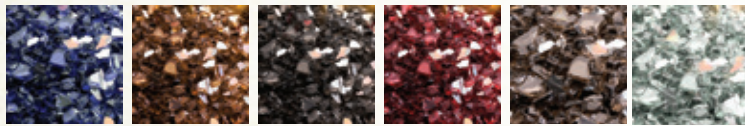
24,000 BTU's

46 1/4"w x 40 13/16"h

Natural gas or propane

For more detailed specifications on this unit, see page 24

Options & Accessories



Alternate Glass Media Kits & Glass Enhancement Kits
Six Colors Available



Designer Fire Art
Metal Coil Design



Designer Fire Art
Nickel Stix Design



F45 & F60 Remote Controls
On/Off with Digital Screen



Linear Frame - Grey



Deluxe 4-Sided Surround - Painted Gloss Black



Deluxe 4-Sided Surround - Painted Gloss White



Premium 4-Sided Surround - Brushed Stainless Steel



Basic 4-Sided Surround - Painted Flat Black





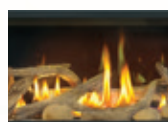
The Linear 45 shown with Linear Frame in grey and Topaz CRYSTALINE™ ember bed



MIRRO-FLAME™
Porcelain Reflective
Radiant Panels



Complete with
Safety Barrier



Driftwood Log Set
(logs and six river
rocks included)



Grey River Rock Media
Kit



Linear 62

Effortlessly Integrates with Your Style

A dynamic 62" linear direct vent gas fireplace that can be installed in both residential or commercial applications. With various media enhancement kits and decorative options to choose from, the Linear 62 becomes a focal point in any room. The Linear 62 comes standard with a Topaz CRYSTALINE™ ember bed, remote control, MIRRO-FLAME™ Porcelain Reflective Radiant Panels and electronic ignition making it the perfect fireplace for lobbies, entranceways, hallways, bars, lounges, living rooms and more.

LHD62

Up to 50,000 BTU's

50% flame/heat adjustment

73 7/8" w x 76 1/2" h

Natural gas or propane

For more detailed specifications on this unit, see page 24



Premium 4-Sided Surround - Brushed Stainless Steel



Deluxe 4-Sided Surround - Painted Gloss Black

Options & Accessories



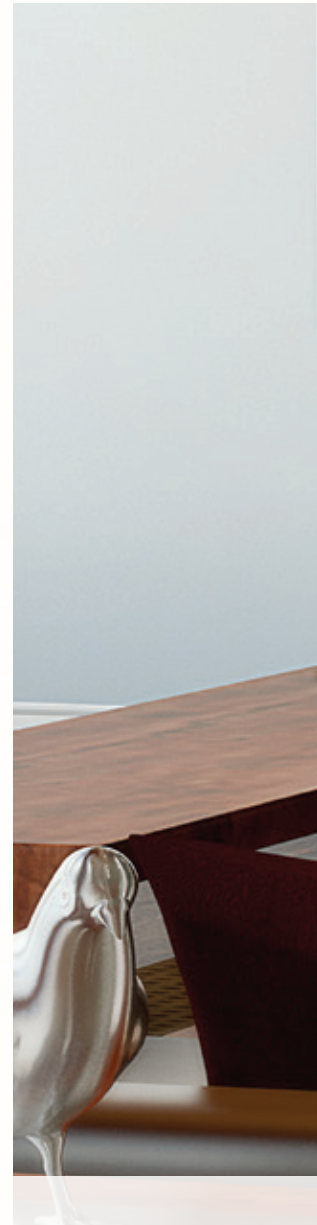
Alternate Glass Media Kits & Glass Enhancement Kits
Six Colors Available



Designer Fire Art
Nickel Stix



Remote Control
(standard)

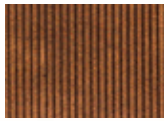




The Linear 62 shown with brushed stainless steel premium 4-sided surround and Topaz CRYSTALINE™ ember bed



MIRRO-FLAME™
Porcelain Reflective
Radiant Panels



Decorative California
Sun Fluted Brick
Panels



SAFETY
BARRIER
APPROVED

Complete with
Safety Barrier



Driftwood Log Set



Rock Kit



Plazmafire™ 31

Easy Installation

Ideal for modern and contemporary rooms, Napoleon's Plazmafire™ 31 features easy installation and all of the conveniences of a direct vent gas fireplace. Virtually endless installation possibilities and almost as easy as hanging a picture on the wall. With an impressive 30" x 15" viewing area, 20,000 BTU's, exclusive Topaz CRYSTALINE™ ember bed and slate brick panels, Napoleon's Plazmafire™ is a great addition to our modern fireplace collection and to any room in your home.

WHD31

20,000 BTU's

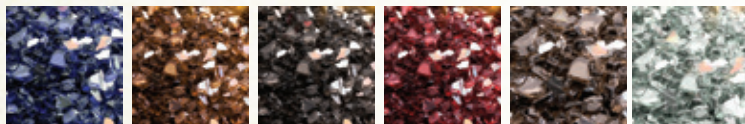
Convex Surround: 48 3/8"w x 29 1/2"h

Rectangular Surround: 43 3/8"w x 28"h

Natural gas or propane

For more detailed specifications on this unit, see page 25

Options & Accessories



Alternate Glass Media Kits & Glass Enhancement Kits
Six Colors Available



LED Light Kit
Two Lights Included



F45 & F60 Remote Controls
On/Off with Digital Screen



Brushed Stainless Steel Convex Surround



Stainless Steel Rectangular Surround



Painted Black Rectangular Surround





The Plazmafire™ 31 shown with brushed stainless steel convex surround



Slate Brick Panel
(standard)



Complete with
Safety Barrier



Torch®

Modern Simplicity

Napoleon's Torch® is an ultra modern direct vent gas fireplace with a slim design featuring a reflective, prism shaped firebox. The simplicity of the single luminous flame glows with artistic character. The perfect accent for bedrooms, bathrooms, kitchens, entranceways, hallways, offices, bars, lounges and waiting rooms. Versatile installations make the Torch® ideal for new construction and renovation projects, especially where space is limited.

GT8

6,000 BTU's

12"w x 43 ¾"h

Natural gas or propane

For more detailed specifications on this unit, see page 25

Options & Accessories



LED Accent Light Kit
Four Lights Included



Adjustable Mounting Cabinets
Two Color Options



Push Button Auto
Ignition



Painted Metallic Black Front



Brushed Stainless Steel Front





The Torch® shown with painted metallic black front



MIRRO-FLAME™
Porcelain Reflective
Radiant Panels
(standard)

Complete with
Safety Barrier



Vittoria™

Sleek, Tall and Slender

With its sleek, tall, slender design, the Vittoria™ gas fireplace easily installs into smaller wall applications... perfect for entranceways and corner wall installations. With the choice of a traditional log set and facing kits or a river rock setting and contemporary facing kits, the Vittoria™ offers two entirely different looks. The Vittoria™ features Napoleon's exclusive NIGHT LIGHT™, electronic ignition with battery back-up and heat radiating ceramic glass. Either choice, traditional or modern, the Vittoria™ is the perfect fireplace for smaller living spaces.

GD19

Up to 11,500 BTU's

45% flame/heat adjustment (natural gas model only)

22 1/4"w x 34 1/8"h

Natural gas or propane

For more detailed specifications on this unit, see page 26



Contemporary Facing Kit
Painted Black



Contemporary Facing Kit
Brushed Stainless Steel



Traditional Facing Kit
Painted Metallic Black



Traditional Facing Kit
Hammertone Pewter

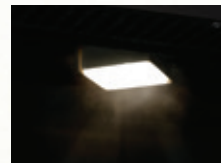
Options & Accessories



Ornamental Insets
Painted Metallic Black Finish



River Rock Burner
Assembly



Exclusive NIGHT LIGHT™



F45 & F60 Remote Controls
On/Off with Digital Screen





The Vittoria™ shown with brushed stainless steel contemporary facing kit, River Rock burner assembly and MIRRO-FLAME™ porcelain reflective radiant panels



Decorative Sandstone
Brick/Stone Panels



MIRRO-FLAME™
Porcelain Reflective
Radiant Panels



SAFETY
BARRIER
APPROVED

Complete with
Safety Barrier



Park Avenue™

European Styling

This tall, dark, handsome fireplace features a unique, clean design with advanced burner technology, creating the most realistic flames in the industry. The Park Avenue™ deluxe model is offered as a complete package including an exclusive NIGHT LIGHT™, heat circulating blower, multi-function remote control (controlling the flame, blower and NIGHT LIGHT™) and PHAZERAMIC™ advanced flame burner technology. Exclusive designer accessories make the Park Avenue™ perfect for any room in your home.

GD82T-PAE
Up to 26,000 BTU's
50% flame/heat adjustment
28" w x 58" h
Natural gas or propane

For more detailed specifications on this unit, see page 26

Options & Accessories



Exclusive NIGHT LIGHT™



Andirons



Remote Control (Standard)



Brushed Stainless Steel Surround & Hearth Kit



Arched Facing Kit Heritage Pattern



Rectangular Facing Kit Painted Black Finish



The Park Avenue™ shown with arched facing kit in painted black and Sandstone Herringbone decorative brick panels



Sandstone Herringbone
Decorative Brick Panels



MIRRO-FLAME™
Porcelain Reflective
Radiant Panels



SAFETY
BARRIER
APPROVED

Complete with
Safety Barrier



Tureen™

Style and Elegance

Combining style, modernism and elegance into one fireplace, the Tureen™ was the first in the Modern Collection of direct vent gas fireplaces. Napoleon's Tureen™ features a totally unique modern style, a heavy gauge Medallion™ burner system, an exclusive NIGHT LIGHT™, stylish river rocks and a remarkable towering flame. The contemporary ceramic bowl, decorative accessories and concave satin chrome reflective panel give the Tureen™ its impressive design, certain to create a dynamic and extraordinary focal point wherever it is installed.

GD82T-TE

Up to 26,000 BTU's

50% flame/heat adjustment

28" w x 58" h

Natural gas or propane

For more detailed specifications on this unit, see page 26

Options & Accessories



Remote Control
(standard)



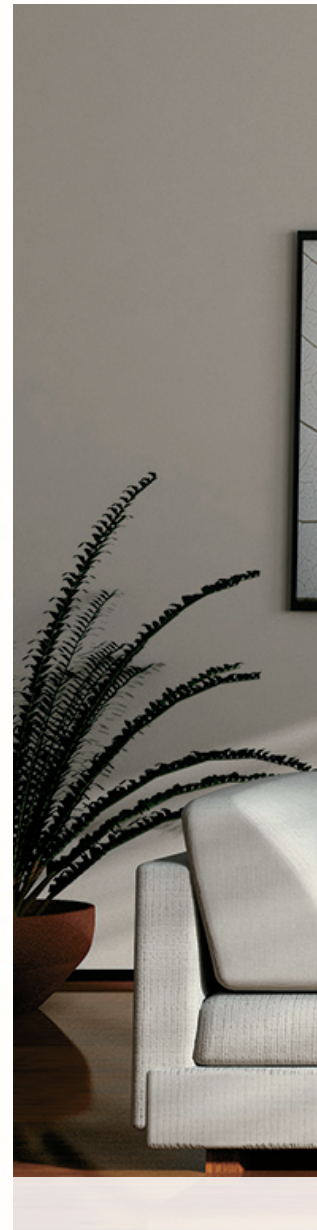
Brushed Stainless Steel
Surround & Hearth Kit



Arched Facing Kit
Heritage Pattern



Rectangular Facing Kit
Painted Black Finish





The Tureen™ shown with brushed stainless steel surround and hearth



Concave Polished Satin
Chrome Reflective Panel
(standard)



Complete with
Safety Barrier



Crystallo™

It's Crystal Clear...

A clean face design with an exclusive CRYSTALINE™ ember bed embraces Napoleon's new collection of modern fireplaces. The Crystallo™ provides inspiration to create a hearth experience that focuses on warmth, beauty and style. The Crystallo™ comes standard with MIRRO-FLAME™ Porcelain Reflective Radiant Panels and a multi-function LED spectrum light strip. The LED light strip transitions through the entire RGB color range or can be set to any color (including white) that suits your décor and act as an exclusive NIGHT LIGHT™. A unique hearth idea that sparkles with modern elegance!

BGD36CFG

Up to 17,000 BTU's

40% flame/heat adjustment

40"w x 38 1/2"h

Natural gas or propane



Diamond Dust Convex Surround

For more detailed specifications on this unit, see page 27

Options & Accessories



Glass Media Enhancement Kits
Five Colors Available



Satin Chrome Lower Trim



F45 & F60 Remote Controls
On/Off with Digital Screen





The Crystallo™ shown with diamond dust convex surround and LED lights set on blue



MIRRO-FLAME™
Porcelain Reflective
Radiant Panels
(standard)



Complete with
Safety Barrier



LED Spectrum Light Strip
The LED lights transition through an array of colors based on an RGB color spectrum
(feature image shown above shows the color range, ember bed will only show one color at a time)



Grandville™ 36 CF

Best of Both Worlds

This popular modern 36" fireplace is available as a clean face unit with a louver-free view of the firebox. The Napoleon Grandville™ 36 CF gas fireplace with heat radiating glass, beautiful display of YELLOW DANCING FLAMES® and realistic PHAZER® log set makes it the perfect complement to a crisp, contemporary design. The perfect fireplace for those wanting a traditional look but a clean face contemporary style, the Grandville™ 36 CF gives you the best of both worlds.

BGD36CF

Up to 17,000 BTU's

40% flame/heat adjustment

40"w x 38 1/2"h

Natural gas or propane

For more detailed specifications on this unit, see page 27

Options & Accessories



F45 & F60 Remote Controls
On/Off with Digital Screen



Standard Clean Face Front



Diamond Dust Convex Surround





The Grandville® 36 CF shown with standard clean face front and multi-colored river rock media kit.



MIRRO-FLAME™
Porcelain Reflective
Radiant Panels
(standard)



Complete with
Safety Barrier



Grey River Rock Media
Kit

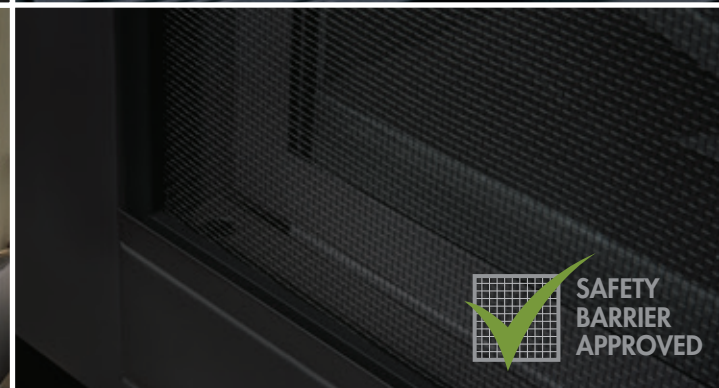
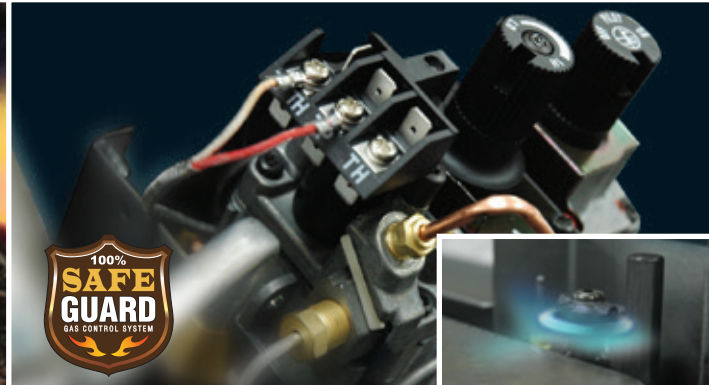


Multi-Colored River Rock
Media Kit



Outstanding Features

of Napoleon's Advanced Technology



Advanced Burner Technology

Napoleon's sophisticated burner system offers superior flame technology. Strategically placed burner ports create the most realistic YELLOW DANCING FLAMES[®] in the industry.

Finely Tuned Precision Valves

Surrounded with a protective cast aluminum jacket, the precision valves allow for ultimate reliability and 100% SAFE GUARD[®] gas control system.

Minimum 30% savings on heating costs with Zone Heating

Zone Heating means you are heating the rooms that you use the most with an alternate heat source, like a Napoleon heater rated gas fireplace. Zone Heating is the obvious solution for families concerned about rising fuel costs.



Outstanding Craftsmanship

Fine details are designed in every aspect of Napoleon fireplaces... individually handcrafted with pride of excellence to last a lifetime.

Safety Screens

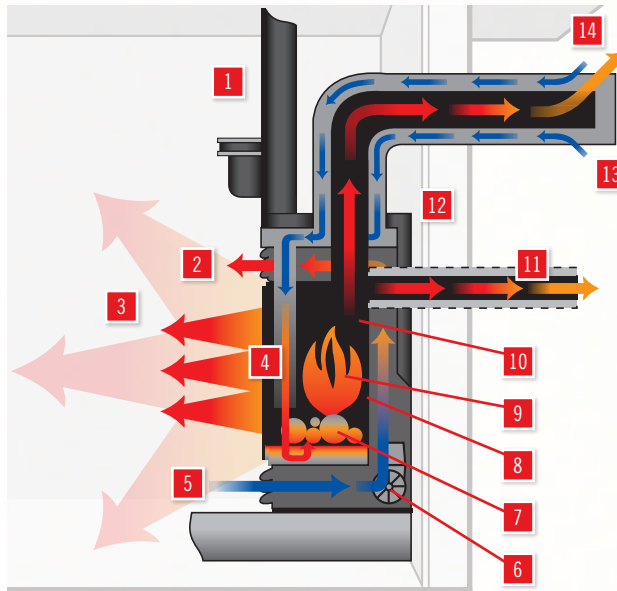
Napoleon, leaders in design & technology have developed safety screens with aesthetically pleasing designs for every gas appliance to ensure ultimate safety and peace of mind for your family.

Outstanding Features

of Napoleon's Direct Vent Technology

Direct Vent System

1. Zero clearance to combustible framing*
2. Forced convection heated room air
3. Radiant heat
4. High Heat Ceramic or Tempered Glass increases the radiant heat that is dispersed throughout the room. Save up to 30% on energy costs with radiant heat and Zone Heating
5. Cool room air is naturally drawn through the lower opening, circulates around the firebox, and expels into the living space as warm air
6. Optional air circulating variable speed blower with high temperature bearings increases efficient heating
7. Advanced ceramic burner system (selected models)
8. MIRRO-FLAME™ Porcelain Reflective Radiant Panels further increase radiant heat (optional on most models)
9. Advanced burner technology produces the most realistic flames in the industry
10. Sealed combustion chamber
11. Optional rear exhaust (selected models)



12. Efficient heat exchange system
13. Combustion air inlet
14. Flue gas outlet

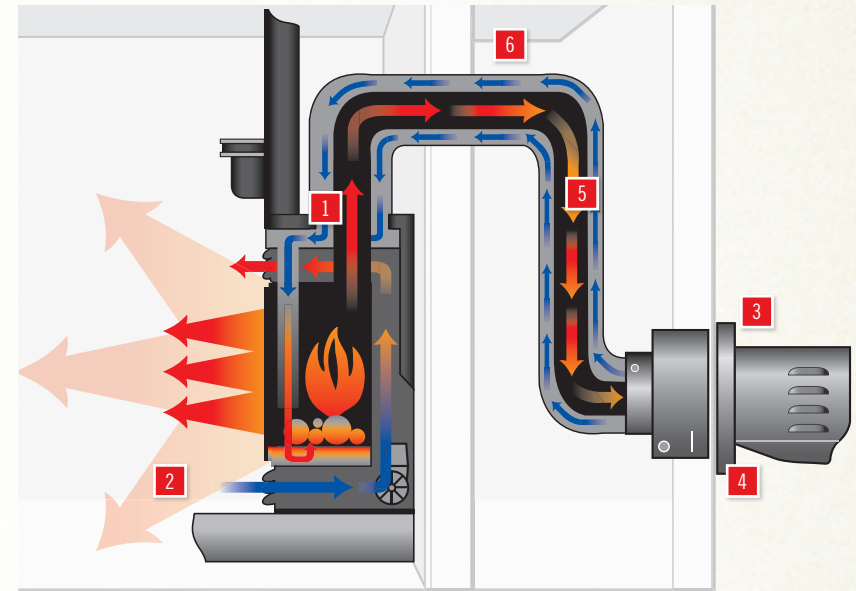
With over 35 years of research and development, Napoleon has perfected direct vent technology to offer you a fireplace, stove or insert that easily fits into your lifestyle.

With Napoleon's direct vent technology, you can design and install your fireplace in unique locations where it wasn't possible before with traditional masonry fireplaces. Even your basement can be transformed into a warm, inviting oasis for your family and friends to enjoy.

Whether you are renovating, building or replacing an inefficient fireplace product, Napoleon helps guide you in the right direction to find the product that's right for you and your home. Napoleon Fireplaces are a smart investment that will bring many years of affordable luxury to you and your family.

*See installation manual for details

Direct Vent Power Venting System



1. Suitable for exhaust products with various vent diameters
2. Installation friendly maintenance free durable construction
3. Blower mounted outside at terminal with WHISPER QUIET™ operation inside
4. Terminates above or below the fireplace to allow more freedom and versatility for direct vent installations
5. No hoses to terminal
6. Ability to "snake" either up, down or around objects (ie; behind stairways)

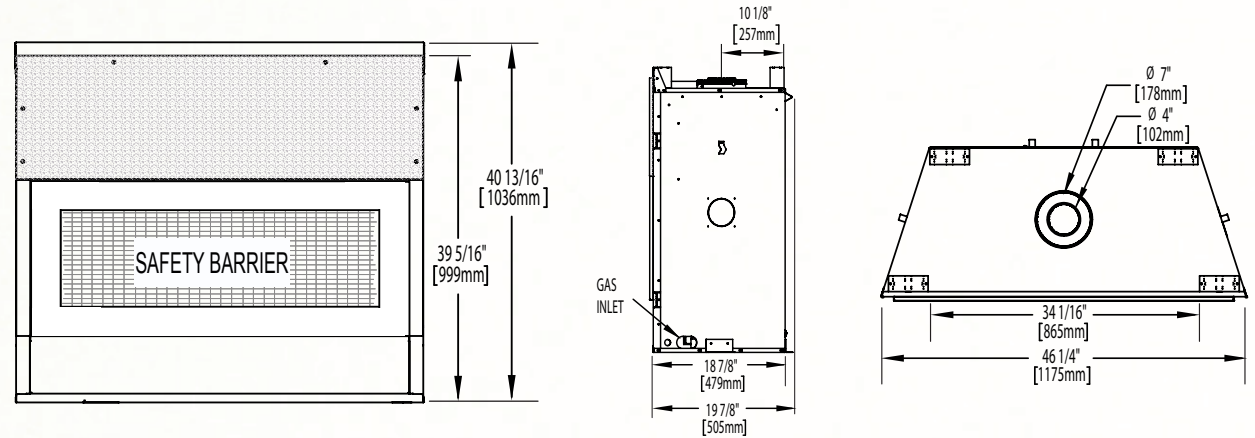
Napoleon's power venting system allows more freedom and versatility for direct vent installations. The option of having the termination above or below the fireplace, along with the ability to "snake" either up or down, allows installation when the desired fireplace location is a great distance away from an outside wall. The blower that pulls the burned gases from the fireplace is mounted outside at the terminal which provides WHISPER QUIET™ operation inside the home.

Available for Select Models

Linear 45 - LHD45

Shown on pages 4 & 5

*Fronts/Surrounds may change unit dimensions



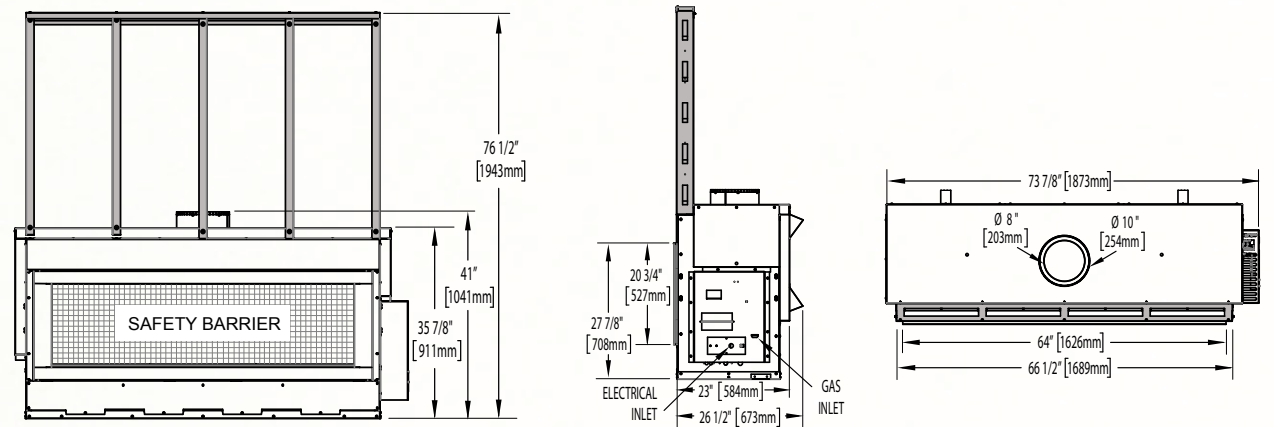
Product Code	BTU's (Input)		Venting	Height		Front Width		Depth		Glass Type	Glass Size		Glass Area (sq. in.)	Efficiencies			Blower	Mobile Home Certified	Electronic Ignition
	Natural Gas	Propane		Actual	Framing	Actual	Framing	Actual	Framing		Height	Width		EnerGuide	AFUE	Steady State			
LHD45	24,000	24,000	Top	40 13/16"	41 1/4"	46 1/4"	46 3/4"	19 7/8"	20 1/8"	Tempered	17 13/16"	40 7/8"	728	73.42%	-	72%	Optional	Yes	Yes

Certified under Canadian and American National Standards.

Linear 62 - LHD62

Shown on pages 6 & 7

*Fronts/Surrounds may change unit dimensions



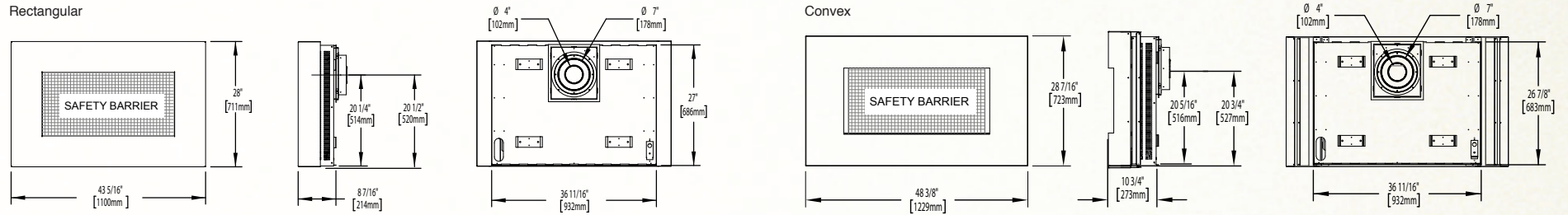
Product Code	BTU's (Input)		Venting	Height		Front Width		Depth		Glass Type	Glass Size		Glass Area (sq. in.)	Efficiencies			Blower	Mobile Home Certified	Electronic Ignition
	Natural Gas	Propane		Actual	Framing	Actual	Framing	Actual	Framing		Height	Width		EnerGuide	AFUE	Steady State			
LHD62	50,000	50,000	Top	76 1/2"	96"	66 1/2"	81"	26 1/2"	27"	Ceramic	18 1/2"	61 5/8"	1141	72.8%	-	62%	N/A	Yes	Yes

Certified under Canadian and American National Standards.

Plazmafire™ 31

Shown on pages 8 & 9

*Fronts/Surrounds may change unit dimensions



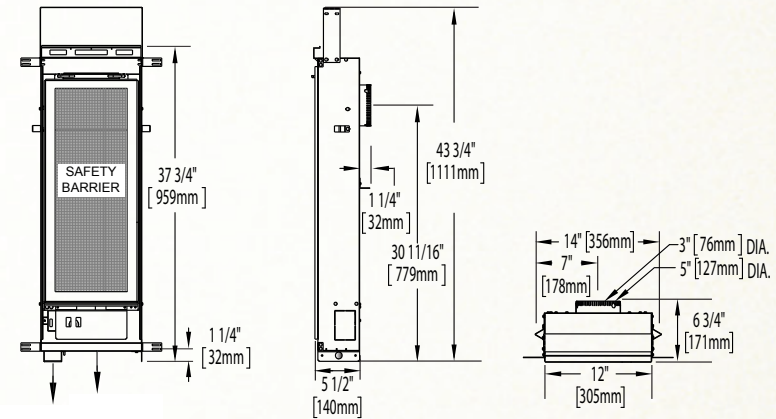
Product Code	BTU's (Input)		Venting	Height		Front Width		Depth		Glass Type	Glass Size		Glass Area (sq. in.)	Efficiencies			Blower	Mobile Home Certified	Electronic Ignition
	Natural Gas	Propane		Actual	Framing	Actual	Framing	Actual	Framing		Height	Width		EnerGuide	AFUE	Steady State			
WHD31 - Rectangular	20,000	16,000	Rear	28"	N/A*	43 5/16"	N/A*	8 7/16"	N/A*	Ceramic	16 1/2"	31 1/2"	520	65.2%	68.6%	68.9%	N/A	Yes	Yes
WHD31 - Convex	20,000	16,000	Rear	28 7/16"	N/A*	48 3/8"	N/A*	10 3/4"	N/A*	Ceramic	16 1/2"	31 1/2"	520	65.2%	68.6%	68.9%	N/A	Yes	Yes

Certified under Canadian and American National Standards.

Torch®

Shown on pages 10 & 11

*Fronts/Surrounds may change unit dimensions



Product Code	BTU's (Input)		Venting	Height		Front Width		Depth		Glass Type	Glass Size		Glass Area (sq. in.)	Efficiencies			Blower	Mobile Home Certified	Electronic Ignition
	Natural Gas	Propane		Actual	Framing	Actual	Framing	Actual	Framing		Height	Width		EnerGuide	AFUE	Steady State			
GT8	6,000	6,000	Rear	43 3/4"	44 1/4"	12"	14 1/2"	6 3/4"	7"	Ceramic	26"	10 1/2"	273	58%	-	78%	N/A	Yes	Yes

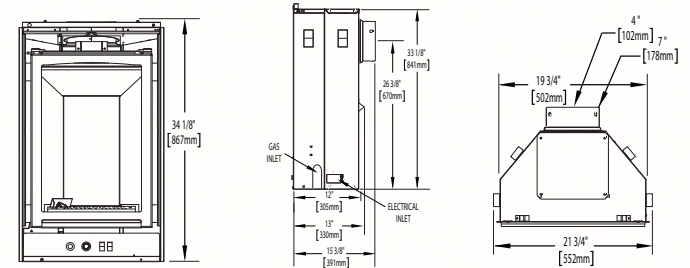
Certified under Canadian and American National Standards.

Figures may vary with individual conditions such as floor plan layout, insulation value/heat loss of the house and geographical location. Measurements to be used as a guide only. Consult your owner's manual for complete and up-to-date installation instructions and proper clearances to combustible materials.

Vittoria™

Shown on pages 12 & 13

*Fronts/Surrounds may change unit dimensions



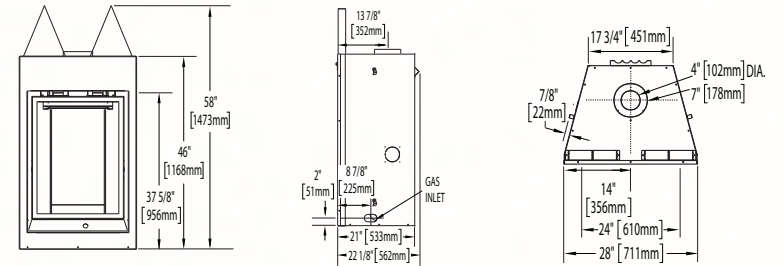
Product Code	BTU's (Input)		Venting	Height		Front Width		Depth		Glass Type	Glass Size		Glass Area (sq. in.)	Efficiencies			Blower	Mobile Home Certified	Electronic Ignition
	Natural Gas	Propane		Actual	Framing	Actual	Framing	Actual	Framing		Height	Width		EnerGuide	AFUE	Steady State			
GD19	11,500	11,000	Top/Rear	34 1/8"	34 3/8"	21 3/4"	22 1/4"	13"	13 1/4"	Ceramic	24"	16 5/8"	399	55.9%	-	75%	Optional	Yes	Yes

Certified under Canadian and American National Standards. This product has a design registration. Wolf Steel Ltd.®

Park Avenue™

Shown on pages 14 & 15

*Fronts/Surrounds may change unit dimensions



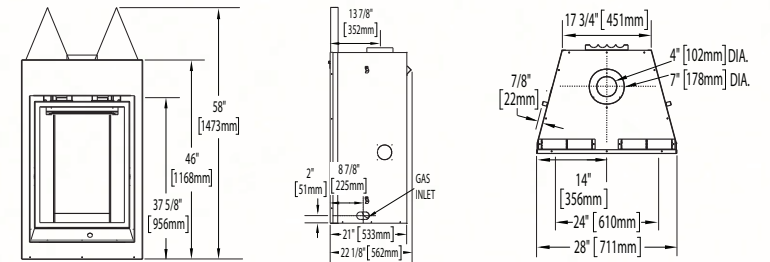
Product Code	BTU's (Input)		Venting	Height		Front Width		Depth		Glass Type	Glass Size		Glass Area (sq. in.)	Efficiencies			Blower	Mobile Home Certified	Electronic Ignition
	Natural Gas	Propane		Actual	Framing	Actual	Framing	Actual	Framing		Height	Width		EnerGuide	AFUE	Steady State			
GD82T-PAE	26,000	26,000	Top	58"	58 1/4"	28"	29"	22 1/8"	22 1/2"	Ceramic	29"	22"	638	54.4%	56%	62%	Standard	Yes	Yes

Certified under Canadian and American National Standards.

Tureen™

Shown on pages 16 & 17

*Fronts/Surrounds may change unit dimensions



Product Code	BTU's (Input)		Venting	Height		Front Width		Depth		Glass Type	Glass Size		Glass Area (sq. in.)	Efficiencies			Blower	Mobile Home Certified	Electronic Ignition
	Natural Gas	Propane		Actual	Framing	Actual	Framing	Actual	Framing		Height	Width		EnerGuide	AFUE	Steady State			
GD82T-TE	26,000	26,000	Top	58"	58 1/4"	28"	29"	22 1/8"	22 1/2"	Ceramic	29"	22"	638	54%	56%	62%	Included	Yes	Yes

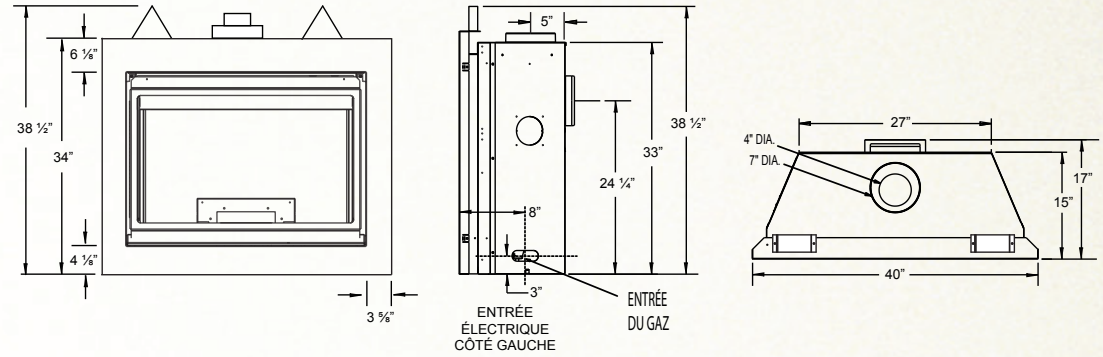
Certified under Canadian and American National Standards.

Figures may vary with individual conditions such as floor plan layout, insulation value/heat loss of the house and geographical location. Measurements to be used as a guide only. Consult your owner's manual for complete and up-to-date installation instructions and proper clearances to combustible materials.

Crystallo™ - BGD36CFG

Shown on pages 18 & 19

*Fronts/Surrounds may change unit dimensions



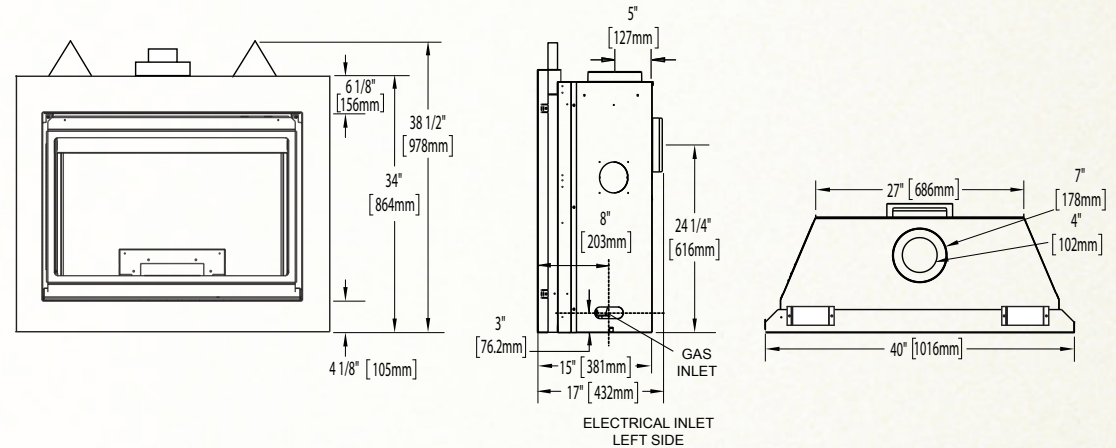
Product Code	BTU's (Input)		Venting	Height		Front Width		Depth		Glass Type	Glass Size		Viewing Area (sq. in.)	Efficiencies			Blower	Mobile Home Certified	Electronic Ignition
	Natural Gas	Propane		Actual	Framing	Actual	Framing	Actual	Framing		Height	Width		EnerGuide	AFUE	Steady State			
BG-D36CFG	17,000	17,000	Top/Rear	38 1/2"	38 3/4"	40"	40 1/2"	17"	17 1/4"	Tempered	19"	31 1/4"	592	59.4%	53%	64%	Optional	Yes	Yes

Certified under Canadian and American National Standards.

Granville™ 36 - BGD36CF

Shown on pages 20 & 21

*Fronts/Surrounds may change unit dimensions



Product Code	BTU's (Input)		Venting	Height		Front Width		Depth		Glass Type	Glass Size		Viewing Area (sq. in.)	Efficiencies			Blower	Mobile Home Certified	Electronic Ignition
	Natural Gas	Propane		Actual	Framing	Actual	Framing	Actual	Framing		Height	Width		EnerGuide	AFUE	Steady State			
BGD36CF	17,000	17,000	Top/Rear	38 1/2"	38 3/4"	40"	40 1/2"	17"	17 1/4"	Tempered	19"	31 1/4"	592	72.6%	53%	64%	Optional	Yes	Yes

Certified under Canadian and American National Standards.

Figures may vary with individual conditions such as floor plan layout, insulation value/heat loss of the house and geographical location. Measurements to be used as a guide only. Consult your owner's manual for complete and up-to-date installation instructions and proper clearances to combustible materials.

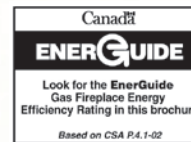


NAPOLEON - CELEBRATING OVER 40 YEARS OF HOME COMFORT PRODUCTS



24 Napoleon Road, Barrie, Ontario, Canada L4M 0G8
103 Miller Drive, Crittenden, Kentucky, USA 41030
7200 Trans Canada Highway, Montreal, Quebec, Canada H4T 1A3

Tel: 705-721-1212 Fax: 705-722-6031
napoleonfireplaces.com



Authorized Dealer

Consult your owner's manual for complete installation instructions and proper clearances to combustible materials. Check all local and national building codes and gas regulations. All specifications are subject to change without prior notice due to on-going product improvements. Products may not be exactly as shown. Flame height and activity is influenced by varying vent configurations and may not appear as shown. Napoleon® is a registered trademark of Wolf Steel Ltd. © Wolf Steel Ltd. EnerGuide - A Canadian efficiency standard based on frequent, short start-up and cool-down cycles. All appliances sold in Canada are subject to this EnerGuide rating system. AFUE - A US efficiency standard (Department of Energy) based on extended on/off cycles, more typical of fireplace usage. Steady State - Reflects the highest possible overall heating efficiency. Product images may vary due to safety barrier regulations coming into effect January 2015.