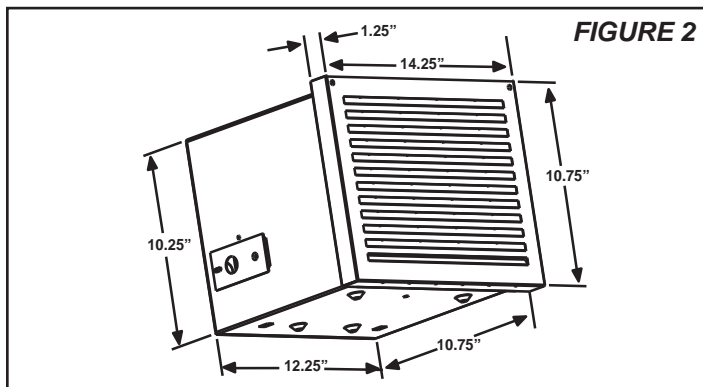
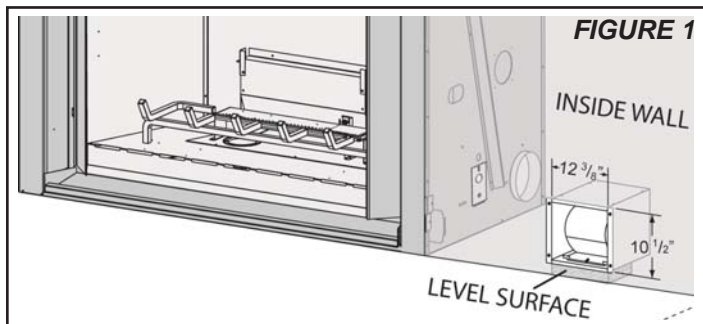


NZ64 & GA65 BGD90 KITS

WARNING: UNPLUG ALL ELECTRICAL CONNECTIONS BEFORE BEGINNING WITH INSTALLATION. ELECTRICAL CONNECTIONS MUST BE MADE BY A CERTIFIED ELECTRICIAN.

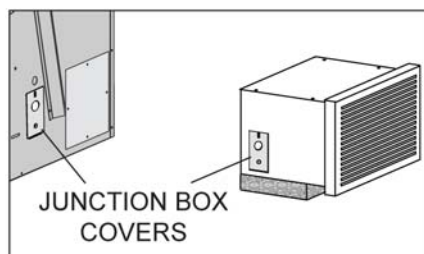
1. Position the blower to an inside wall into a framed opening 12 3/8" wide by 10 1/2" high. **FIGURE 1**

The blower housing should be installed onto a level surface large enough to support the blower assembly, see **FIGURE 2** for dimensions. Allow for finishing material when securing the blower housing, as the grill mounts to the housing. Ensure the blower is oriented properly with the footings of the blower housing at the bottom.

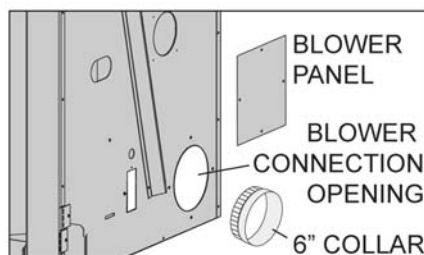


2. ELECTRICAL CONNECTION:

a) Remove the junction box covers from both the unit and the blower housing. **FIGURE 3**



b) Remove the blower panel from the left or right side of the unit depending on the blower location. Connect the 6" collar to the blower connection opening. Secure the collar by reaching through and bending the tabs back.



The opening that is not being used should be covered, if not already, with the blower panel that is provided.

FIGURE 4

c) Remove the access panel inside the firebox. Plug the fan cord into the control box receptacle marked "fan" located in the back right side of the unit. Using the strain relief provided bring the bare wires up through the bottom of the junction box leaving enough wire to hook up the blower. **FIGURE 5**

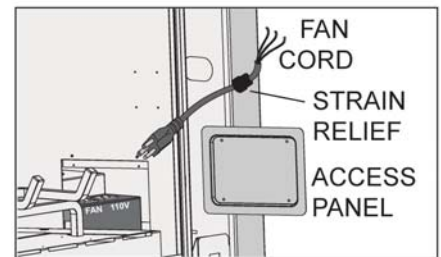


FIGURE 5

3. Connect the wires between the unit to the blower using an extension wire (not supplied). Follow the chart below to connect the wires correctly. Once all of the connections are made reinstall the junction box covers. **FIGURE 6**

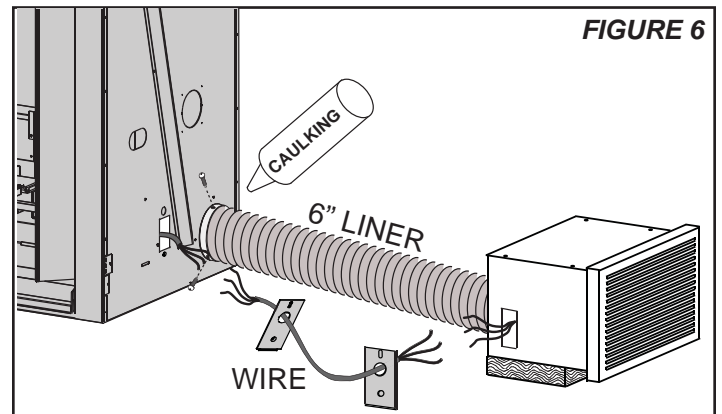


FIGURE 6

UNIT WIRE TO	EXTENSION WIRE	TO BLOWER WIRE
BLACK	BLACK	BLACK
BLACK	WHITE	WHITE
GREEN	GREEN	GREEN

4. Connect the 6" liner to the unit and blower collars. Secure using 3 screws on each end and seal with caulking. **FIGURE 6**

Liner supplied stretches to a maximum of 10'.

5. Insert the filter into the grill. Foam gasket (1/2" weather stripping) between the grill and blower housing is recommended, but not supplied. **FIGURE 7**

6. The bottom lip of the grill latches over the bottom lip of the housing. Use two screws to secure the top of the grill to the facing.

FIGURE 7

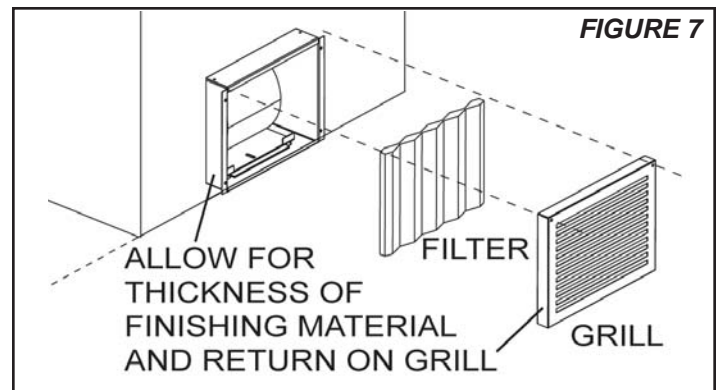


FIGURE 7