

LED-LINEAR Light Kit

Installation Instructions



Leave this manual with party responsible for use and operation.

DANGER



HOT GLASS WILL CAUSE BURNS.

DO NOT TOUCH GLASS UNTIL COOLED.

NEVER ALLOW CHILDREN TO TOUCH GLASS.

A barrier designed to reduce the risk of burns from the hot viewing glass is provided with this appliance and shall be installed for the protection of children and other at-risk individuals.

CAUTION! Do not install damaged components.

CAUTION! Risk of Cuts, Abrasions or Flying Debris. Wear protective gloves and safety glasses during installation.

Introduction

This kit requires an IFT-RC400 remote control kit, which includes an IFT Auxiliary Module (IFT-ACM) and an IFT Radio Frequency Module (IFT-RFM). The IFT-RC400 is not included with the LED-LINEAR kit. Follow programming instructions as listed in the IFT-RC400 upon installation of LED-LINEAR components.

The LED lights appear as an off-white color, but may be adjusted to another color by a qualified service technician at the time of installation. Table 1 on page 2 is a chart that may be used for color adjustment/setup for the LED-LINEAR light kit.

Tools

1/4 Nut Drive Extension (6 in. minimum)

Phillips Screwdriver

Kit Components

- (1) LED Assembly
- (1) LED Power Supply
- (1) LED Wire Harness
- (2) Self-tapping Screws

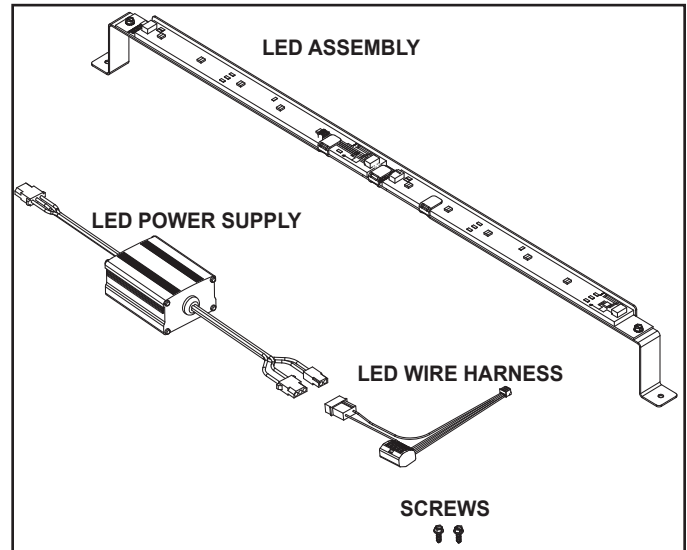


Figure 1. Kit Contents

INSTALLATION

1. Remove decorative front, glass assembly from appliance, and lower cover panel, if installed. Refer to appliance installation manual for glass removal and replacement instructions.
2. Locate the control module inside the control cavity of the appliance. Remove two screws to remove heat shield. Retain screws and heat shield. They will be reinstalled later.
3. The module is held in place by a hook and loop fastener. Lift the module up to disengage it and remove from the control cavity.
4. Connect the IFT-ACM to the existing module. Refer to the IFT-RC400 installation instructions.
5. Connect the IFT-RFM to the existing module. Refer to the IFT-RC400 installation instructions. Reinstall module/IFT-ACM assembly into the location in which it was previously installed.

NOTICE: Prior to performing Step 6 and Step 7, ensure the LED power supply is oriented as shown in Figure 2. Damage to LED power supply will occur if installed incorrectly.

6. Locate and install the LED power supply. Remove the rubber plug from the connector on the IFT-ACM labelled "LIGHTS" and insert the 120 VAC connector plug that is attached to the LED power supply. This connector has a black, white and green wire attached. See Figure 2.

7. Connect the LED assembly to the LED wire harness. Next, connect the LED wire harness to the larger connector on the LED power supply. The smaller connector is not used. See Figure 2. Place LED power supply on top of IFT-ACM and reinstall the heat shield with two screws.

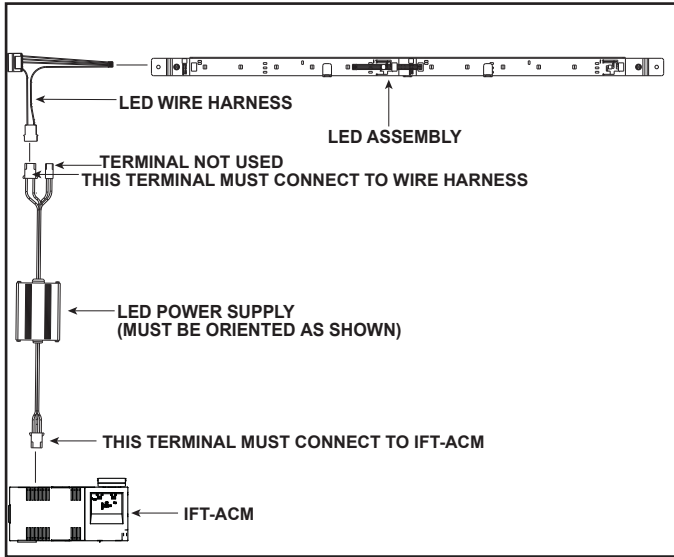


Figure 2. LED Wiring Diagram

8. The LED assembly is to be secured to the lower cover panel by utilizing two screws that correspond to the two pilot holes in the lower cover panel. Position the LED assembly to the lower cover panel so that the return bend faces away from the gas valve. Secure with two screws. See Figure 3 and Figure 4.

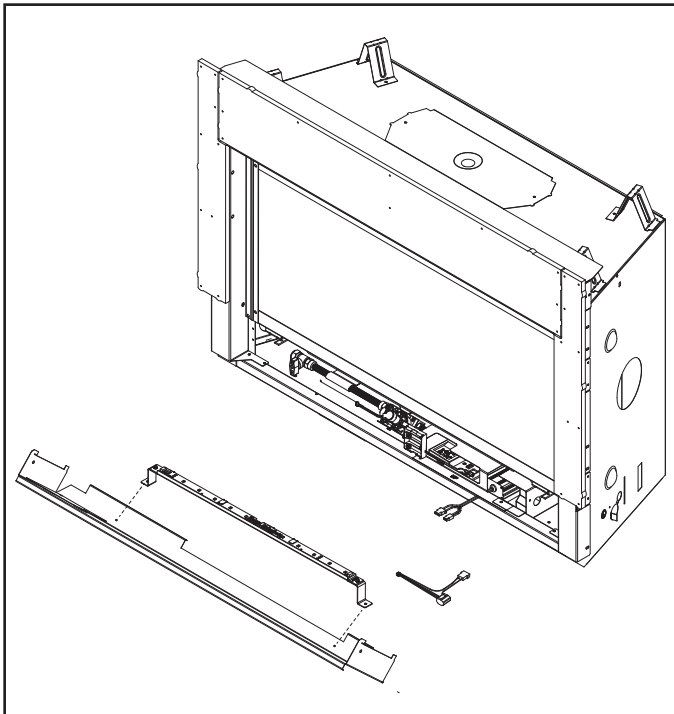


Figure 3. Install LED Assembly

9. Reinstall the lower cover panel onto the appliance and secure with two screws. Ensure the LED wires are out of the way of the side of the lower cover panel and are not touching the LED assembly. See Figure 4.

Note: Figure 4 shows a “see-through” view of the installed LED assembly inside the lower cover panel.

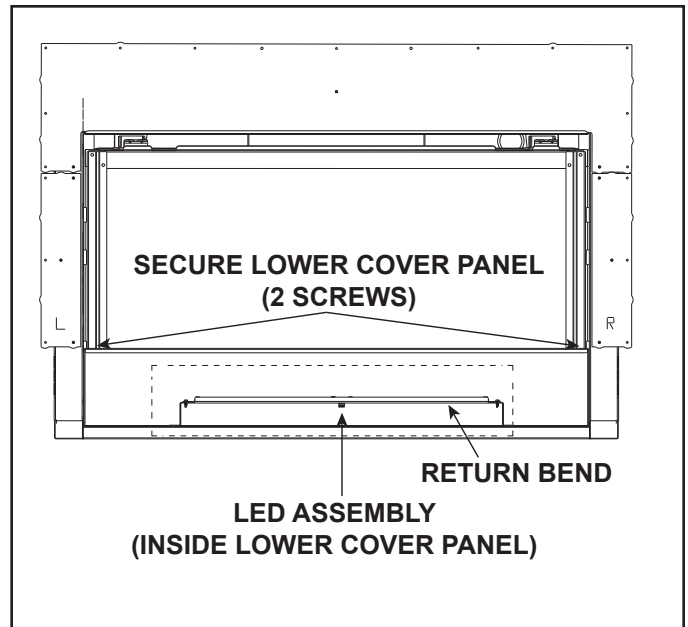


Figure 4. Location of Installed LED

LED Color Adjustment (Optional)

A qualified service technician may adjust the LED light color by removing the wires as instructed. Once a wire is removed, use electrical tape or a wire nut to insulate the exposed wire from contacting metal surfaces.

DESIRED LED COLOR	WIRE COLOR		
	YELLOW	BLUE	ORANGE
GREEN	X		
RED			X
DARK BLUE		X	
WHITE (Default)	X	X	X
YELLOW	X		X
PURPLE		X	X
LIGHT BLUE	X	X	
X = Wire connected to terminal block			

Table 1. LED Color Adjustment

Please contact your Hearth & Home Technologies dealer with any questions or concerns.

For the location of your nearest Hearth & Home Technologies dealer, please visit www.hearthnhome.com.

Hearth & Home Technologies
7571 215th Street West, Lakeville, MN 55044
www.hearthnhome.com