



GZ550-1KT BLOWER INSTALLATION INSTRUCTIONS



ELECTRICAL INSTALLATION TO BE DONE BY A QUALIFIED INSTALLER and must be connected and grounded in accordance with local codes. In the absence of local codes, use the current CSA C22.1 CANADIAN ELECTRICAL CODE in Canada or the current ANSI/NFPA 70 NATIONAL ELECTRICAL CODE in the United States.

A junction box, receptacle and cover plate are necessary to complete this installation. Because some fireplace models may not come equipped with one, a junction box specific for this application (part # W010-0482) may be ordered from your Wolf Steel / Napoleon® dealer.

This kit includes:

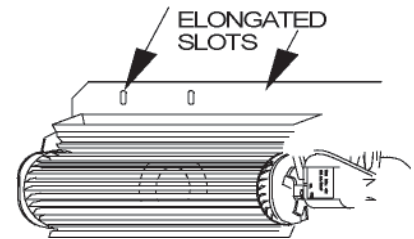
QTY.	DESCRIPTION	PART #
1	Blower Assembly	GZ552
1	Blower Bracket	W080-0067
1	Wire Harness	W750-0050
1	Thermodisc c/w Bracket	W010-0367
1	Vibration Reducing Pad	W361-0037
2	Wing Nuts	W450-0009
2	Lock Washers	W735-0001
1	Variable Speed Switch c/w Knob	KB-35

If the fireplace was not previously equipped with a blower: route a grounded 2-wire, 60hz power cable to the junction box. At this point, it must be strain relieved and insulated.

ALL MODELS (40 SERIES EXEMPTED):

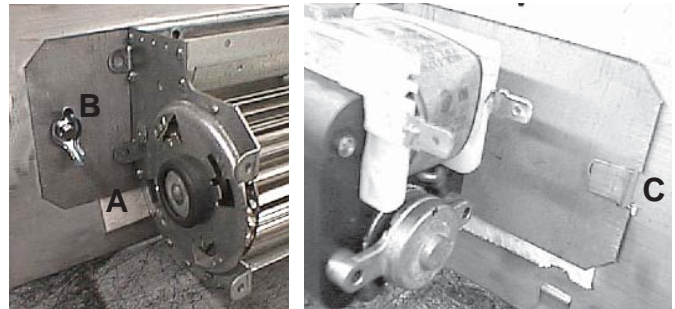
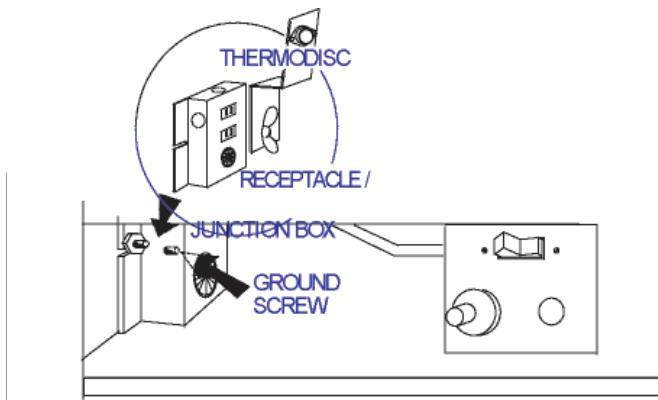
The three slots on the mounting bracket allow ease of adjustment when attaching the blower. For a quiet running blower, do not allow the assembly to sit on the firebox base.

Slide the vibration reducing pad (A) into the clip (C) and up against the threaded stud (B) at the other end. The blower must be able to be positioned entirely onto the pad.



Tilt the blower assembly onto its side. Slide it past the controls and into the clip (C). Secure to the threaded stud using the lock washer and wing nut provided. Ensure that the blower does not touch the fireplace base or the firebox.

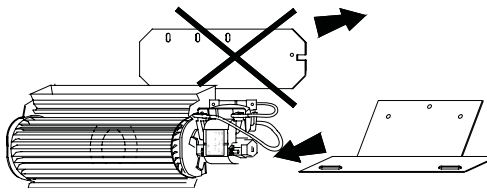
Attach the connectors from the black and white wires to the thermodisc and secure the thermodisc bracket to the securing stud at the bottom left of the unit using a lock washer and wing nut. Ensure that the thermodisc touches the firebox wall.



Continue with ALL MODELS



MODEL SERIES 40 :

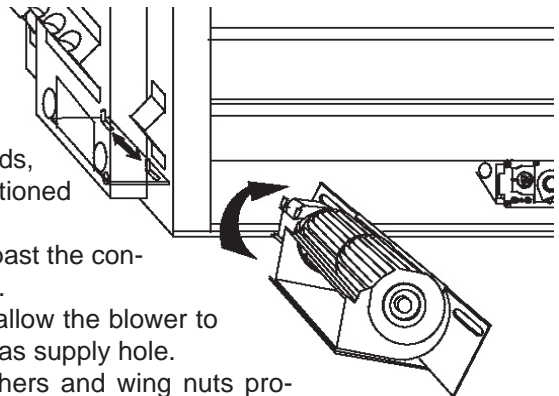


Remove the blower from its mounting bracket and attach to the bracket supplied with the fireplace. This bracket is found secured on the mounting studs located at the bottom of the vent side wall .

Position the vibration reducing pad, centered, onto the 2 threaded studs, piercing 2 holes into the pad. The blower must be able to be positioned entirely onto the pad.



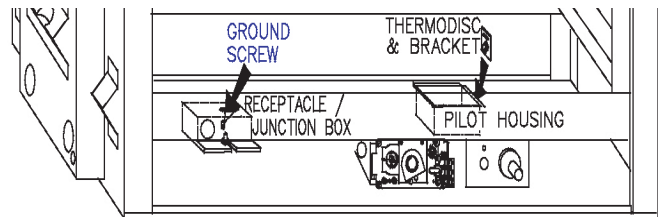
Tilt the blower onto its side and slide it past the controls. Position the blower onto the studs. The blower bracket contains slots that allow the blower to be positioned away from the intended gas supply hole. Secure the blower using the lock washers and wing nuts provided.



Remove the "Z" shaped mounting bracket secured to the burner, by the pilot. Remove the thermdisc from the bracket supplied in the blower kit and attach to the mounting bracket.

Do not overtighten thermdisc or distort housing.

Attach the connectors from the black and white wires to the thermdisc.

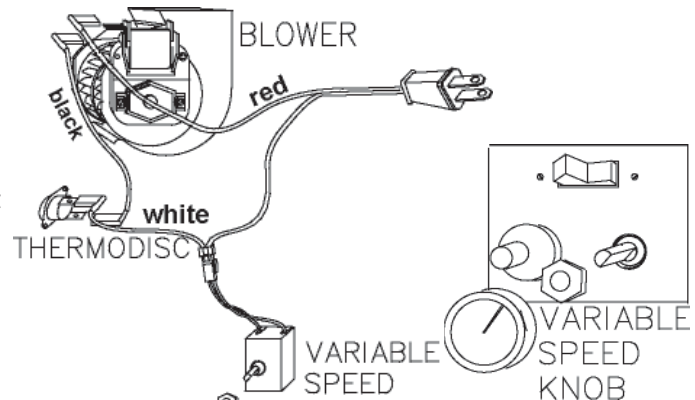


Continue with ALL MODELS.

ALL MODELS:

Attach the connectors from the black and red wires to the blower.

Attach and secure the variable speed switch using the nut provided. Plug the harness cord into the receptacle.



The wire harness provided in this kit is a universal harness. When installed, ensure that any excess wire is contained, preventing it from making contact with moving or hot objects.

Because the blower is thermally activated, when turned on, it will automatically start approximately 15-30 minutes after lighting the fireplace and will run for approximately 30-45 minutes after the fireplace has been turned off. Use of the fan increases the output of heat.