

# NAPOLEON

## OPTIONAL GSS48 COVER



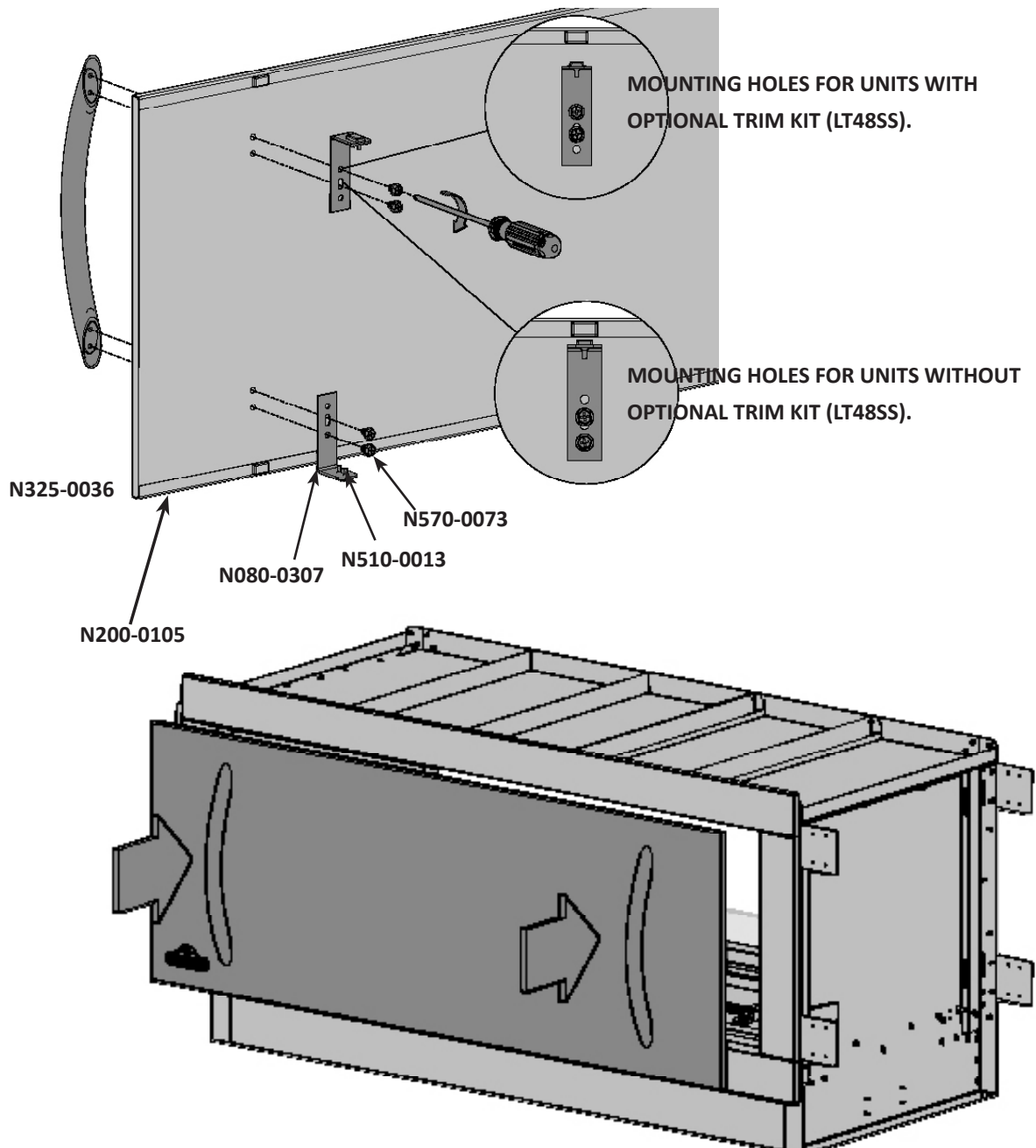
**CAUTION!** During unpacking and assembly we recommended you wear work gloves and safety glasses for your protection. Although we make every effort to make the assembly process as problem free and safe as possible, it is characteristic of fabricated steel parts that the edges and corners might be sharp and could cause cuts if handled incorrectly.

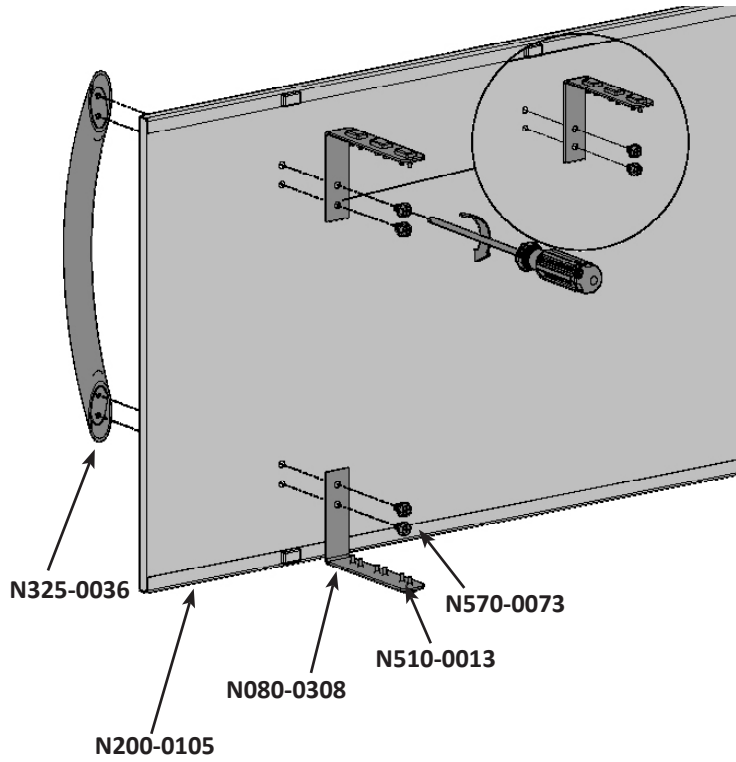


**NOTE!** Most stainless steel parts are supplied with a protective plastic coating that must be removed prior to using the appliance.



**NOTE!** For use with or without optional trim kit. If using without the optional trim kit the facing/finishing material cannot extend past the front surface of the appliance.





**NOTE!** The extension bracket kit (GSS48BRT) is sold separately.

**NOTE!** For use with facing/finishing materials which extend up to 3" (76mm) past the front of the appliance with no optional trim kit installed.

