

INSTALLATION AND OPERATING INSTRUCTIONS

FRBC

**IF YOU CANNOT READ OR UNDERSTAND THESE INSTALLATION INSTRUCTIONS
DO NOT ATTEMPT TO INSTALL OR OPERATE**

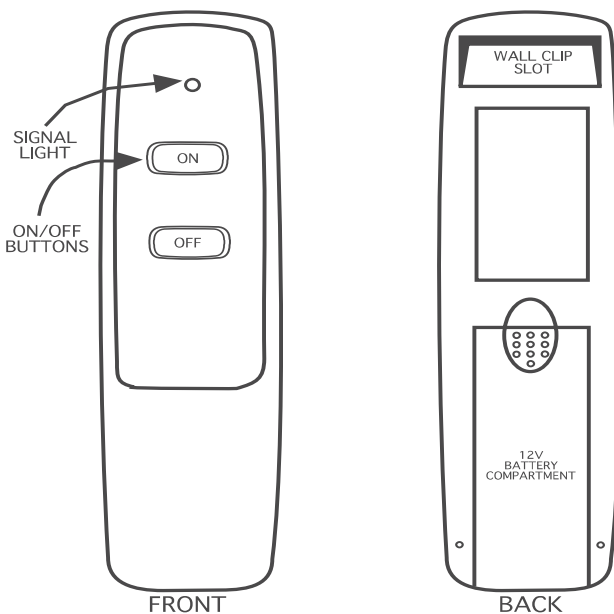
INTRODUCTION

This ECS's remote control system was developed to provide safe, reliable, and user-friendly remote control system for gas heating appliances.

The system can be operated manually from the transmitter. The system operates on one of 255 security codes that are programmed into the transmitter at the factory.

The transmitter operates on a 12V battery (included) made specifically for remote controls and electronic lighters. Install the 12V battery supplied with the unit into the battery compartment.

TRANSMITTER



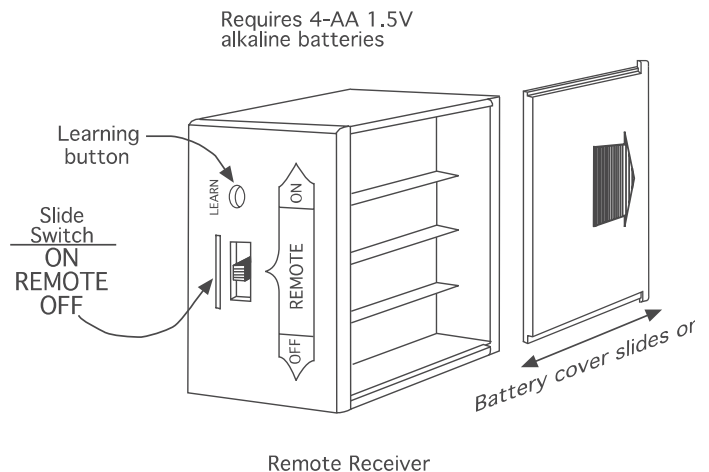
It is recommended that AKALINE batteries always be used for longer battery life and maximum operational performance.

The transmitter has ON and OFF functions that are activated by pressing either button on the face of the transmitter. When a button on the transmitter is pressed, a signal light on the transmitter illuminates briefly to verify that a signal has been sent. Upon initial use, there may be a delay of three seconds before the remote receiver will respond to the transmitter. This is part of the system's design. If the signal light does not illuminate, check the position of the transmitter's battery.

REMOTE RECEIVER

The remote receiver operates on 4 AA-size 1.5V batteries. It is recommended that ALKALINE batteries be used for longer battery life and maximum microprocessor performance. **IMPORTANT:** New or fully charged batteries are essential for proper operation of the remote receiver.

The remote receiver houses the microprocessor that responds to commands from the transmitter to control system operation. The remote receiver has a 3-position slide switch for selecting the MODE of operation: ON/REMOTE/OFF



- With the slide switch in the ON position (toward the LEARN button), the system will remain on until the slide switch is placed in the OFF or REMOTE position.
- With the slide switch in the REMOTE position (centered), the system will only operate if the remote receiver receives commands **from the transmitter**.
- With the slide switch in the OFF position (away from the LEARN button), the system is off.
- **It is suggested that the slide switch be placed in the off position if you will be away from your home for an extended period of time. If the remote receiver is mounted out of children's reach, placing the slide switch in the OFF position also functions as a safety "lock-out" by both turning the system off and rendering the remote receiver inoperative.**

INSTALLATION INSTRUCTIONS

⚠ WARNING

This remote control system must be installed exactly as outlined in these instructions. Read all instructions completely before attempting installation. Follow instructions carefully during installation. Any modifications of the ECS remote control or any of its components will void the warrant and may be pose a fire hazard.

Do not connect any gas valve or electronic module directly to 110-120VAC power. Consult gas appliance manufacturer's instructions and wiring schematics for proper placement of all wires. All electronic modules are to be wired to manufacturer's specifications.

The following wiring diagrams are for illustration purpose only. Follow instructions from manufacturer of gas valve and/or electronic module for correct wiring procedures. Improper installation of electric components can cause damage to electronic module, gas valve and remote receiver.

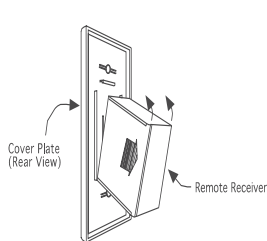
INSTALLATION

The remote receiver can be either wall-mounted in a standard plastic switch box or placed on or near the fireplace hearth. Preferably, the remote receiver should be wall-mounted in a plastic switch box, as this will protect its electronic components from both the heat produced by the gas appliance and potential damage or abuse that can occur if it is left exposed on the hearth. PROTECTION FROM EXTREME HEAT IS VERY IMPORTANT. Like any piece of electronic equipment, the remote receiver should be kept away from temperatures exceeding 130° F inside the receiver case. Battery life is also significantly shortened if batteries are exposed to high temperatures.

Make sure the remote receiver switch is in the OFF position. It is recommended that 18 gauge solid or stranded wires (not included) be used to make connections between the terminal wiring block on the millivolt gas valve or electronic module and the wire terminals on the remote receiver. For the best results, use 18 gauge solid or stranded wire, with no splices and measuring no longer than 20 ft.

WALL MOUNTING

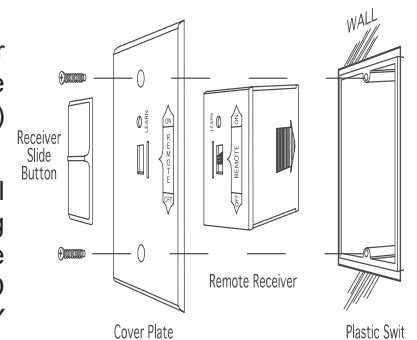
Install 4 AA-size 1.5 ALKALINE batteries in the remote receiver. For best performance, remote receiver batteries should be factory fresh when installed. Very little battery power is required to operate the remote receiver, but the electronics are tuned to operate best when battery output is greater than 5.3 volts. Four new AA batteries should provide an output voltage of 6.0 to 6.2 volts. **Be sure batteries are installed with the (+) and (-) ends facing the correct direction.**



TO ATTACH COVER PLATE TO RECEIVER BOX

Position the receiver as shown in diagram to the left with lower tab on cover plate inserted into groove of receiver (Make sure LEARN hole on cover plate properly aligns with remote receiver) Pull Receiver up and snap into top tab of cover plate.

Position the cover plate so the word ON is facing up; then, install the remote receiver into the plastic switch box using the two long screws provided. Push the White Button over the receiver slide switch only after making sure the remote receiver has LEARNED the transmitter's security code (see MATCHING SECURITY



CODES).

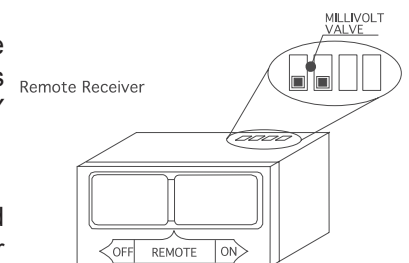
NOTE: White Button covers Learn hole when properly installed.

NOTE: The remote receiver will only respond to the transmitter when the 3-position slide button on the remote receiver is in the REMOTE position. If the system does not respond to the battery transmitter on initial use, see MATCHING SECURITY CODES, and recheck battery positions in the remote receiver.

HEARTH MOUNT

The remote receiver can be placed on the fireplace hearth or under the fireplace, behind the control access panel. Position where the ambient temperature inside the receiver case does not exceed 130° F.

NOTE: Black Slide Button is used for Hearth Mount applications.



WIRING INSTRUCTIONS

A qualified electrician or a gas technician who is familiar with the gas appliance and gas valves that will be operated by this remote should install the remote control system. Incorrect wiring connections WILL cause damage to the gas valve or electronic module operating the gas appliance and may also damage the remote receiver.

WIRING MILLIVOLT VALVES

The remote receiver is connected to the millivolt valve using the TH (thermostat) terminals on the terminal block on the millivolt gas valve.

Connect 18 gauge solid or stranded wires from the remote receiver to the gas valve.

Operation of the remote receiver is similar to that of a thermostat in that both turn the gas valve on and off based on input signals. A thermostat's input signals are different temperatures. The remote receiver's input signals come from the transmitter.

Connect each of the two wires leading from the TH terminals on the millivolt gas valve to either of the two wire terminals on the remote receiver. Normally it does not matter which wires go to which terminal.

For installing onto Empire Comfort Systems products, see page 6.

The remote control receiver can be connected, in series, to a 24VAC transformer to the TR (transformer) terminal on the ELECTRONIC MODULE. Connect the hot wire from the 24VAC transformer to either of the wire terminals on the remote receiver. Connect another wire (not included) between the other receiver wire terminal and the TH (thermostat) terminal on the ELECTRONIC MODULE.

System Check

MILLIVOLT VALVES

Light your gas appliance following the lighting instructions that came with the appliance. Confirm that the pilot flame is on; it must be in operation for the main gas valve to operate.

- Slide the 3-position button on the remote receiver to the ON position. The main gas flame (i.e., the fire) should ignite.
- Slide the button to OFF. The flame should extinguish (the pilot flame will remain on).
- Slide the button to REMOTE (the center position), then press the ON button on the transmitter to change the system to ON. The main gas flame should ignite.

ELECTRONIC IGNITION SYSTEMS

- Slide the 3-position button on the remote receiver to the ON position. The spark electrode should begin sparking to ignite the pilot (the pilot may ignite after only one spark). After the pilot flame is lit, the main gas valve should open and the main gas flame should ignite.
- Slide the button to OFF. The main gas flame and pilot flame should BOTH extinguish.
- Slide the button to REMOTE (the center position), then press the ON button on the transmitter to change the system to ON. The spark electrode should begin sparking to ignite the pilot. After the pilot is lit, the main gas valve should open and the main gas flame should ignite.

General Information

MATCHING SECURITY CODES

Each transmitter can use one of 255 unique security codes. It may be necessary to program the remote receiver to LEARN the security code of the transmitter upon initial use, if batteries are replaced, or if a replacement transmitter is purchased from your dealer or the factory. When matching security codes, be sure slide button on the receiver is in the REMOTE position; the code will NOT "LEARN" if the slide switch is in the ON or OFF position. Program the remote receiver to LEARN a new security code by pushing in the LEARN button on the top of the remote receiver and then pressing the MODE button on the transmitter. A change in the beeping pattern, at the receiver, indicates the transmitter's code has been programmed into the receiver. When an existing receiver is matched to a new transmitter, the new security code will override the old one.

The microprocessor that controls the security code matching procedure is controlled by a timing function. If you are unsuccessful in matching the security code on the first attempt, wait 1-2 minutes before trying again – this delay allows the microprocessor to reset its timer circuitry – and try up to two or three more times.

BATTERY LIFE

Life expectancy of the alkaline batteries in the transmitter should be at least 12 months. Check and replace all batteries annually. When the transmitter no longer operates the remote receiver from a distance it did previously (i.e., the transmitter's range has decreased) or the remote receiver does not function at all, the batteries should be checked. It is important that the remote receiver batteries are fully charged and provides continuous output voltage of a least 5.3 volts. The length of the wire between the remote receiver and gas valve directly affects the operating performance of the remote system. The longer the wire, the more battery power is required to deliver signals between the remote receiver and the gas valve. Recommended length is no longer than 20 feet. The transmitter should operate with as little as 5.0 volts battery power.

TROUBLE SHOOTING

If you encounter problems with your fireplace system, the problem may be with the fireplace itself or it could be with the ECS remote. Review the fireplace manufacturer's operation manual to make sure all connections are properly made. Then check the operation of the ECS remote in the following manner:

- Make sure the batteries are correctly installed in the RECEIVER. One reversed battery will keep receiver from operating properly.
- Check battery in Transmitter to make sure contacts are touching (+) and (-) ends of battery. Bend metal contacts in for tighter fit.
- Be sure RECEIVER and Transmitter are within 20'-25' operating range.
- Keep RECEIVER from temperatures exceeding 130° F. Battery life shortened when ambient temperatures are above 130° F.
- If RECEIVER is installed in tightly enclosed metal surround, the operating distance will be shortened.

SPECIFICATIONS

BATTERIES: Transmitter 12V (A23)

Remote Receiver 6V - 4ea. AA1.5 Alkaline FCC ID No.'s: transmitter - K9L1002TX; receiver - K9L3001RX

Operating Frequency: 303.875MHZ Canadian ISC ID No.'s: transmitter - 2439 102 728; receiver - 2439 102 728A

FCC REQUIREMENTS

NOTE: THE MANUFACTURER IS NOT RESPONSIBLE FOR ANY RADIO OR TV INTERFERENCE CAUSED BY UNAUTHORIZED MODIFICATIONS TO THIS EQUIPMENT. SUCH MODIFICATIONS COULD VOID THE USER'S AUTHORITY TO OPERATE THE EQUIPMENT.

Limited Warranty

This REMOTE CONTROL SYSTEM is warranted for 12 months from the date of purchase or installation to the original purchaser to be free from defects in materials and workmanship. Damage to the SYSTEM caused by accident, misuse, abuse, or installation error whether performed by a contractor, service company, or owner, is not covered by this warranty. Seller will not be responsible for labor charges and/or damage incurred in installation, repair, replacement or for incidental or consequential damages. Batteries and any damage caused by them are not covered by this warranty. Some states, provinces, and nations do not allow exclusion or limitations of incidental or consequential damages, so the above limitations or exclusions may not apply. This warranty gives you specific legal rights. You may have other rights that vary by state, province or nation.

MANUFACTURED EXCLUSIVELY BY SKYTECH II, INC.

REMOTE ON/OFF RECEIVER INSTALLATION INSTRUCTIONS

INSTRUCTIONS MUST BE LEFT WITH THE OWNER FOR FUTURE REFERENCE AFTER INSTALLATION.

Attention: Velcro loop and hook are not necessary for all installations.

Remote ON/OFF Receiver - Cast Iron Series

Use the following steps to attach the remote receiver to the cast iron stoves:

1. Attach, from left to right, the slide-on cover plate onto the remote receiver. ON will be to the top and OFF will be to the bottom on the slideon cover plate.
2. Push the receiver slide button onto the receiver slide switch. Reverse installation of the slide button if it is off center.
3. Attach velcro loop on the left side of the valve cover support.
4. Attach velcro hook onto remote receiver. The word TOP on the remote receiver should be to the top when installed onto valve cover support.
5. Attach velcro hook on remote receiver onto velcro loop on valve cover support.

Remote ON/OFF Receiver - Direct Vent Fireplaces and Vent-Free Fireplaces

Use the following steps to place the remote receiver in the bottom of the inner casing assembly, adjacent to the gas valve.

1. The remote receiver can not be placed behind the gas valve.
2. When facing the appliance, the remote receiver must be placed to the right of the gas valve.

Remote ON/OFF Receiver - Vent-Free Log Sets (Millivolt System)

Use the following steps to place the remote receiver adjacent to the gas valve.

1. The remote receiver can not be placed behind the gas valve and burner assembly.
2. When facing the appliance, the remote receiver can be placed to the right of the gas valve and burner assembly or under burner pan left of gas valve.

Remote ON/OFF Receiver - DV-210 and DV-215

Attention: Do not install remote receiver inside furnace.

Use the following steps to attach remote receiver.

1. Attach remote receiver at bottom of either side on outer casing.
2. If furnace is installed high enough above floor, attach remote receiver on the underside of furnace.

Remote ON/OFF Receiver - DV-25 and DV-35

Attention: Do not install remote receiver inside furnace.

Use the following step to attach remote receiver.

- 1 Attach remote receiver to the underside of the furnace, adjacent to the right of piezo ignitor.

Remote ON/OFF Receiver - DVC-35, DV-55, FAW-40 and FAW-55

Use the following step to attach remote receiver.

1. Attach remote receiver in the interior, bottom of furnace, adjacent to gas valve.

Remote ON/OFF Receiver - GWT-25, GWT-35 and GWT-50

Use the following step to attach remote receiver.

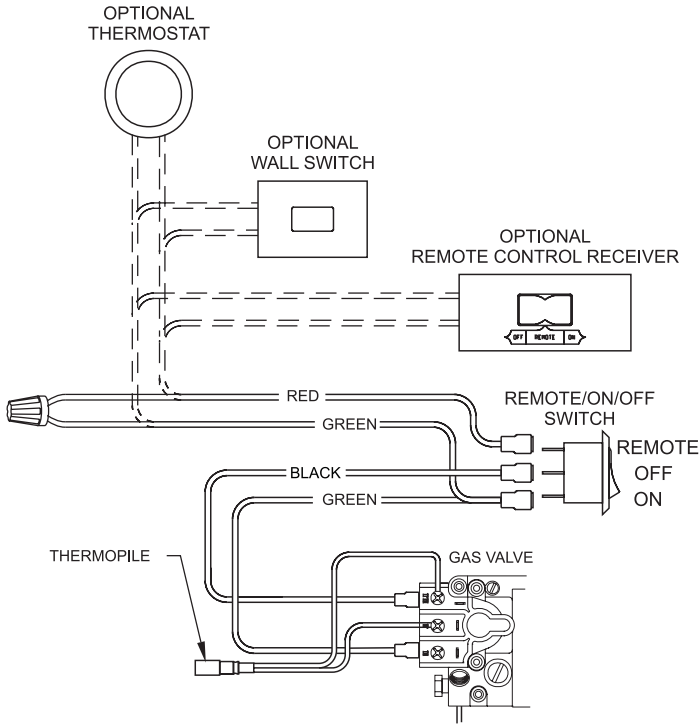
1. Attach remote receiver to wall sill or floor plate.

Remote ON/OFF Receiver - DV-20E, DV-40E and DV-55E

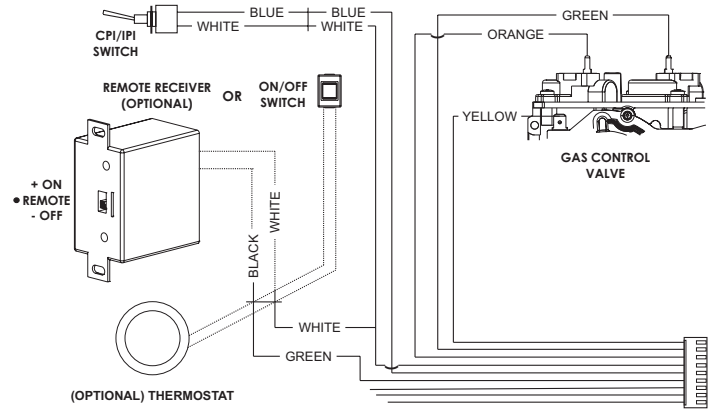
Use the following step to attach remote receiver.

1. Attach remote receiver in the interior of the furnace, adjacent to the right of pressure switch.

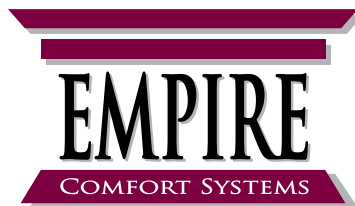
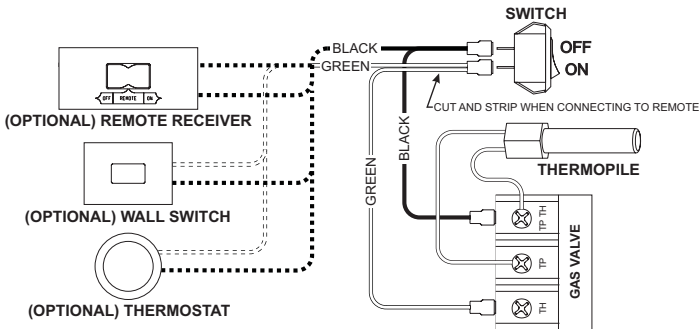
STANDING PILOT WIRING DIAGRAMS FOR MILLIVOLT SYSTEMS ON FIREPLACES



INTERMITTANT PILOT WIRING



FOR "STAND ALONE" BURNERS



SINCE 1932

www.empirecomfort.com

Empire Comfort Systems Inc.
Belleville, IL

If you have a general question about our products, please e-mail us at info@empirecomfort.com.

If you have a service or repair question, please contact your dealer.

SI VOUS NE POUVEZ PAS LIRE OU COMPRENDRE CES INSTRUCTIONS D'INSTALLATION, NE TENTEZ PAS D'UTILISER OU DE FAIRE FONCTIONNER CE SYSTÈME

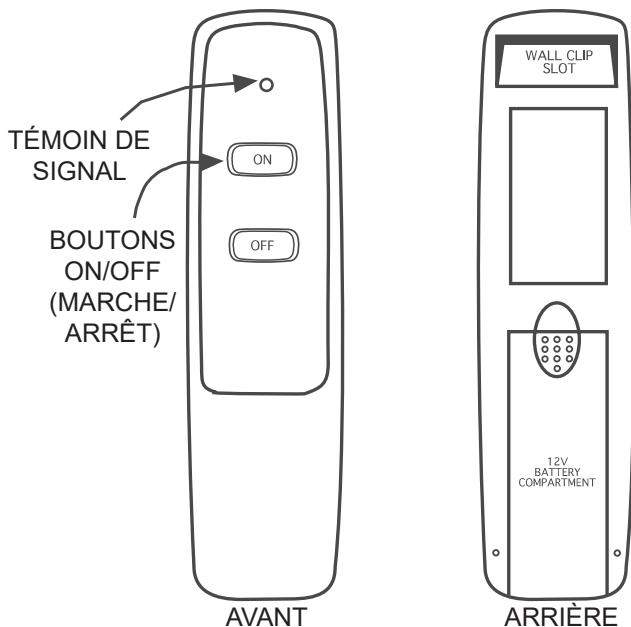
INTRODUCTION

Ce système de télécommande ECS a été développé pour offrir un système de télécommande sécuritaire, fiable et convivial pour les appareils de chauffage au gaz.

Il est possible de faire fonctionner manuellement ce système à partir de l'émetteur. Le système fonctionne à l'aide de l'un des 255 codes de sécurité programmés en usine dans l'émetteur.

L'émetteur fonctionne à l'aide d'une pile de 12 V (incluse) fabriquée spécialement pour les télécommandes et les allumeurs électroniques. Poser la pile de 12 V qui accompagne l'appareil dans le compartiment à pile.

ÉMETTEUR



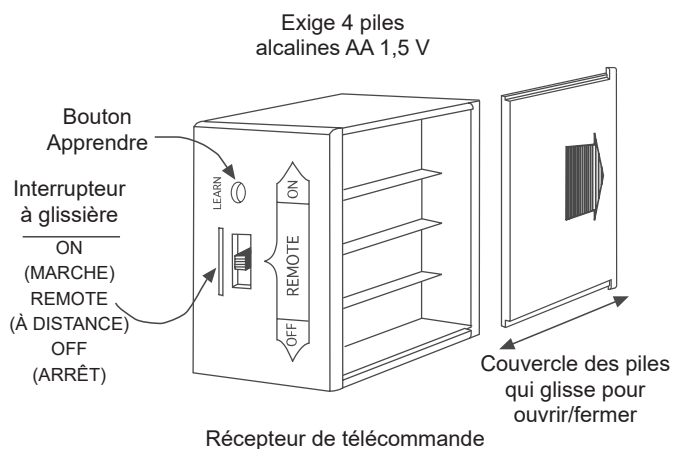
Il est recommandé de toujours utiliser des piles ALCALINES pour une durée de vie plus longue des piles et une performance maximale de fonctionnement.

L'émetteur comporte des fonctions ON (MARCHE) et OFF (ARRÊT) qui sont activées en appuyant sur un des boutons sur le devant de l'émetteur. Lorsqu'un bouton de l'émetteur est enfoncé, un témoin de l'émetteur s'illumine brièvement pour vérifier l'émission d'un signal. Lors de l'utilisation initiale, il peut y avoir un délai de trois secondes avant que le récepteur de télécommande réponde à l'émetteur. Cela fait partie du design du système. Si le témoin ne s'illumine pas, vérifiez la position des batteries du transmetteur.

RÉCEPTEUR DE TÉLÉCOMMANDE

Le récepteur de télécommande fonctionne avec 4 piles AA 1,5 V. Il est recommandé d'utiliser des piles ALCALINES pour une durée de vie plus longue de la pile et une performance maximale du microprocesseur. **IMPORTANT** : Des piles neuves ou complètement chargées sont essentielles au bon fonctionnement du récepteur de télécommande.

Le récepteur de télécommande abrite le microprocesseur qui répond aux commandes de l'émetteur pour contrôler le fonctionnement du système. Le récepteur de télécommande comporte un interrupteur à glissière à 3 positions pour sélectionner le MODE de fonctionnement : ON (MARCHE) / REMOTE (À DISTANCE) / OFF (ARRÊT)



- Lorsque l'interrupteur à glissière est en position ON (MARCHE) (vers le bouton LEARN [APPRENDRE]), le système fonctionne jusqu'à ce que l'interrupteur à glissière soit placé en position OFF (ARRÊT) ou REMOTE (À DISTANCE).
- Lorsque l'interrupteur à glissière est en position REMOTE (À DISTANCE) (centré), le système ne fonctionne que si le récepteur de télécommande reçoit des commandes de l'émetteur.
- Lorsque l'interrupteur à glissière est en position OFF (ARRÊT) (éloigné du bouton LEARN [APPRENDRE]), le système est arrêté.
- Il est suggéré de placer l'interrupteur à glissière en position arrêt si vous prévoyez être absent de votre maison pour une période de temps prolongée. Si le récepteur de télécommande est installé hors de la portée des enfants, placer l'interrupteur à glissière à la position OFF (ARRÊT) fonctionne aussi comme un « verrouillage » de sécurité en arrêtant le système et en rendant le récepteur de télécommande inopérant.

INSTRUCTIONS D'INSTALLATION

⚠ AVERTISSEMENT

Ce système de télécommande doit être posé exactement comme l'exigent les présentes instructions. Lire complètement toutes les instructions avant de tenter d'effectuer l'installation. Suivre attentivement les instructions au cours de l'installation. Toutes modifications à la télécommande ECS ou à l'un de ses composants annule la garantie et pose un danger d'incendie.

Ne pas raccorder une soupape de gaz ou un module directement à l'alimentation de 110-120 V CA. Consulter les instructions du fabricant de l'appareil à gaz et les schémas de câblage pour connaître la disposition de tous les fils. Tous les modules électroniques doivent être câblés conformément aux spécifications du fabricant.

Les schémas de câblage suivants ne doivent servir qu'à titre d'illustration. Suivre les instructions du fabricant de la soupape de gaz ou du module électronique pour connaître les procédures correctes de câblage. Une mauvaise installation des composants électroniques peut endommager le module électronique, la soupape de gaz et le récepteur de télécommande.

INSTALLATION

Le récepteur de télécommande peut être monté au mur dans un boîtier standard en plastique de commutateur ou placé sur ou près de l'âtre du foyer. Il est préférable de monter le récepteur de télécommande au mur dans un boîtier en plastique de commutateur, car cela protège les composants électroniques de la chaleur produite par l'appareil au gaz et des dommages ou abus potentiels qui peuvent se produire lorsque le récepteur est laissé sur l'âtre du foyer. LA PROTECTION CONTRE UNE CHALEUR EXTRÊME EST TRÈS IMPORTANTE. Comme toute pièce d'équipement électronique, le récepteur de télécommande doit être gardé éloigné de températures supérieures à 130 °F (54 °C) dans le boîtier du récepteur. La durée de vie de la pile est aussi raccourcie significativement si les piles sont exposées à des températures élevées.

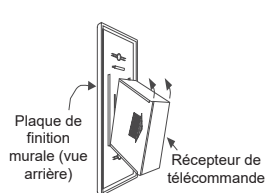
S'assurer que le commutateur du récepteur de télécommande est en position OFF (ARRÊT). Il est recommandé d'utiliser du fil de calibre 18 solide ou multibrin (non compris) pour effectuer les connexions entre le bloc de terminaison de câblage sur la soupape de gaz Millivolt ou le module électronique et les fils de terminaison sur le récepteur de télécommande. Pour obtenir de meilleurs résultats, utiliser un fil solide ou multibrin de calibre 18, sans épissures et mesurant 20 pi (6 m) au plus.

MONTAGE AU MUR

Poser 4 piles ALCALINES AA de 1,5 V dans le récepteur de télécommande. Pour obtenir de meilleurs résultats, les piles du récepteur de télécommande doivent être fraîches lors de leur pose. Il faut très peu de puissance de la pile pour faire fonctionner le récepteur de télécommande, mais les composants électroniques sont syntonisés pour fonctionner mieux avec un débit de pile supérieur à 5,3 volts. Quatre piles AA neuves devraient fournir une tension de sortie de 6,0 à 6,2 volts. **S'assurer que les piles sont posées avec les extrémités (+) et (-) faisant face dans le bon sens.**

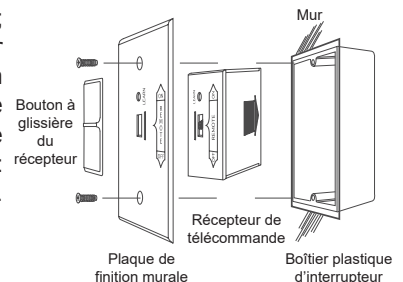
FIXER LE COUVERCLE SUR LE BOÎTIER DU RÉCEPTEUR

Positionner le récepteur selon l'illustration du schéma à gauche, la patte inférieure du couvercle insérée dans la rainure du récepteur. (S'assurer que le trou LEARN (APPRENDRE) du couvercle est bien aligné avec le récepteur de télécommande.) Tirer le récepteur vers le haut et l'encliqueter dans la patte supérieure du couvercle.



Positionner le couvercle de manière que le mot ON face face vers le dessus; puis installer le récepteur de télécommande dans le boîtier d'interrupteur en plastique à l'aide des deux longues vis fournies. Pousser sur le bouton blanc recouvrant l'interrupteur à glissière seulement après s'être assuré que le récepteur de télécommande a APPRIS le code de sécurité de l'émetteur (voir JUMELAGE DES CODES DE SÉCURITÉ). REMARQUE : Le bouton blanc recouvre le trou Learn (Apprendre) lorsqu'il est bien posé.

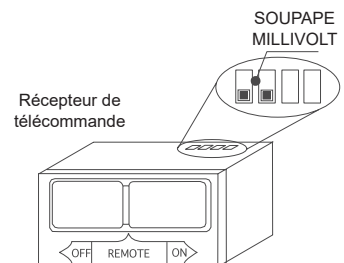
REMARQUE : Le récepteur de télécommande ne répond à l'émetteur que lorsque le bouton à glissière à 3 positions sur le récepteur est en position REMOTE (À DISTANCE). Si le système ne répond pas à l'émetteur lors de l'utilisation initiale, voir JUMELAGE DES CODES DE SÉCURITÉ et vérifier à nouveau les positions des piles dans le récepteur de télécommande.



MONTAGE SUR L'ÂTRE

Le récepteur de télécommande peut être placé sur l'âtre du foyer ou sous le foyer, à l'arrière du panneau d'accès de commande. Le positionner où la température ambiante à l'intérieur du récepteur ne dépasse pas 130 °F (54 °C).

REMARQUE : Le bouton à glissière noir est utilisé pour les applications de montage sur âtre.



INSTRUCTIONS DE CÂBLAGE

Un électricien ou un technicien de gaz compétent et connaissant les appareils et les soupapes de gaz qui fonctionneront à l'aide de cette télécommande devrait installer le système de télécommande. Des connexions de câblage erronées CAUSERONT des dommages à la soupape de gaz ou au module électronique qui fait fonctionner l'appareil à utilisation du gaz et aussi endommager le récepteur de télécommande.

CÂBLAGE DES SOUPAPES MILLIVOLT

Le récepteur de télécommande est raccordé à la soupape Millivolt qui utilise les bornes TH (thermostat) sur le bloc de branchement de la soupape de gaz Millivolt.

Raccorder les fils solides ou multibrins de calibre 18 du récepteur de télécommande à la soupape de gaz.

Le fonctionnement du récepteur de télécommande est semblable à celui du thermostat car tous les deux mettent en marche et arrêtent la soupape de gaz à l'aide de signaux d'entrée. Les signaux d'entrée d'un thermostat sont constitués par les différentes températures. Les signaux d'entrée du récepteur de télécommande proviennent de l'émetteur.

Raccorder chacun des deux fils qui partent des bornes TH sur la soupape de gaz Millivolt vers l'une des deux bornes sur le récepteur de télécommande. Normalement, cela ne fait aucune différence lequel des fils se rend à quelle borne.

Pour l'installation sur des produits de Empire Comfort Systems, voir la page 6.

Le récepteur de télécommande peut être raccordé en série à un transformateur de 24 V CA à la borne TR (transformateur) sur le MODULE ÉLECTRONIQUE. Raccorder le fil chargé du transformateur de 24 V CA à l'une des bornes sur le récepteur de télécommande. Raccorder un autre fil (non inclus) entre l'autre borne du récepteur et la borne TH (thermostat) sur le MODULE ÉLECTRONIQUE.

Vérification Système

SOUPAPES MILLIVOLT

Allumer l'appareil à gaz en suivant les instructions d'allumage qui accompagnent l'appareil. Confirmer que la flamme de la veilleuse est allumée; elle doit fonctionner pour que la soupape de gaz principal fonctionne.

- Faire glisser le bouton à 3 positions sur le récepteur de télécommande à la position ON (MARCHE). La flamme principale de gaz doit s'allumer.
- Faire glisser le bouton à OFF (ARRÊT). La flamme doit s'éteindre (la flamme de la veilleuse demeure allumée).
- Faire glisser le bouton à REMOTE (À DISTANCE) (la position du centre), puis appuyer sur le bouton ON (MARCHE) sur l'émetteur pour faire passer le système à ON (MARCHE). La flamme principale de gaz doit s'allumer.

SYSTÈMES D'ALLUMAGE ÉLECTRONIQUE

- Faire glisser le bouton à 3 positions sur le récepteur de télécommande à la position ON (MARCHE). L'électrode d'étincelle devrait commencer à allumer la veilleuse (la veilleuse peut s'allumer après une seule étincelle). Après que la flamme de la veilleuse se soit allumée, la soupape de gaz principal doit s'ouvrir et la flamme principale du gaz s'allumer.
- Faire glisser le bouton à OFF (ARRÊT). La flamme de gaz principale et la flamme de la veilleuse doivent s'éteindre TOUTES DEUX.
- Faire glisser le bouton à REMOTE (À DISTANCE) (la position du centre), puis appuyer sur le bouton ON (MARCHE) sur l'émetteur pour faire passer le système à ON (MARCHE). L'électrode d'étincelle doit commencer à produire des étincelles pour allumer la veilleuse. Après que la veilleuse se soit allumée, la soupape de gaz principale doit s'ouvrir et la flamme principale du gaz s'allumer.

Informations Générales

JUMELAGE DES CODES DE SÉCURITÉ

Chaque émetteur peut utiliser un des 255 codes de sécurité uniques. Il peut être nécessaire de programmer le récepteur de télécommande pour APPRENDRE le code de sécurité de l'émetteur lors de l'utilisation initiale, si les piles sont remplacées, ou si un émetteur de remplacement est acheté de votre fournisseur ou de l'usine. Lors du jumelage des codes de sécurité, s'assurer que le bouton à glissière sur le récepteur soit en position REMOTE (À DISTANCE); le code N'APPRENDRA PAS si l'interrupteur à glissière est en position ON (MARCHE) OU OFF (ARRÊT). Programmer le récepteur de télécommande pour APPRENDRE un nouveau code de sécurité en appuyant sur le bouton LEARN (APPRENDRE) sur le dessus du récepteur de télécommande puis en appuyant sur le bouton MODE sur l'émetteur. Un changement dans la composition des bips, au niveau du récepteur, indique que le code de l'émetteur a été programmé dans le récepteur. Lorsqu'un récepteur existant est jumelé à un nouvel émetteur, le nouveau code de sécurité effacera l'ancien.

Le microprocesseur qui commande la procédure de jumelage du code de sécurité est commandé par une fonction de temporisation. Si la séquence de jumelage du code de sécurité a échoué à la première tentative, attendez 1 à 2 minutes avant de réessayer - ce délai permet au microprocesseur de réinitialiser l'ensemble de circuits - et réessayer jusqu'à deux ou trois fois.

DURÉE DE VIE DES

La durée de vie des piles alcalines dans l'émetteur devrait être au moins 12 mois. Vérifier et remplacer les piles annuellement. Lorsque l'émetteur ne fait plus fonctionner le récepteur de télécommande à partir d'une distance usuelle (par ex. la portée de l'émetteur a diminuée) ou que le récepteur de télécommande ne fonctionne plus du tout, toutes les piles doivent être vérifiées. Il est important que les piles du récepteur de télécommande soient complètement chargées et fournissent une tension de sortie continue d'au moins 5,3 volts. La longueur du câble entre le récepteur de télécommande et la soupape de gaz affecte directement la performance du système à distance. Plus le câble est long, plus la pile a besoin de puissance pour transmettre les signaux entre le récepteur de télécommande et la soupape de gaz. La longueur recommandée est d'au plus 20 pi (6 m). L'émetteur doit pouvoir fonctionner avec une puissance de pile aussi faible que 5,0 volts.

DÉPANNAGE

Si vous avez des problèmes avec votre foyer, le problème peut être le foyer lui-même ou la télécommande ECS. Réviser le manuel de fonctionnement du fabricant du foyer pour vous assurer que toutes les connexions sont bien faites. Puis vérifier le fonctionnement de la télécommande ECS de la façon suivante :

- S'assurer que les piles sont posées correctement dans le RÉCEPTEUR. Une pile inversée empêchera le récepteur de fonctionner correctement.
- Vérifier la pile dans l'émetteur pour s'assurer que les contacts touchent les extrémités (+) et (-) de la pile. Plier les contacts de métal pour un meilleur ajustement.
- S'assurer que le RÉCEPTEUR et l'émetteur sont à portée de fonctionnement, soit de 20 à 25 pi (6 à 7,6 m).
- Garder le RÉCEPTEUR à des températures inférieures à 130 °F (54 °C). La durée de vie des piles sera réduite lorsque les températures ambiantes sont supérieures à 130 °F (54 °C).
- Si le RÉCEPTEUR est entouré complètement de métal, la distance de fonctionnement sera réduite.

SPÉCIFICATIONS

PILES : Émetteur 12 V (A23)

Récepteur de télécommande 6 V – 4 ch. AA 1,5 alcaline FCC ID n° : émetteur - K9L1002TX; récepteur - K9L3001RX

Fréquence de fonctionnement : 303,875 MHz ISC Canada ID n° : émetteur - 2439 102 728; récepteur - 2439 102 728A

EXIGENCES FCC

REMARQUE : LE FABRICANT N'EST PAS RESPONSABLE DE TOUTE INTERFÉRENCE RADIO OU TÉLÉVISÉE CAUSÉE PAR DES MODIFICATIONS NON-AUTORISÉES À CET ÉQUIPEMENT. DE TELLES MODIFICATIONS POURRAIENT ANNULER L'AUTORISATION DE L'UTILISATEUR À UTILISER CET ÉQUIPEMENT.

Garantie limitée

Ce SYSTÈME TÉLÉCOMMANDÉ est garanti à l'acheteur d'origine pour une période de 12 mois à compter de la date d'achat ou d'installation contre tous vices dans les matériaux ou la main-d'œuvre. Les dommages causés au SYSTÈME par accident, mauvaise utilisation abus ou erreur d'installation par un entrepreneur, une société d'entretien ou le propriétaire ne sont pas couverts par la garantie. Le vendeur n'est pas responsable des frais de min-d'œuvre et/ou des dommages occasionnés par l'installation, la réparation, le remplacement ou les dommages indirects ou accessoires. Les piles ainsi que tous dommages causés par ces dernières ne sont pas couverts par la garantie.

Certains états, provinces et pays ne permettent pas l'exclusion ou les limitations des dommages indirects ou accessoires; les limites ci-dessus peuvent donc ne pas s'appliquer. Cette garantie vous donne des garanties juridiques particulières. Vous pouvez avoir d'autres droits qui varient d'un état, d'une province ou d'un pays à l'autre.

FABRIQUÉ EXCLUSIVEMENT PAR SKYTECH II, INC.

RÉCEPTEUR ON/OFF (MARCHE/ARRÊT) À DISTANCE

INSTRUCTIONS D'INSTALLATION

LE MODE D'EMPLOI DOIT ÊTRE LAISSÉ AU PROPRIÉTAIRE POUR TOUTE CONSULTATION ULTÉRIEURE APRÈS L'INSTALLATION.

Attention : Les bandes Velcro ne sont pas nécessaires pour toutes les installations.

Récepteur ON/OFF à distance - Série en fonte

Utilisez les étapes suivantes pour fixer le récepteur de télécommande à des poêles en fonte :

1. Faire glisser, de gauche à droite, le couvercle amovible sur le récepteur de la télécommande. ON (MARCHE) se trouve en haut et OFF (ARRÊT) se trouve au bas du couvercle amovible.
2. Appuyer sur le bouton à glissière du commutateur sur le récepteur. Inverser la pose du bouton à glissière s'il est décentré.
3. Fixer une bande Velcro sur le côté gauche du support du couvercle de la soupape.
4. Fixer une bande Velcro sur le récepteur de télécommande. Le mot TOP (DESSUS) sur le récepteur de télécommande doit être sur la partie supérieure quand il est posé sur le support du couvercle de la soupape.
5. Fixer une bande Velcro sur le récepteur de télécommande sur le support du couvercle de la soupape.

Récepteur ON/OFF à distance - Foyers à raccordement direct et foyers non raccordés

Utilisez les étapes suivantes pour placer le récepteur de télécommande adjacent à la soupape de gaz.

1. Le récepteur de télécommande ne peut être placé derrière l'assemblage de la soupape de gaz et du brûleur.
2. Lorsque vous faites face à l'appareil, le récepteur de télécommande doit être placé à la gauche de la soupape de gaz.

Récepteur ON/OFF à distance - Bûchers non raccordés (Système Millivolt)

Utilisez les étapes suivantes pour placer le récepteur de télécommande adjacent à la soupape de gaz.

1. Le récepteur de télécommande ne peut être placé derrière l'assemblage de la soupape de gaz et du brûleur.
2. En faisant face à l'appareil, le récepteur de télécommande peut être placé à droite de l'ensemble de la soupape de gaz et du brûleur ou sous le support du brûleur, à gauche de la soupape de gaz.

Récepteur ON/OFF à distance - DV-210 et DV-215

Attention : Ne pas installer le récepteur de télécommande dans l'appareil de chauffage.

Utiliser les étapes suivantes pour fixer le récepteur de télécommande :

1. Fixer le récepteur de télécommande à l'un des côtés inférieurs de l'enveloppe extérieure.
2. Si l'appareil de chauffage est installé assez haut au-dessus du plancher, fixer le récepteur de télécommande à l'intérieur de l'appareil.

Récepteur ON/OFF à distance - DV-25 et DV-35

Attention : Ne pas installer le récepteur de télécommande dans l'appareil de chauffage.

Utiliser l'étape suivante pour fixer le récepteur de télécommande.

1. Fixer le récepteur de télécommande sous l'appareil de chauffage, adjacent à la droite de l'allumeur piézo-électrique.

Récepteur ON/OFF à distance - DVC-35, DV-55, FAW-40 et FAW-55

Utiliser l'étape suivante pour fixer le récepteur à distance.

1. Fixer le récepteur de télécommande à l'intérieur, au bas de l'appareil de chauffage, adjacent à la soupape de gaz.

Récepteur ON/OFF à distance - GWT-25, GWT-35 et GWT-50

Utiliser l'étape suivante pour fixer le récepteur de télécommande.

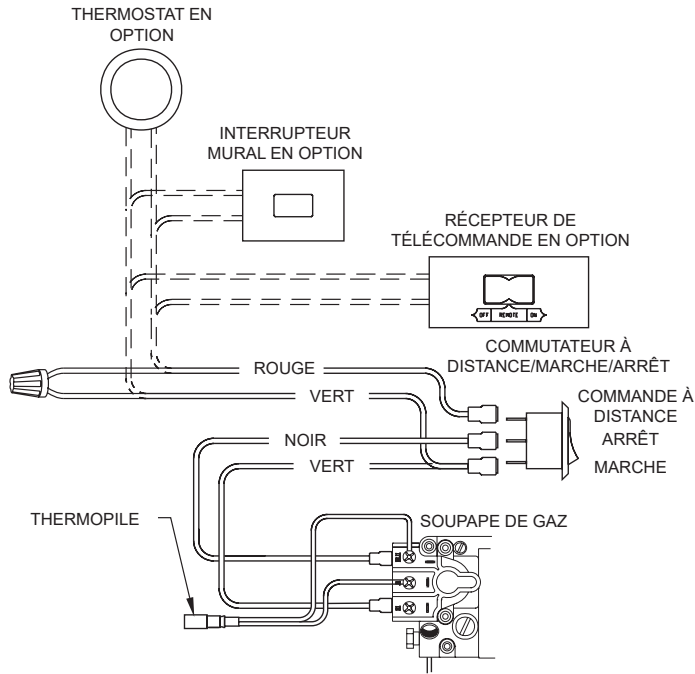
1. Fixer le récepteur de télécommande à l'appui du mur ou à la plaque de plancher.

Récepteur ON/OFF à distance - DV-20E, DV-40E et DV-55E

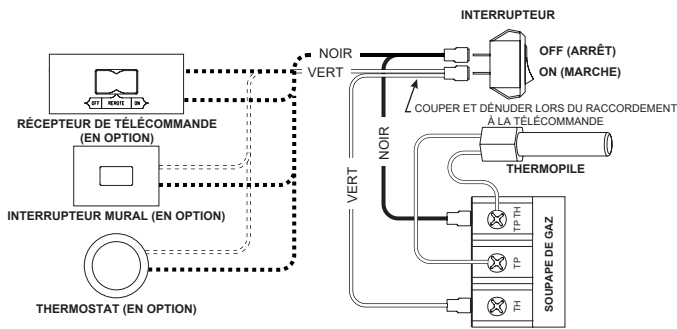
Utiliser l'étape suivante pour fixer le récepteur de télécommande.

1. Fixer le récepteur de télécommande à l'intérieur de l'appareil de chauffage, adjacent à la droite du manostat.

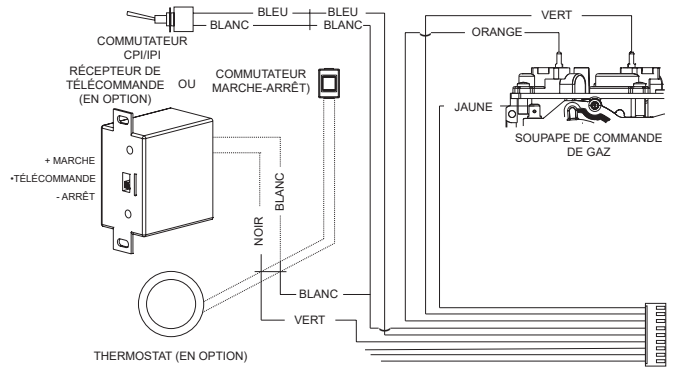
SCHÉMAS DE CÂBLAGE DE LA VEILLEUSE PERMANENTE POUR SYSTÈMES MILLIVOLT SUR FOYERS



POUR BRÛLEURS AUTONOMES



CÂBLAGE DE LA VEILLEUSE À ALLUMAGE INTERMITTENT



SINCE 1932

www.empirecomfort.com

Empire Comfort Systems Inc.
Belleville, Illinois

Pour toute question générale concernant nos produits, veuillez nous envoyer un courriel à info@empirecomfort.com.

Pour toute question d'entretien ou de réparation, veuillez contacter votre revendeur.