

## INSTALLER:

Leave this manual with the appliance.

## CONSUMER:

Retain this manual for future reference.

### ⚠ WARNING

#### FIRE OR EXPLOSION HAZARD

Failure to follow safety warnings exactly could result in serious injury, death or property damage.

- Do not store or use gasoline or other flammable vapors and liquids in the vicinity of this or any other appliance.
- **WHAT TO DO IF YOU SMELL GAS**
  - Do not try to light any appliance.
  - Do not touch any electrical switch; do not use any phone in your building.
  - Leave the building immediately.
  - Immediately call your gas supplier from a neighbor's phone. Follow the gas supplier's instructions.
  - If you cannot reach your gas supplier, call the fire department.
- Installation and service must be performed by a qualified installer, service agency or the gas supplier.

## DIRECT VENT ZERO CLEARANCE GAS FIREPLACE HEATER MODEL SERIES:

### MULTIFUNCTION

### REMOTE (MF)

DVLL72BP90(N,P)-2

UL FILE NO. MH30033



### ⚠ WARNING

If not installed, operated and maintained in accordance with the manufacturer's instructions, this product could expose you to substances in fuel or from fuel combustion which can cause death or serious illness.

This appliance may be installed in an aftermarket, permanently located, manufactured home (USA only) or mobile home, where not prohibited by local codes. This appliance is only for use with the type of gas indicated on the rating plate. This appliance is not convertible for use with other gases, unless a certified kit is used.

## ⚠ WARNING



**HOT GLASS WILL  
CAUSE BURNS.  
DO NOT TOUCH GLASS  
UNTIL COOLED.  
NEVER ALLOW CHILDREN  
TO TOUCH GLASS.**

A barrier designed to reduce the risk of burns from the hot viewing glass is provided with this appliance and shall be installed for the protection of children and other at-risk individuals.

**NATIONAL  
FIREPLACE  
INSTITUTE**



**CERTIFIED**  
[www.nficertified.org](http://www.nficertified.org)

We suggest that our gas hearth products be installed and serviced by professionals who are certified in the U.S. by the National Fireplace Institute® (NFI) as NFI Gas Specialists.

**NOTICE:** Barrier required.

# BEFORE YOU START

## SAMPLE WARNINGS AND DEFINITIONS:

### DANGER

Indicates a hazardous situation which, if not avoided, will result in death or serious injury.

### WARNING

Indicates a hazardous situation which, if not avoided, could result in death or serious injury.

### CAUTION

Indicates a hazardous situation which, if not avoided, could result in minor or moderate injury.

**NOTICE:** Addresses practices not related to personal injury.

1. Read the safety information on pages 57 - 58.
2. If located in the Commonwealth of Massachusetts, please note the special requirements on page 59.
3. Are you going to install a blower into the fireplace? See pages 8 - 10.
4. Where are you going to install the fireplace? See page 13.
5. Frame the opening. See page 20.
6. Install the gas lines. See pages 16 - 17.
7. Install the wiring. See pages 18 - 19.
8. Install the venting. See pages 26 - 35.
9. Install the fireplace. See pages 20 - 25.
10. Install the remote system. See pages 40 - 46.
11. Liner requirements. See page 38.
12. Install the glass media. See page 39.
13. Light the fireplace and troubleshoot. See page 47.
14. Show the homeowner how to operate the fireplace.
15. Show the homeowner how to do the basic maintenance.

## UNPACKING THE FIREPLACE

1. Remove crate boards as needed using a screw gun to remove wood screws.
2. Remove top hand-bent top brackets (2) securing the long 2 x 4 board. Remove the 2 x 4 board and corner posts.
3. Remove non-combustible boards and heatshield from pallet and set aside.

4. Lift fireplace off of the pallet.
5. Verify that the fireplace and components have not been damaged during shipping.
6. Set fireplace in a location near to its final installation location.

## INSTALLATION CONSIDERATIONS - FIREPLACE INSTALLATION GUIDELINES

When planning a fireplace installation, it's necessary to determine:

- Gas supply piping (right side entrance).
- Electrical supply requirements (120V, 60Hz, 1 Amp) (right side entrance)
- DVLL72BP models include the factory installed LED Light assembly.
- Proper opening size of framing required for installation of the fireplace. The framing of the fireplace will determine how the fireplace finishing materials will be applied. Refer to the installation information on pages 20 to 23.
- The blower kit is easier to install at the time of fireplace installations. See blower installation section on pages 8 to 10.

In planning the installation for the fireplace, determine where the fireplace is to be installed and whether optional accessories are desired. Gas supply piping should also be planned at this time. The fireplace can be mounted on any of these surfaces:

1. A flat hard combustible or non-combustible surface.
2. A raised platform of combustible or non-combustible material.

If the fireplace is installed directly on carpeting, tile or other combustible material other than wood flooring, it should be installed on a metal or wood panel extending the full width and depth of the fireplace.

The fireplace is designed to be installed in a zero-clearance enclosure. This means that combustible materials must be located at clearances specified or provided by standoffs or spacers attached to the fireplace.

Combustible materials can come in contact with the nailing flanges provided.

# HOMEOWNER REFERENCE INFORMATION

Record the following information about your fireplace.

Model: \_\_\_\_\_

Date purchased/installed: \_\_\_\_\_

Serial Number: \_\_\_\_\_

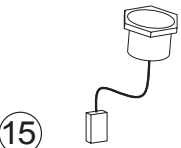
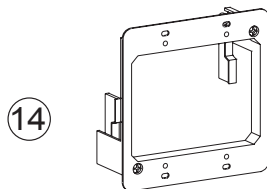
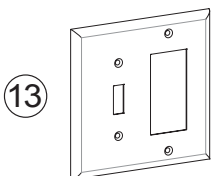
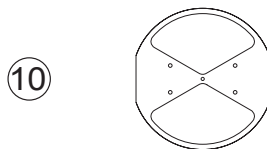
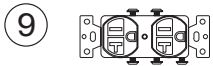
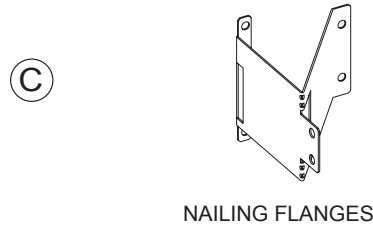
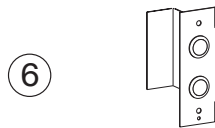
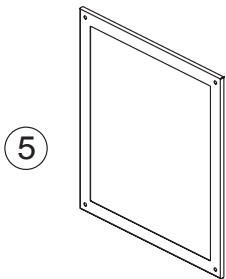
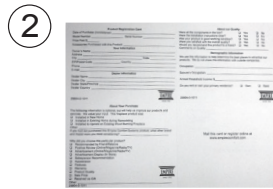
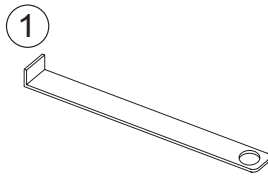
Location on fireplace: \_\_\_\_\_

Dealership: \_\_\_\_\_

Dealer Phone: \_\_\_\_\_

Notes: \_\_\_\_\_

# CARTON CONTENTS & HARDWARE PACK



Items not shown to scale.

INDEX NUMBER	DESCRIPTION	PART NO.	QUANTITY SUPPLIED
1	Door Removal Tool (attached to fireplace)	35978	1
2	Product Registration Card	29804	1
3	AA Battery	B076529	4
4	AAA Battery	R10600	3
5	Wall Thimble Spacer (attached to fireplace)	33331	1
6	Mounting Bracket	36827	1
7	Remote Transmitter	R11550	1
8	Junction Box Cover	R3491	1
9	Duplex Receptacle	R3492	1
10	Flue Restrictor Assembly	34054	1
11	Remote Receiver	R11584	1
12	Bushing, 5/8 DIA	R1536	1
13	Wall Plate	R12296	1
14	Wall Mounted Control Box	R12295	1
15	Button Switch	R11921	2
16	Wire Harness Module To Interface	R11552	1
A	#10 x 1/2 Screw	R2737	22
B	#8 x 1 Self-Drilling Screw*	R11509	15
C	Nailing Flange	28450	4
D	#4 x 3/8 Phillips Pan Head Screw	R12300	4

\* For use in mounting non-combustible board to standoffs.

See Parts Lists on pages 50 for ordering replacement parts. Do not order batteries, bolts, screws, washers or nuts. They are standard hardware items and can be purchased at any local hardware store.

# TABLE OF CONTENTS

SECTION	PAGE
Before You Start.....	2
Homeowner Reference Information.....	2
Carton Contents and Hardware Pack.....	3
Introduction.....	5
Specifications.....	6
Accessories.....	7
FBB20 Blower Installation.....	8 - 10
Fireplace Dimensions.....	11
Clearances.....	12
Optional Fireplace Locations.....	13
Vent Termination Clearances.....	14 - 15
Gas Supply.....	16 - 17
Electrical Connections.....	18 - 19
Installation.....	20 - 25
Vent System Identification.....	26
Venting Fireplace - Top.....	27 - 29
Top Vent - Horizontal Termination.....	30
Top Vent - Vertical Termination.....	31
Vertical Termination.....	32 - 33
DVVK-5F Flex Vent Instructions.....	34 - 35
Framing And Finishing.....	36 - 37
Liner Installation.....	38
Glass Placement.....	39
Multifunction Remote Operating Instructions.....	40 - 46
Lighting Instructions.....	47
Control System Troubleshooting.....	48 - 49
Parts View.....	50
Parts List.....	51
Component Wiring Diagram.....	52
Maintenance And Service.....	53 - 57
Important Safety Information.....	58
Safety Information For Users Of Propane Gas.....	59
Requirements For Massachusetts.....	60
Fireplace Service History.....	61
Master Parts Distributor List.....	62
How To Order Repair Parts.....	62
Warranty.....	63

# INTRODUCTION

## Instructions to Installer

1. Leave instruction manual with owner.
2. Have owner fill out and mail Product Registration Card supplied with the fireplace.
3. Show owner how to start and operate the fireplace.

This direct-vent gas fireplace heater is designed to operate with all combustion air being siphoned from the outside of the building and all exhaust gases expelled to the outside of the building. The information contained in this manual pertains to all models and gas control systems unless otherwise noted.

## Appliance Certification

### WARNING

**This fireplace is not for use with solid fuels. Solid fuels could cause personal injury or property damage.**

This fireplace is design certified in accordance with American National Standard/CSA Standard ANSI Z21.88/CSA 2.33 and by Underwriters Laboratories as a Direct Vent Gas Fireplace Heater and shall be installed according to these instructions.

Consult your local building code agency, prior to installation, to ensure compliance with local codes-including permits and inspections.

The fireplace, when installed, must be electrically grounded in accordance with local codes or, in absence of local codes, with the *National Electric Code ANSI/NFPA 70* or Canadian Electric code, CSA C22.1, if an external electrical source is utilized.

These models may be installed in a bedroom or bed-sitting room in the U.S.A. and Canada.

## Qualified Installing Agency

Installation and replacement of gas piping, gas utilization equipment or accessories and repair and servicing of equipment shall be performed only by a qualified agency. The term "qualified agency" means any individual, firm, corporation or company which either in person or through a representative is engaged in and is responsible for (a) the installation or replacement of gas piping or (b) the connection, installation, repair or servicing of equipment, who is experienced in such work, familiar with all precautions required and has complied with all the requirements of the authority having jurisdiction.

**Commonwealth of Massachusetts:** The installation must be made by a licensed plumber or gas fitter in the Commonwealth of Massachusetts.

### WARNING

**ANY CHANGE TO THIS FIREPLACE OR ITS CONTROLS CAN BE DANGEROUS.**

**Improper installation or use of the fireplace can cause serious injury or death from fire, burns, explosions, or carbon monoxide poisoning.**

The installation must conform with local codes or, in the absence of local codes, with the *National Fuel Gas Code ANSI Z223.1/ NFPA 54\* Natural Gas and Propane Installation Code*, or *CSA B149.1 in Canada*. \*Available from the *American National Standards Institute, Inc. 11 West 42nd St., New York, N.Y. 10036*.

**Any alteration of the original design, installed other than as shown in these instructions or use with a type of gas not shown on the rating plate is the responsibility of the person and company making the change.**

## Important

All correspondence should refer to complete Model Number, Serial Number and type of gas.

## High Altitude

When installing this fireplace at an elevation above 2000 feet (in the United States) it may be necessary to decrease the input rating by changing the existing burner orifice to a smaller size. Generally, input should be reduced 4 percent for each 1000 feet above sea level. However, if the heating value of the gas has been reduced, this general rule may not apply. Check with Empire Comfort Systems for proper orifice size identification.

## Canadian High Altitude

Altitude: 0-4500 feet (0-1370 m)

When installing this fireplace at an elevation above 4500 feet (in Canada), check with Empire Comfort Systems for assistance in determining the proper orifice for location.

## Preparation

This direct vent gas fireplace and its components are tested and safe when installed in accordance with this installation manual. Report to your dealer any parts damaged in shipment, specifically check glass condition. Do not install fireplace with damaged, incomplete, or substitute parts. Read all instructions before starting installation and follow these instructions carefully during installation to insure maximum benefit and safety. Failure to follow them will void your warranty and may present a fire hazard. The warranty will be voided by, and the warranter disclaims any responsibility for the following actions:

- Installation of any damaged fireplace or vent system component.
- Modification of the fireplace or direct vent system.
- Installation other than as instructed by Empire Comfort Systems Inc.
- Improper positioning of the glass door, or decorative accessories including logs, rocks, crushed glass or other approved media.
- Installation and/or use of any component part not manufactured or approved by manufacturer.

## Television Considerations

Installing a television above a fireplace has become increasingly popular; however, the areas above any fireplace gets hot and most TV manufacturers recommend against placing their products near a heat source.

If you install a television above this fireplace insert, Empire Comfort Systems accepts no responsibility for damage or injuries. Follow the television manufacturers installation instructions, including any recommendations regarding proximity to heat sources.

If you have a TV above your fireplace turn off the fireplace and let it cool completely before servicing or touching any buttons on the TV.

# SPECIFICATIONS

	DVLL72BP	
	Natural	Propane
Input BTU/Hr Maximum	52,500	50,000
Input BTU/Hr Minimum	40,000	35,000
KWH (Maximum)	15.23	14.50
KWH (Minimum)	11.60	10.15
Orifice	#26	2.15mm
Air Shutter Opening	1/16-in	Fully Open
Height without standoff	38-5/16	38-5/16
Width	81-in	81-in
Depth	18-5/8-in	18-5/8-in
Gas Inlet Shutoff Valve (pipe)	1/2-in NPT	1/2-in NPT
Vent Size	5 x 8	5 x 8

**NOTICE:** Air shutter settings are factory minimum settings. Some venting configurations may require minor air shutter adjustments for optimum performance.

GAS SUPPLY PRESSURES - (DIMENSIONS IN INCHES WATER COLUMN - W.C.)			
Gas Type	Maximum	Minimum	Manifold
Natural	14	4.5	3.5
Propane	14	11	10

# ACCESSORIES

The following accessory parts can be obtained from your Empire Comfort Systems dealer. Contact your Empire Dealer for more accessory options. If you need additional information beyond what your dealer can furnish, contact Empire Comfort Systems Inc., 918 Freeburg Ave., Belleville, Illinois 62220-2623.

ACCESSORIES		
Description	Accessory Model Number	Color
<b>Fireplace Models</b>	<b>DVLL72BP</b>	
Bronze Ridgeback Liner*	DVP72LPZ	Bronze
Black Glass Liner	DVP72LKR	Gloss Black
Trim Kit - Beveled Black	DF72BL	Black
Trim Kit - Beveled Hammered Pewter	DF72HP	Hammered Pewter
Beveled Window Frame - 2 inches	DF702NB	Nickel Brushed
Beveled Window Frame - Textured Black	DFL722LBLX	Textured Black
Decorative Front, Forged Iron Frame, Distressed Pewter	DFF72FPD	Distressed Pewter
Decorative Front, Forged Iron Frame, Black	DFFL72LBL	Black
Log Set, Blue Bay Driftwood	LS60THF	N/A
Logs And Rocks, Rustic Contemporary	LS72DC	N/A
Conversion Kit - Propane to Natural	38156	N/A
Conversion Kit - Natural to Propane	38157	N/A
Dual Blower Kit	FBB20	N/A

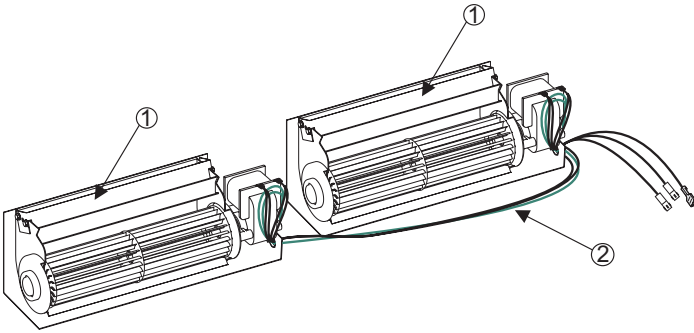
CONVERSION KITS		
Description	Accessory Model Number	Color
<b>Fireplace Models</b>	<b>DVLL72BP</b>	
Conversion Kit - Propane to Natural	38156	N/A
Conversion Kit - Natural to Propane	38157	N/A

\*DVLL72BP models require either a Ridgeback Liner or a Black Glass Liner. The fireplace must have a liner installed prior to operation.

\*\***NOTICE:** If the optional blower kit is desired, installation into the fireplace through the rear access panel is easier, prior to placing the fireplace into the framed out location.

For application and the amount of crushed glass to use, refer to the "Glass Placement" section on page 39.

# FBB20 BLOWER INSTALLATION



BLOWER ASSEMBLY PARTS LIST			
INDEX NO.	PART NO	DESCRIPTION	QTY
1	35727	Blower Assembly - Single	2
2	R11788	Wire Harness	1

**TOOLS NEEDED:**

5/16-inch Nut driver or screw gun

**CAUTION**

**Sharp edges. Use gloves when installing these blowers.**

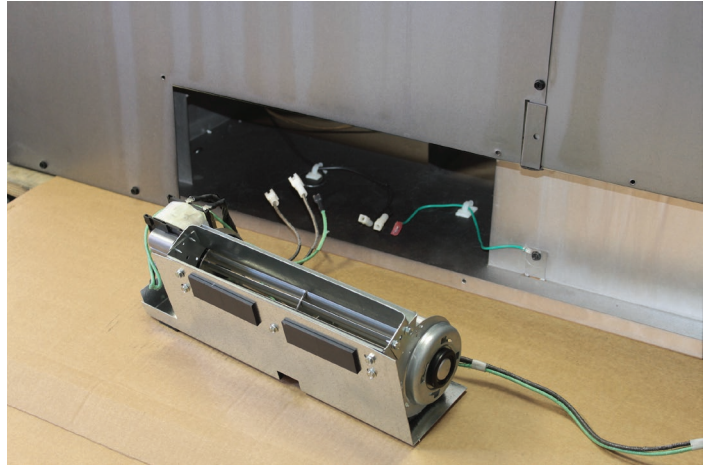
**Installation - Prior to Setting Fireplace Into Final Position**

1. Unpack the FBB20 Blower assembly.
2. Using a 5/16-inch hex drive, remove the 11 screws holding rear blower access cover plate, then lay the access plate on the floor. **See Figure 1.**



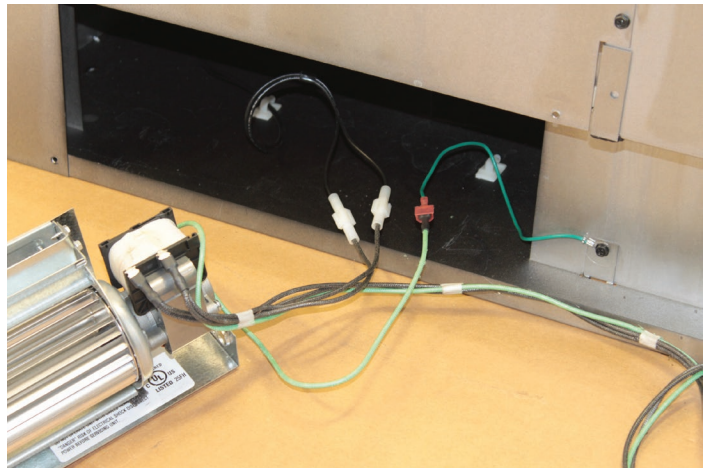
**Figure 1**

3. Use a rag to wipe the inside bottom of the fireplace (where the blowers will be placed) to remove dirt or construction dust.
4. Place blowers on the floor behind the fireplace. Position the blowers with the two black connecting wires and green ground wire towards the left hand side when facing the back of the fireplace. **See Figure 2.**



**Figure 2**

5. Locate the blower wire terminals inside the bottom of the fireplace and make the three connections as shown in **Figure 3.**



**Figure 3**



## FBB20 BLOWER INSTALLATION (CONT'D)

6. Begin installing the left blower assembly into the bottom of the fireplace. Once the blower is about half way in, secure wiring within the white plastic wire retention clips provided in the fireplace. **See Figure 4.**

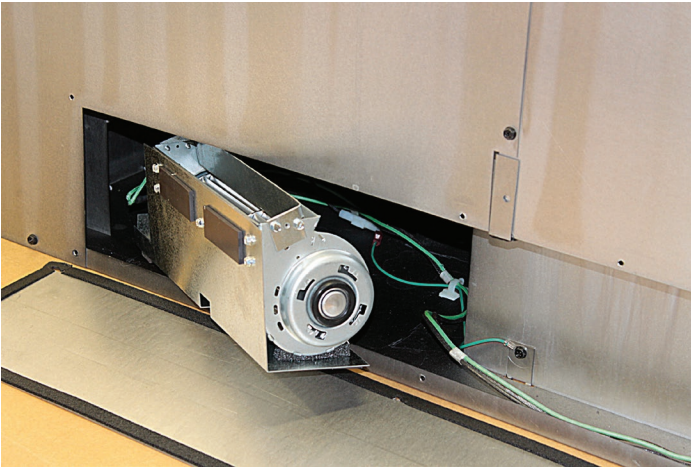


Figure 4

7. Finish installing the left blower so that the left edge of the blower base bracket is about even with the left edge of the access opening. Route the wiring away from the blower wheel. **See Figure 5.**

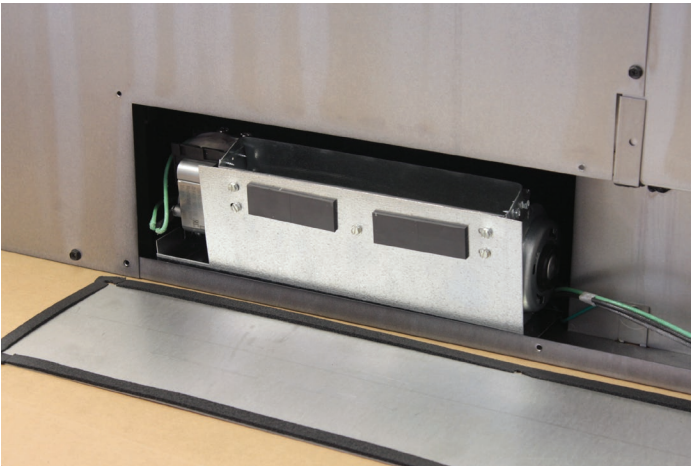


Figure 5

8. Next, install the right hand blower assembly towards the right side of the access opening. The right hand edge of the blower base bracket should be about even with the right edge of the access opening. Route wiring away from the blower wheel. **See Figure 6.**

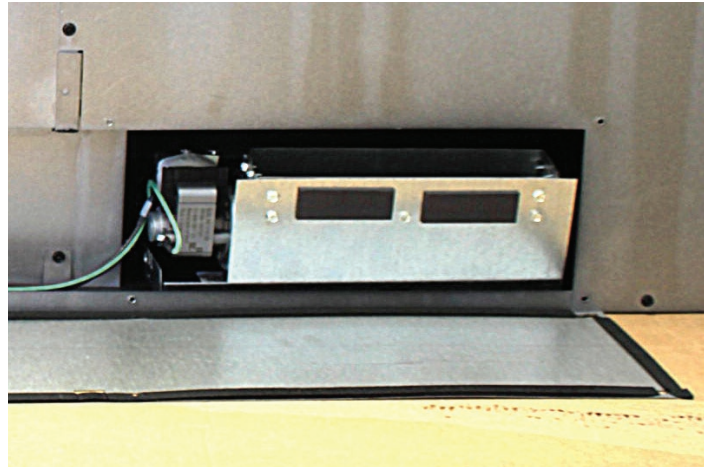


Figure 6

9. Snap the wire harness into the white plastic wire retention clip located at the center bottom of the fireplace. **See Figure 7.**

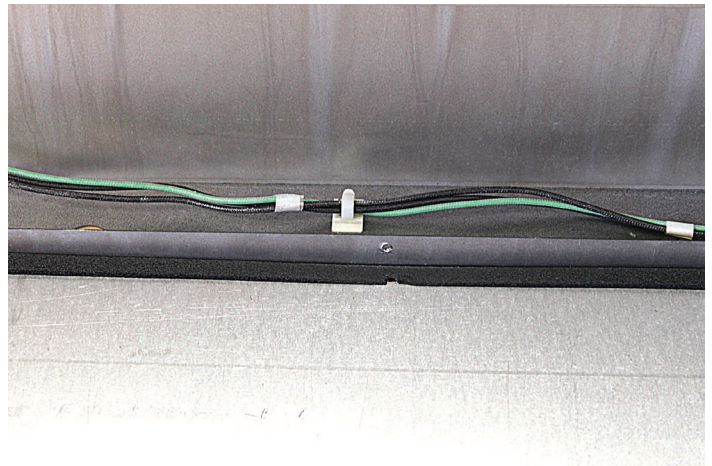


Figure 7

## FBB20 BLOWER INSTALLATION (CONT'D)

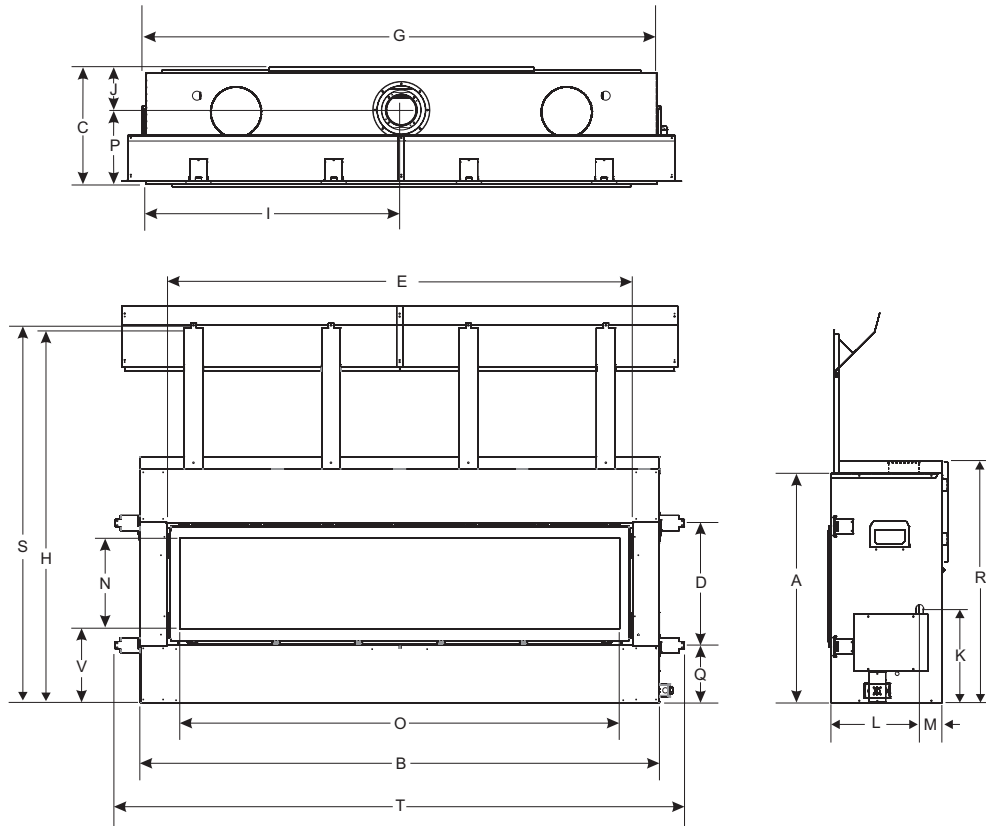
10. Make sure the blower base brackets are pulled rearward against the bottom flange of the fireplace. The magnets on the blower base bracket will keep the blowers in place.  
**See Figure 8.**



**Figure 8**

11. Re-attach the Blower Access Panel with the 11 screws removed in step 2. **See Figure 1.**
12. Blower installation is complete.

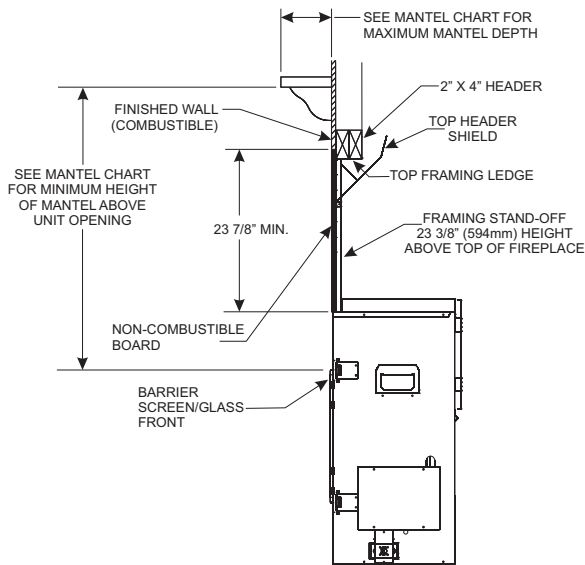
# FIREPLACE DIMENSIONS



INDEX LETTER	DIMENSION DESCRIPTION	DVLL72BP90
		(Dimensions in inches)
A	The maximum height of firebox face (excluding standoffs)	38-1/4
B	The maximum width of the firebox face (excluding nailing flanges)	85
C	The maximum depth of the fireplace	19-1/2
D	The height of the firebox opening	20
E	The width of the firebox opening	76-1/4
F	The interior depth of the firebox (not shown)	13
G	The rear exterior width of the firebox	85
H	The height to the firebox standoffs	61-1/2
I	Width from the left side of the box to the centerline of vent	42-9/16
J	Depth from back of box to centerline of top vent	7-1/8
K	Height from the bottom of the box to the gas line opening	15-7/8
L	Depth from the front of the box to gas line opening	14-11/16
M	Depth from rear of box to gas line opening	3-3/4
N	Glass height	15
O	Glass width	72
P	Depth from front of box to centerline of vent	12-3/8
Q	Distance from floor to fireplace opening	9-3/8
R	Height from floor to vent collar	39-15/16
S	Overall height to header	61-5/8
T	Distance between framing bracket ends	93-1/16
U	Interior rear width of firebox (not shown)	69
V	Bottom of fireplace to screen opening	12-1/8

# CLEARANCES

CLEARANCE TO COMBUSTIBLES	
Back	See Fig. 10
Side	3-in
Floor	0-in
Top Stand-off Bracket	0-in
Top Framing Edge	23-3/8 -in



**NOTICE A:** See Figure 12 for maximum mantel depth and minimum height above fireplace.

Figure 9

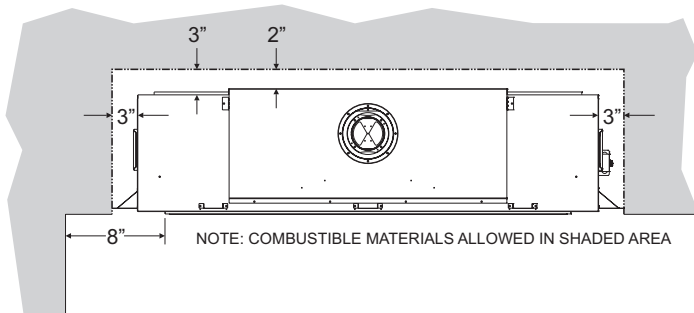


Figure 10

The minimum clearance from bottom of the fireplace to ceiling is 65-in. The minimum clearance from side of the fireplace opening to adjacent sidewall is 8-in.

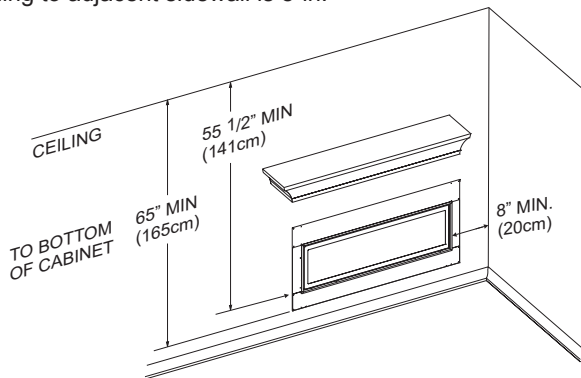
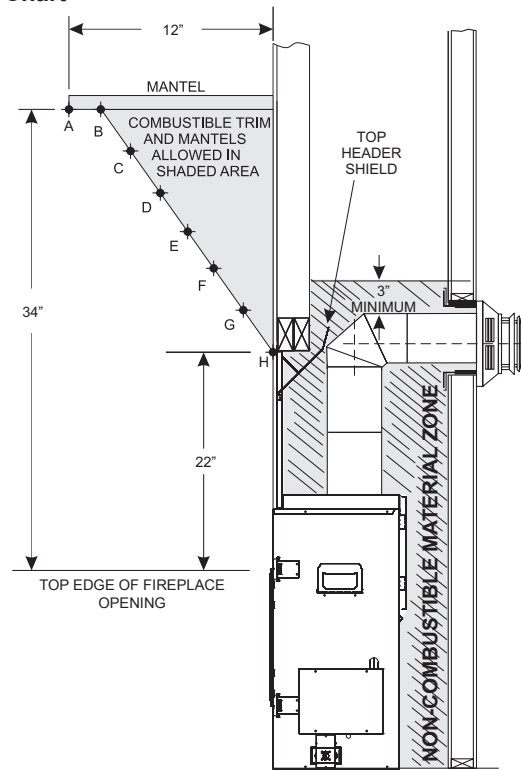


Figure 11

## Mantel Chart



INDEX LETTER	DISTANCE FROM FIREPLACE OPENING (in inches)	DISTANCE FROM FINISHED WALL (in inches)
A	34	12
B	34	10
C	32	8-3/8
D	30	6-5/8
E	28	5
F	26	3-3/8
G	24	1-3/4
H	22	0

Figure 12

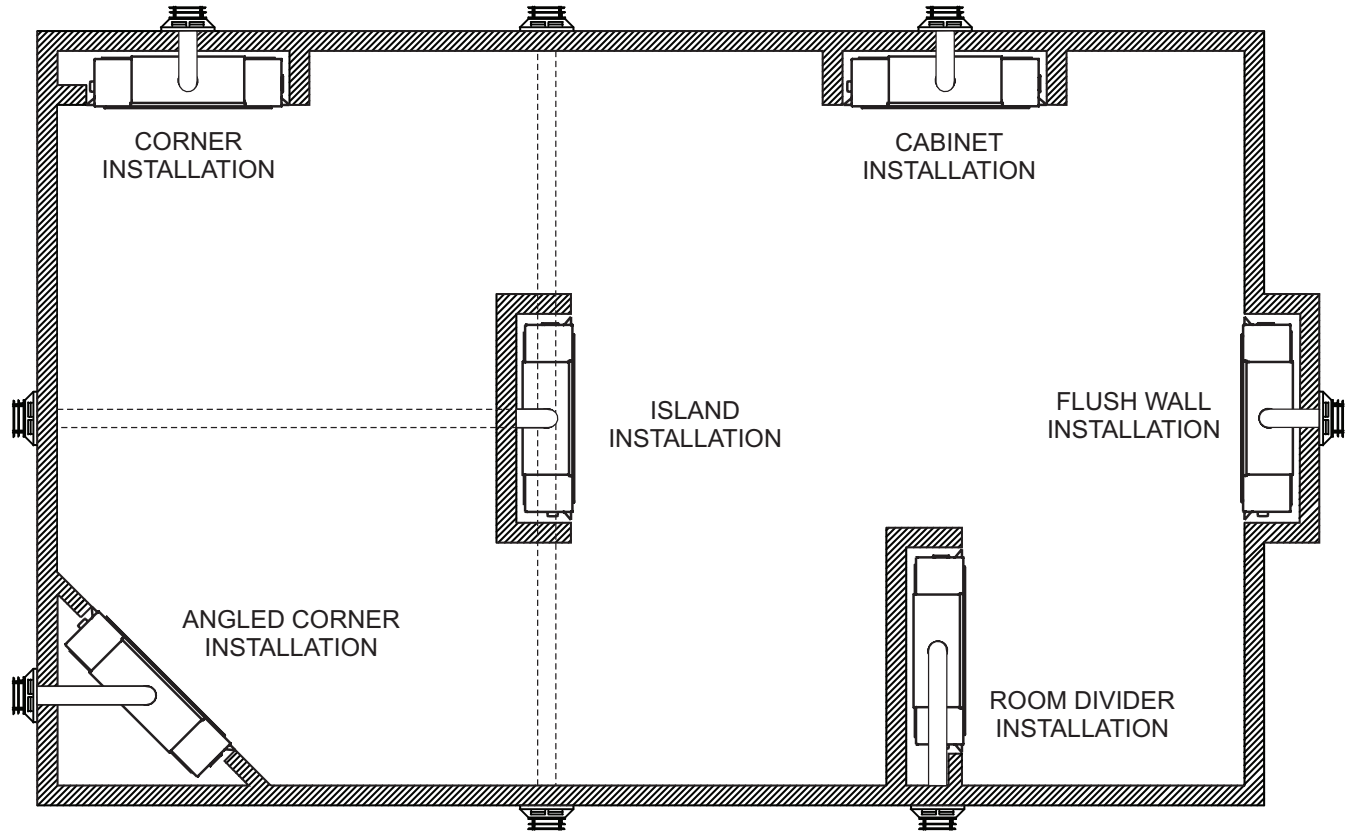
### Television Considerations

Installing a television above a fireplace has become increasingly popular; however, the area above any fireplace gets hot and most TV manufacturers recommend against placing their products near a heat source.

If you install a television above this fireplace, Empire Comfort Systems accepts no responsibility for damage or injuries. Follow the television manufacturer's installation instructions, including any recommendations regarding proximity to heat sources.

If you have a TV above your fireplace, turn off the fireplace and let it cool completely before servicing or touching any buttons on the TV.

# OPTIONAL FIREPLACE LOCATIONS



**NOTICE:** Island and Room Divider installation is possible as long as the horizontal portion of the vent system does not exceed 20 feet with a minimum vertical run of 8 feet. See details in Venting Section.

**NOTICE:** When installing this fireplace against an exterior wall, insulate to applicable insulation codes.

When you install your Direct Vent Fireplace in Room divider or Flat on wall corner positions, a minimum of 8 inches clearance must be maintained from the perpendicular wall and the front opening of the fireplace.

Figure 13

# VENT TERMINATION CLEARANCES

Termination clearance for buildings with combustible and noncombustible exteriors.

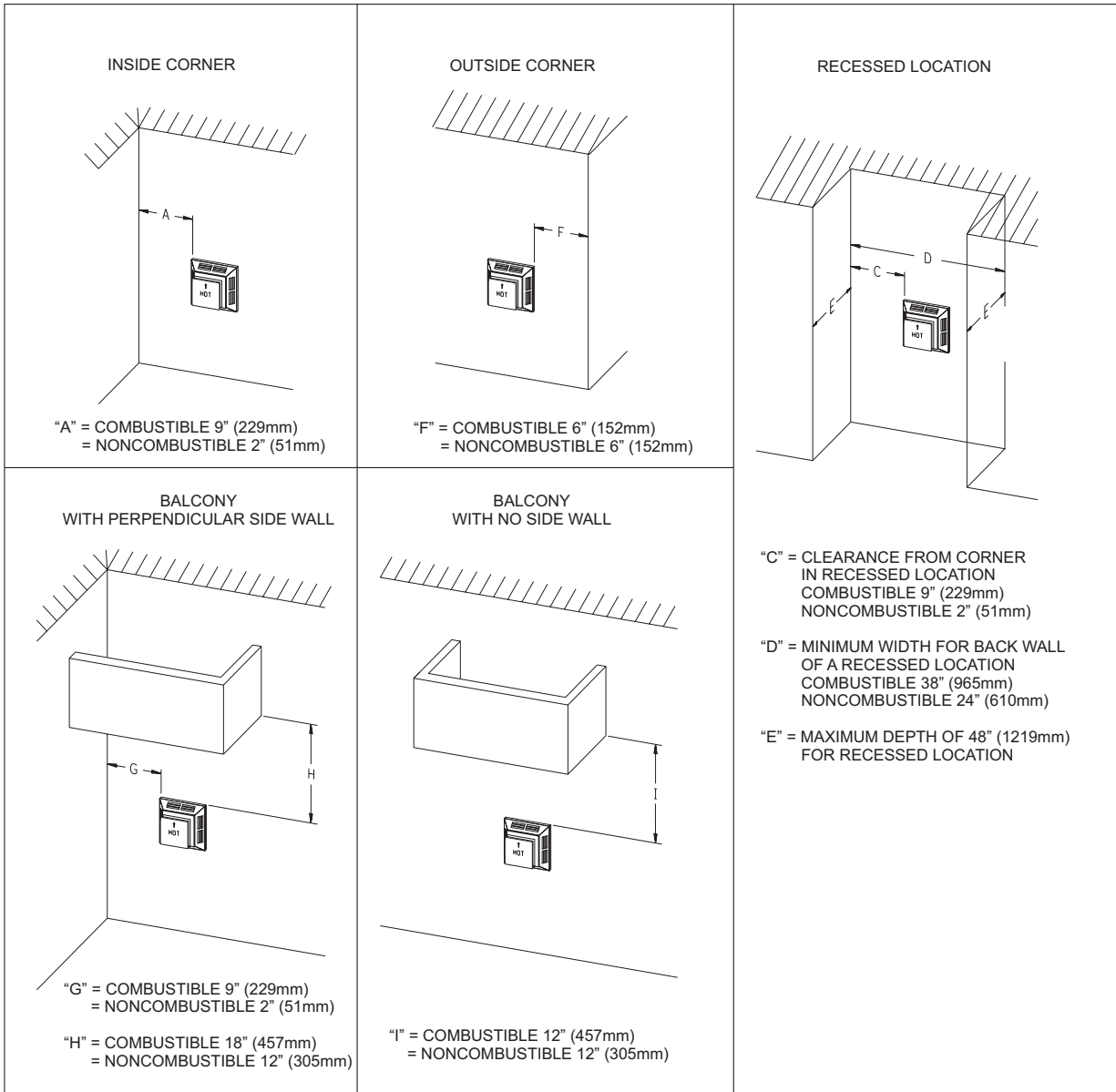


Figure 14

## Vertical Sidewall Installations

**Important!** Minimum clearance between vent pipes and combustible materials is 3 inch (76 mm) on top, and 1 inch (25 mm) on bottom and sides.

**Important!** When vent termination exits through foundation less than 20 inch (508 mm) below siding outcrop, the vent pipe must extend outward so that the horizontal vent termination is located flush to, or beyond the outcrop siding.

## Information on Various Venting Routes and Components

**Important:** It is always best to locate the fireplace in such a way that minimizes the number of offsets and horizontal vent length.

Since it is very important that the venting system maintain its balance between the combustion air intake and the flue gas exhaust, certain limitations as to vent configurations apply and must be strictly adhered to.

The graph showing the relationship between vertical and horizontal side wall venting will help to determine the various vent lengths allowable.

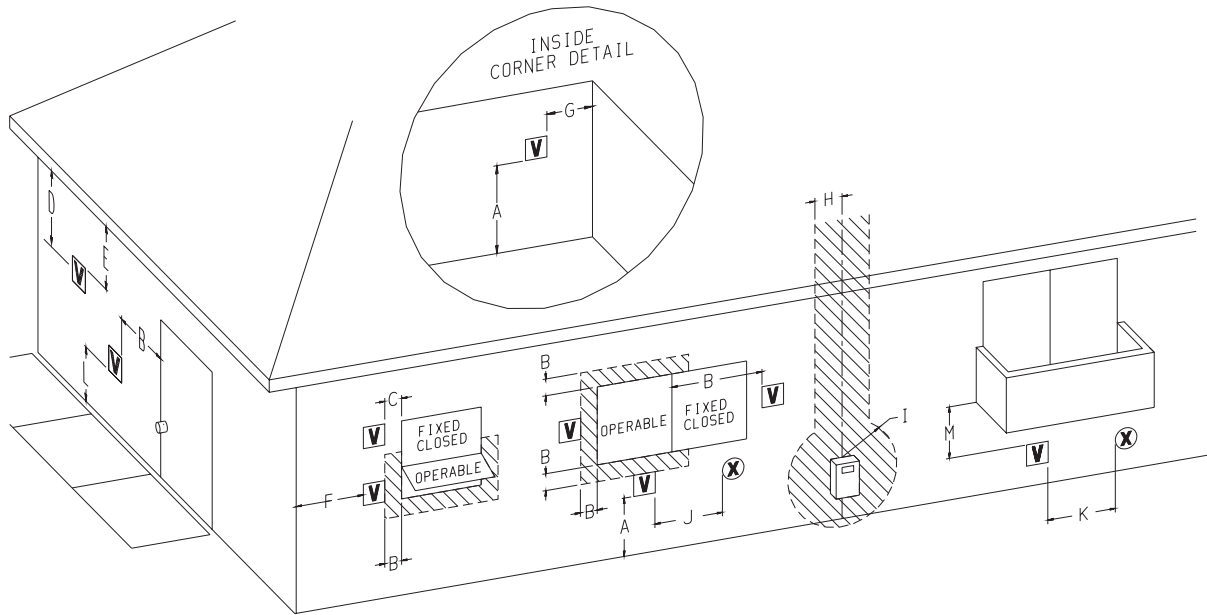
The horizontal vent run refers to the total length of vent pipe from the flue collar of the fireplace to the face of the outer wall.

Venting termination shall not be recessed into wall or siding.

### ATTENTION: Vinyl Soffit, Vinyl Ceiling, Vinyl Overhang Disclaimer

Clearances are to heat resistant material (i.e. wood, metal). This does not include vinyl. Empire Comfort Systems Inc. will not be held responsible for heat damage caused from terminating under vinyl overhangs, vinyl ceilings or vinyl ventilated/unventilated soffits.

# VENT TERMINATION CLEARANCES (CONT'D)



**V** VENT TERMINAL

**X** AIR SUPPLY INLET

AREA WHERE TERMINAL IS NOT PERMITTED

	Canadian Installations <sup>1</sup>	US Installations <sup>2</sup>		Canadian Installations <sup>1</sup>	US Installations <sup>2</sup>
A= Clearance above grade, veranda, porch, deck, or balcony	12 in (30 cm)	12 in (30cm)	I= Clearance to service regulator vent outlet	3 ft (91 cm)	6 ft
B= Clearance to window or door that may be open	6 in (15 cm) for appliances ≤ 10,000 Btuh (3 kW), 12 in (30 cm) for appliances > 10,000 Btuh (3 kW) and ≤ 100,000 Btuh (30 kW), 36 in (91 cm) for appliances > 100,000 Btuh (30 kW)	6 in (15 cm) for appliances ≤ 10,000 Btuh (3 kW), 9 in (23 cm) for appliances > 10,000 Btuh (3 kW) and ≤ 50,000 Btuh (15 kW), 12 in (30 cm) for appliances > 50,000 Btuh (15 kW)	J= Clearance to nonmechanical air supply inlet to building or the combustion air inlet to any other appliance	6 in (15 cm) for appliances ≤ 10,000 Btuh (3 kW), 12 in (30 cm) for appliances > 10,000 Btuh (3 kW) and ≤ 100,000 Btuh (30 kW), 36 in (91 cm) for appliances > 100,000 Btuh (30 kW)	6 in (15 cm) for appliances ≤ 10,000 Btuh (3 kW), 9 in (23 cm) for appliances > 10,000 Btuh (3 kW) and ≤ 50,000 Btuh (15 kW), 12 in (30 cm) for appliances > 50,000 Btuh (15 kW)
C= Clearance to permanently closed window	12 in (30 cm)	12 in (30 cm)	K= Clearance to a mechanical air supply inlet	6 ft (1.83 m)	3 ft (91 cm) above if within 10 ft (3 m) horizontally
D= Vertical clearance ventilated soffit located above the terminal within a horizontal distance of 2 feet (61 cm) from the center line of the terminal	24 in (61 cm)	24 in (61 cm)	L= Clearance above paved sidewalk or paved driveway located on public property	7 ft (2.13 m) †	7 ft (2.13 m) †
E= Clearance to unventilated soffit	12 in (30 cm)	12 in (30 cm)	M= Clearance under veranda, porch deck, or balcony	12 in (30 cm) ‡	12 in (30 cm) ‡
F= Clearance to outside corner	6 in (15 cm)	6 in (15 cm)	1 In accordance with the current CSA B149.1, Natural Gas and Propane Installation Code		
G= Clearance inside corner	9 in (23 cm)	9 in (23 cm)	2 In Accordance with the current ANSI Z223.1/NFPA 54, National Fuel Gas Code		
H= Clearance to each side of center line extended above meter/regulator assembly	3 ft (91 cm) within a height 15 ft (4.5 m) above the meter/regulator assembly	3 ft (91 cm)	† A vent shall not terminate directly above a sidewalk or paved driveway that is located between two single family dwellings and serves both dwellings		
<b>ATTENTION: Vinyl Soffit, Vinyl Ceiling, Vinyl Overhang Disclaimer</b> Clearances are to heat resistant material (i.e. wood, metal). This does not include vinyl. Empire Comfort Systems Inc. will not be held responsible for heat damage caused from terminating under vinyl overhangs, vinyl ceilings or vinyl ventilated/unventilated soffits.			‡ Permitted only if veranda, porch, deck, or balcony is fully open on a minimum of two sides beneath the floor.		
			* For clearances not specified in ANSI Z223.1/NFPA 54 or CSA B149.1, one of the following shall be indicated:		
			Clearance in accordance with local installation codes and the requirements of the gas supplier.		

# GAS SUPPLY

The gas pipeline can be brought in through the right side of the fireplace. Consult the current National Fuel Gas Code, ANSI Z223.1 CAN/CGA-B149 (.1 or .2) installation code.

**NOTICE:** Never use plastic pipe. Check to confirm whether your local codes allow copper tubing or galvanized.

**NOTICE:** Since some municipalities have additional local codes, it is always best to consult your local authority and installation code.

The use of the following gas connectors is recommended:

- ANSI Z21.24 Appliance Connectors of Corrugated Metal Tubing and Fittings.
- ANSI Z21.45 Assembled Flexible Appliance Connectors of Other Than All-Metal Construction

The above connectors may be used if acceptable by the authority having jurisdiction. The Commonwealth of Massachusetts requires that a flexible appliance connector cannot exceed three feet in length.

## FLEXIBLE GAS LINE CONNECTION

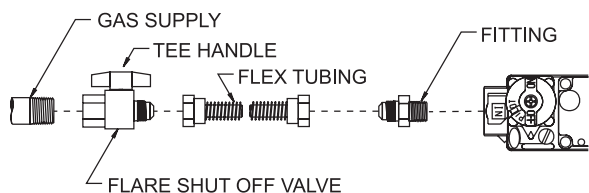


Figure 15

	GAS SUPPLY PRESSURE (inches w.c.)		
	Minimum	Normal	Maximum
Natural Gas	4.5	7.0	14.0
Propane Gas	10.8	11.0	14.0
	MANIFOLD PRESSURE (inches w.c.)		
	Normal (HI)		
Natural Gas	3.5		
Propane Gas	10.0		

A gas valve and ground joint union should be installed in the gas line upstream of the gas control to aid in servicing. It is required by the National Fuel Gas Code that a drip leg be installed near the gas inlet. **See Figure 16.** This should consist of a vertical length of pipe tee connected into the gas line that is capped on the bottom in which condensation and foreign particles may collect.

## GAS SUPPLY PIPING

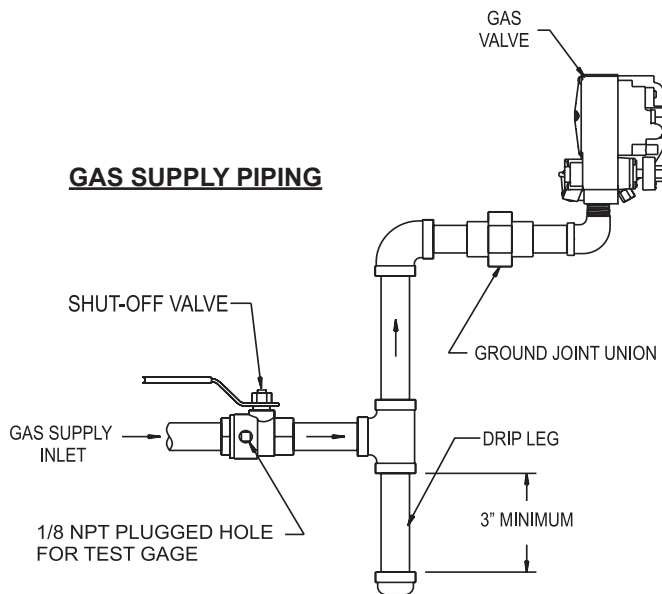


Figure 16

### Installing a New Main Gas Shut-Off Valve (Check Local Code)

Each fireplace should have its own manual gas shut-off valve. A manual main gas shut-off valve should be located in the vicinity of the fireplace. Where none exists, or where its size or location is not adequate, contact your local authorized installer for installation or relocation.

Compounds used on threaded joints of gas piping shall be resistant to the action of liquefied petroleum gases. The gas lines must be checked for leaks by the installer. This should be done with a soap solution watching for bubbles on all exposed connections, and if unexposed, a pressure test should be made.

**Never use an exposed flame to check for leaks. Fireplace must be disconnected from piping at inlet of control valve and pipe capped or plugged for pressure test. Never pressure test with fireplace connected; control valve will sustain damage!**

**NOTICE:** The gas control is equipped with a captured screw type pressure test point, therefore it is not necessary to provide a 1/8 inch test point up stream of the control. **See Figure 17.**

When using copper or flex connector use only approved fittings. The fireplace and its individual shut off valve must be disconnected from supply piping system during any pressure testing of that system at test pressures in excess of 1/2 psig (3.5 kPa).

The fireplace must be isolated from the gas supply piping system by closing its individual manual shut off valve during any pressure testing of the gas supply piping system at test pressures equal to or less than 1/2 psig (3.5 kPa).

**Attention!** If one of the procedures results in pressures in excess of 1/2 psig (14in w.c.) (3.5 kPa) on the fireplace gas valve, it will result in a hazardous condition.



# GAS SUPPLY (CONT'D)

## Checking Manifold Pressures

Both Propane and Natural Gas valves have a built-in pressure regulator in the gas valve. Natural Gas models will have a manifold pressure of approximately 3.5-in w.c. (.871 kPa) at the valve outlet with the inlet pressure to the valve from a minimum of 4.5-in w.c. (1.120 kPa) for the purpose of input adjustment to a maximum of 14.0-in w.c. (3.484 kPa). Propane Gas models will have a manifold pressure approximately 10.0-in w.c. (2.49 kPa) at the valve outlet with the inlet pressure to the valve from a minimum of 10.8-in w.c. (2.68 kPa) for the purpose of input adjustment to a maximum of 14.0-in w.c. (3.484 kPa).

### ⚠ CAUTION

If one of the procedures results in pressures in excess of 1/2 psig (14-in w.c.) (3.5 kPa) on the fireplace gas valve, it will result in a hazardous condition.

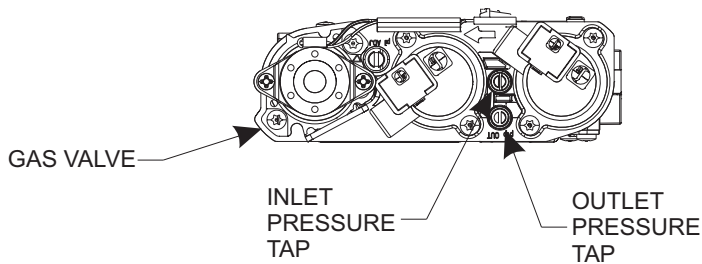


Figure 17

## Gas Line Connection

Remove the access panel from the right side of the fireplace shown in **Figure 18** to access the gas valve, gas flex line, junction box, and system wiring.

Attach the gas flex line to the pre-installed gas line. Refer to the Gas Supply section in this manual for details on the installation requirements for the gas supply line.

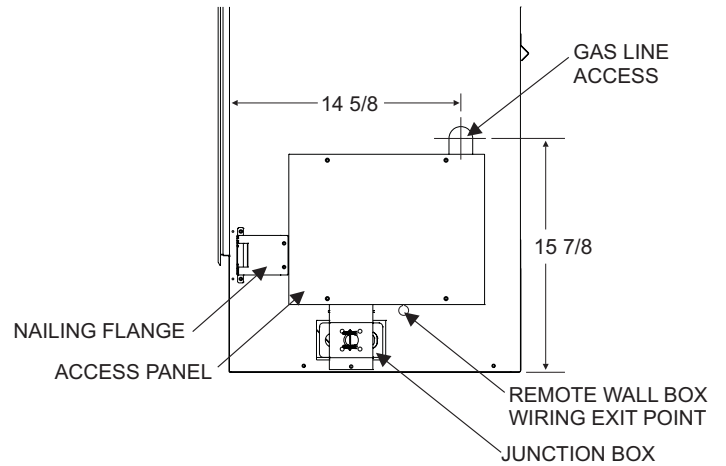


Figure 18

# ELECTRICAL CONNECTIONS

## ⚠ CAUTION

All wiring should be done by a qualified electrician and shall be in compliance with all local, city and state building codes. Before making the electrical connection, make sure that the main power supply is disconnected. The fireplace, when installed, must be electrically grounded in accordance with local codes, or in the absence of local codes, with the National Electrical Code ANSI/NFPA 70 (Latest Edition).

A factory installed junction box is located on the lower right side of the fireplace. Wiring must be fed to the junction box and attached to the receptacle that is provided. Leave approximately 6in of wire in the junction box for connection.

Attach black wire to one side of the receptacle and white wire to opposite side of receptacle. The ground wire should be attached to the green (ground) screw. See Figure 19.

### JUNCTION BOX CONNECTIONS

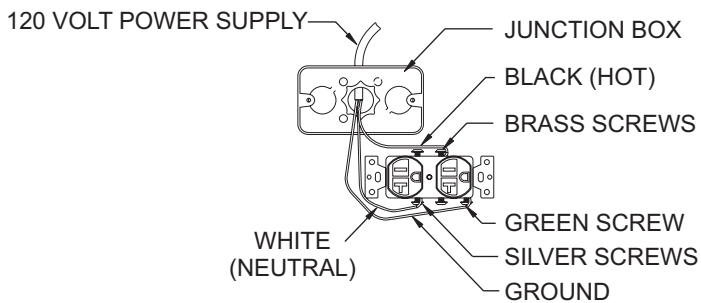


Figure 19

Install the receptacle into the junction box. Attach cover plate. After the wiring is completed to the junction box and receptacle, install the junction box to the lower right side of the fireplace as shown in Figure 20. Insert the top flange of the retainer bracket into the slot on the fireplace. Rotate the junction box assembly downward, and secure with a screw below the junction box. See Figure 20.

### Control Module Access:

To access the control module for servicing, remove the barrier screen and glass door assemblies. The control module is located in the bottom right side opening. The control module is located to the fireplace bottom with Velcro®, and can be lifted up to access the module wiring connections.

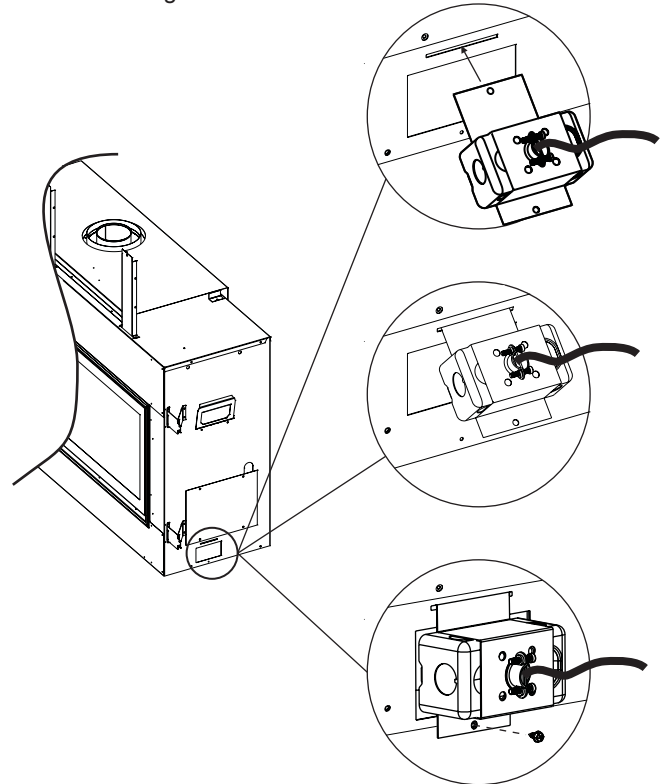


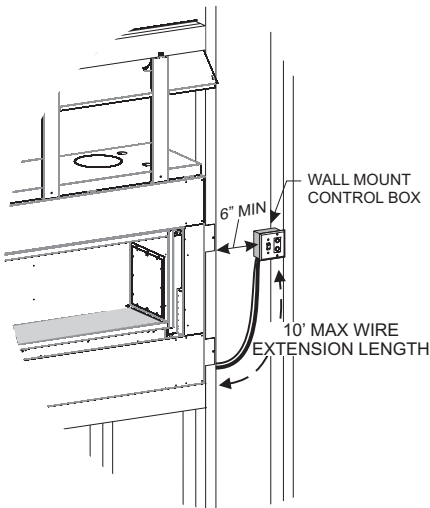
Figure 20

# ELECTRICAL CONNECTIONS (CONT'D)

Once the Junction box has been installed with the receptacle outlets facing inward towards the fireplace, locate the 3-prong power cord from the control module and plug into the receptacle.

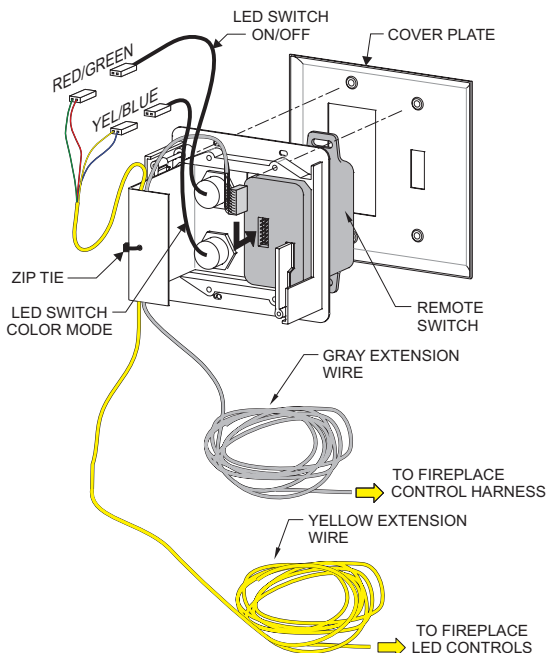
In addition, locate the 3-prong power cord from the LED Light Transformer and plug into the junction box receptacle. The fireplace is supplied with a User Interface wall box that must be installed in a standard plastic outlet box (not provided). A low voltage orange or blue box is recommended. The user interface wall box must be placed in the wall within ten feet from the right side of the fireplace. 10-foot battery and user interface extension wire harnesses are supplied. **See Figures 21- a,b,c.**

Install the wall-mounted control box within 8 feet to the right side or 2 feet from the left. **See Figure 21a.**



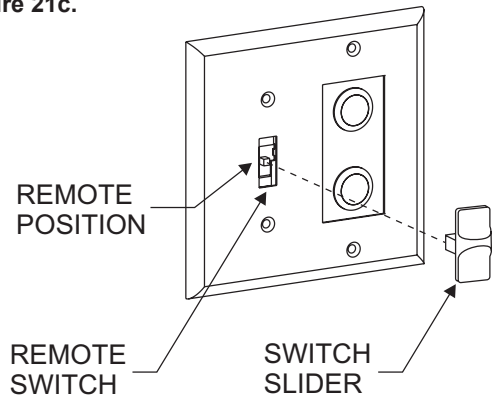
**Figure 21a**

Route the yellow LED wire harness with a gray remote receiver harness through the bushing. Mount the controls and connect the wiring. **See Figure 21b.**



**Figure 21b**

Place batteries in remote receiver and in the remote control using instructions provided. Place the switch slider to the remote switch. Set the remote switch in wall box to remote. (center position) **See Figure 21c.**



**Figure 21c**

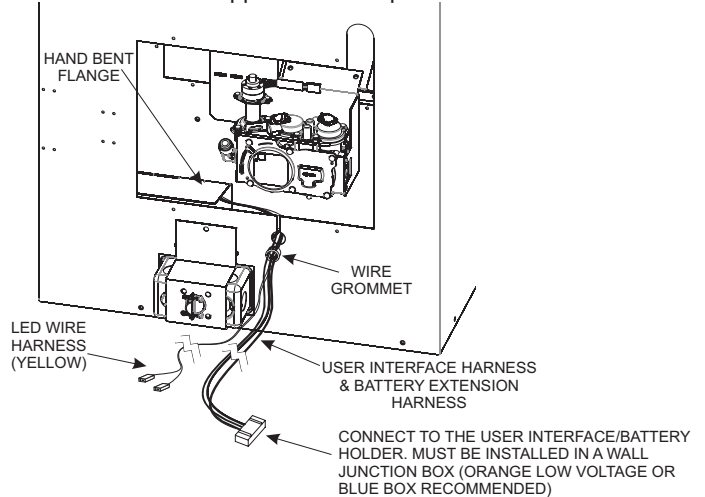
Verify remote is communicating with receiver. (See Proflame control system page 41).

Install the provided plastic bushing in the opening where the wires exit the fireplace. **See Figure 22 (right side).**

The red and black battery extension harness is connected to the red and black mating connector pre-installed on the control module. The mating connector can be located inside the fireplace near the gas valve. **See Figure 22.**

Locate and install the 5/8 inch diameter plastic snap-in grommet around the low-voltage battery interface extension and LED wire harnesses at the right side of the fireplace. Snap the grommet into the hole in the side of the fireplace just under the access panel opening. **See Figure 22.**

Run the extension wiring harnesses to the user interface wall box and connect the white connector to the remote receiver battery box. Install the battery box into the wall outlet box, then install the white remote cover supplied with the provided screws.



**NOTICE:** OUTER ACCESS DOOR REMOVED. REPLACE AFTER ALL WIRE AND GAS CONNECTIONS HAVE BEEN MADE.

**Figure 22**

# INSTALLATION

## Framing

This fireplace can be elevated off the floor provided that the fireplace is properly supported by framing materials and the ceiling clearances are maintained.

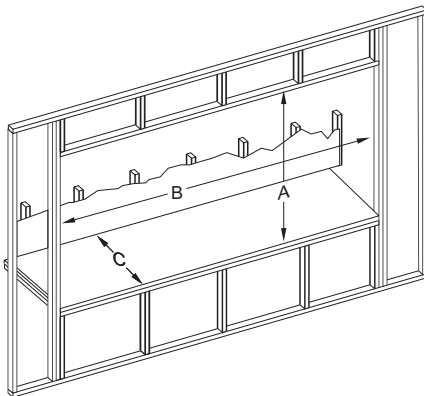
Fireplace framing can be built before or after the fireplace is set in place. Framing should be positioned to accommodate wall covering and fireplace facing material. The fireplace framing should be constructed of 2 x 4 lumber. Refer to **Figure 23** for minimum framing dimensions.

### ⚠ CAUTION

Measure fireplace dimensions and verify framing methods, and wall covering details before framing construction begins.

Framing dimension A includes a 24-inch clearance for framing standoffs on fireplace. After installing fireplace into framing, the non-combustible board must cover the 24-inch opening above the fireplace.

**NOTICE:** For finishing to top of fireplace, refer to **Figures 28 and 30**.



INDEX LETTER	DVLL72
A	61-5/8in
B	91-5/8in
C	21-1/2in

**Figure 23**

## Construction of a Fireplace Chase

A chase is a vertical box-like structure built to enclose the gas fireplace and/or its vent system. In cooler climates the vent should be enclosed inside the chase.

**NOTICE:** Treatment of ceiling firestops and wall shield firestops and construction of the chase may vary with the type of building. These instructions are not substitutes for the requirements of local building codes. Therefore, you **MUST** check local building codes to determine the requirements to these steps.

A chase should be constructed in the manner of all outside walls of the home to prevent cold air drafting problems. The chase should not break the outside building envelope in any manner.

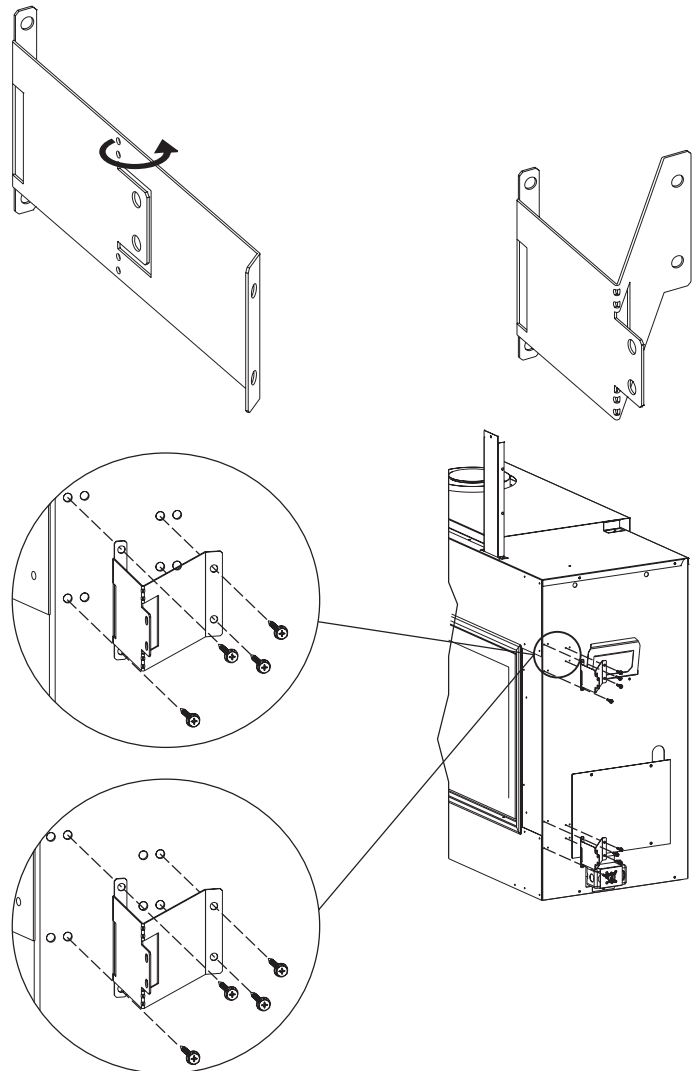
Walls, ceiling, base plate and cantilever floor of the chase should be insulated. Vapor and air infiltration barriers should be installed in the chase as per regional codes for the rest of the home.

Additionally, in regions where cold air infiltration may be an issue, the inside surfaces may be sheet rocked and taped (or an equivalent method may be used) to achieve maximum air tightness.

To further prevent drafts, the wall shield and ceiling firestops should be caulked with caulk rated for a minimum of 300°F continuous exposure rating to seal gaps. Gas line holes and other openings should be caulked or stuffed with unfaced insulation. If the fireplace is being installed on a cement surface, a layer of plywood may be placed underneath to prevent conducting cold up into the room. **See Figure 23.**

## Framing and Finishing

1. Choose fireplace location. See pages 14 - 15.
2. Frame in fireplace with a header across the top. It is important to allow for finished face when setting the depth of the fireplace.
3. Secure the four framing brackets and hand bend them into a V shape as shown in **Figure 24**. Secure with #10 x 1/2-inch hex-head screws.
4. Locate the nailing flanges on the sides of the fireplace (two each side). **See Figure 24.**

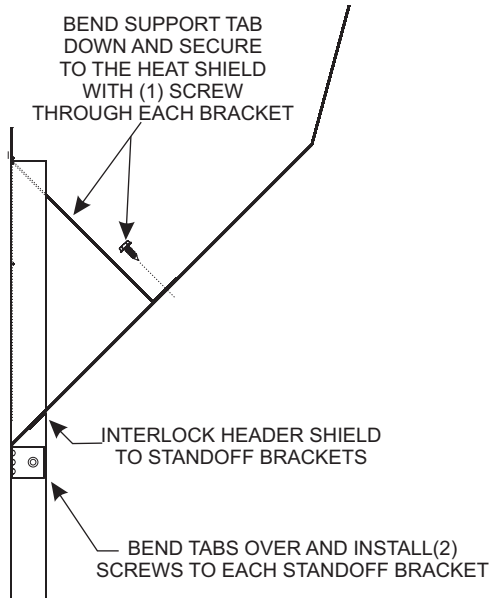


**Figure 24**

# INSTALLATION (CONT'D)

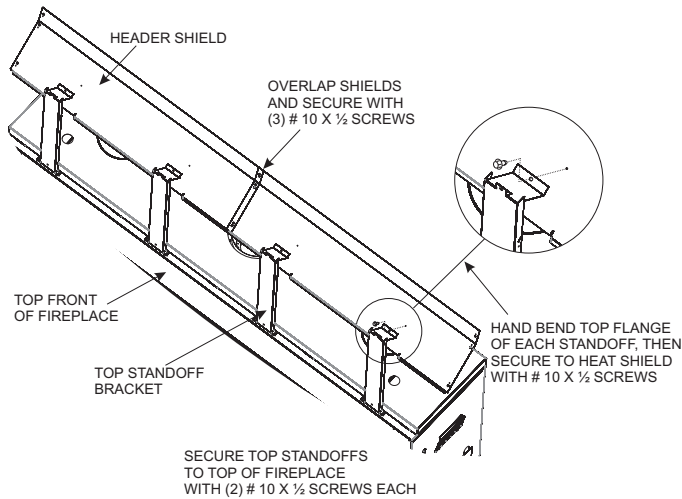
## Header Shield/Top Standoff Assembly

1. The two Header Shield halves and (4) Top Standoffs are packaged together and shipped with the fireplace. Pre-assemble each of the Header Shield halves to two of the Top Standoff brackets, before installing to the top of the fireplace and framing header. **See Figure 25.**

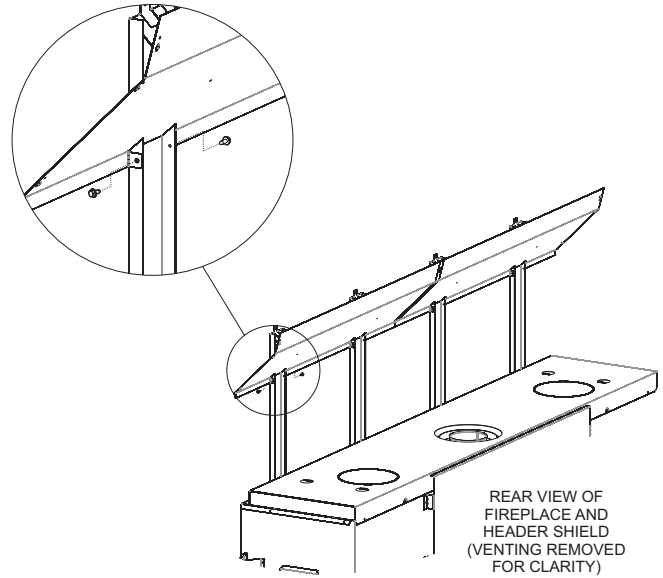


**Figure 25**

2. Install the **first** Top Standoff and Header Shield assembly to the top of the fireplace and framing header. **See Figure 26.** Install the **second** Top Standoff and Header Shield assembly to the top of the fireplace and framing header. **See Figure 27.** Next, connect the overlapped ends of the two header shields, and secure them together using the provided (3) #10 x 1/2 Hex Head screws.

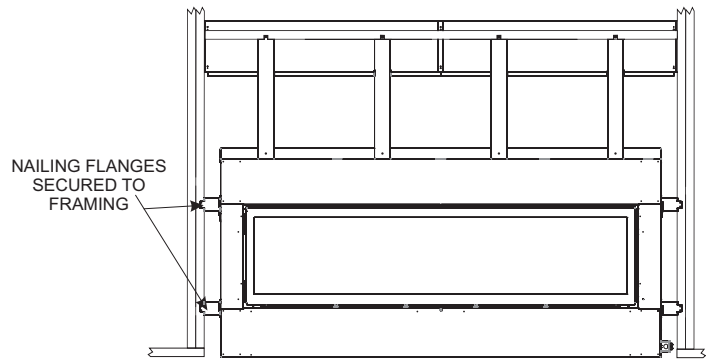


**Figure 26**



**Figure 27**

3. Secure fireplace to framing with nailing flanges. Preset depth to suit facing material (flush or 1/2 inch set back depths). **See Figure 28.**



**Figure 28**

# INSTALLATION (CONT'D)

4. Attach the four middle mount framing brackets to the top front edge of the fireplace. These brackets support the supplied non-combustible board above the fireplace. Preset depth to suit facing material (flush or 1/2 inch set back depths). See Figure 29.

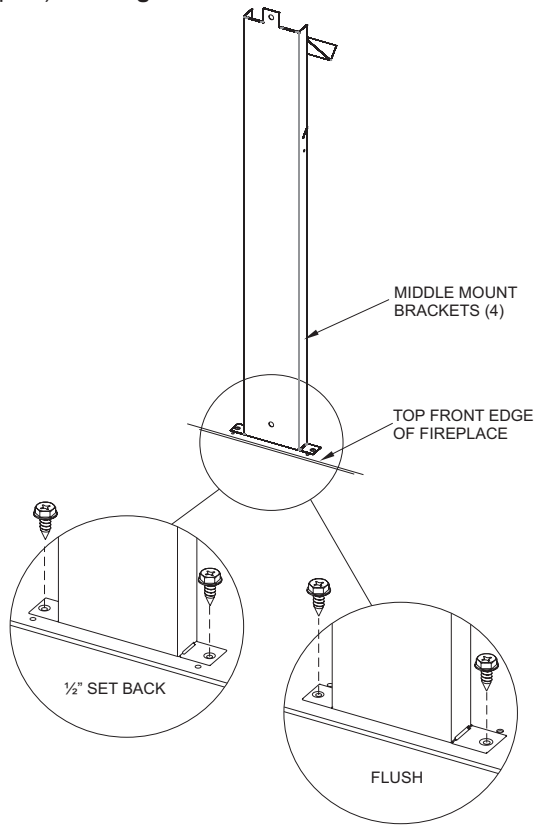


Figure 29

## Vent Pipe Clearance

**NOTICE:** Maintain one inch of clearance around vertical vent pipe. See Figure 30.

For horizontal vent, maintain a minimum 1 inch clearance to the bottom and sides of the vent, and 3 inch clearance to combustibles above the vent pipe. See Figure 31.

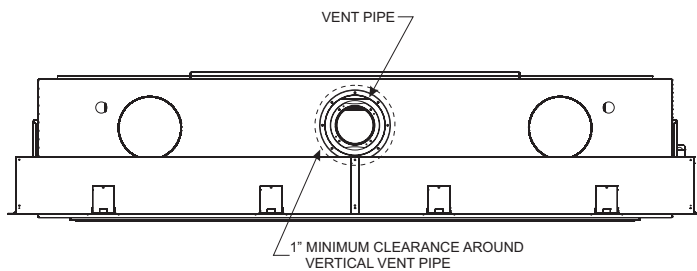


Figure 30

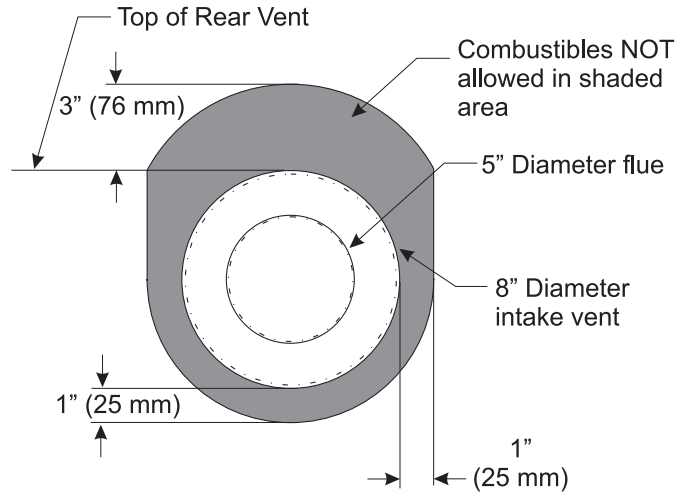


Figure 31

## Flush Wall Installation

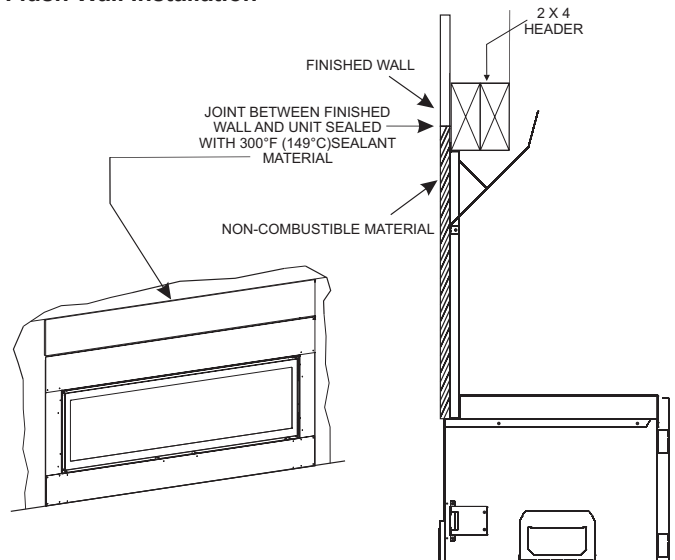


Figure 32

# INSTALLATION (CONT'D)

## Finishing Methods

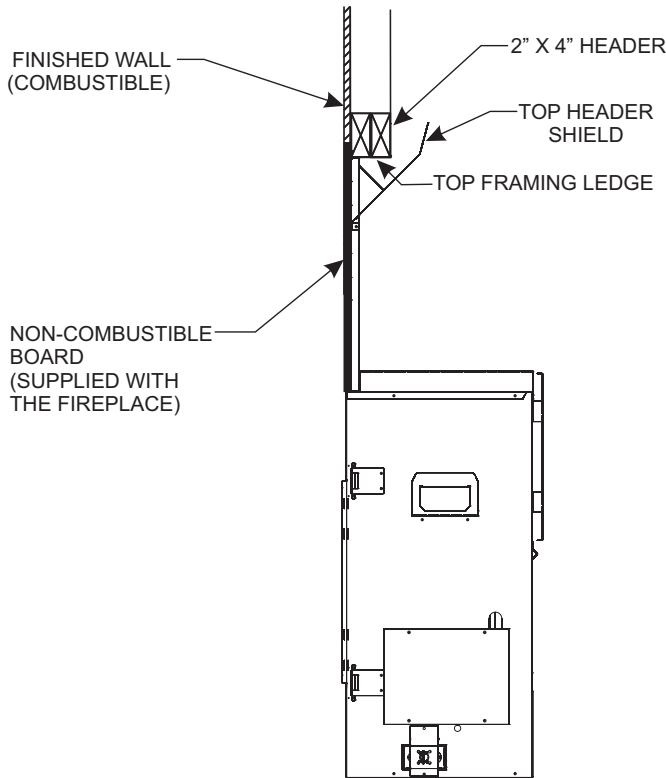


Figure 33

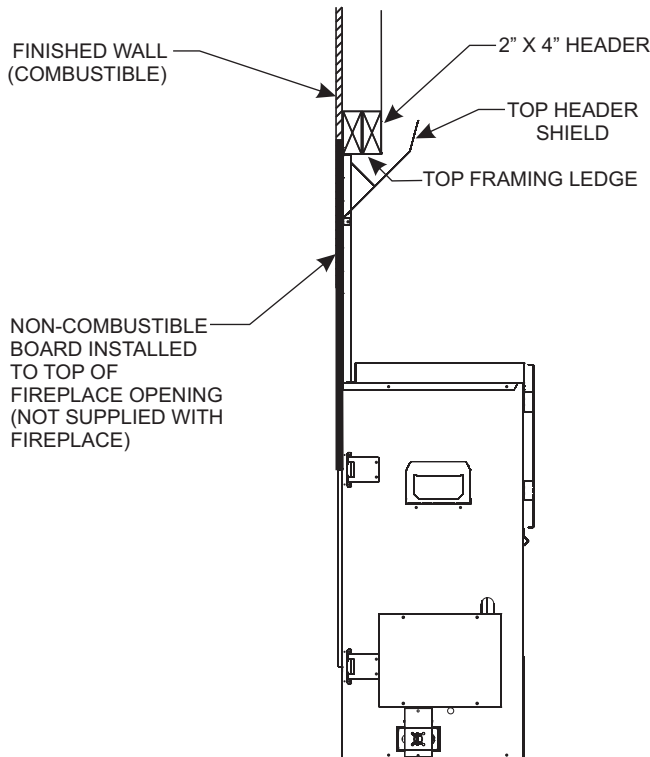


Figure 34

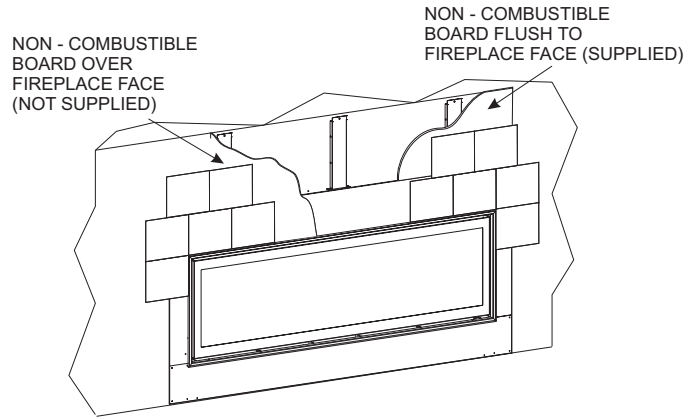


Figure 35

## Finishing Options

- Non-Combustible board installed over the fireplace face (framing bracket flush). **See Figure 32.**
- Non-Combustible board installed flush to face (framing brackets at 1/2 inch set back). **See Figure 33.**
- **Figures 33 and 34** show both finishing options.
- Use Non-Combustible materials where indicated for the fireplace installation. Non-combustible materials do not ignite or burn as a result of using the fireplace. These include metal, brick, ceramic, concrete, slate, glass and plaster. Adhesives must be rated for high temperatures. Any mechanical fasteners used to install material must also be non-combustible, including wall anchors and tile spacers. Materials that pass the ASTM E 136 test (Standard Test Method for Behavior of Materials in a Vertical Tube Furnace at 750C) are considered non-combustible.

**Attention:** Cold climate installation recommendation: When installing this fireplace against a non-insulated exterior wall, it is recommended that the outer walls be insulated to conform to applicable insulation codes.

## Vent Runs

In planning the installation for the fireplace, it is necessary to install certain components before the fireplace is completely positioned and installed. These include the direct vent system, gas piping and electrical wiring.

The fireplace can be mounted on any of the following surfaces:

1. A flat, hard combustible or non-combustible surface.
2. A raised wooden platform.

# INSTALLATION (CONT'D)

## VERTICAL, 90-DEGREE ELBOW WITH HORIZONTAL TERMINATION

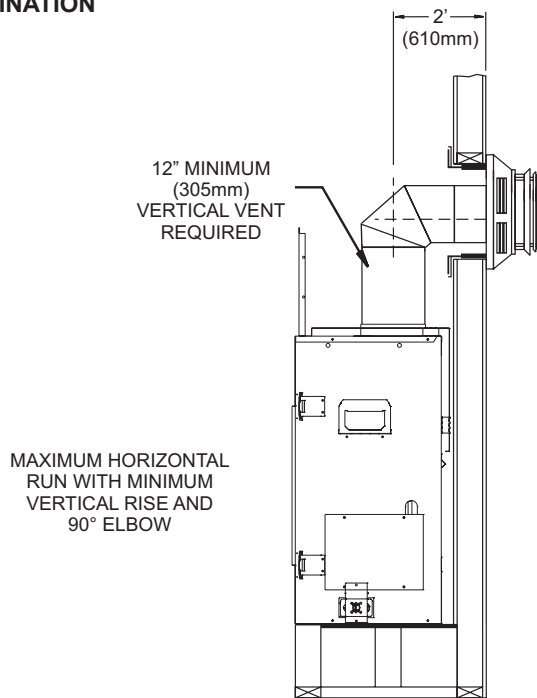
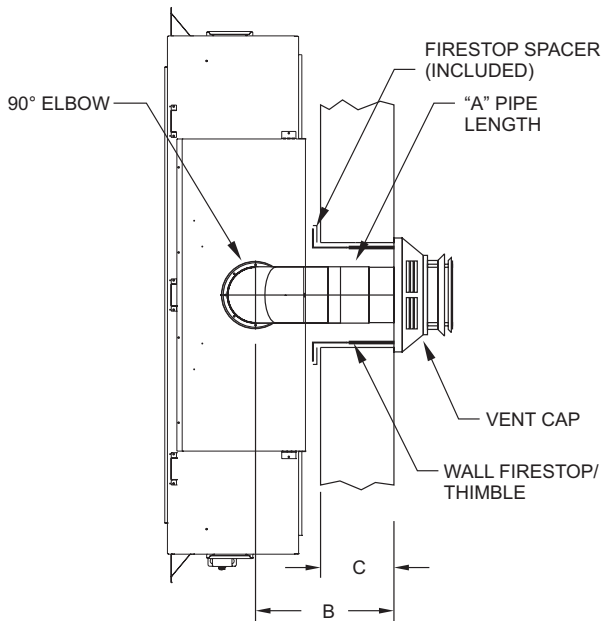


Figure 36

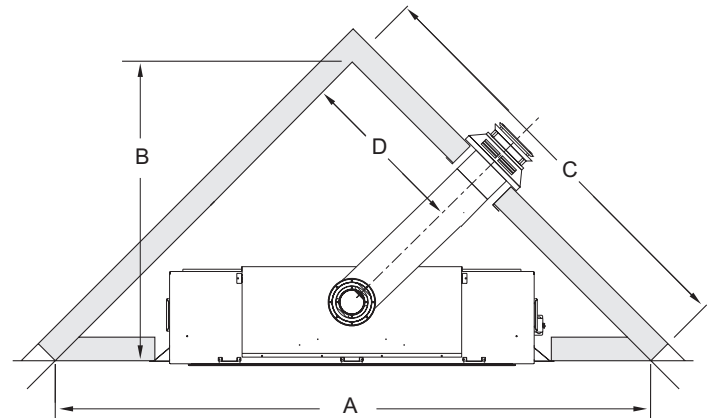
## VERTICAL, 90-DEGREE ELBOW TO HORIZONTAL OUT THE WALL (12-in minimum rise before elbow)



A	B	C
Vent Pipe Length	Centerline of Flue To The Exterior of Wall	Wall Thickness
(Dimensions in inches)		
6	14	7 Maximum
9	15-1/2 - 18	8-1/2 - 11
12	18 - 20-1/2	11 - 13-1/2

Figure 37

## CORNER INSTALLATION - VERTICAL, 90-DEGREE ELBOW TO HORIZONTAL OUT THE WALL (12-in minimum rise before elbow)



NOTE: DIMENSIONS SHOWN WITH FRAMING SET 1/2" BEHIND THE FIREPLACE FACE

Model	A	B	C	D
	(Dimensions in inches)			
DVLL72BP	125-5/8	62-11/16	88-7/8	36-1/16

Figure 38

**NOTICE:** Corner installation will require more vertical vent pipe than just the minimum required depending on wall thickness and horizontal dimension. Refer to Figure 46, page 29.



This Page Intentionally Left Blank.

# VENT SYSTEM IDENTIFICATION

Begin the vent system installation by selecting the type of venting to be installed and the path it will take. Verify clearances are met throughout the path of the venting system.

**NOTICE:** Some fireplaces cannot be vented out the rear of the fireplace.

Determine how the vent system will be terminated out the side of the house or through the roof. Verify clearances for the termination.

When selecting a vent system for use with the fireplace, refer to the "Special Vent Systems" section in this manual to determine

what systems are acceptable. Check all clearances and venting components. Identify if any problems exist in the vent system. Use **Figure 46** on page 29 for top venting to eliminate issues after installation. Check pipe diameter on vent system and fireplace to verify the size is the same.

**NOTICE:** All outer connection joints must be sealed with aluminum tape, screws or silicone sealant rated above 300°F/149°C. The inner flue joints do not require any sealant.

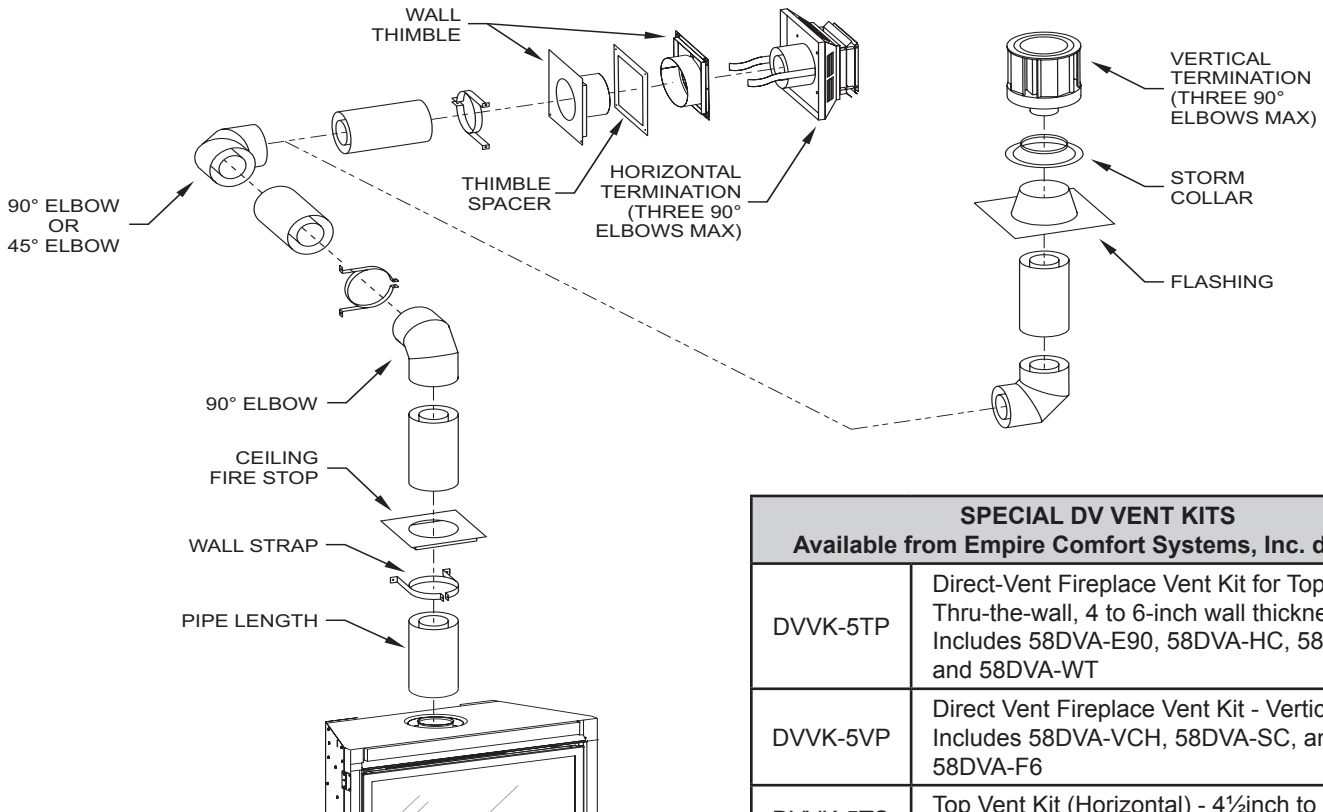


Figure 39

SPECIAL DV VENT KITS Available from Empire Comfort Systems, Inc. dealers.	
DVVK-5TP	Direct-Vent Fireplace Vent Kit for Top Vent, Thru-the-wall, 4 to 6-inch wall thickness, Includes 58DVA-E90, 58DVA-HC, 58DVA-06, and 58DVA-WT
DVVK-5VP	Direct Vent Fireplace Vent Kit - Vertical, Includes 58DVA-VCH, 58DVA-SC, and 58DVA-F6
DVVK-5TS	Top Vent Kit (Horizontal) - 4½inch to 6-inch wall thickness (114.3 mm to 152 mm)
DVVK-5F	Horizontal Flex Vent Kit (4' Flex) (1.22m)

# VENT SYSTEMS

The following vent systems are acceptable for use with the DVLL72BP90 series fireplaces:

- Simpson Duravent® GS 5in - 8in
- American Metal Products 5in - 8in
- Selkirk Direct-Temp® 5in - 8in
- Security Secure Vent® 5in - 8in
- Excel DV Venting 5in - 8in

- Empire Flexvent Kit DVVK-5F (Requires 6-inch section of hard vent pipe to raise connection point of flexvent)
- BDM - 5in - 8in
- Metal Fab 5in - 8in (Requires a 5DDA Vent Adapter – Available from the venting supplier)

# VENTING FIREPLACE - TOP

## ⚠ WARNING

Use flue restrictor for vertically terminated fireplaces only.  
Do not use for horizontally terminated fireplaces.

Figures 40 to 43 show the location and recommended opening for the flue restrictor. Installation of restrictor before venting is attached. See Figure 37.

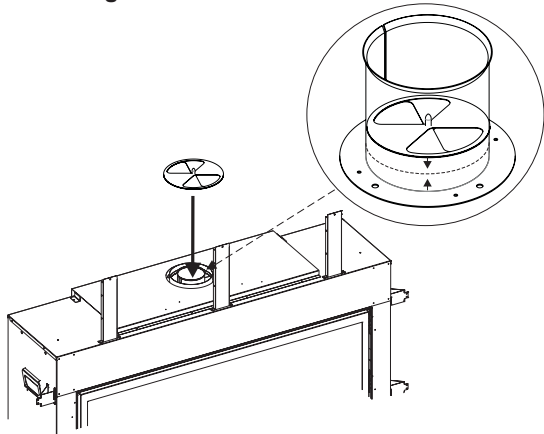


Figure 40

**NOTICE:** When installing flue restrictor, install with screw pointing downward.

For installation of the restrictor after the venting is installed, remove (2) screws from each end of the flue baffle and set aside. Insert the restrictor up into the flue collar and position it as shown in Figures 41 and 42. Then, re-install the flue baffle.

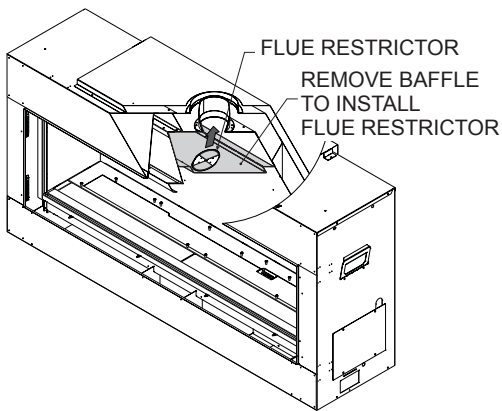


Figure 41

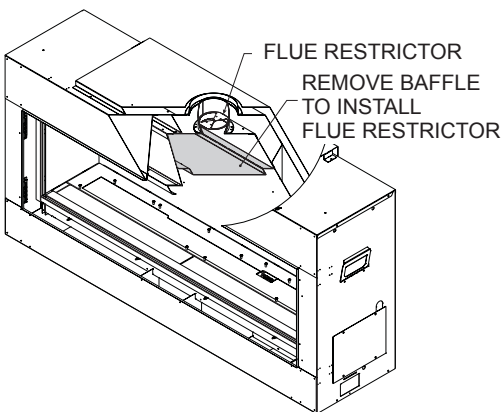


Figure 42

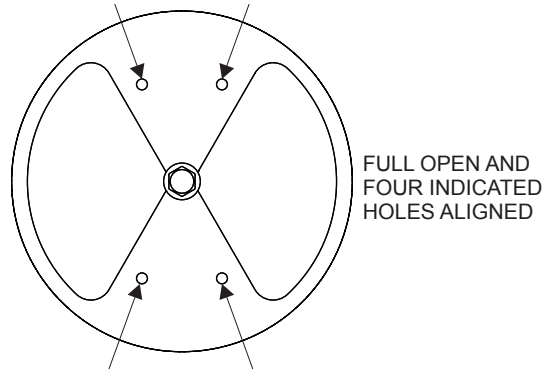
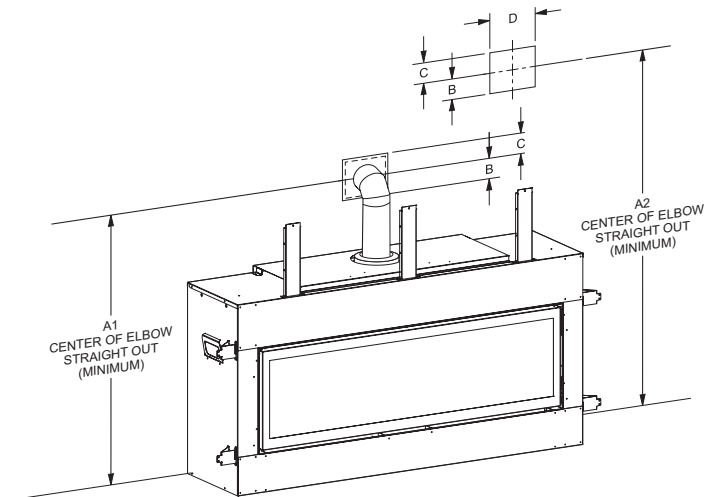


Figure 43



FIREPLACE SERIES	HARD ELBOW DIMENSIONS			
	A1	B	C	D
	(Dimensions in inches)			
DVLL72	56-3/4	5-3/8	7-5/8	10-5/8

FIREPLACE SERIES	FLEX PIPE 90 DEGREE BEND			
	A2	B	C	D
	(Dimensions in inches)			
DVLL72	56-3/4	5-3/5	7-5/8	10-5/8

Minimum hole location dimensions for through-the-wall horizontal installations with 90-degree elbow and 12 inch rise off top of fireplace

See Figure 46 on page 27 for permissible horizontal and vertical run dimensions.

Figure 44

# VENTING FIREPLACE - TOP (CONT'D)

## Positioning the Fireplace

Determine the exact position of the fireplace so the direct-vent termination will be centered (if possible) between two studs. This will avoid any extra framing. All vent kit pipes should be assembled on the fireplace after the fireplace is moved into the final position.

## Cutting the Hole

After the fireplace has been positioned in its permanent location, the hole through the exterior wall can be cut. This hole must be 13-in (330mm) high x 10-5/8-in (270mm) wide with its center line determined by the amount of vertical rise and horizontal run of the termination. **See Figures 44 and 45.** When locating the hole it must be noted that the bottom of the cap must be minimum of 12-in (305mm) above the ground level, and top of the cap must be no less than 18-in (457mm) below a combustible projection, and no closer than 9-in (229mm) to any wall running parallel to vent termination.

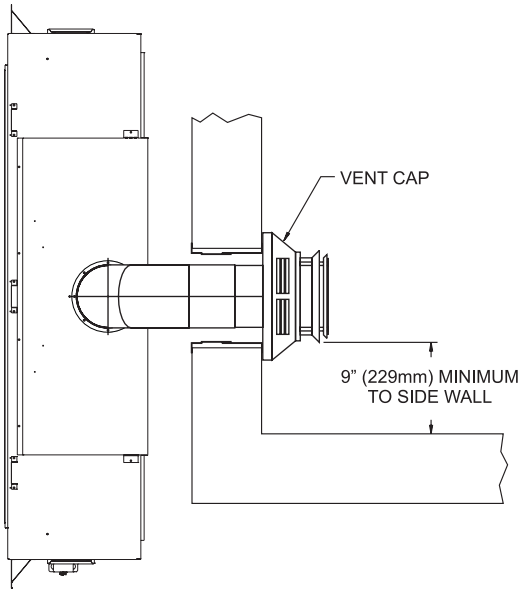


Figure 45

## Below Grade Installation

When it is not possible to meet the required vent termination clearances of 12 inch (305 mm) above grade level, a snorkel kit is recommended. It allows installation depth down to 7 inch (178 mm) below grade level. The 7 inch (178 mm) is measured from the center of the horizontal vent pipe as it penetrates through the wall.

**Ensure the sidewall venting clearances are observed. If venting system is installed below ground, we recommend a window well with adequate and proper drainage to be installed around the termination area.**

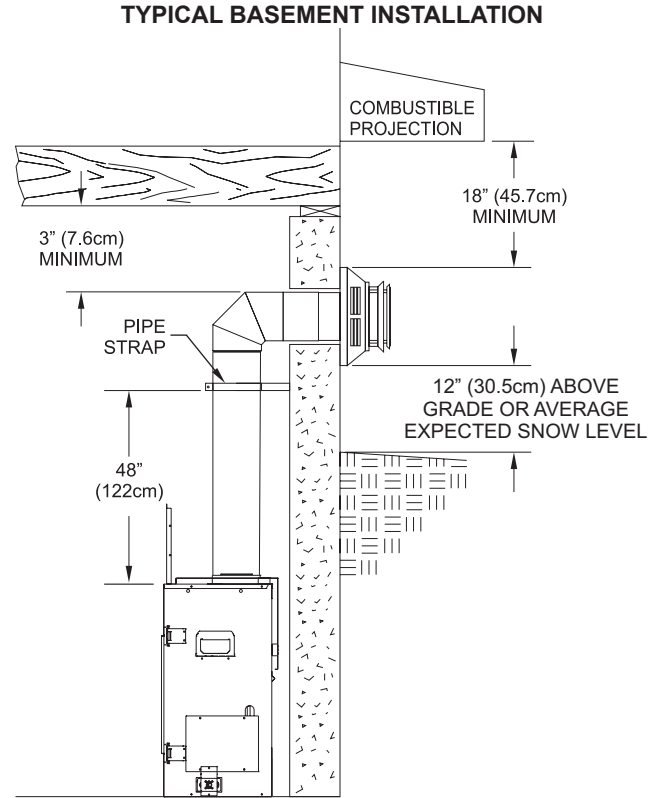


Figure 46

### ATTENTION: Vinyl Soffit, Vinyl Ceiling, Vinyl Overhang Disclaimer

Clearances are to heat resistant material (i.e. wood, metal). This does not include vinyl. Empire Comfort Systems Inc. will not be held responsible for heat damage caused from terminating under vinyl overhangs, vinyl ceilings or vinyl ventilated/unventilated soffits.

# VENTING FIREPLACE - TOP (CONT'D)

## To Use the Vent Graph

1. Determine the height of the center of the horizontal vent pipe. Using this dimension on the Sidewall Vent Graph, locate the point it intersects with the slanted graph line.
2. From the point of this intersection, draw a vertical line to the bottom of the graph.
3. Select the indicated dimension, and position the fireplace in accordance with same.

### EXAMPLE A:

If the vertical dimension from the floor of the fireplace is 32 feet, the horizontal run to the outer wall flange must not exceed 5 feet.

### EXAMPLE B:

If the vertical dimension from the floor of the fireplace is 24 feet, the horizontal run to the outer wall flange must not exceed 10 feet.

### EXAMPLE C:

If the horizontal run to the outer wall flange is 17 feet, the vertical dimension from the floor of the fireplace to the center of the termination must not be less than 7 feet 6 inches.

**SPECIAL NOTE:** For each 45° elbow installed in the horizontal run, the length of the horizontal run MUST be reduced by 18 inches. Reduce by 3 feet for every 90° elbow. This does not apply if the 45° elbows are installed on the vertical part of the vent system.

**Example:** According to the chart the maximum horizontal vent length is 20 feet and if two 45° elbows are required in the horizontal vent it must be reduced to 17 feet.

The maximum number of 45° elbows permitted per side wall installation is two. These elbows can be installed in either the vertical or horizontal run.

The maximum number of 90° elbows in a vent run is three.

VENTING GRAPH (Dimensions in Feet)

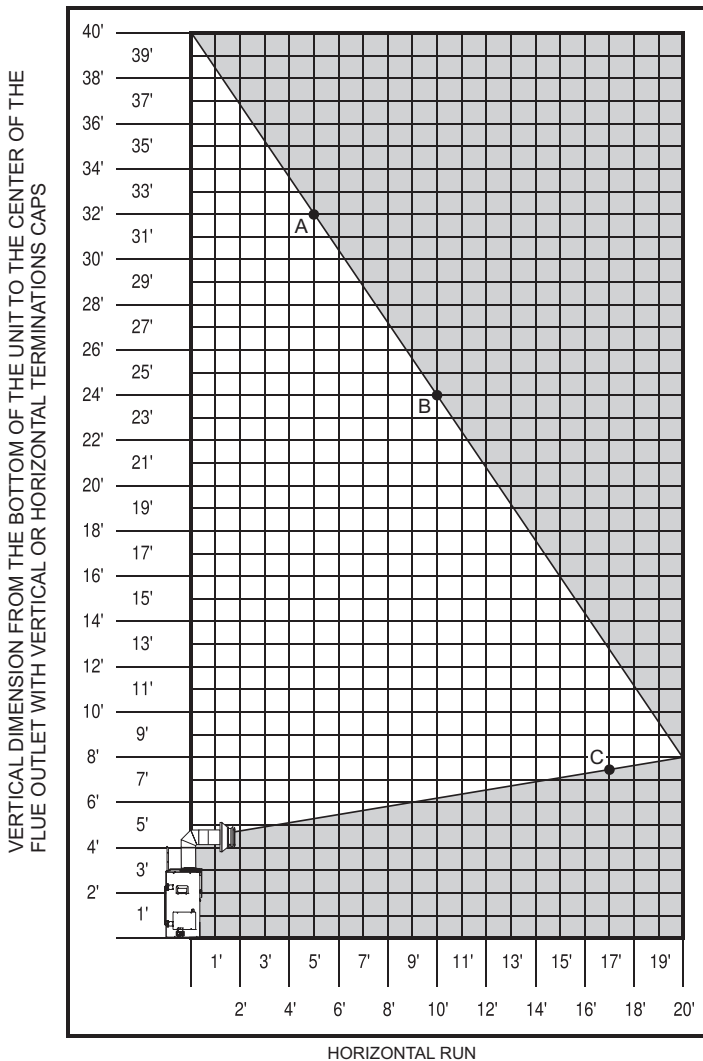
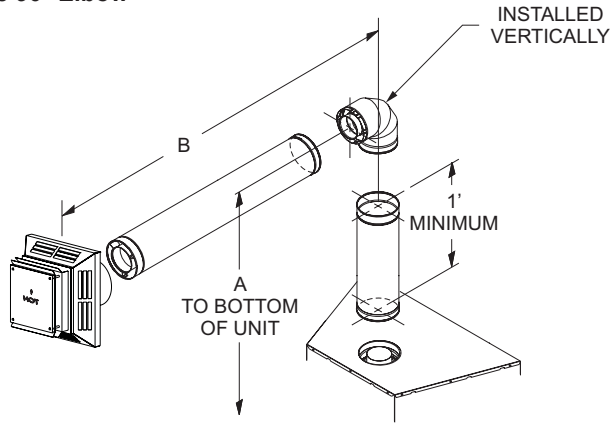


Figure 47

- Acceptable vertical and horizontal vent run. (40' maximum vertical and 20' maximum horizontal)
- Unacceptable vertical and horizontal vent run. See text above for Examples A, B and C.

# TOP VENT - HORIZONTAL TERMINATION

## One 90° Elbow



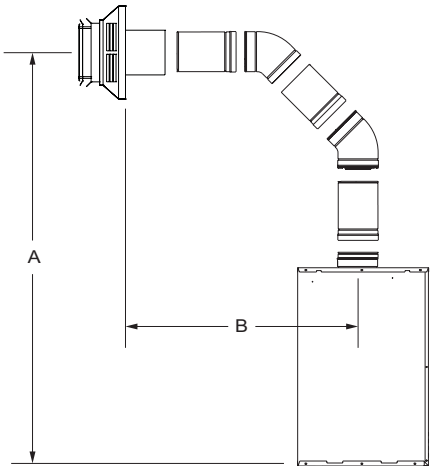
EXAMPLE VENT RUNS		
INITIAL PIPE LENGTH	A (Vertical)	B (Horizontal) MAXIMUM
(Dimensions in inches)		
12	55	Natural - 24 Propane - 12
24	67	42
36	79	108 (9ft)
48	91	168 (14ft)

Figure 48

**NOTICE:** Pipe straps must be used every 2 feet to secure venting.

## Two 45° Elbows

Installation requirements to replace the first 90° elbow with two 45° elbows:

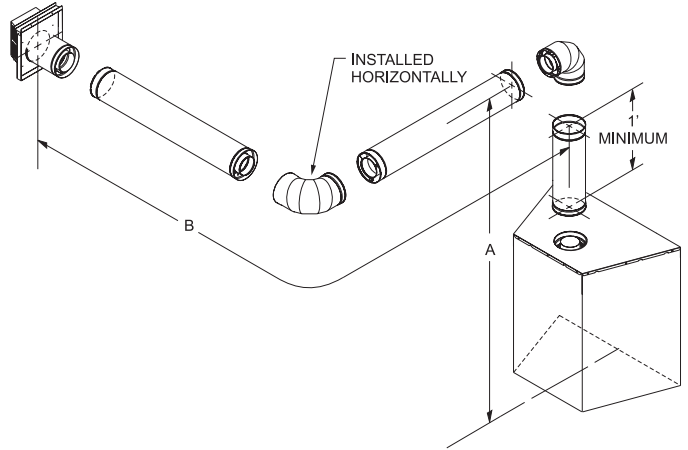


EXAMPLE VENT RUNS		
INITIAL PIPE LENGTH	A (Vertical)	B (Horizontal) MAXIMUM
(Dimensions in inches)		
12	66	72
24	80	132 (11ft)
36	91	204 (17ft)
48	103	240 (20ft)

Figure 49

## Two 90° Elbows

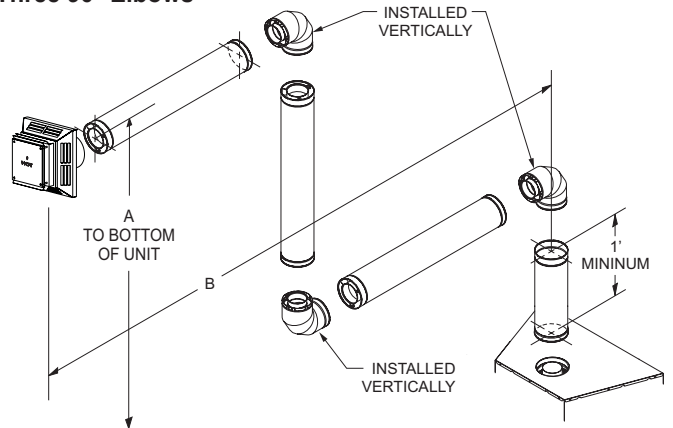
**NOTICE:** Subtract 3 feet from the total horizontal measurement for each 90° elbow installed horizontally. Subtract 1-1/2 feet from the total horizontal measurement for each 45° elbow installed horizontally.



EXAMPLE VENT RUNS		
INITIAL PIPE LENGTH	A (Vertical)	B (Horizontal) MAXIMUM
(Dimensions in inches)		
12	55	0'
24	67	6
36	79	72 (6ft)
48	91	132 (11ft)

Figure 50

## Three 90° Elbows

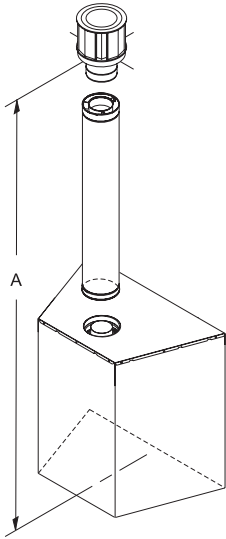


EXAMPLE VENT RUNS		
INITIAL PIPE LENGTH	A (Vertical)	B (Horizontal) MAXIMUM
(Dimensions in inches)		
12	55	18
24	67	24 (2ft)
36	79	90 (7ft, 6in)
48	91	114 (9ft, 6in)

Figure 51

# TOP VENT - VERTICAL TERMINATION

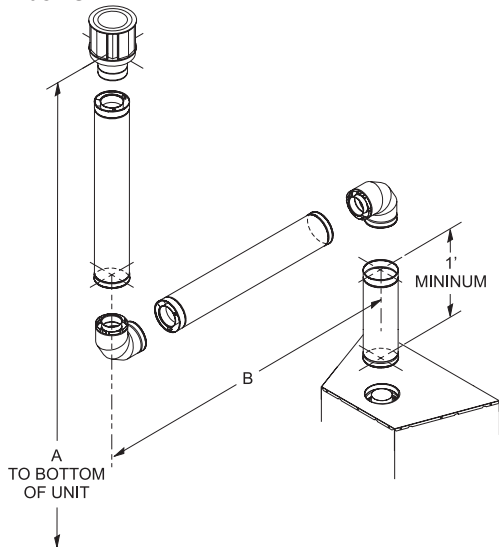
## No Elbows



DIMENSIONS (in inches)	
MINIMUM	MAXIMUM
120 (10ft)	480 (40ft)

Figure 52

## Two 90° Elbows



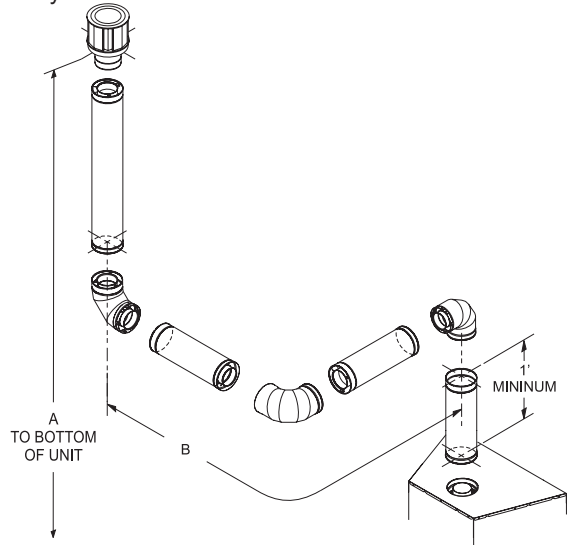
EXAMPLE VENT RUNS		
INITIAL PIPE LENGTH	A (Vertical) MINIMUM	B (Horizontal) MAXIMUM
(Dimensions in inches)		
12	120 (10ft)	222 (18ft, 6in)
24	120 (10ft)	222 (18ft, 6in)
36	120 (10ft)	222 (18ft, 6in)
48	120 (10ft)	222 (18ft, 6in)

\*Maximum horizontal run is 100% of vertical, but cannot exceed 20 feet.

Figure 53

## Three 90° Elbows

**NOTICE:** Subtract 3 feet from the total horizontal measurement for each 90° elbow installed horizontally. Subtract 1-1/2 feet from the total horizontal measurement for each 45° elbow installed horizontally.



EXAMPLE VENT RUNS		
INITIAL PIPE LENGTH	A (Vertical) MINIMUM	B (Horizontal) MAXIMUM
(Dimensions in inches)		
12	120 (10ft)	186 (15ft, 6in)
24	120 (10ft)	186 (15ft, 6in)
36	120 (10ft)	186 (15ft, 6in)
48	120 (10ft)	186 (15ft, 6in)

\*Maximum horizontal run is 100% of vertical, but cannot exceed 17 feet.

Figure 54

# VERTICAL TERMINATION

Locate and mark the center point of the vent pipe using a nail on the underside of the roof. Drive the nail through the center point. Mark the outline of the roof hole around this center point.

**NOTICE:** Size of the roof hole dimensions depend on the pitch of the roof. There must be a 1 inch (25 mm) clearance to the vertical pipe sections. This clearance is to all combustible material.

Cover the opening of the vent pipe and cut and frame the roof hole. Use framing lumber the same size as the roof rafters and install the frame securely. Flashing anchored to frame must withstand high winds. The storm collar is placed over this joint to make a water-tight seal. Non-hardening sealant should be used to completely seal this flashing installation.

## Determining Minimum Vent Height Above the Roof.

### ⚠ WARNING

Major U.S. building codes specify minimum chimney and/or vent height above the roof top. These minimum heights are necessary in the interest of safety. These specifications are summarized in Figure 55.

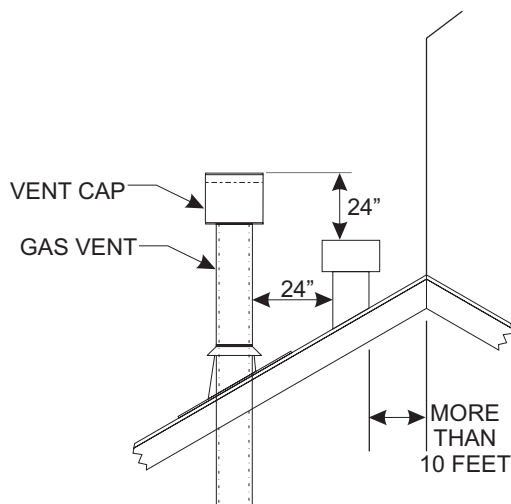


Figure 55

Note that for steep roof pitches, the vent height must be increased. In high wind conditions, nearby trees, adjoining roof lines, steep pitched roofs, and other similar factors can result in poor draft, or down-drafting. In these cases, increasing the vent height may solve this problem.

## Installing the Vent System in a Chase

A chase is a vertical box-like structure built to enclose the gas fireplace and/or its vent system. Vertical vent runs on the outside of a building may be, but are not required to be installed inside a chase.

### ⚠ CAUTION

Treatment of firestop spacers and construction of the chase may vary with the type of building. These instructions are not substitutes for the requirements of local building codes. Check local building codes to determine the requirements for these steps.

**NOTICE:** Build the chase large enough to maintain the minimum clearance of combustible materials (including insulation) to the vent system. When installing the vent system in a chase, insulate the chase as you would the outside walls of your home. This is especially important in cold climates. Upon completion of chase framing, install the vent system by following the instructions in this manual.

The vertical termination cap for this fireplace must not be any closer than 24-in. to combustible materials. See Figure 53.

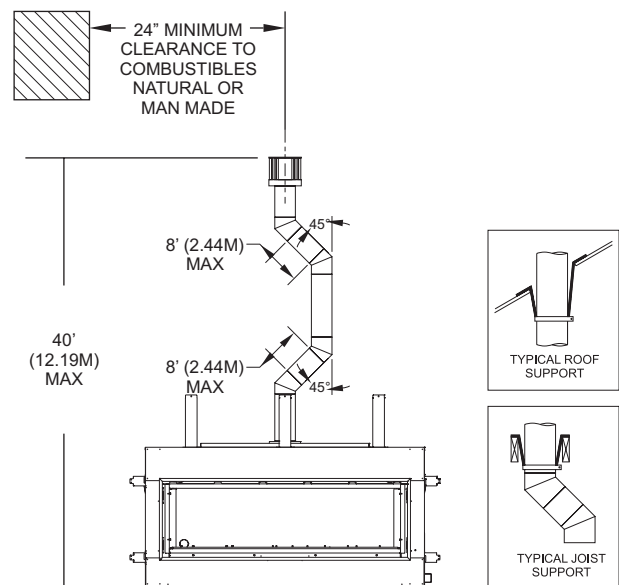


Figure 56

If two vertical terminations are run near each other, they may be placed a minimum of 12 inches between them if they are at the same height. See Figure 54. If two vent terminations are not at the same height, they must be positioned at least 24 inches apart to minimize draft issues between them.

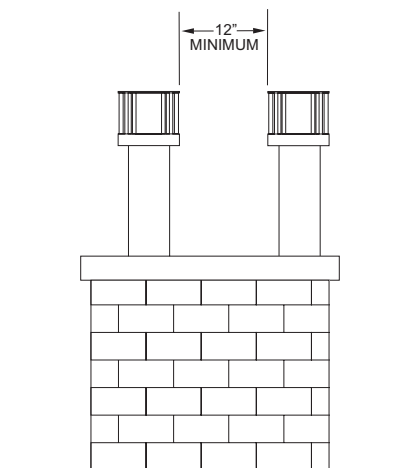


Figure 57



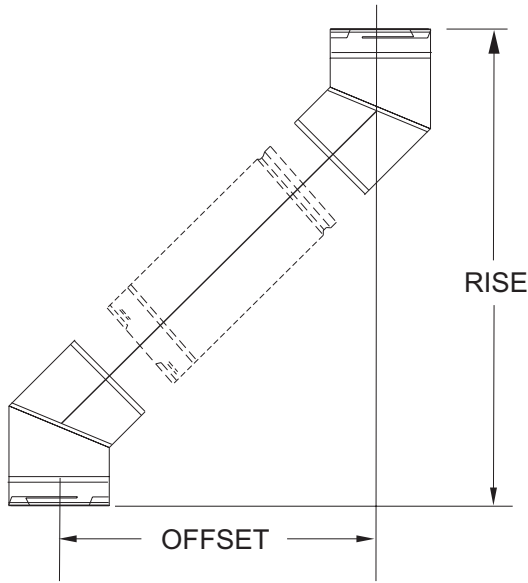
# VERTICAL TERMINATION (CONT'D)

## Vertical Through-the-Roof Applications

Your Gas Fireplace has been approved for:

- Vertical installations up to 40 feet in height.
  - Two sets of 45 degree elbow offsets within these vertical installations. From 0 to a maximum of 8 ft. a vent pipe can be used between elbows.
  - Wall straps must be used to support offset pipe every 4'.
- This application will require that you first determine the roof pitch and use the appropriate venting components.

### OFFSET CHART



SIZE		5-in X 8-in	
ELBOW DEGREES	CHIMNEY SECTION	OFFSET INCHES	RISE INCHES
	(Dimensions in Inches)		
45°	0	5-5/8	15-3/8
45°	6	8-7/8	18-3/8
45°	9	10-7/8	20-5/8
45°	12	13	22-5/8
45°	24	21-3/8	31-1/8
45°	36	29-7/8	39-3/8
45°	48	38-1/4	47-7/8

Figure 58

## General Maintenance

Inspect venting system semi-annually as follows:

- Check for corrosion areas of the venting system exposed to the elements. These will appear as rust spots or streaks and, in extreme cases, holes. Replace damaged components should immediately.
- Remove the cap and shine a flashlight down the vent. Remove any bird nests or other foreign material.
- Check for evidence of excessive condensate, such as water droplets forming in the inner liner and subsequently dripping out at joints. Condensate can cause corrosion of caps, pipe and fittings. It may be caused by having excessive lateral runs, too many elbows and exterior portions of the system being exposed to cold weather.
- Inspect joints to verify that no pipe sections or fittings have been disturbed and, consequently, loosened. Also, check mechanical supports, such as wall straps or plumbers' tape for rigidity.

Venting termination shall not be recessed into a wall or siding. A removable panel or other means must be provided in the enclosure for visual inspection of the flue connection.

**NOTICE:** This also pertains to vertical vent systems installed on the outside of the building.

Slide the vertical vent cap over the ends of the vent pipe and secure. See Figure 59.

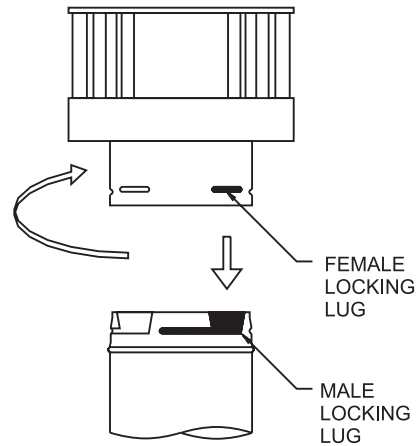


Figure 59

# DVVK-5F FLEX VENT INSTRUCTIONS

The DVVK-5F FLEX VENT KIT includes the following components:

- (1) Horizontal Termination Cap
- (1) 4-foot section of Flex vent with spacers (5-inch flue/ 8-inch outer pipe) with flue adapter collar
- (1) Wall Firestop/Thimble Assembly
- Hardware pack that includes band clamps and screws

Maintain at least 1/2-inch rise for every 12 inches of vent run.

## CAUTION

- Because of sharp edges, always use gloves when handling the flex vent components.
- Always follow the general venting requirements for vent terminal location, vent lengths, and clearance to combustible materials.
- Always stretch and secure venting with wire or metal strapping to ensure that the horizontal runs do not sag.
- Vent connections should overlap a minimum of 1 inch for proper sealing.

**NOTE:** For installation of Flex Venting on Fireplaces that have Flue and Inlet Vent collars flush with top of the fireplace, it is recommended that an SD58DVA-FCF Connector be used. When using the SD58DVA-FCF Flex Vent Connector, it will require removing (or cutting off) the 5" diameter adapter from the DVVK5F Flex Flue. See Step 10b and Figure 62b.

## INSTALLATION

1. Unpack vent components and check that all items are included.
2. Check to see that the vent spacer springs are located around the flue vent at 8 inch intervals along its length. See Figures 60 and 61. If not, stretch the spacer springs to about 15 inches long and wrap them around the flue, then interlock the ends of each spring. Maintain equal distance between spring spacers.

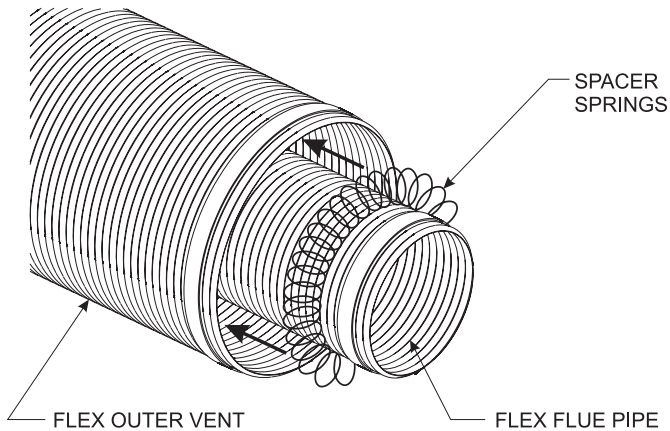


Figure 60

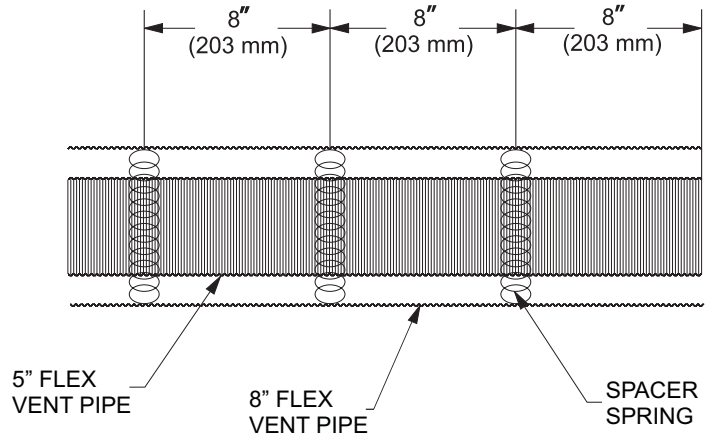


Figure 61

3. Attach a 6-inch piece of hard pipe to raise the connection point above the fireplace.
4. Use existing 8-inch diameter inlet collar to attach outer vent pipe.
5. Install the Wall Firestop/Thimble assembly as required through the wall. Refer to the venting charts in the fireplace manual to determine the proper height and size of the vent opening. The minimum opening should be 10-inches wide by 12-inches high. The minimum combustible clearance from the horizontal vent is 1 inch from sides and bottom, and 3 inches above the vent pipe.
6. In most cases, after determining the length of the vent that is needed, it may be easier to install the flue and outer vent pipes to the Termination Cap first, then from the outside, feed the venting through the wall to the fireplace.
7. If the venting is to long, trim off any excess vent before attaching the vent end connectors.
8. Attach the Termination Cap to the outside of the house.

## CAUTION

Do not use force when installing the Horizontal Vent Termination into the flex venting. Always stretch venting out first, then cut off excess vent material prior to sliding the vent termination into the flue and inlet venting. Forcing the termination cap into the flex venting will deform the flue venting, which will restrict the exhaust gases, and cause improper operation of the fireplace.

# DVVK-5F FLEX VENT INSTRUCTIONS (CONT'D)

9. Prior to making the vent connections, apply high temperature sealant (600°F min.) to the vent connections before securing with the band clamps provided. **NOTE:** the flue pipe end without the adapter is to be installed to the Termination Cap.

**NOTE:** For installation of Flex Venting on Fireplaces that have Flue and Inlet Vent collars flush with top of the fireplace, it is recommended that an SD58DVA-FCF Connector be used. When using the SD58DVA-FCF Flex Vent Connector, it will require removing (or cutting off) the 5" diameter adapter from the DVVK5F Flex Flue. **See Step 10b and Figure 62b.**

- 10a.** Apply sealant to the outside of the flue pipe adapter and connect to the flex flue pipe. Then insert the adapter into the fireplace flue. Secure the flue adapter to the fireplace flue with a minimum of two screws provided. **See Figure 62b.**

Or.....

- 10b.** If using the SD58DVA-FCF Vent Connector, apply sealant to the inside of the 5" diameter flex flue pipe, then connect the flex flue to the 5" flue takeoff on the SD58DVA-FCF Connector. Use a 5" diameter band clamp and a minimum of two screws to secure the flex flue to the SD58DVA-FCF Connector. **See Figure 62b.**

11. Attach the Outer Vent pipe to the 8-inch diameter collar on the fireplace with a large band clamp provided. Sealant may also be used on the outer vent connections.
12. Check all vent connections for tightness. Make sure horizontal venting has the proper rise and combustible clearances required. Refer to venting charts in fireplace instruction manual.

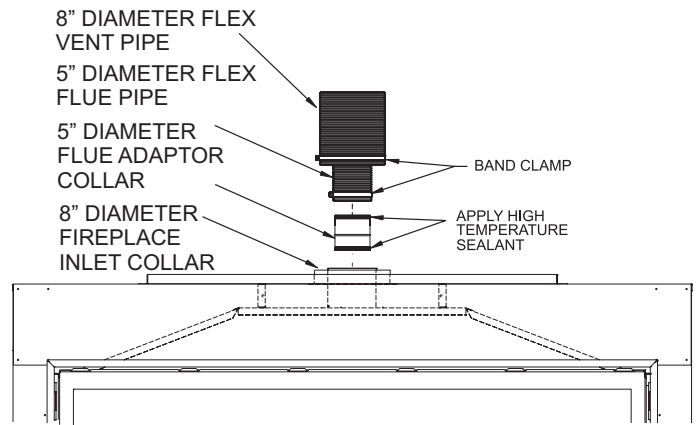


Figure 62a

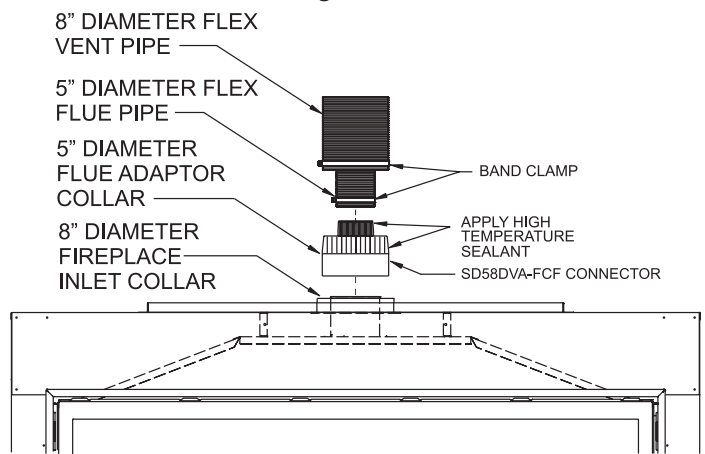


Figure 62b

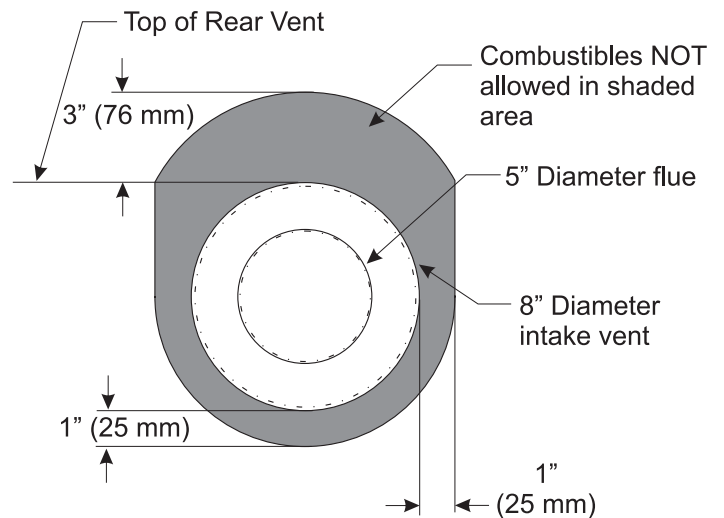


Figure 63

# FRAMING AND FINISHING

## Installing Support Brackets

Install a horizontal pipe support used for each 3 feet of horizontal run to framing members. Allow 3 inch clearance to combustibles above 8-inch diameter pipe and elbows, and 1 inch clearance to both sides and bottom.

Support vertical runs of this vent systems every 4 feet using wall brackets attached to the vent pipe, then secured with nails or screws to structural framing.

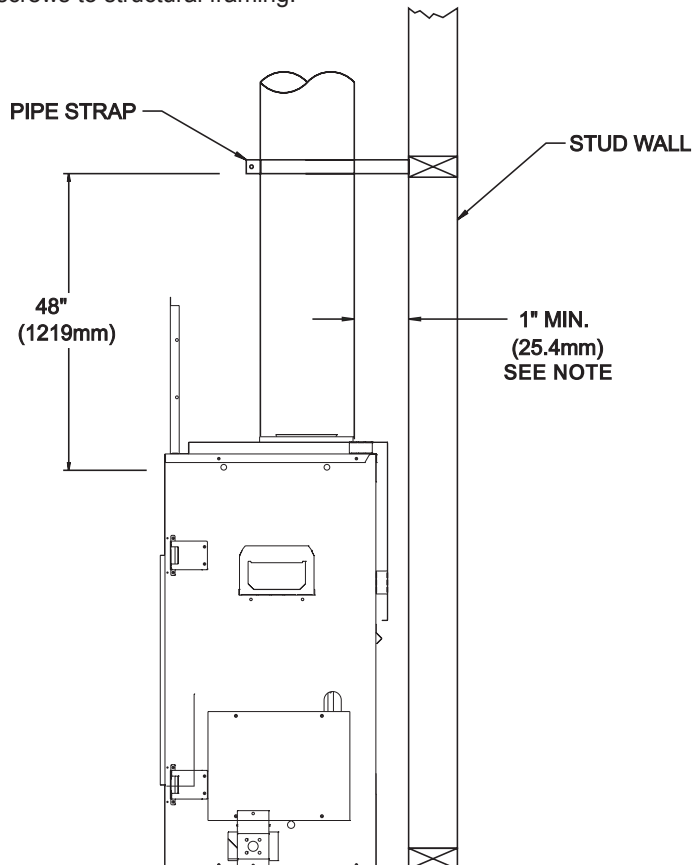


Figure 64

## Installing Firestops

Firestops are required for safety whenever the vent system passes through an interior wall, an exterior wall, or a ceiling. These firestops act as a firebreak heat shield and as a means to insure that minimum clearances are maintained to the vent system.

### Horizontal Firestops

Horizontal runs in the vent system which pass through either interior or exterior walls, require the use of wall firestops on both sides of the wall through which the vent passes.

Position the firestops on both sides of the framed hole, previously cut. A thimble spacer is included with the fireplace, and must be installed under the inside wall firestop thimble base. **See Figure 65.** Secure firestop with nails or screws. Continue the vent run through the firestops.

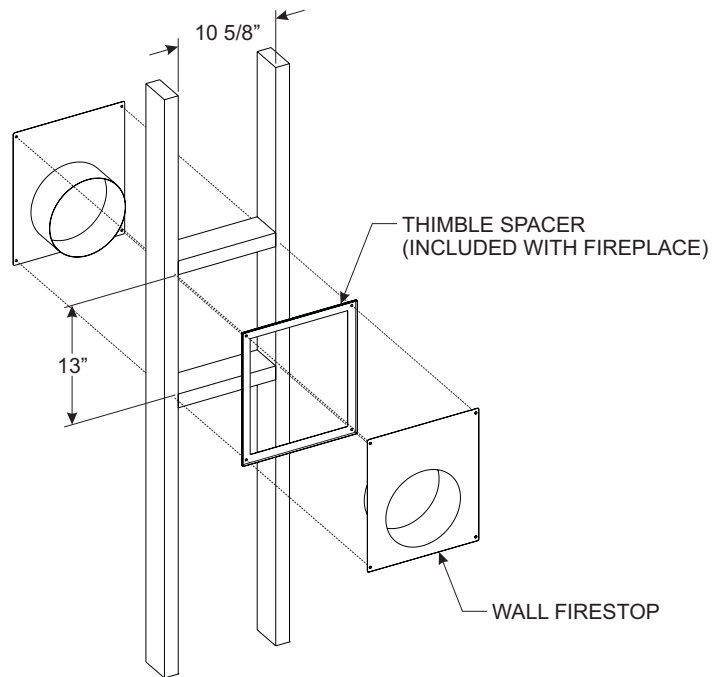


Figure 65

# FRAMING AND FINISHING (CONT'D)

## Vertical Firestops

Vertical runs of this system which pass through ceilings require the use of ONE ceiling firestop at the hole in each ceiling through which the vent passes.

Position a plumb bob directly over the center of the vertical vent component and mark the ceiling to establish the center point of the vent. Drill a hole or drive a nail through this center point and check the floor above for any obstructions such as wiring or plumbing runs. Reposition the fireplace and vent system, if necessary, to accommodate ceiling joists and/or obstructions.

Cut a 10-5/8 inch x 10-5/8 inch hole through the ceiling, using the center point previously marked. Frame the hole with framing lumber the same size as the ceiling joists. **See Figure 66.** If the area above the ceiling is NOT an attic, position and secure the ceiling firestop on the ceiling side of the previously cut and framed hole. **See Figure 67.**

If the area above the ceiling is an attic, position and secure the firestop on top of the previously framed hole. **See Figure 68.**

**NOTICE:** Remove insulation from the framed area in the attic before installing the firestop and/or vent pipes.

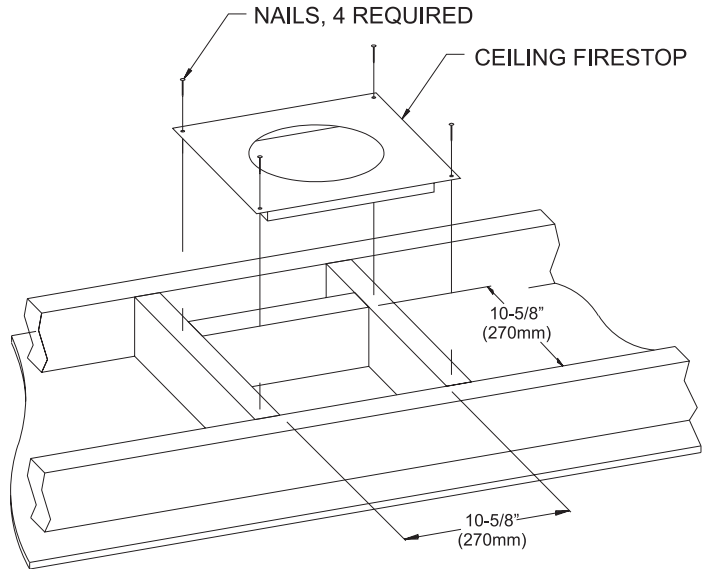


Figure 68

## Finishing

Finish the walls with the material of your choice. **Figure 12** on page 12 shows the minimum vertical and corresponding maximum horizontal dimensions of mantels or other combustible projections above the top front edge of the fireplace.

Only non-combustible materials may be used to cover the black fireplace front.

### ⚠ WARNING

When finishing the fireplace never obstruct or modify the air inlet/outlet louvers in any manner. Provide adequate clearances around air openings into the combustion chamber.

### ⚠ CAUTION

If the joints between the finished wall and the fireplace surround (top and sides) are sealed, a 300 Degree F minimum sealant material must be used. These joints are not required to be sealed. Only non-combustible material (using 300 Degree F minimum adhesive if needed), can be applied as facing to the fireplace surround.

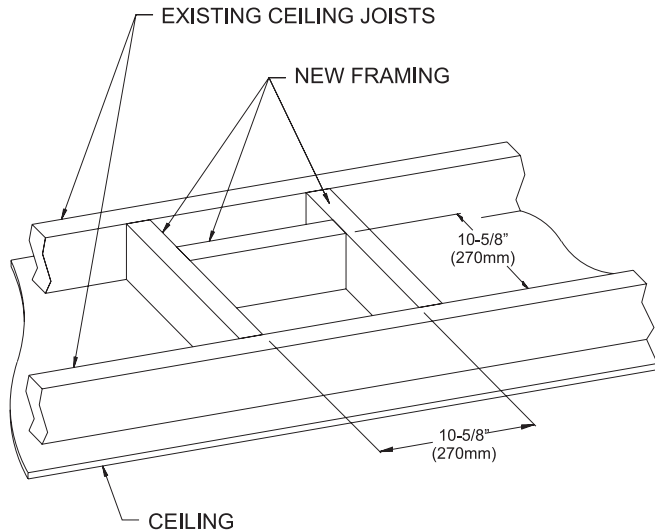


Figure 66

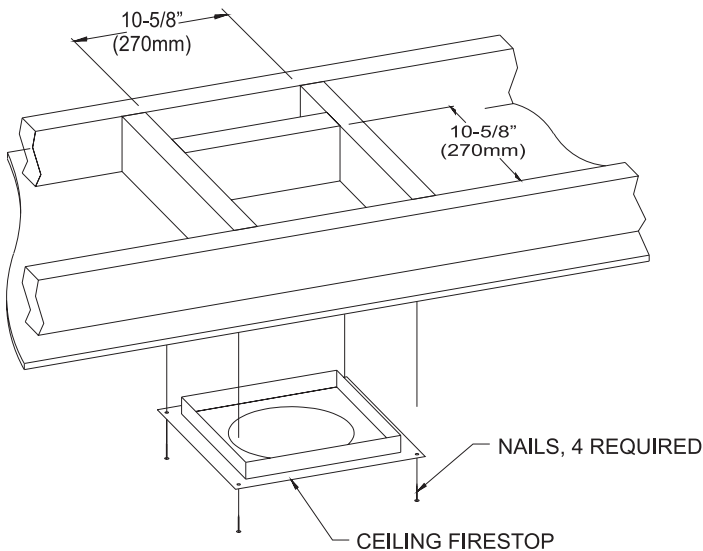
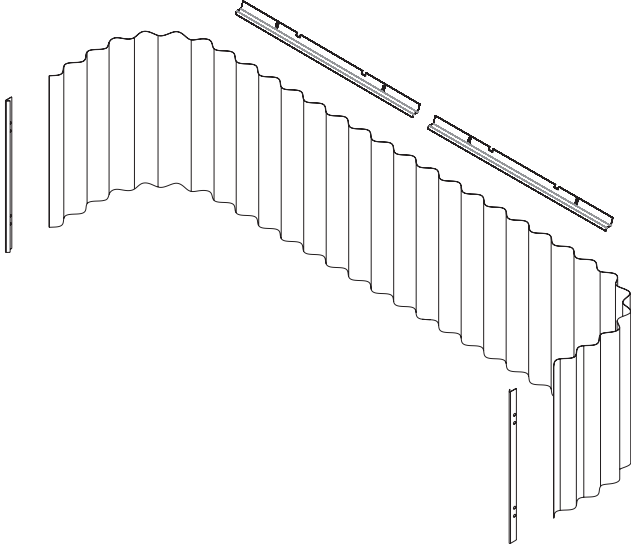


Figure 67

# LINER INSTALLATION

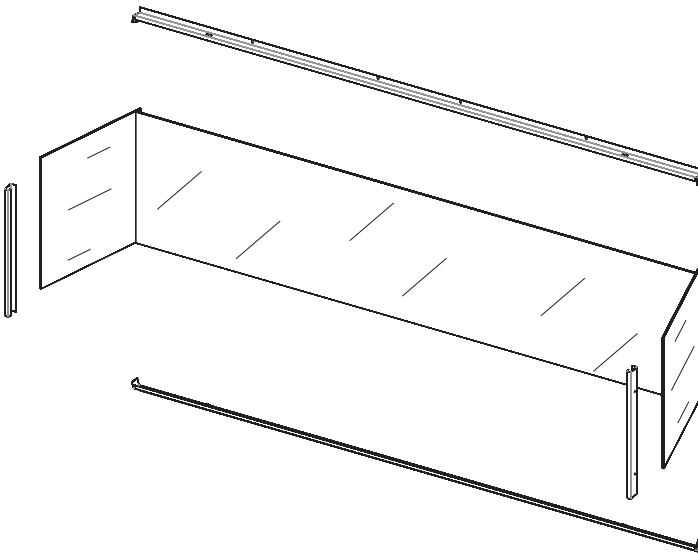
**NOTICE:** A liner is required for operation of this fireplace. Refer to the instructions that came with your liner for proper installation.

**DVP72LPZ - Bronze Ridgeback Liner Kit**



**Figure 69**

**DVP72LKR - Black Glass Liner Kit**



**Figure 70**

# DECORATIVE GLASS PLACEMENT

## Preparation of fireplace prior to decorative glass placement

1. **DVLL72BP:** Remove the Barrier Screen and Glass Door Assembly.

### ⚠ CAUTION

Turn off all power to the fireplace prior to installing liners or servicing the controls.

2. If a liner kit has not been installed, STOP and install one before proceeding with media placement. A liner is required.
3. If applicable, install one of the optional log sets.
4. Add the decorative crushed glass media of your choice at this time. Crushed glass may cover the complete burner and burner screen.

**NOTICE:** Clear crushed glass is recommended on the screen cover to allow the LED lighting to shine through the glass. Other crushed glass colors can be used over the burner, or sprinkled with clear glass to accent as desired.

Place crushed glass media over the burner and burner screen in a single layer. Use just enough crushed glass media to mask the burner and burner screen (6 sq. ft. minimum). See Figure 71.

### Glass Quantity:

- **DVLL72BP:** Use up to (8 sq. ft. of 1/4-inch) crushed glass.

**NOTICE:** On the Propane Gas burner, an extra layer or two of crushed glass on top of the burner may be applied to soften the flames. Do not use excessive amounts of crushed glass or sooting may occur.

**NOTICE:** 1/4-inch crushed glass media is required on the burner and the burner screen. Do not place crushed glass in the pilot recessed area.

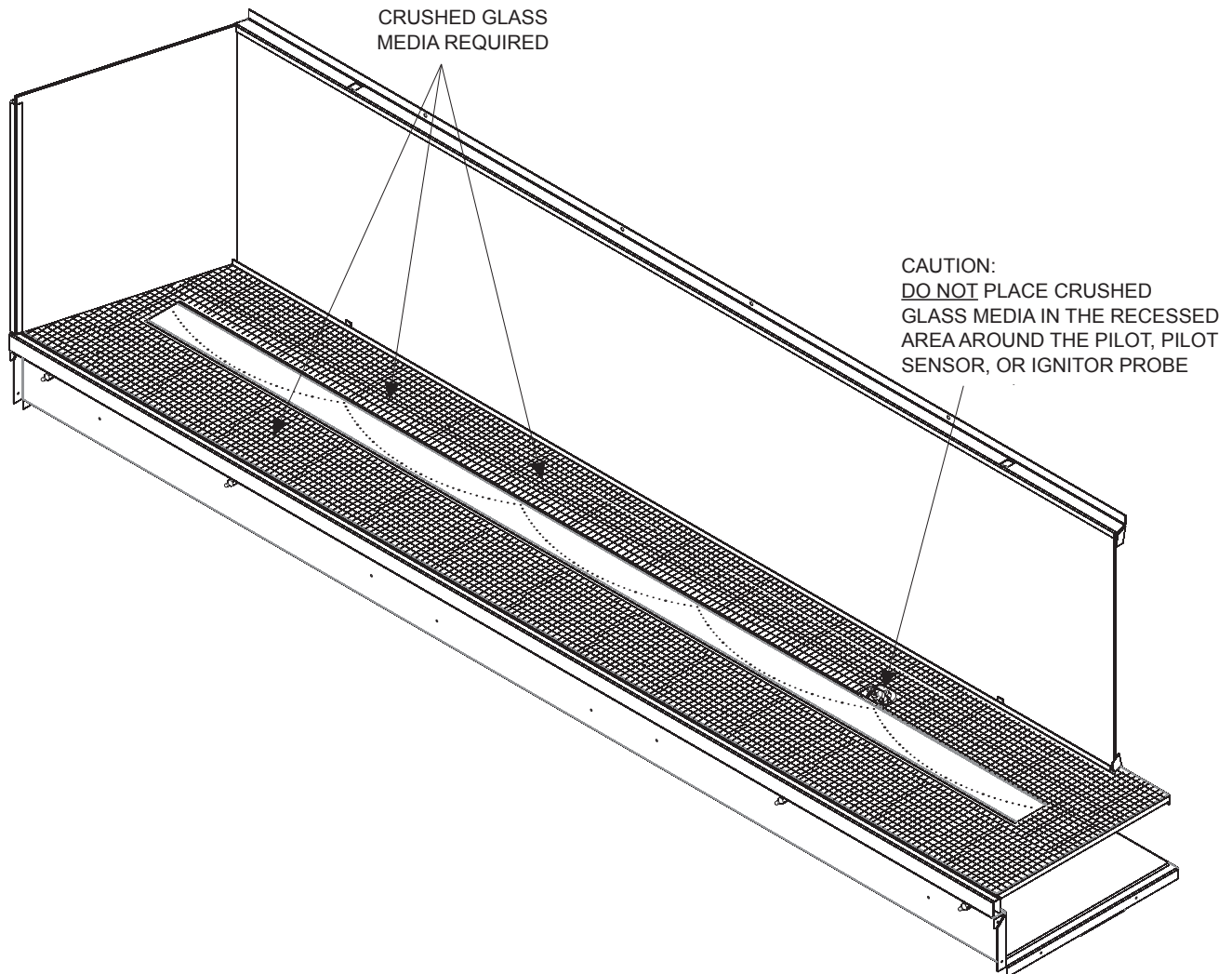


Figure 71

# MULTIFUNCTION REMOTE OPERATING INSTRUCTIONS

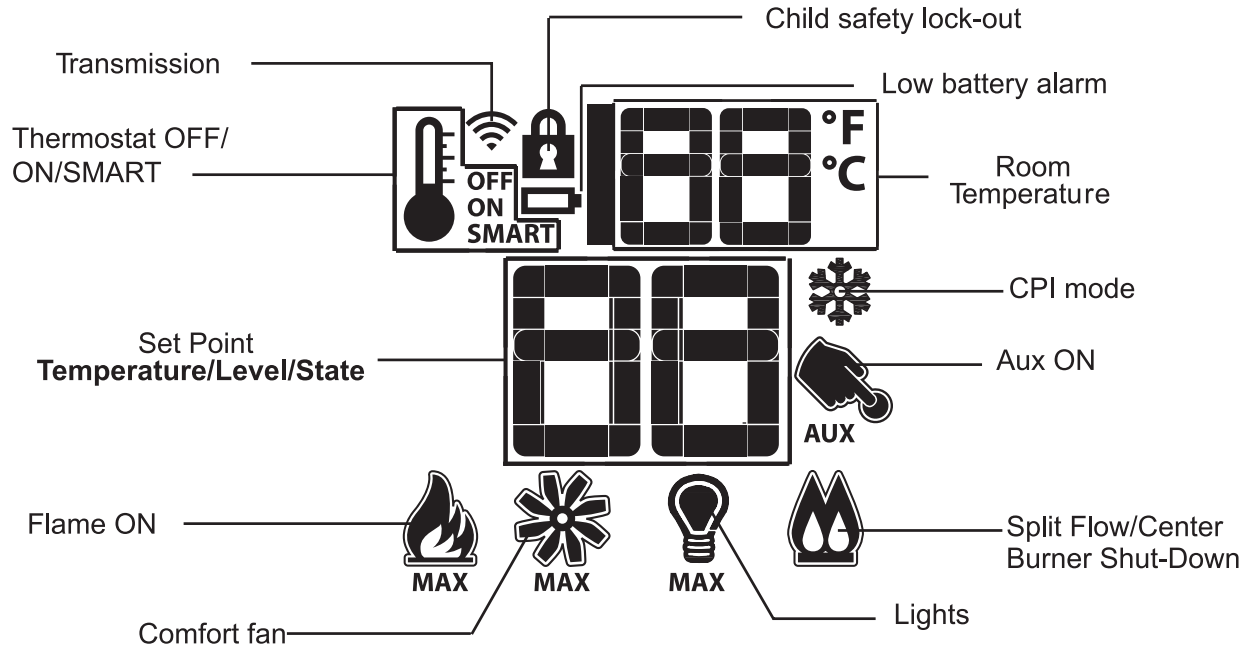


Figure 72

TECHNICAL DATA	
Remote Control	
Supply voltage	4.5 V (three 1.5 V AAA batteries)
Ambient temperature ratings	0-50°C (32 - 122°F)
Radio frequency	315 MHz

**⚠ WARNING**

The transmitter and receiver are radio frequency devices. Placing the receiver in or near metal may severely reduce the signal range.

**⚠ WARNING**

Turn off the main gas supply and electrical supply to the fireplace during installation and/or maintenance of the receiver device.

**⚠ WARNING**

**FIRE HAZARD.**  
Can cause severe injury or death. The receiver causes ignition of the fireplace. The fireplace can turn on suddenly. Keep away from the fireplace burner when operating the remote system or activating manual bypass of the remote system.

**⚠ CAUTION**

**PROPERTY DAMAGE HAZARD.**  
Excessive heat can cause property damage. The fireplace can stay lit for many hours. Turn off the fireplace if it is not going to be attended for any length of time. Always place the Transmitter where children can not reach it.

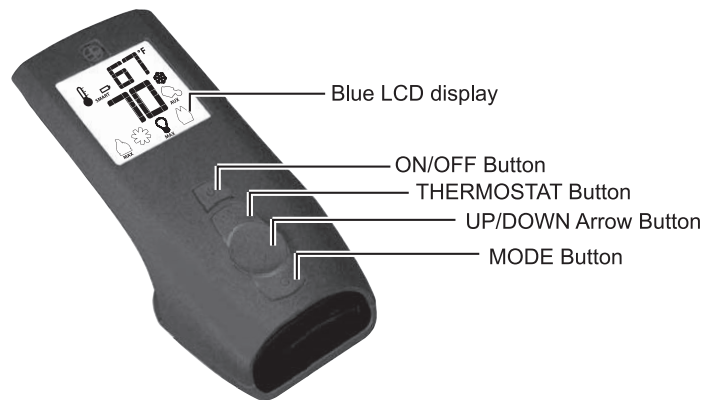


Figure 73

**NOTICE:** Not all features called out in the diagram above are available on this fireplace.

**NOTICE:** This control system includes a Battery Back-up pack that allows the Fireplace to operate in the event of a power outage.

**NOTICE:** The Accent Light and/or Blower features will not operate during a power outage.

**NOTICE:** Replace all Batteries at least once each year, preferably before at the beginning of the season.

**⚠ CAUTION**

**FIRE OR EXPLOSION HAZARD.**  
Can cause property damage, sever injury or death. Do not attempt to take apart the gas control or to clean it. Improper assembly and cleaning can cause unreliable operation.



# MULTIFUNCTION REMOTE OPERATING INSTRUCTIONS

## Initializing the System for the First Time

1. Remove the wall cover. Open the wall mounted battery back-up holder. **See Figure 74.** Install the four AA batteries into the wall mounted battery back-up holder then reinstall the cover. **See Figure 75.**
2. Install three AAA batteries into the battery bay located on the base of the transmitter. **See Figure 76.**
3. Set the wall remote slide switch to the REMOTE position. **See Figure 75.**
4. Press and release the SWI button on the wall control with a paper clip and the IFC module will beep three times to indicate the IFC module is ready to synchronize with the transmitter within ten seconds. **See Figure 75.**

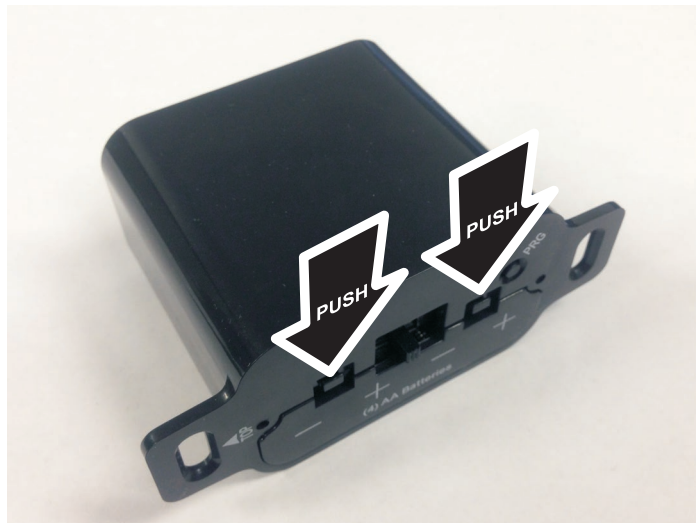


Figure 74

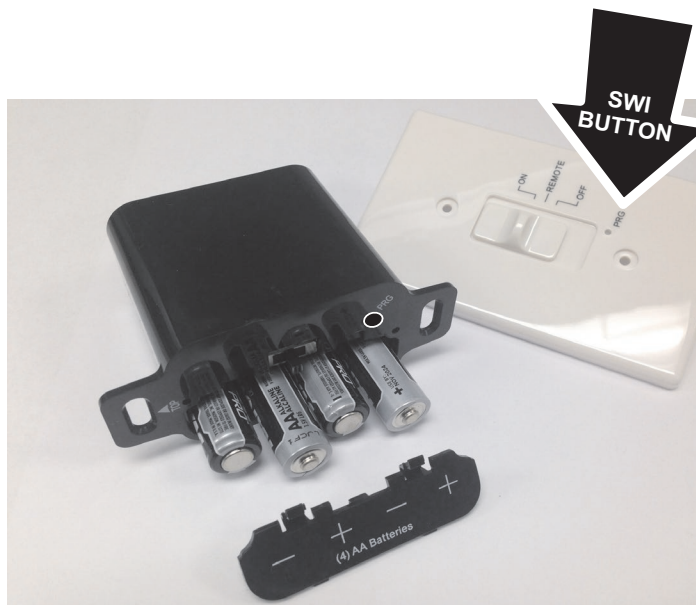


Figure 75

5. With the batteries already installed in the Transmitter, push the ON button. The Receiver will beep four times to indicate the Transmitter's command is accepted and sets to the matching code of that Transmitter. The system is now initialized.



Figure 76

## Temperature Indication Display °C or °F

With the system in the OFF position, press the Thermostat Button and the Mode Button at the same time. Look at the LCD screen on the Transmitter to verify that a °C or °F is visible to the right of the Room Temperature display. **See Figures 77 and 78.**

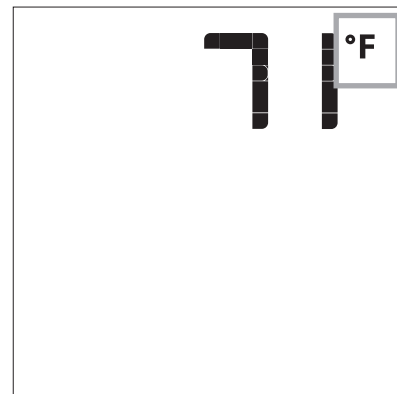


Figure 77

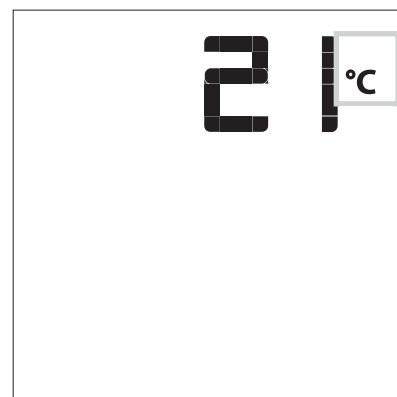


Figure 78

# MULTIFUNCTION REMOTE OPERATING INSTRUCTIONS

## Turn On the Fireplace

With the system OFF, press the ON/OFF Button on the Transmitter. The Transmitter display will show some other active icons on the screen. At the same time the Receiver will activate the fireplace. A single beep from the Receiver will confirm reception of the command.

## Turn OFF the Fireplace

With the system ON, press the ON/OFF Button on the Transmitter. The Transmitter LCD display will only show the room temperature. **See Figure 79.** At the same time the Receiver will turn off the fireplace. A single beep from the Receiver confirms reception of the command.



Remote Control Display - Figure 79

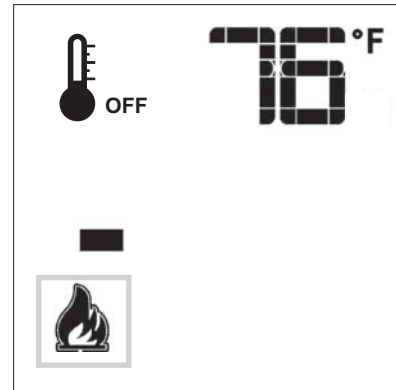
## Remote Flame Control

The Proflame control has six flame levels. With the system on, and the flame level at maximum, each press the Down Arrow Button once will reduce the flame height by one step—until the flame is turned off.

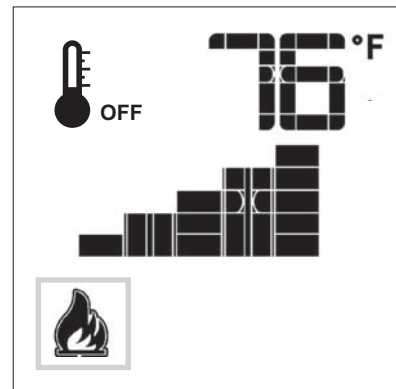
The Up Arrow Button will increase the flame height each time it is pressed. If you press the Up Arrow Button while the system is on but the flame is off, the flame will come on in the high position. **See Figures 80 through 83.** A single beep will confirm reception of the command.



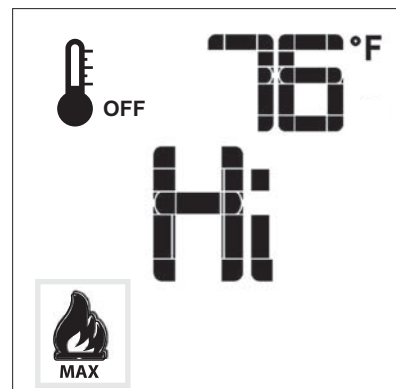
Flame Off - Figure 80



Flame Level 1 - Figure 81



Flame Level 5 - Figure 82



Flame Level Maximum - Figure 83

# MULTIFUNCTION REMOTE OPERATING INSTRUCTIONS

## Room Thermostat (Transmitter Operation)

The Remote Control can operate as a room thermostat. The thermostat can be set to a desired temperature to control the comfort level in a room. To activate this function, press the Thermostat Button **Figure 73**. The LCD display on the Transmitter will change to show that the room thermostat is ON and the set temperature is now displayed. **See Figure 84**. To adjust the set temperature, press the Up or Down Arrow Buttons until the desired set temperature is displayed on the LCD screen of the Transmitter. **See Figure 85**.

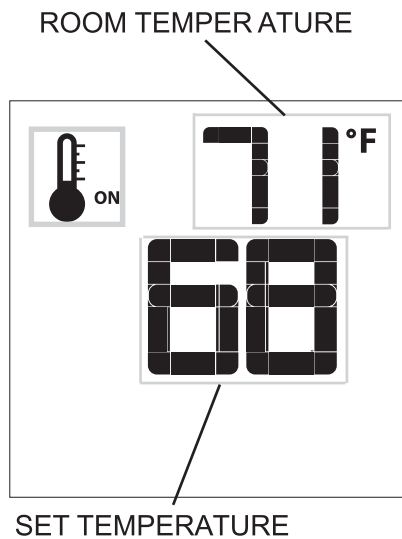


Figure 84

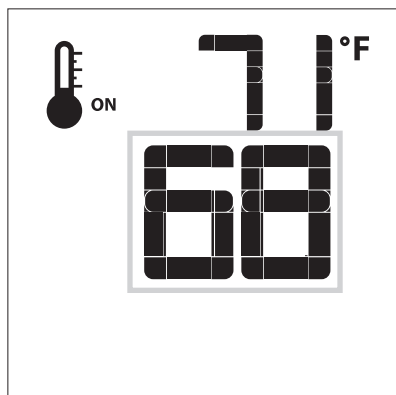


Figure 85

## Smart Thermostat (Transmitter Operation)

The Smart Thermostat function adjusts the flame height in accordance to the difference between the set point temperature and the actual room temperatures. As the room temperature gets closer to the set point the Smart Function will modulate the flame down. To activate this function, press the Thermostat Button until the word SMART appears to the right of the temperature bulb graphic. **See Figure 86**. To adjust the set temperature, press the Up or Down Arrow Buttons until the desired set temperature is displayed on the LCD screen of the Transmitter. **See Figure 87**.

**NOTICE:** When Smart Thermostat is activated, manual flame height adjustment is disabled.

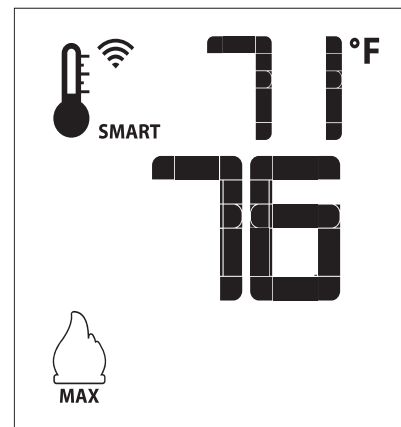


Figure 86

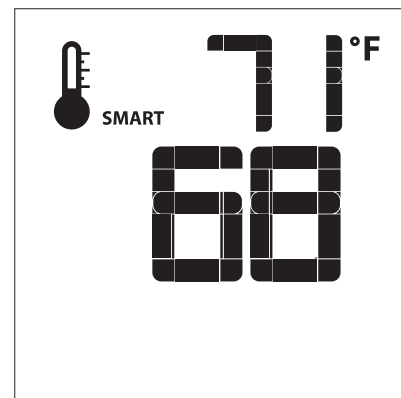


Figure 87

## Manual ON/OFF (Transmitter Operation)

The Thermostat Feature may be disabled so the fireplace will operate only in manual mode.

With all (3) AAA type batteries installed:

1. Take out one AAA battery.
2. While re-inserting the battery, push and hold down the thermostat button. This will disable the thermostat feature on the transmitter.

# MULTIFUNCTION REMOTE OPERATING INSTRUCTIONS

## Blower Control

If the fireplace is equipped with a blower assembly, the fan speed can be controlled by the Proflame remote. The fan can be adjusted through six speeds. To activate this function, use the Mode Button **Figure 71** to index the fan control icon. **See Figure 88**. Use the Up/Down Arrow Buttons **Figure 71** to adjust the fan speed. **See Figure 89**. A single beep will confirm reception of the command.



Figure 88

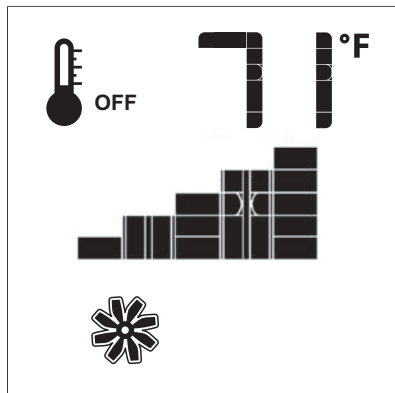


Figure 89

Remote Dimmer Control (Light) — Not applicable on DVLL72BP Models.

Split Flow Control (Option not available for the DVLL72BP Series Fireplaces)

# MULTIFUNCTION REMOTE OPERATING INSTRUCTIONS

During a prolonged power outage, the fireplace can operate in Continuous Pilot Mode. This reduces drain on the batteries used to ignite the burner and ensures the fireplace will continue to operate throughout the outage.

## Continuous Pilot/Intermittent Pilot (CPI/IPI) Selection

With the system in OFF position press the Mode Button **Figure 70** to index to the CPI mode icon. **See Figures 90 and 91.**

Pressing the Up Arrow Button will activate the CPI. Pressing the Down Arrow Button will return to IPI. A single beep will confirm the reception of the command.

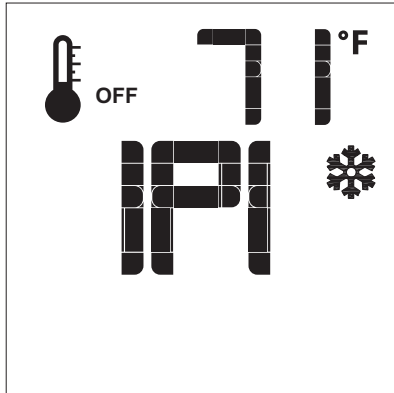


Figure 90

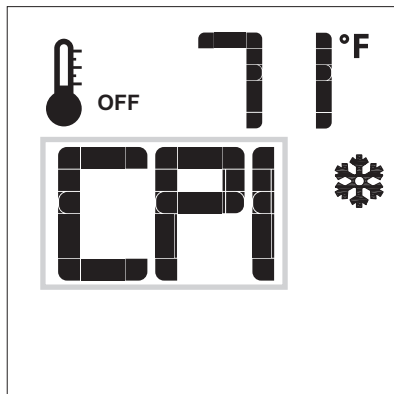


Figure 91

## Button Lock

This function will lock the Buttons to prevent unsupervised operation.

To activate this function, press the MODE and UP Buttons at the same time. **See Figure 92.**

To deactivate this function, press the MODE and UP Buttons at the same time.

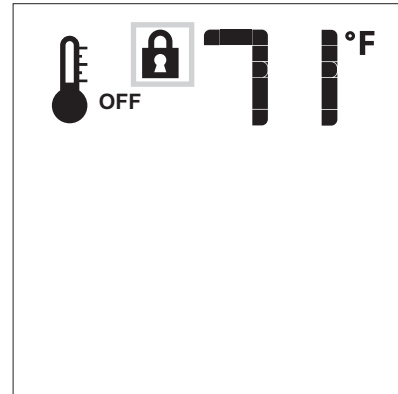


Figure 92

## Low Battery Power Detection - Transmitter

The life span of the remote control batteries depends on various factors:

- Quality of the batteries
- How frequently the fireplace cycles on and off

When the transmitter batteries are low, an Icon will appear on the LCD display of the transmitter. **See Figure 93** before all battery power is lost. When the batteries are replaced this Icon will disappear.

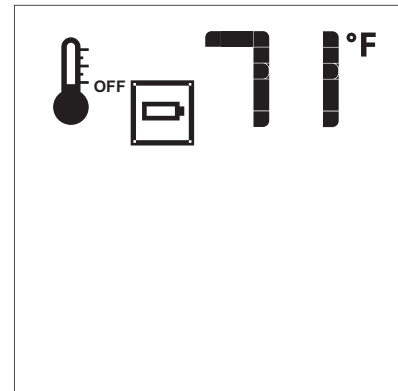


Figure 93

# MULTIFUNCTION REMOTE OPERATING INSTRUCTIONS

## Using the Fireplace without a Remote Control

The fireplace can be turned ON (HI only) and OFF with the wall switch. The fireplace flame ON/OFF is the only function that will operate; no flame adjustment, light or blower will work when using the wall switch. The wall control switch should be turned OFF when the fireplace is not being used for extended periods of time.

## Battery Backup Operation

Install batteries (See initialization sequence on page 41). In case of power loss, the fireplace will switch to battery mode automatically. The fireplace will operate normally without the fan or light control when in battery mode.

## Low Battery Detection

When the backup batteries are low, the module emits a double-beep when it receives an on/off command. The system will not accept any commands until the batteries are replaced or A/C power is restored.

## Lockout State Definition

To prevent damage to the fireplace, IFC board will automatically lockout the remote control if it detects a anomalous flame or too many unsuccessful ignition attempts. The lockout state will remain as long as the power supplies are applied.

When the IFC board goes into lockout state:

1. both the Pilot and the Main Burner solenoids in the gas valve are de-energized;
2. a diagnostic code is sent through the diagnostic red LED.
3. the IFC board will ignore any burner ignition command and remain in the OFF state unless the unlock command sequence is met.

Turn the system power supplies (to the wall control or remote control) OFF for two or three seconds and then restore power. If the lockout reoccurs, call your dealer. The causes of lockout must be investigated under safe conditions by trained service personnel.

# INTERMITTENT PILOT LIGHTING INSTRUCTIONS



## FOR YOUR SAFETY READ BEFORE LIGHTING

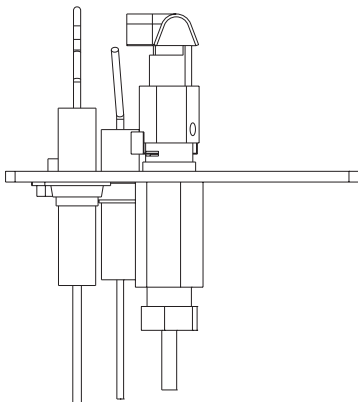
### ⚠ WARNING

**If you do not follow these instructions exactly, a fire or explosion may result causing property damage, personal injury or loss of life.**

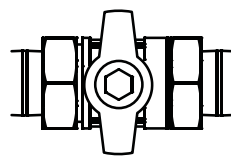
- A. This appliance has a pilot which can be lit with the manual on/off switch, a remote control, or by switching the remote receiver switch to the "ON" position. When lighting the pilot, follow these instructions exactly.
- B. Before lighting smell all around the appliance area for gas. Be sure to smell next to the floor because some gas is heavier than air and will settle on the floor.
- What To Do If You Smell Gas
- Do not try to light any appliance.
  - Do not touch any electrical switch;
  - Do not use any phone in your building.
  - Immediately call your gas supplier from a neighbor's phone. Follow the gas supplier's instructions.
  - If you cannot reach your gas supplier, call the fire department.
- C. Use only the remote control or manual remote receiver switch to operate the gas valve. Never use tools. If valve does not operate, don't try to repair it, call a qualified service technician. Force or attempted repair may result in a fire or explosion.
- D. Do not use this appliance if any part has been under water. Immediately call a qualified service technician to inspect the appliance and to replace any part of the control system and any gas control which has been under water.

## LIGHTING INSTRUCTIONS

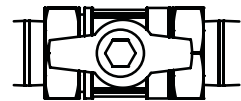
1. STOP! Read the safety information above.
2. Turn OFF electric power to the appliance.
3. Remove front surround panel assembly or bottom louver if included.
4. Turn gas shut-off valve counterclockwise  to "On" position.
5. Wait ten minutes to clear out any gas. Then smell for gas, including near the floor. If you smell gas, STOP! Follow "B" in the safety information above on this page. If you do not smell gas, go to the next step.
6. Turn ON electric power to the appliance.
7. Find pilot - Follow metal tube from gas control. The pilot is behind the burner on the right side.
8. Turn main flame to on. If the pilot does not light within 60 seconds, stop and go to Step 5.
9. If the burner or pilot does not operate properly after several tries, turn the gas shut-off valve clockwise  to "OFF" and call your service technician or gas supplier.
10. Replace the front surround assembly or close bottom louver assembly (if applicable).
11. Operation of the gas valve is controlled by a manual on/off switch or a hand held remote control. Refer to remote instructions for detailed operation information.



### GAS SHUT-OFF VALVE



OFF



ON

## TO TURN OFF GAS TO FIREPLACE

1. Turn off all electric power to the appliance if service is to be performed (if applicable).
2. Turn gas shut-off valve to "OFF" position.

# CONTROL SYSTEM TROUBLESHOOTING

PROBLEM OBSERVED	POSSIBLE CAUSE	CORRECTIVE MEASURE	
Gas odor during setup	Gas Leak	<b>WHAT TO DO IF YOU SMELL GAS</b> <b>Do not try to light any appliance.</b> <b>Do not touch any electrical switch; do not use any phone in your building.</b> <b>Leave the building immediately.</b> <b>Immediately call your gas supplier from a neighbor's phone. Follow the gas supplier's instructions.</b> <b>If you cannot reach your gas supplier, call the fire department.</b>	
Gas odor before first ignition	Gas Leak		
Fireplace is "on" but no flame and pilot is not trying to light	Gas Line Valve turned "off"	Turn shutoff valve to "open" position	
	Control module in "lockout"	Turn fireplace "off" and then back "on"	
Pilot continues to spark when pilot is lit.	Not enough gas to pilot	Wait for pilot flame to strengthen	
	Low Gas Pressure	Check pressures. See page 17.	
	Pilot igniter/sensor is dirty	Clean pilot.	
	Pilot not grounded well	Check ground connections	
	Draft in firebox	Vent restrictor not installed	
	Pilot sensor has been bent	Replace pilot	
Pilot will not ignite, or will not stay lit	Pilot igniter/sensor is dirty	Clean flame sensor and pilot igniter.	
	Pilot not grounded well	Check ground connections	
	Sensor Wire loose	Check sensor wire terminals	
	Gas pressure incorrect	Adjust gas pressure	
	Pilot Gas Line bent or kinked	Replace pilot tube	
	Faulty pilot, Sensor bent	Replace Pilot	
	Faulty valve	Replace Valve	
Burner takes too long to fully light	Low gas pressure	Check gas supply pressure	
	Clogged or dirty carryover/burner ports	Clean ports	
	Blocked orifice	Check orifice opening	
	Faulty valve	Replace valve	
Burner does not light but pilot remains on	Low gas pressure	Check gas supply pressure	
	Clogged or dirty burner ports	Clean burner ports	
	Blocked orifice	Check orifice opening	
	Loose wire connections	Check valve/control module connections	
	Faulty pilot	Replace pilot	
	Faulty valve	Replace valve	
Burner lights but does not stay lit while pilot remains on	Low gas pressure	Check gas supply pressure	
	Loose sensor wire	Check wire connection	
	Faulty valve	Replace valve	
	Faulty pilot or thermocouple	Replace Safety pilot	
	Clogged or dirty burner ports	Clean burner ports	
	(For fireplace equipped with optional thermostat or thermostat remote) Room temperature is higher than thermostat setting	Move (optional) remote away from fireplace	
		Set higher temperature on (Optional) remote/thermostat	
	(Optional) Remote control batteries failing	Replace batteries in remote transmitter and receiver	



# CONTROL SYSTEM TROUBLESHOOTING (CONT'D)

PROBLEM OBSERVED	POSSIBLE CAUSE	CORRECTIVE MEASURE	
Burner & pilot light but will not stay lit	Flame sensor dirty	Clean pilot sensor	
	Low gas pressure	Check gas supply pressure	
	Not enough fresh air for pilot	Open door or window - ventilate	
	Clogged or dirty burner ports	Clean burner ports	
	(For fireplace equipped with optional thermostat or thermostat remote) Room temperature is higher than thermostat setting	Move (optional) remote away from fireplace	
		Set higher temperature on (Optional) remote/thermostat	
	(Optional) Remote control batteries failing	Replace batteries in remote transmitter and receiver	
Faulty pilot or thermocouple	Replace pilot		
Incorrect burner flame	Incorrect gas supply or pressure	Check gas supply pressure	
	Blocked orifice	Check orifice opening	
	Clogged or dirty burner ports	Clean burner ports	
	Faulty valve	Replace valve	
	High altitude	Adjust orifice size for altitude	
Backfire of burner	Blocked orifice	Check orifice opening	
	Clogged or dirty burner ports	Clean burner ports	
	Low gas pressure	Check gas supply pressure	
Fireplace produces unwanted odors	Vapors from paint, hairspray, glue, etc.	Ventilate room until odor stops. Do not use paint, hairspray, glue, etc around fireplace	
	Initial burn-off of manufacturing chemicals	Ventilate room until odor stops	
Whistle noise from fireplace	Check gas pressure	Adjust gas pressure to recommended setting.	
	Air in gas line	Bleed lines	
	Control knob not in fully open position	Open control knob to full position	
	Spiral gas flex line pinched or too small diameter line	Straighten flex line where pinched or replace gas feed line with larger diameter	

# PARTS LIST

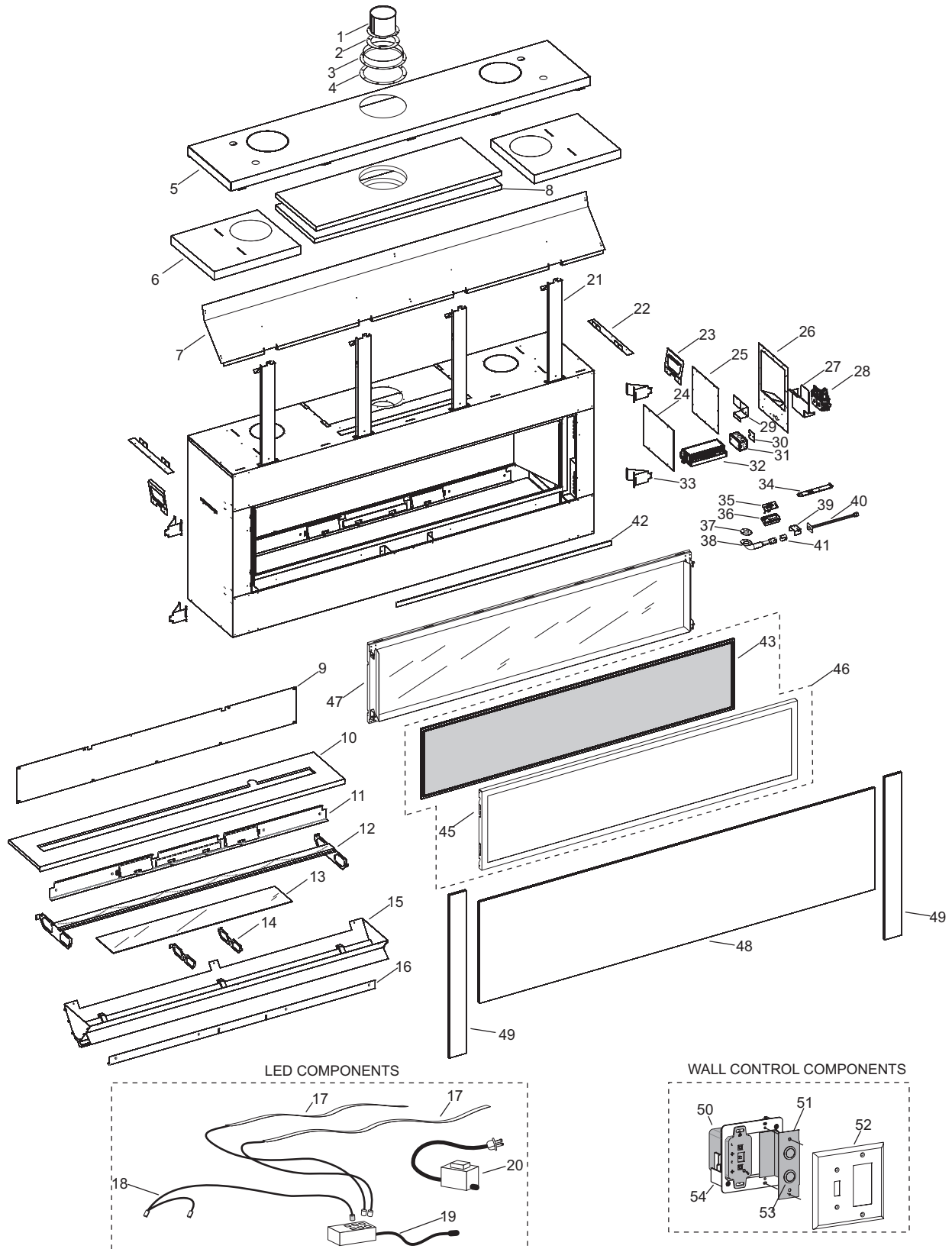
INDEX NUMBER	DVLL72	DESCRIPTION
1	30975	Flue Outlet Assembly
2	M170	Gasket, Flue Outlet
3	R7567	Inlet Vent Adaptor - 8 inch
4	R7573	Gasket - Inlet Vent
5	38183	Top Cover
6	R12469	Top Insulation - (RT/LT) (Qty. 2)
7	38184	Top Header Shield (Qty. 2)
8	R11963	Insulation, Top (Center) (Qty. 2)
9	38182	Rear Access Plate
10	38207	Screen, Burner Cover
11	38204	Rear Baffle Bracket
12	38286	Burner Assembly Weldment
13	R12471	Glass, Firebox Bottom
14	38208	Burner Support Bracket (Qty. 2)
15	38318	LED Reflector Assembly
16	38287	Light Limiter Bracket
17	R12437	LED Light Strip (Qty. 2)
18	R12294	LED Switch Wire Harness (14 ft.)
19	R12693	LED Control Module
20	R11920	LED Transformer
21	38185	Top Standoff (Qty. 4)
22	38180	Hanger Bracket (Qty. 2)
23	34360	Handle (Qty. 2)
24	34418	Control Cover - Inner
25	R12085	Gasket, Control Plate
26	34419	Control Plate
27	37092	Valve Bracket
28	R11233	Valve - Natural
29	R11234	Valve - Propane
29	27730	Junction Box Mount Bracket
30	35530	Bracket - Gas Line Seal
31	R3490	Junction Box
32	*R12383	Control Module, Proflame II
33	28450	Nailing Flange (Qty. 4)
34	35978	Door Latch Tool

\*Also order a R12270 Jumper Wire. **NOTE:** The Jumper Wire must be connected to the "X4" terminal pins on the Proflame II Control Module.

INDEX NUMBER	DVLL72	DESCRIPTION
35	R12283	Pilot - Natural
35	R12283	Pilot - Propane
36	38211	Pilot Bracket
37	R11977	Gasket - Venturi
38	R11978	Venturi Tube - 90 Degree
39	38210	Burner Hold-Down Bracket (Qty. 2)
40	R10915	Orifice Holder - Flexline
41	R7624	Air Shutter
42	38205	Glass Retainer
43	Q0053	Barrier Screen
44	-	-
45	41122	Screen Frame
46	41120	Barrier Assembly - Complete (43 & 45)
47	41108	Glass Door Assembly
48	38292	Board, Non-Combustible (Top)
49	38291	Board, Non-Combustible (Qty. 2))
50	R11584	Wall Control With Battery Back-up
51	36827	Bracket - LED Buttons
52	R12296	Wall Plate
53	R11921	Switch Button - LED (Qty. 2)
54	R12295	Wall Box Bracket
NS	R8902	Stud, Spherical (Qty. 6)
NS	R8866	Nut, 6mm Stainless Steel (Qty. 6)
NS	33331	Thimble Spacer
NS	R11524	Wire Harness, Control Module
NS	P283	Orifice # 26 - Natural
NS	P316	Orifice - 2.15mm - Propane
NS	R11550	Remote Transmitter
NS	R11552	10 ft. Extension Wire Harness (Control Module to Wall Box)
NS	R10882	Fitting, Inlet 90 (Qty. 2)
NS	37094	Outer Access Panel
NS	38348	Door Limiter Bracket
NS	R12467	Glass, LED
NS	R10915	Flex Line, 18 inch

NS - Not Shown

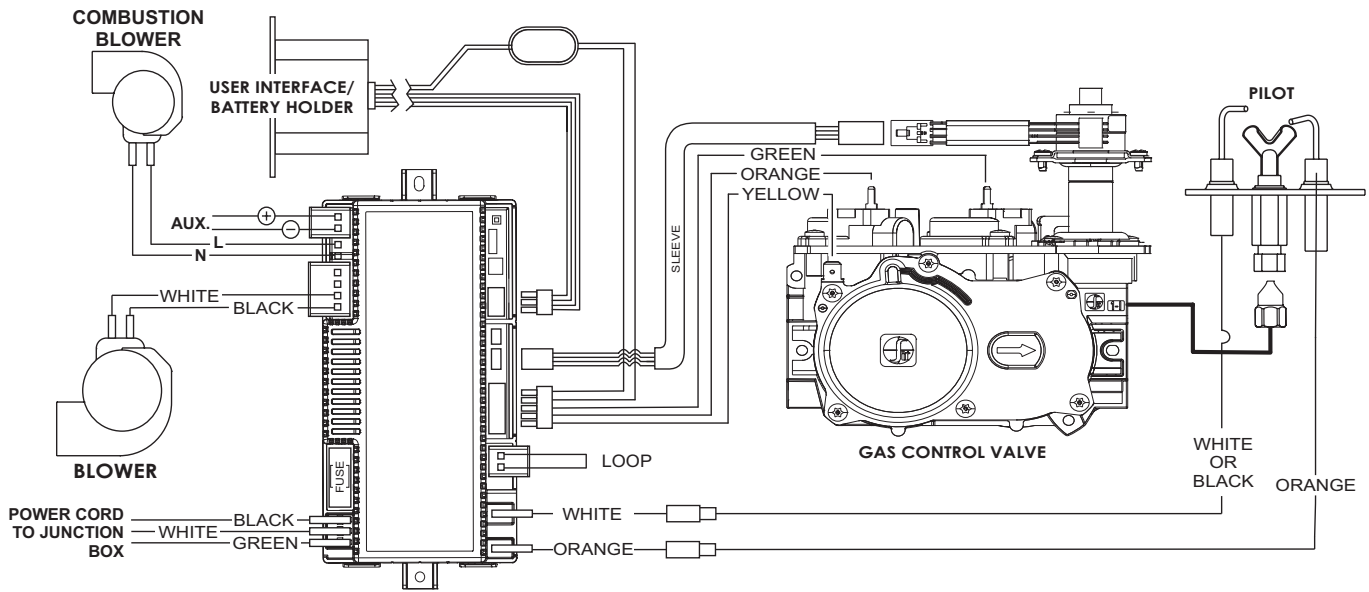
# PARTS VIEW



## ⚠ WARNING

Failure to position the parts in accordance with these diagrams or failure to use only parts specifically approved with this fireplace may result in property damage or personal injury.

# COMPONENT WIRING DIAGRAM



If any of the original wire as supplied with this fireplace must be replaced, it must be replaced with equivalent gauge and temperature rated wire.

This fireplace is only for use with the type of gas indicated on the rating plate and may be installed in an aftermarket, permanently located, manufactured (mobile) home where not prohibited by local codes. This fireplace is not convertible for use with other gases, unless a certified kit is used.

## ⚠ WARNING

### ELECTRICAL GROUNDING INSTRUCTIONS

This fireplace is equipped with a three-prong grounding plug for your protection against shock hazard and should be plugged directly into a properly grounded three-prong receptacle. Do not cut or remove the grounding prong from this plug.

## ⚠ CAUTION

Label all wires prior to disconnection when servicing controls. Wiring errors can cause improper and dangerous operation.

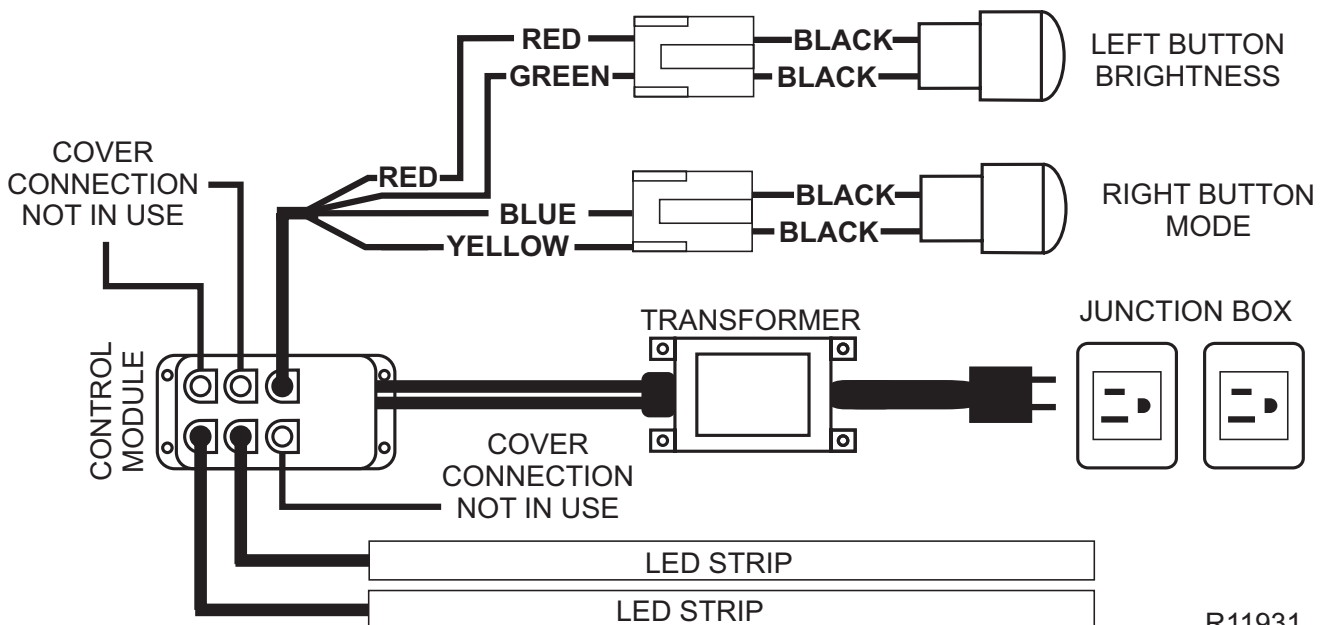
## ⚠ CAUTION

Do not operate the fireplace with glass panel removed, cracked or broken. Replacement of the panel should be done by a licensed qualified service person.

## ⚠ WARNING

Improper installation, adjustment, alteration, service or maintenance can cause property damage, personal injury or loss of life. Installation and service must be performed by a qualified installer, service agency or the gas supplier.

Verify proper operation after servicing.



R11931

# MAINTENANCE AND SERVICE

## MAINTENANCE AND SERVICE

### Removing the Barrier Screen

Lift the barrier up approximately 1/4 inch with one hand under the lower barrier frame edge to disengage from the door frame. Grasp the top of the barrier and pull forward to disengage it. Remove the barrier by pulling straight forward.

### Remove Door Limiter Bracket

Before the Glass Door can be removed, a Door Limiter Bracket must be removed. Using a 5/16-inch hex nut driver, remove (5) #10-24 x 3/8-inch screws that retain the Limiter Bracket to the bottom flange of the Glass Door frame, and set the bracket aside. See Figures 94 and 95.

**NOTICE:** The Door Limiter Bracket must be re-installed to the Glass Door frame prior to operation of the fireplace.

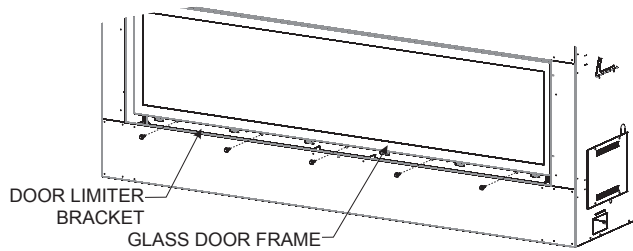


Figure 94

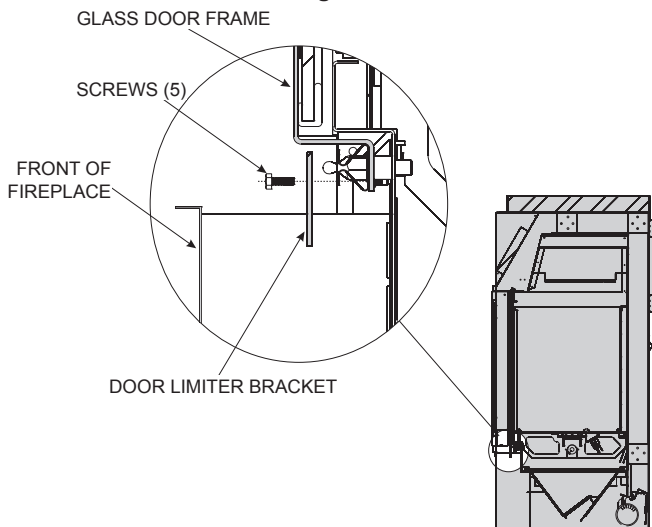


Figure 95

### Removing the Glass Door Assembly

Locate the glass door tool (secured to the top of the fireplace for shipping). Use the tool as a lever to release the bottom of the glass door as shown in Figure 96.

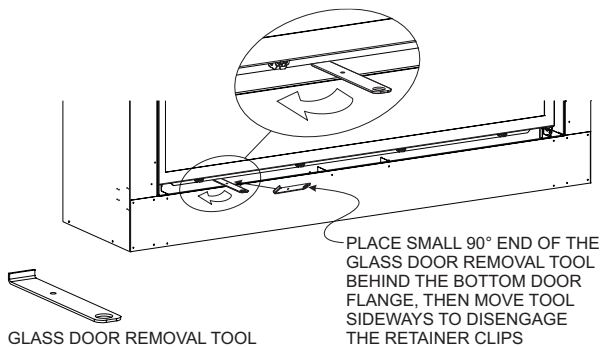


Figure 96

**NOTICE:** The glass door is secured to the top of the firebox with tabs that allow it to pivot outward at the bottom. The bottom of the door frame engages into the four bullet type retainers.

Pivot the glass door out until the bottom of the door is about 6 to 8 inches from the firebox face, then lift upward on the door assembly to disengage the top of the door from the tab retainers on top of the firebox. See Figures 97 and 98.

### CAUTION

The glass door is wide and heavy and can be difficult to install or remove by a single person. It is recommended that two people remove the glass door.

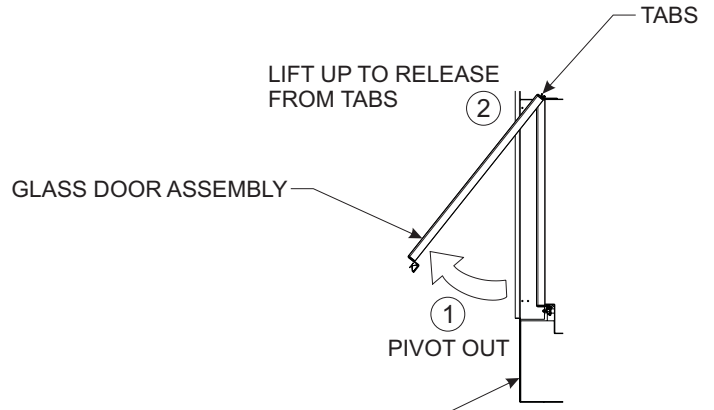


Figure 97

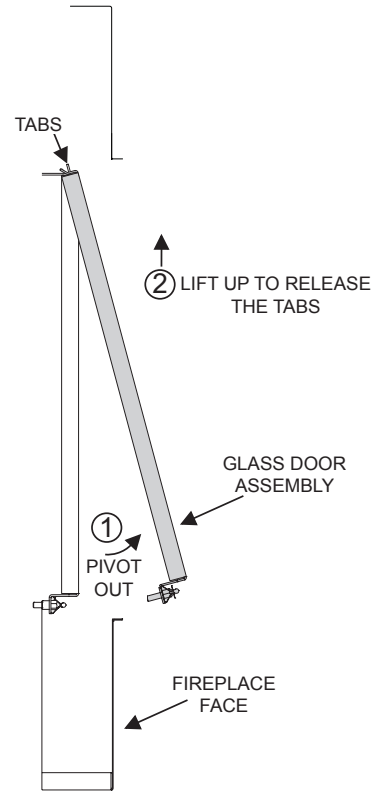


Figure 98

# MAINTENANCE AND SERVICE (CONT'D)

## WIRING

If any of the original wire supplied with this unit must be replaced, it must be replaced with 18 GA. 150°C wire or its equivalent.

## GAS VALVE AND CONTROL ACCESS INSTRUCTIONS

### ⚠ CAUTION

Sharp Edges! Use gloves and eye protection when servicing the fireplace controls.

**NOTICE:** To service or inspect the gas valve and control system after the fireplace has been installed, or if there is no right side outer accessibility, follow these steps for servicing the fireplace gas control valve.

### Accessing the Gas Valve

Always turn off gas and electrical supply to the fireplace before servicing the controls.

1. Remove the barrier screen and glass door assemblies and set them aside in a safe location.
2. It is not necessary to remove decorative glass media from the burner to gain access to the valve compartment.
3. Removal of crushed glass away from the access door and liners is recommended prior to the removal of the liner or liner panels.
4. Remove logs and rock kit if applicable.
5. Remove liner panel(s) if installed, to gain access to the valve compartment.
6. Refer to the instructions included with the accessory kits for removal and installation.
7. Remove the twelve 5/16-inch hex-head screws that secure the access cover plate on the right side of the firebox. **See Figure 99.**



Figure 99

8. The gas valve is now accessible for checking inlet and outlet gas pressures, flex line connections, and wiring to the valve. **See Figure 100.** Figure 101 shows the inlet and outlet gas test ports.



Figure 100



Figure 101

9. Replace the gas valve by removing the two 5/16-inch hex-head screws on top of the gas control bracket. The gas valve and bracket can be lifted up to gain access to the flex line connections.

# MAINTENANCE AND SERVICE (CONT'D)

## MAINTENANCE AND SERVICE

The only recommended maintenance for the homeowner is periodically cleaning the glass. Before cleaning the glass read the warnings below.

This fireplace has no user-serviceable mechanical components. Contact your dealer or a qualified gas appliance service technician for all service and repair.

## ACCESSING THE CONTROL MODULE

### WARNING

**Always turn off gas and electrical supply to the fireplace before servicing.**

1. Remove the barrier screen and glass door assemblies, and set them aside in a safe location.
2. It is not necessary to remove decorative glass media from the burner cover or accent glass panels to gain access to the control module.
3. The control module is in the lower front corner of the fireplace bottom. It is secured to the fireplace with Velcro. The gas control and LED light wiring is routed through the lower right side opening to the gas valve wire connections. The 120V power cords are routed through the lower right side opening and plugged into the Junction Box receptacle. Refer to the electrical connections section for additional information.

## MAINTENANCE

Maintenance frequency must be determined individually for each application. Some considerations are:

- Cycling frequency. Fireplaces that may cycle 20,000 times annually should be checked monthly.
- Intermittent use. Fireplaces that are used seasonally should be checked before shutdown and again before the next use.
- Dusty, wet or corrosive environment. Because these environments can cause the gas control to deteriorate more rapidly, the system should be checked more often.
- Any control should be replaced if it does not perform properly on checkout or service. In addition, replace any module if it is wet or looks like it has been wet.

## SERVICE

Do not disassemble the gas control; it contains non-replaceable components. Attempted disassembly or repair can damage the control.

Exactly follow the warnings and the lighting instructions.

1. Before lighting, smell around the fireplace area for gas. If the fireplace uses Propane (bottled) gas, be sure to smell next to the floor because Propane gas is heavier than air. If you smell gas, immediately shut off the manual valve in the gas piping to the fireplace or on Propane at the tank. Do not try to light any appliance. Do not touch any electrical switch or use the phone. Leave the building and call your gas supplier. If your gas supplier cannot be reached, call the fire department.
2. The gas control must be replaced if it has been flooded with water. Call a qualified service technician.
3. The gas control is a safety device. It must be replaced in case of any physical damage such as bent terminals, missing parts, stripped threads, or evidence of exposure to excessive heat.

Follow the operating instructions provided by the manufacturer of your appliance.

**NOTICE:** It is normal for fireplaces fabricated of steel to give off some expansion and/or contraction noise during the start up or cool down cycle. Similar noises are found with your furnace heat exchanger or car engine.

It is normal for your gas fireplace to give off some odor the first time it is burned. This is due to the curing of the paint and oil from the manufacturing process.

Please ensure that your room is well ventilated - open a window.

**Burn your fireplace for at least one hour the first time you use it. If optional fan kit has been installed, place fan in the OFF position during this time.**

**IMPORTANT:** Turn off gas before servicing fireplace. Have a qualified service person perform these check-ups once a year preferably before the using of the fireplace.

### • Clean Burner and Control Compartment

Keep the control compartment and burner area clean by vacuuming or brushing at least twice a year.

## CLEANING PROCEDURE

1. Turn off fireplace.
2. Remove the barrier screen and glass door assembly. See Glass Door Removal.
3. Remove decorative media (a clean portable shop-vac is recommended).
4. Vacuum burner cover and burner screen areas. The control module located in the bottom front corner can also be vacuumed off.
5. Replace decorative media.
6. Reinstall the glass door and barrier screen.
7. Ignite fireplace. See Lighting Instructions.
8. If flame appears abnormal, call a service person.

### WARNING

**Handle the glass with care to avoid breaking it. Never strike the glass. To prevent etching or discoloring, clean the glass with Fireplace Glass Cleaner (available from your dealer). Never use cleaners that contain ammonia or abrasives. Never clean the glass while it is hot or even warm. Touching hot glass can cause severe burns. Using liquids or aerosols on hot glass will cause it to shatter. Never operate the fireplace with the glass removed or cracked. Have your dealer replace damaged glass only with glass and gasket material from Empire Comfort Systems. Using substitute glass will void the warranty.**

# MAINTENANCE AND SERVICE (CONT'D)

## • CHECK VENT SYSTEM

The fireplace and venting system should be inspected before initial use and at least annually by a qualified service person. Inspect the external vent cap on a regular basis to make sure that no debris is interfering with the air flow.

## GLASS CLEANING

Clean the glass before use and two or three times each heating season. During start-up condensation (which is normal) forms on the inside of the glass and causes lint, dust and other airborne particles to cling to the glass surface. Also initial paint curing may deposit a slight film on the glass. Use a non-abrasive household cleaner and warm water (we recommend gas fireplace glass cleaner).

### WARNING

**Do not use Ammonia based or abrasive cleaners on glass.  
Do not attempt to clean glass when glass is hot.**

## GENERAL GLASS INFORMATION

### WARNING

**Do not operate fireplace with the glass front removed, cracked or broken.**

Only glass approved for use by the manufacturer in fireplace may be used for replacement. The glass replacement should be done by a licensed or qualified service person.

### WARNING

- 1. The use of substitute glass will void all product warranties.**
- 2. Care must be taken to avoid breakage of the glass.**
- 3. Under no circumstances should this fireplace be operated without the glass front or with a broken glass front. Replacement of the glass (with gasket) as supplied by the manufacturer should be done by a qualified service person.**
- 4. Do not abuse the glass by striking or hitting it.**

## GLASS DOOR AND BARRIER SCREEN REMOVAL AND REPLACEMENT

Refer to page 53 for removal of the barrier screen and glass door assemblies.

Refer to the Parts View and Parts List on pages 50 and 51 to identify replacement parts such as the barrier screen and glass door assemblies.

## GLASS DOOR INSTALLATION

Refer to **Figures 96 and 97** to install the glass door assembly. Because of the width of the door assembly, it is recommended that two people install it. Hold the door at an angle so the bottom is about 8 inches from the fireplace face. Engage the top slots in to door frame with the tabs located at the top of the firebox. Gently pivot the door inward to align the four bullet catches across the bottom of the door frame. Once the bullet pins are aligned with the spring catches on the door frame, push the bottom of the door inward to engage the spring catches with the bullet pins.

## DOOR LIMITER BRACKET INSTALLATION

After the Glass Door is installed, the Door Limiter Bracket must be attached. Using a 5/16-inch hex nut driver, install (5) #10-24 x 3/8-inch screws to retain the Limiter Bracket to the bottom flange of the Glass Door frame.

**NOTICE:** The Door Limiter Bracket must be re-installed to the Glass Door frame prior to operation of the fireplace.

## BARRIER INSTALLATION

The barrier screen assembly installs onto the glass door assembly without fasteners. The top flange of the barrier engages the top of the door frame and the bottom flange. The bottom flange on the barrier inserts between the glass door frame across the bottom. Adjust the barrier left to right to center it.



# MAINTENANCE AND SERVICE (CONT'D)

## FOR THE INSTALLER

### Maintenance Precautions

Installation and repair should be done by a qualified service person. The fireplace should be inspected before use and at least annually by a qualified service person. More frequent cleaning might be required due to excessive lint from carpeting, bedding material, etc.

Keep burner and control compartment clean.

Examine venting system periodically and replace damaged parts. Make a periodic visual check of pilot and burners. Clean and replace damaged parts.

### Damaged Fireplace

Do not use this fireplace if any part has been under water.

Immediately call a qualified service technician to inspect the fireplace and to replace any part of the control system and any gas control which has been under water.

In the event of a natural disaster (tornado, earthquake, fire, etc.) have a qualified technician inspect the fireplace for damage or potential gas leaks. Repair or replace any damaged components before operating this fireplace.

## ANNUAL INSPECTION

- Have the fireplace inspected annually before use.
- More frequent inspection and cleaning may be required if the fireplace is installed in an area exposed to pet hair or dust, or to excessive lint from new carpeting or bedding materials.

### During The Annual Checkup, The Technician Will:

- Inspect the pilot (flame safety system) and burner(s) for proper operation and replace any damaged parts.
- Test and measure the flame failure response time of the flame safety system. It must de-energize the safety shut-off in no more than 30 seconds.
- Vacuum and clean any foreign debris in the firebox that is not supposed to be there.
- Inspect and ensure that the lighting of the main burner occurs within 4 seconds of the gas valve opening. Visual inspection should match the information illustrated in the manual. Inspect primary air openings for blockage.
- Check the glass and gasket for proper seal.
- Clean Glass with a suitable fireplace glass cleaner. Abrasive cleaners must not be used. Be careful not to scratch the glass when cleaning.
- Check all latches or other door retention components for proper operation, tension, and relief mechanisms are free from obstructions. **See Figure 81.**
- Check the barrier screen for fit and structural integrity. **See Figure 79.**
- Inspect the log set (if applicable) and decorative media (if applicable) for debris or damage.
- Freshen up the glowing embers if applicable.
- Replace batteries in the remote transmitter and receiver if applicable.
- Inspect the venting and vent termination cap for damage, corrosion, sooting, or obstruction and correct if present.
- Check all accessible gas-carrying tubes, connections, pipes and other components for leaks.
- *In addition, clean and inspect the fireplace following any remodeling work in your home.*

# IMPORTANT SAFETY INFORMATION

**Before enclosing the vent pipe assembly, operate the appliance to ensure it is venting properly.**

**DO NOT OPERATE THIS APPLIANCE WITHOUT GLASS FRONT PANEL INSTALLED**

## **WARNING**

1. “Due to high temperatures, the appliance should be located out of traffic and away from furniture and draperies.”
2. “Children and adults should be alerted to the hazards of high surface temperature and should stay away to avoid burns or clothing ignition.”
3. “Young children should be carefully supervised when they are in the same room as the appliance. Toddlers, young children, and others may be susceptible to accidental contact burns. A physical barrier is recommended if there are at-risk individuals in the house. To restrict access to a fireplace or stove, install an adjustable safety gate to keep toddlers, young children, and other at-risk individuals out of the room and away from hot surfaces.”
4. For appliances requiring a barrier, as determined under Clause 5.15.4: “A barrier designed to reduce the risk of burns from the hot viewing glass is provided with this appliance and shall be installed for the protection of children and other at-risk individuals.”
5. “If the barrier becomes damaged, the barrier shall be replaced with the manufacturer’s barrier for this appliance.”
6. “Clothing or other flammable material should not be placed on or near the appliance.”
7. “Any safety screen, guard, or barrier removed for servicing an appliance must be replaced prior to operating the appliance” (see Clause 4.1.6).
8. “Installation and repair should be done by a qualified service person. The appliance should be inspected before use and at least annually by a professional service person. More frequent cleaning might be required due to excessive lint from carpeting, bedding material, et cetera. It is imperative that control compartments, burners, and circulating air passageways of the appliance be kept clean.”
9. The instructions for an appliance optionally for use with glass doors (or equivalent) shall state that, “Only doors certified with the appliance shall be used.”
10. The instructions for an appliance not intended for use with glass doors (or equivalent) shall emphasize that the appliance is not for use with glass doors.
11. Where applicable, provide a means by which the consumer can identify the barrier, (such as graphic representation, clear description, or reference marking).

## **WARNING**

### **CARBON MONOXIDE POISONING HAZARD**

Failure to follow the steps outlined below for each appliance connected to the venting system being placed into operation could result in carbon monoxide poisoning or death. The following steps shall be followed for each appliance connected to the venting system being placed into operation, while all other appliances connected to the venting system are not in operation:

1. Seal any unused openings in the venting system.
2. Inspect the venting system for proper size and horizontal pitch, as required in the *National Fuel Gas Code ANSI Z223.1/NFPA 54* or the *National Gas and Propane Installation Code CSA B149.1* and these instructions. Determine that there is no blockage or restriction, leakage, corrosion and other deficiencies which could cause an unsafe condition.
3. As far as practical, close all building doors and windows and all doors between the space in which the appliance(s) connected to the venting system are located and other spaces of the building.
4. Close fireplace dampers.
5. Turn on clothes dryers and any appliance not connected to the venting system. Turn on any exhaust fans, such as range hoods and bathroom exhausts, so they are operating at maximum speed. Do not operate a summer exhaust fan.
6. Follow the lighting instructions. Place the appliance being inspected into operation. Adjust the thermostat so appliance is operating continuously.
7. Test for spillage from draft hood equipped appliances at the draft hood relief opening after 5 minutes of main burner operation. Use the flame of a match or candle.
8. If improper venting is observed during any of the above tests, the venting system must be corrected in accordance with *National Fuel Gas Code, ANSI Z223.1/NFPA* and/or *National Gas and Propane Installation Code, CSA B149.1*.
9. After it has been determined that each appliance connected to the venting system properly vents when tested as outlined above, return doors, windows, exhaust fans, fireplace dampers and any other gas-fired burning appliance to their previous conditions of use.

# SAFETY INFORMATION FOR USERS OF PROPANE GAS

Propane is a flammable gas which can cause fires and explosions. In its natural state, propane is odorless and colorless. You may not know all the following safety precautions which can protect both you and your family from an accident. Read them carefully now, then review them point by point with the members of your household. Someday when there may not be a minute to lose, everyone's safety will depend on knowing exactly what to do. If, after reading the following information, you feel you still need more information, please contact your gas supplier.

## PROPANE GAS WARNING ODOR

**If a gas leak happens, you should be able to smell the gas because of the odorant put in the Propane Gas. That's your signal to go into immediate action!**

- Do not operate electric switches, light matches, use your phone. Do not do anything that could ignite the gas.
- Get everyone out of the building, vehicle, trailer, or area. Do that IMMEDIATELY.
- Close all gas tank or cylinder supply valves.
- Propane Gas is heavier than air and may settle in low areas such as basements. When you have reason to suspect a gas leak, keep out of basements and other low areas. Stay out until firefighters declare them to be safe.
- Use your neighbor's phone and call a trained Propane Gas service person and the fire department. Even though you may not continue to smell gas, do not turn on the gas again. Do not re-enter the building, vehicle, trailer, or area.
- **Finally**, let the service man and firefighters check for escaped gas. Have them air out the area before you return. Properly trained Propane Gas service people should repair the leak, then check and relight the gas fireplace for you.

## NO ODOR DETECTED - ODOR FADE

**Some people cannot smell well. Some people cannot smell the odor of the chemical put into the gas. You must find out if you can smell the odorant in propane.** Smoking can decrease your ability to smell. Being around an odor for a time can affect your sensitivity or ability to detect that odor. Sometimes other odors in the area mask the gas odor. People may not smell the gas odor or their minds are on something else. Thinking about smelling a gas odor can make it easier to smell.

**The odorant in Propane Gas is colorless, and it can fade under some circumstances.** For example, if there is an underground leak, the movement of the gas through soil can filter the odorant. Odorants in Propane Gas also are subject to oxidation. This fading can occur if there is rust inside the storage tank or in iron gas pipes.

The odorant in escaped gas can adsorb or absorb onto or into walls, masonry and other materials and fabrics in a room. That will take some of the odorant out of the gas, reducing its odor intensity. Propane Gas may stratify in a closed area, and the odor intensity could vary at different levels. Since it is heavier than air, there may be more odor at lower levels. Always be sensitive to the slightest gas odor. If you detect any odor, treat it as a serious leak. Immediately go into action as instructed earlier.

## SOME POINTS TO REMEMBER

- **Learn to recognize the odor of Propane Gas.** Your local Propane Gas Dealer can give you a "Scratch and Sniff" pamphlet. Use it to find out what the propane odor smells like. If you suspect that your Propane Gas has a weak or abnormal odor, call your Propane Gas Dealer.
- If you are not qualified, do not light pilot lights, perform service, or make adjustments to appliances on the Propane Gas system. If you are qualified, consciously think about the odor of Propane Gas prior to and while lighting pilot lights or performing service or making adjustments.
- Sometimes a basement or a closed-up house has a musty smell that can cover up the Propane Gas odor. Do not try to light pilot lights, perform service, or make adjustments in an area where the conditions are such that you may not detect the odor if there has been a leak of Propane Gas.
- Odor fade, due to oxidation by rust or adsorption on walls of new cylinders and tanks, is possible. Therefore, people should be particularly alert and careful when new tanks or cylinders are placed in service. Odor fade can occur in new tanks, or reinstalled old tanks, if they are filled and allowed to set too long before refilling. Cylinders and tanks which have been out of service for a time may develop internal rust which will cause odor fade. If such conditions are suspected to exist, a periodic sniff test of the gas is advisable. **If you have any question about the gas odor, call your Propane Gas Dealer. A periodic sniff test of the Propane Gas is a good safety measure under any condition.**
- If, at any time, you do not smell the Propane Gas odorant and you think you should, assume you have a leak. Then take the same immediate action recommended above for the occasion when you do detect the odorized Propane Gas.
- If you experience a complete "gas out," (the container is under no vapor pressure), turn the tank valve off immediately. If the container valve is left on, the container may draw in some air through openings such as pilot light orifices. If this occurs, some new internal rusting could occur. If the valve is left open, then treat the container as a new tank. Always be sure your container is under vapor pressure by turning it off at the container before it goes completely empty or having it refilled before it is completely empty.

# REQUIREMENTS FOR MASSACHUSETTS

For all side wall horizontally vented gas fueled equipment installed in every dwelling, building or structure used in whole or in part for residential purposes, including those owned or operated by the Commonwealth and where the side wall exhaust vent termination is less than seven feet above finished grade in the area of the venting, including but not limited to decks and porches, the following requirements shall be satisfied:

1. **INSTALLATION OF CARBON MONOXIDE DETECTORS.**  
At the time of installation of the side wall horizontal vented gas fueled equipment, the installing plumber or gasfitter shall observe that a hard wired carbon monoxide detector with an alarm and battery back-up is installed on the floor level where the gas equipment is to be installed. In addition, the installing plumber or gasfitter shall observe that a battery operated or hard wired carbon monoxide detector with an alarm is installed on each additional level of the dwelling, building or structure served by the side wall horizontal vented gas fueled equipment. It shall be the responsibility of the property owner to secure the services of qualified licensed professionals for the installation of hard wired carbon monoxide detectors
  - a. In the event that the side wall horizontally vented gas fueled equipment is installed in a crawl space or an attic, the hard wired carbon monoxide detector with alarm and battery back-up may be installed on the next adjacent floor level.
  - b. In the event that the requirements of this subdivision can not be met at the time of completion of installation, the owner shall have a period of thirty days to comply with the above requirements; provided, however, that during said thirty day period, a battery operated carbon monoxide detector with an alarm shall be installed.
2. **APPROVED CARBON MONOXIDE DETECTORS.** Each carbon monoxide detector as required in accordance with the above provisions shall comply with NFPA 720 and be ANSI/UL 2034 listed and IAS certified.
3. **SIGNAGE.** A metal or plastic identification plate shall be permanently mounted to the exterior of the building at a minimum height of eight feet above grade directly in line with the exhaust vent termination for the horizontally vented gas fueled appliance or equipment. The sign shall read, in print size no less than 1/2 inch in size, **"GAS VENT DIRECTLY BELOW. KEEP CLEAR OF ALL OBSTRUCTIONS"**.
4. **INSPECTION.** The state or local gas inspector of the side wall horizontally vented gas fueled equipment shall not approve the installation unless, upon inspection, the inspector observes carbon monoxide detectors and signage installed in accordance with the provisions of 248 CMR 5.08(2)(a) 1 through 4.
  - (b) **EXEMPTIONS:** The following equipment is exempt from 248 CMR 5.08(2)(a)1 through 4:
    1. The equipment listed in Chapter 10 entitled "Equipment Not Required To Be Vented" in the most current edition of NFPA 54 as adopted by the Board; and
    2. Product Approved side wall horizontally vented gas fueled equipment installed in a room or structure separate from the dwelling, building or structure used in whole or in part for residential purposes.
  - (d) **MANUFACTURER REQUIREMENTS - GAS EQUIPMENT VENTING SYSTEM NOT PROVIDED.** When the manufacturer of a Product Approved side wall horizontally vented gas fueled equipment does not provide the parts for venting the flue gases, but identifies "special venting systems", the following requirements shall be satisfied by the manufacturer:
    1. The referenced "special venting system" instructions shall be included with the appliance or equipment installation instructions; and
    2. The "special venting systems" shall be Product Approved by the Board, and the instructions for that system shall include a parts list and detailed installation instruction.
  - (e) A copy of all installation instructions for all Product Approved side wall horizontally vented gas fueled equipment, all venting instructions, all parts lists for venting instructions, and/or all venting design instructions shall remain with the appliance or equipment at the completion of the installation.



# MASTER PARTS DISTRIBUTOR LIST

To Order Parts Under Warranty, please contact your local Empire dealer. See the dealer locator at [www.empirecomfort.com](http://www.empirecomfort.com). To provide warranty service, your dealer will need your name and address, purchase date and serial number, and the nature of the problem with the unit.

To Order Parts After the Warranty Period, please contact your dealer or one of the Master Parts Distributors listed below. This list changes from time to time. For the current list, please click on the Master Parts button at [www.empirecomfort.com](http://www.empirecomfort.com). Please note: Master Parts Distributors are independent businesses that stock the most commonly ordered Original Equipment repair parts for Heaters, Grills, and Fireplaces manufactured by Empire Comfort Systems Inc.

## Dey Distributing

1401 Willow Lake Boulevard  
Vadnais Heights, MN 55101

**Phone:** 651-490-9191

**Toll Free:** 800-397-1339

**Website:** [www.deydistributing.com](http://www.deydistributing.com)

**Parts:** Heater, Hearth and Grills

## F. W. Webb Company

200 Locust Street  
Hartford, CT 06114

**Phone:** 860-722-2433

**Toll Free:** 800-243-9360

**Fax:** 860-293-0479

**Toll Free Fax:** 800-274-2004

**Websites:** [www.fwwebb.com](http://www.fwwebb.com) & [www.victormfg.com](http://www.victormfg.com)

**Parts:** Heater, Hearth and Grills

## East Coast Energy Products

10 East Route 36  
West Long Branch, NJ 07764

**Phone:** 732-870-8809

**Toll Free:** 800-755-8809

**Fax:** 732-870-8811

**Website:** [www.eastcoastenergy.com](http://www.eastcoastenergy.com)

**Parts:** Heater, Hearth and Grills

# HOW TO ORDER REPAIR PARTS

## Parts Not Under Warranty

Parts can be ordered through your Service Person, Dealer, or a Master Parts Distributor. See this page for the Master Parts Distributors list. For best results, the **service person or dealer** should order parts through the distributor. Parts can be shipped directly to the **service person/dealer**.

## Warranty Parts

Warranty parts will need a proof of purchase and can be ordered by your Service Person or Dealer. Proof of purchase is **required** for warranty parts.

All parts listed in the Parts List have a Part Number. When ordering parts, first obtain the Model Number and Serial Number from the name plate on your equipment. Then determine the Part Number (**not** the Index Number) and the Description of each part from the following illustration and part list. Be sure to give all this information . . .

Fireplace Model Number \_\_\_\_\_ Part Description \_\_\_\_\_

Fireplace Serial Number \_\_\_\_\_ Part Number \_\_\_\_\_

Type of Gas (Propane or Natural) \_\_\_\_\_

Do not order bolts, screws, washers or nuts. They are standard hardware items and can be purchased at any local hardware store.

Shipments contingent upon strikes, fires and all causes beyond our control.

# WARRANTY

Empire Comfort Systems Inc. warrants this hearth product to be free from defects at the time of purchase and for the periods specified below. Empire will not warranty any Boulevard, Portrait, TruFlame fireplace that is not installed by the selling dealer or that dealer's direct contract agents. This warranty applies to the original purchaser only and is not transferable. All warranty repairs must be accomplished by a qualified gas appliance technician.

**Limited Lifetime Parts Warranty – Combustion Chamber, Heat Exchanger, and Factory-Installed Glass**

If the combustion chamber, heat exchanger (see parts list) or factory-installed glass fails because of defective workmanship or material, Empire will repair or replace it at Empire's option.

**Limited Three-Year Parts Warranty – All Other Components (Except Remote Controls, Thermostats, Lights, Accessories and Replacement Parts)**

Should any part fail because of defective workmanship or material within three years from the date of purchase, Empire will repair or replace it at Empire's option.

**Limited One-Year Parts Warranty – Remote Controls, Thermostats, Lights, Accessories, and Replacement Parts**

Should any remote control, thermostat, lighting system, accessory, or replacement part fail because of defective workmanship within one year from the date of purchase, Empire will repair or replace it at Empire's option.

**Duties of the Owner**

Have the appliance installed by a qualified installer, and operate and maintain it in accordance with the furnished instructions

Provide proof of purchase (receipt) to establish the purchase date, which determines the warranty start date.

Provide ready access to the appliance for service.

**What Is Not Covered**

Damage caused by misuse or improper installation.

Damage caused by improper maintenance or lack of maintenance.

Claims that do not involve defective workmanship or materials.

Unauthorized service or replacement parts.

Travel, diagnostic costs and freight charges on warranted parts to and from the factory.

Removal and reinstallation cost.

**How to Get Service**

Provide the dealer with the model number, serial number, type of gas, and proof of purchase. The installing dealer is responsible for providing service and will contact the factory to initiate any warranted parts replacements.

Empire will make replacement parts available at the factory. Shipping expenses are not covered.

If, after contacting your Empire dealer, the service received has not been satisfactory, send an e-mail describing the issue and any actions taken to [info@empirecomfort.com](mailto:info@empirecomfort.com) with "Consumer Relations" in the subject line.

**Your Rights under State Law**

This warranty gives you specific legal rights, and you may also have other rights, which vary from state to state.



SINCE 1932

**Empire Comfort Systems Inc.**  
**Belleville, IL**

If you have a general question  
about our products, please e-mail  
us at [info@empirecomfort.com](mailto:info@empirecomfort.com).

If you have a service or repair  
question, please contact your dealer.

**[www.empirecomfort.com](http://www.empirecomfort.com)**

41118-0-0819