

NAPOLEON

MODERN DESIGN
FIVE MODELS AVAILABLE

NEW ALLURAVISION™ SERIES
ELECTRIC WALL HANGING, OR BUILT-IN FIREPLACES



napoleonfireplaces.com

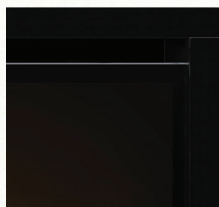
Alluravision™ Series

See the fireplace, not the frame with Napoleon's Alluravision™ Series linear electric fireplaces. They stand out from the rest with their nearly frameless viewing area which highlights the unique flame colors. Set the mood with yellow, orange, blue and multicolor flames with the push of a button. Easy to use, these electric fireplaces are plug and play - just hang on the wall and plug them in. The Alluravision™ Series can also be hardwired to 120 v (slim) or 240 v (deep models). Three sizes, 42, 50, and 60-inch, come standard with a crystal media ember bed and remote control. The NIGHT LIGHT™ and glass media with driftwood make beautiful additions to the deep model. Napoleon's Alluravision™ Series linear electric fireplaces are about adding the fireplace, and not the frame to your favorite room.

Product Features

- Slim and Deep Depth Models Available
- Up to 5,000 BTU's and 1,500 Watts - warms up to 400 sq. ft. (Slimline models)
- Up to 9,000 BTU's and 2,800 Watts - warms up to 800 sq. ft. (Deep Depth models)
- Clean Face and Ultra Slim Design
- Simply plugs into a 120V wall outlet or can be hard wired to 120V or 240V (deep models only)
- Can be fully recessed into the wall for a flush appearance or easily hang on the wall with a built-in bracket
- Six different ember bed color options; White, Blue, Green, Red, Yellow and Purple
- Five different flame speed options
- Four flame brightness options
- Four flame color options; blue, orange yellow and multi-color
- Paintable cord cover included (covers cord and can be painted to blend in with existing décor)
- High intensity LED lights provide day or night intensity and require no servicing
- On screen controls dim after 10 seconds disappearing completely off screen
- WHISPER QUIET™ blower with boost function included (only 39db)
- Full feature remote control included (controls flame speed, color, brightness, blower, heat output and timer)
- When turning the appliance on and off the flames gradually start and stop

Features / Options / Accessories



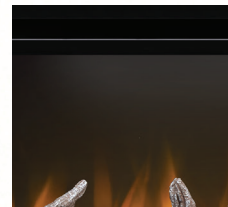
Four Sided Black Surround
(Included)



Crystal Media (Included)



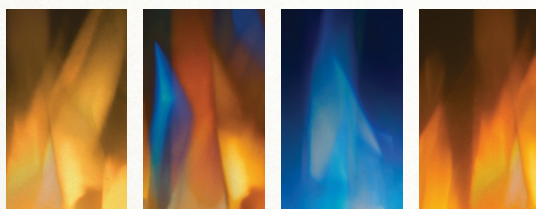
Driftwood Logs with Glass Embers
(Included in Deep Models Only)



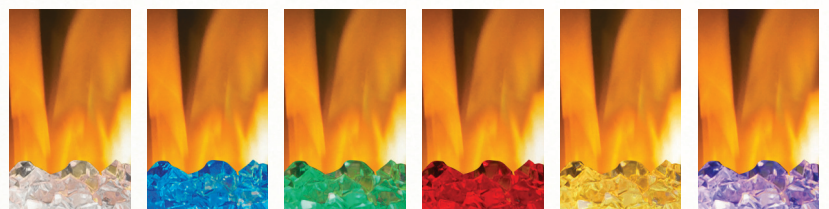
NIGHT LIGHT™
(Included in Deep Models Only)

LOW ENERGY
LED
HIGH INTENSITY

ULTRA BRIGHT™ LED Lights



Flame Color Options
(Yellow, Multi-Colored, Blue and Orange)




Ember Bed Color Options
(White, Blue, Green, Red, Yellow and Purple)



The Alluravision™ Series wall hanging electric fireplaces are available in 42", 50" and 60" sizes with slim and deep depth models. Heating rooms up to 800 square feet, allowing you to save money on your heating bill by heating only the space you are in with the romantic flickering glow of a fireplace. With a variety of flame colors, speeds and brightness options, customizing your fireplace to match your unique style has never been easier!



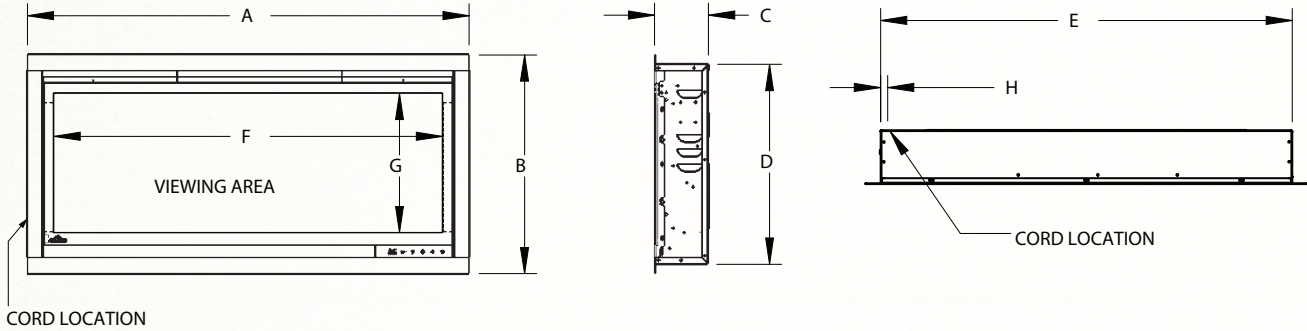
- | | | | |
|---|---|--|--|
|  <p>Electric Fireplace
Economical to Operate</p> |  <p>Safe To Touch
Never hot enough to burn</p> |  <p>Can Be Recessed
The Alluravision™ Series can be fully recessed</p> |  <p>Adjustable fan control
Place the fan on different settings to blow into the room</p> |
|  <p>Eco-Friendly
Only heat the rooms you use most</p> |  <p>ULTRA BRIGHT™ LED Lights
Provide day or night intensity</p> |  <p>Adjustable temperature
Adjust the heat being produced by choosing a temperature</p> |  <p>Hard wire capable
Can be hard wired into existing home wiring</p> |
|  <p>Adjustable Flame Color
Feature the option of both yellow, blue or orange flame, or a combination</p> |  <p>Ultra Slim
Little to no protrusion into the room</p> |  <p>Multi-function remote
Controls flame brightness, color, speed, blower, heat output timer and more.</p> |  <p>Plug-in
Simply plug in and your fireplace is ready</p> |

Specifications

Product Code	BTU's (Input)	Watts	Voltage	Amps	Height		Front Width		Depth		Viewing Area	
					Actual	Framing	Actual	Framing	Actual	Framing	Height	Width
NEFL42CHS	5,000	1,500	120V AC	15	17 5/16"	16 1/8"	44 7/16"	42 9/16"	4 1/4"	4 1/2"	11 1/16"	40 1/4"
NEFL50CHS	5,000	1,500	120V AC	15	17 5/16"	16 1/8"	52 11/16"	50 13/16"	4 1/4"	4 1/2"	11 1/16"	48 1/2"
NEFL60CHS	5,000	1,500	120V AC	15	17 5/16"	16 1/8"	62 9/16"	60 11/16"	4 1/4"	4 1/2"	11 1/16"	58 5/16"
NEFL50CHD	9,000	2,800	120/240V AC	15	17 5/16"	16 1/8"	52 11/16"	50 13/16"	5 13/16"	6 1/16"	11 1/16"	48 1/2"
NEFL60CHD	9,000	2,800	120/240V AC	15	17 5/16"	16 1/8"	62 9/16"	60 11/16"	5 13/16"	6 1/16"	11 1/16"	58 5/16"

Certified under Canadian and American National Standards

Figures may vary with individual conditions such as floor plan layout, insulation value/heat loss of the house and geographical location.



Model Number	Dimensions							
	A	B	C	D	E	F	G	H
NEFL42CHS	44 7/16" (112.8cm)	17 5/16" (44cm)	4 1/4" (10.8cm)	15 7/8" (40.2cm)	42 1/16" (106.8cm)	40 1/4" (102.2cm)	11 1/16" (28.1cm)	3/4" (1.8cm)
NEFL50CHS	52 11/16" (133.8cm)	17 5/16" (44cm)	4 1/4" (10.8cm)	15 7/8" (40.2cm)	50 5/16" (127.8cm)	48 1/2" (123.2cm)	11 1/16" (28.1cm)	3/4" (1.8cm)
NEFL60CHS	62 9/16" (158.8cm)	17 5/16" (44cm)	4 1/4" (10.8cm)	15 7/8" (40.2cm)	60 3/16" (152.8cm)	58 5/16" (148.2cm)	11 1/16" (28.1cm)	3/4" (1.8cm)
NEFL50CHD	52 11/16" (133.8cm)	17 5/16" (44cm)	5 13/16" (14.8cm)	15 7/8" (40.2cm)	50 5/16" (127.8cm)	48 1/2" (123.2cm)	11 1/16" (28.1cm)	3/4" (1.8cm)
NEFL60CHD	62 9/16" (158.8cm)	17 5/16" (44cm)	5 13/16" (14.8cm)	15 7/8" (40.2cm)	60 3/16" (152.8cm)	58 5/16" (148.2cm)	11 1/16" (28.1cm)	3/4" (1.8cm)

Authorized Dealer



24 Napoleon Road, Barrie, Ontario, Canada L4M 0G8
 103 Miller Drive, Crittenden, Kentucky, USA 41030
 7200 Trans Canada Highway, Montreal, Quebec, Canada H4T 1A3

Tel: 1-866-820-8686
napoleonfireplaces.com



Consult your owner's manual for complete installation instructions, accurate framing dimensions and proper clearances to combustible material. Check all local and national building codes. All specifications are subject to change without prior notice due to on-going product improvements. Products may not be exactly as shown. Napoleon is a registered trademark of Wolf Steel Ltd. © Wolf Steel Inc.

Printed in Canada
 10/2017