

## AVFL42LED Light Kit

This light kit has been tested for use with specific Hearth & Home Technologies products. Check with your local building code agency before you begin installation to ensure compliance with local codes, including the need for permits and follow-up inspections. If you encounter any problems regarding code approvals, or if you need clarification of any of the instructions contained here, contact your Hearth & Home Technologies dealer. For the dealer nearest you, please visit [www.hearthnhome.com](http://www.hearthnhome.com).

**CAUTION! Risk of Cuts, Abrasions or Flying Debris.** Wear protective gloves and safety glasses during installation. Sheet metal edges are sharp.

### Introduction

The AVFL42LED has been designed to offer lighting under the crushed glass media. This kit is designed to work manually with the light control supplied. The AVFL42LED operates on 120 VAC, 60 Hz power. This is available through the factory installed junction box, located in the controls compartment of the appliance.

### Kit Contents:

Compare system components in Figure 1 with the actual parts received. If any parts are missing or damaged, contact your dealer before starting installation. Do not install a damaged light kit.

**CAUTION! Do not install damaged components.**

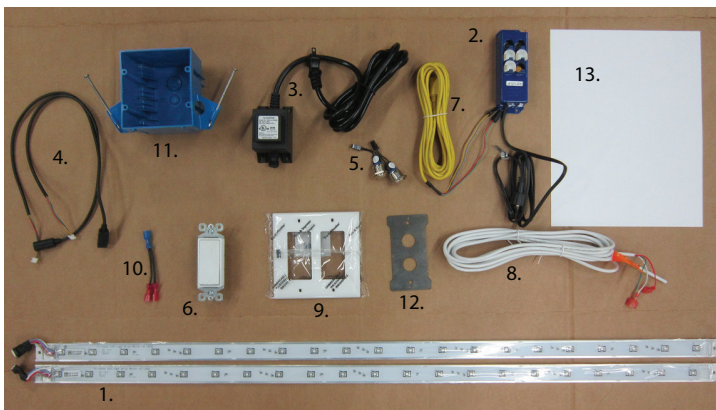


Figure 1. System Contents

- |                       |                               |
|-----------------------|-------------------------------|
| 1. (2) 38" LED strips | 9. Wall Switch Plate Dual     |
| 2. LED control module | 10. Jumper Wire               |
| 3. LED power module   | 11. Outlet Box                |
| 4. LED Adapter        | 12. Wall Switch Bracket       |
| 5. LED Panel Switch   | 13. Installation Instructions |
| 6. Wall Switch        |                               |
| 7. Aux Input Cable    |                               |
| 8. Thermostat Wire    |                               |

Service Parts	
Part Number	Description
20308559K	LED Power Module
SRV4018-114	LED Adapter
20304686K	Wall Switch
20308586K	LED Panel Switch
20308587K	Aux Input Cable
SRV2118-170	Thermostat Wire
2155-511	Wall Switch Plate
SRV2187-198	Jumper Wire
SRV4021-117	Outlet Box
SRV4115-321	LED strip
SRV4121-035	LED control module

### Installation Precautions

The AVFL42LED kit is tested and safe when installed in accordance with this installation manual. It is your responsibility to read all instructions before starting installation and to follow these instructions carefully during installation to assure maximum benefit from, and safe operation of the accent light.

The LED light kit is carefully engineered and must be installed only as specified. If you modify it or any of its components, you may cause a fire hazard and will void the WARRANTY. In addition, such action may void the coverage provided by the owner's home insurance.

Note: Use this installation instruction along with the appliance installation instruction to install this kit.

**CAUTION! All wiring should be done by a qualified electrician and shall be in compliance with local codes and with the National Electric Code ANSI/NFPA NO. 70-current (in the United States), or with the current CSA C22.1 Canadian Electric Code (in Canada).**

### Installation Instructions

**WARNING: Risk of Shock! Turn electrical power off at the circuit breaker before beginning this installation.**

**NOTE: The factory installed junction box in the firebox must be wired with 110 VAC before installing this kit. See firebox Installation Instructions.**

1. Remove the screen from the appliance. See Figure 2.

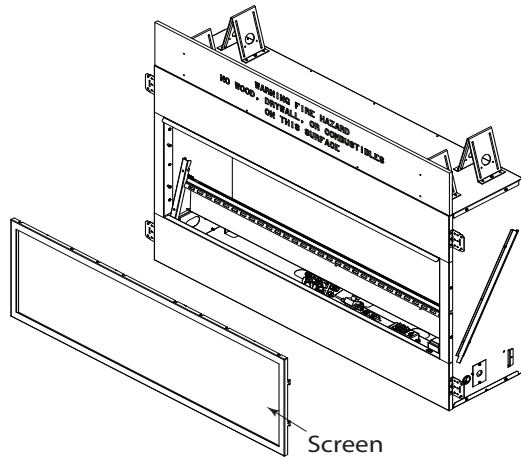


Figure 2

2. Remove the screw holding the burner tray to the side of the appliance for shipping.
3. Remove the air deflection glass from the appliance.
4. Remove the log set and media, if installed.
5. Lift the front of the burner assembly and support with engine supports so you can access the controls. See Figure 3.

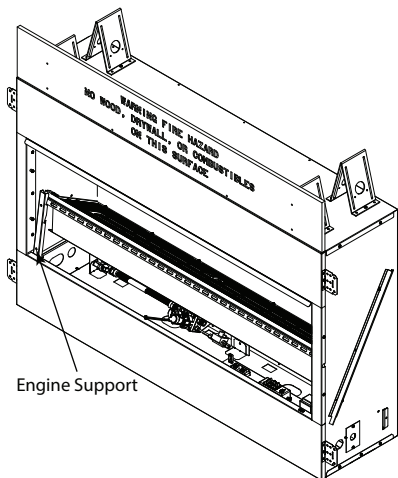


Figure 3

6. Disconnect the thermocouple wire from the thermocouple module. Disconnect the igniter wire, flame modulation wire, and 6 pin wiring harness from the control module. Once these wires are disconnected remove the engine assembly by lifting it from the appliance. See Figure 4.

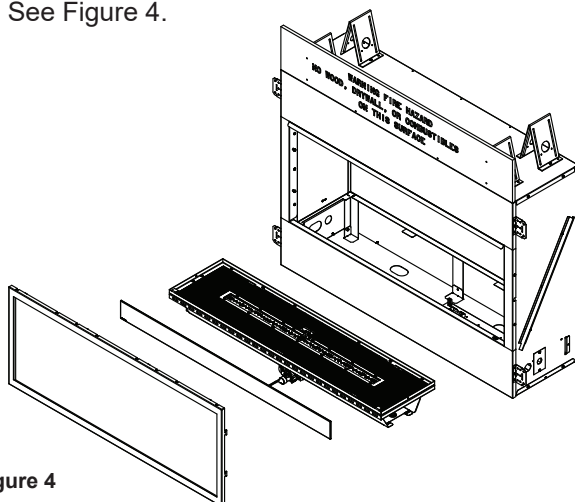


Figure 4

7. Remove the burner carryover bracket by removing the 2 screws that attach this part to the engine assembly. Save the screws and carryover bracket. Remove the media tray by removing the screws from the the engine assembly. Do not remove the 4 screws that hold the burner to the firebox bottom. See Figure 5.

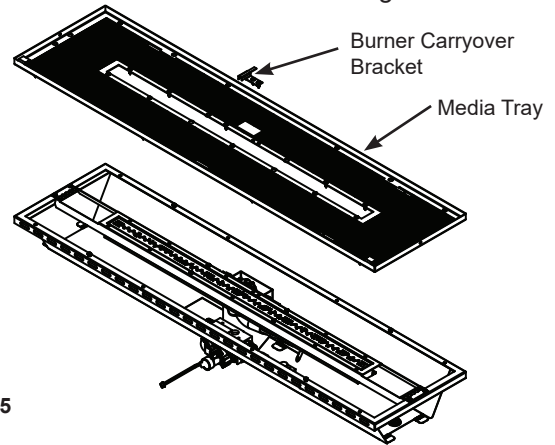


Figure 5

8. Install the LED lights on to the LED light tray. See Figure 6. LED lights are held in place with hand bend tabs.

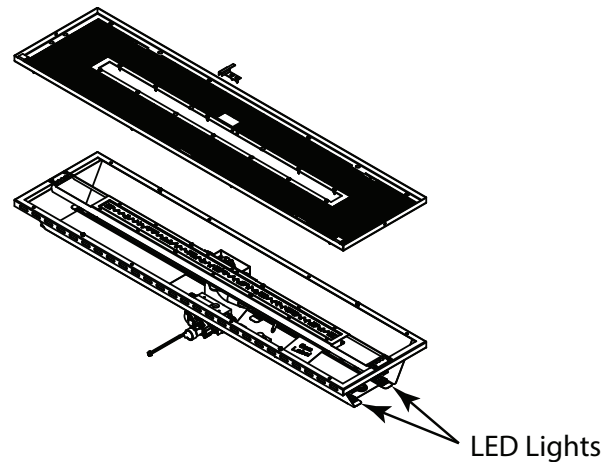


Figure 6

9. Place the LED control module and LED power module on the component tray. See Figure 7.

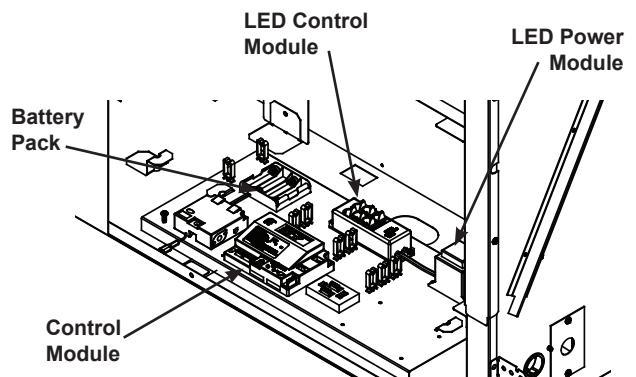
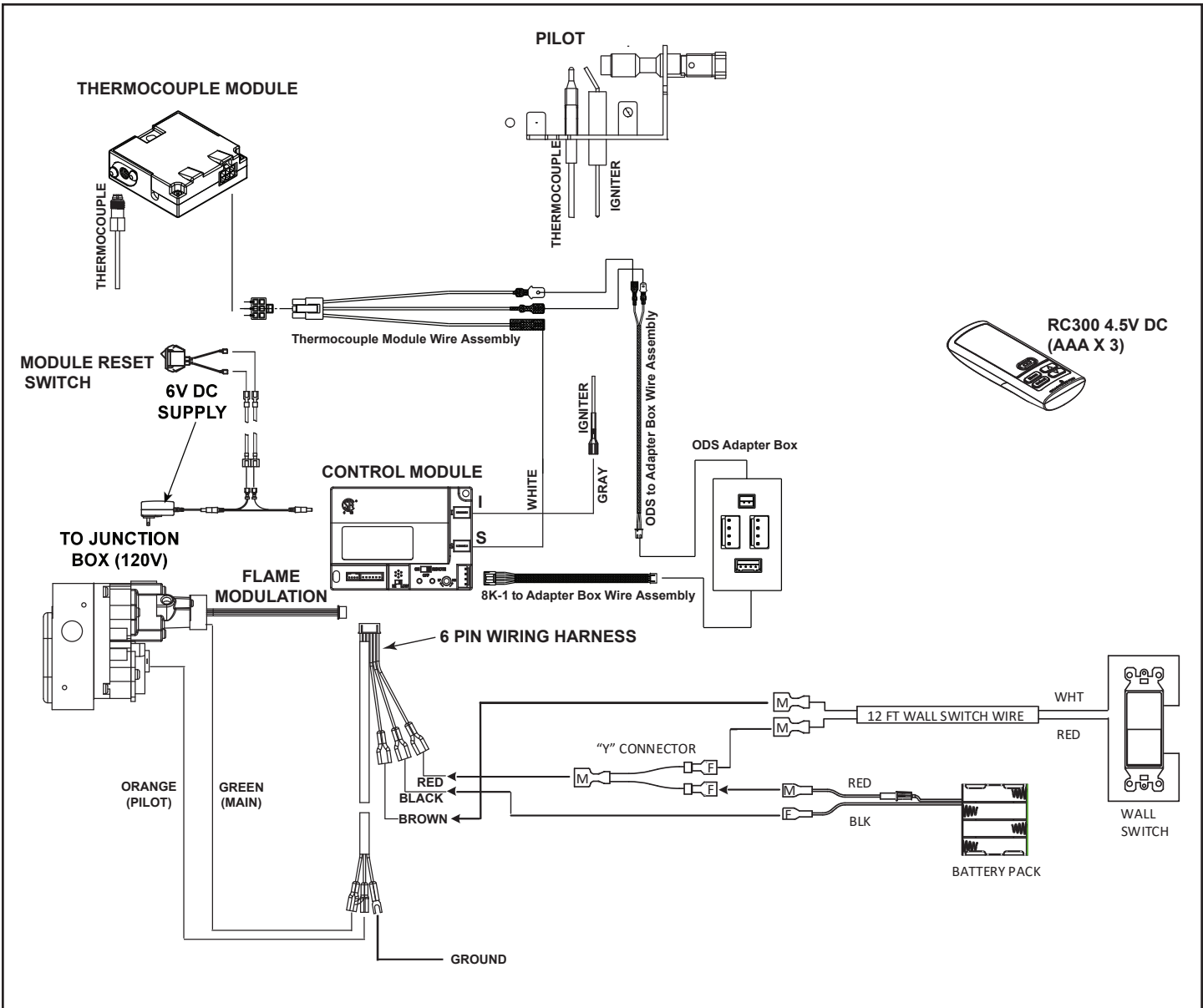


Figure 7

10. Install the aux input cable, wall switch, LED panel switches and wall switch wire. See wiring diagram (Figure 8).



NOTE: The LED components, rocker switch, wall switch wire and "Y" connector do not ship standard with the 42" units. These options must be purchased separately with the AVFL42LED kit

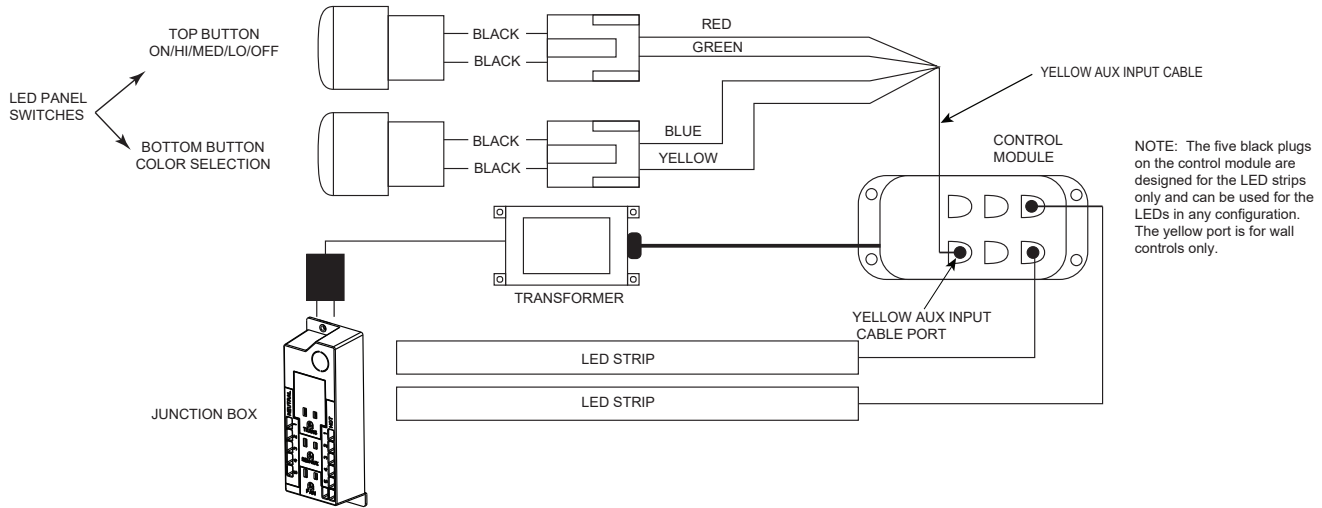


Figure 8

## LED Control

- Multi-colored LED lights - The two (2) round buttons on the right in Figure 9 turn LEDs ON (HI/MED/LO) and OFF function and cycle through the color selection.
1. Color Fade - This setting will cycle through the colors shown below at a slower rate.
  2. Color Fade Slow - This setting will cycle through the colors shown below at a slower rate.
  3. Pause Color - This setting will pause the slow color fade at any color in the color wheel.
  4. Solid Color Selection - This setting will cycle through each color in order:
    - Blue
    - Violet
    - Red
    - Yellow
    - Green
    - Cyan
    - White

**CAUTION! Risk of Electrical Shock! Avoid touching wires and electrical components in appliance control cavity.**

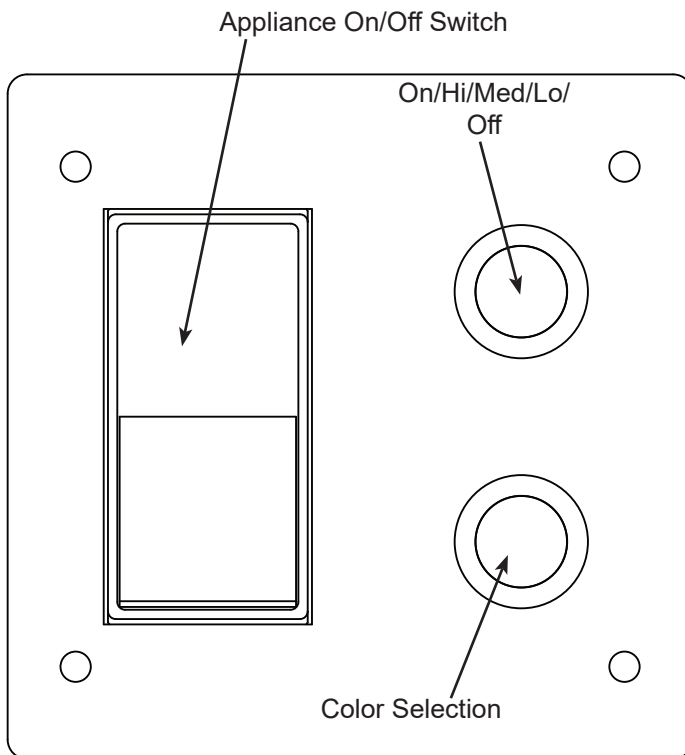


Figure 9

Please contact your Hearth & Home Technologies dealer with any questions or concerns. For the location of your nearest Hearth & Home Technologies dealer, please visit [www.hearthnhome.com](http://www.hearthnhome.com).