

INSTALLATION INSTRUCTIONS FOR FBK-LIN-B KIT

[FOR USE IN ALLUME60TEN-B, DRL4060TEN-B, ALLUME60TEN AND DRL4060TEN FIREPLACES]

(This Kit is Compatible for One Sided Application only)

Kit Components

This kit includes 2 (two) blower assemblies with pre-installed magnets, one (1) thermal switch magnetic assembly, one (1) speed control assembly, and these instructions.

Blower Kit		
Cat. No.	Model	Kit Name
F4580	FBK-LIN-B	Blower Kit 2 pc.

Table 1 (see Figure 1)

TOOLS REQUIRED (not included)

Electric Drill/Driver Gun
Phillips Screwdriver Bits (#2)
5/16 Nut Driver

GENERAL INFORMATION

This blower kit may be used with gas fireplaces listed herein. The FBK-LIN-B blower kit is used when a unit-mounted variable speed blower control is desired. The blowers are installed beneath the rear of firebox. When the fireplace reaches operating temperature, the thermal switch will turn on the blowers. Room air is drawn in through the bottom area of the fireplace, heated as it passes across the firebox, and discharged through the upper air exhaust area at the top of the firebox. The speed control can be turned up or down to the desired blower speed.

ALL WARNINGS AND PRECAUTIONS IN THE INSTALLATION AND OPERATION MANUAL PROVIDED WITH THE FIREPLACE APPLY TO THESE INSTRUCTIONS.

INSTALLER: Leave this manual with the appliance
CONSUMER: Retain this manual for future reference

IMPORTANT NOTICE

THIS KIT IS COMPATIBLE WITH ONE SIDED FIREPLACES ONLY.

! WARNING

This kit must be installed by a qualified installer, service agency, or gas supplier. These instructions must be used in conjunction with the installation and operation manual provided with the fireplace.

! WARNING

ELECTRICAL GROUNDING INSTRUCTIONS This appliance is equipped with a three-prong (grounding) plug for your protection against shock hazard and should be plugged directly into a properly grounded three-prong receptacle. The appliance must be electrically grounded in accordance with local codes or, in the absence of local codes, the National Electrical Code, ANSI/NFPA 70-(latest edition). (In Canada, the current CSA C22-1 Canadian Electrical Code.)

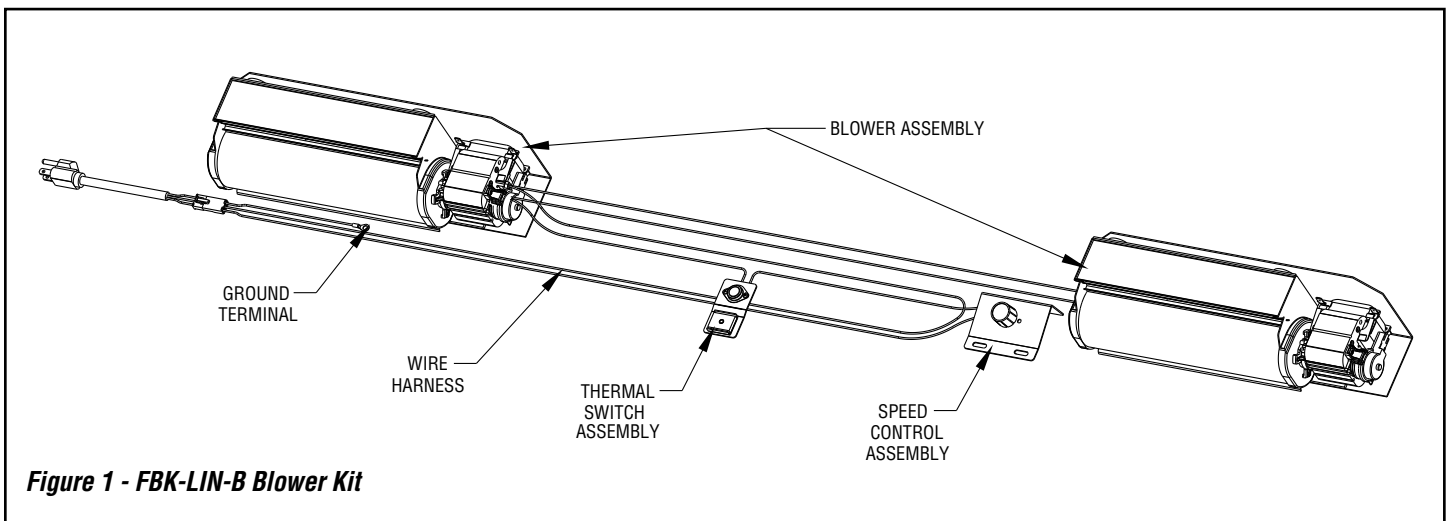


Figure 1 - FBK-LIN-B Blower Kit

FBK-LIN-B INSTALLATION

INSTALLING FBK-LIN-B

NOTE: The FBK-LIN-B blower is for application into direct-vent models listed on this manual only. The FBK-LIN-B blower kit can be installed before or after fireplace installation. When installing the FBK-LIN-B thermostatically controlled blower, make sure the wiring connections from the thermal switch to the blower are connected in place.

NOTE: While performing the installation, arrange all wires in an orderly fashion as to not to interfere with other components installed in the fireplace.



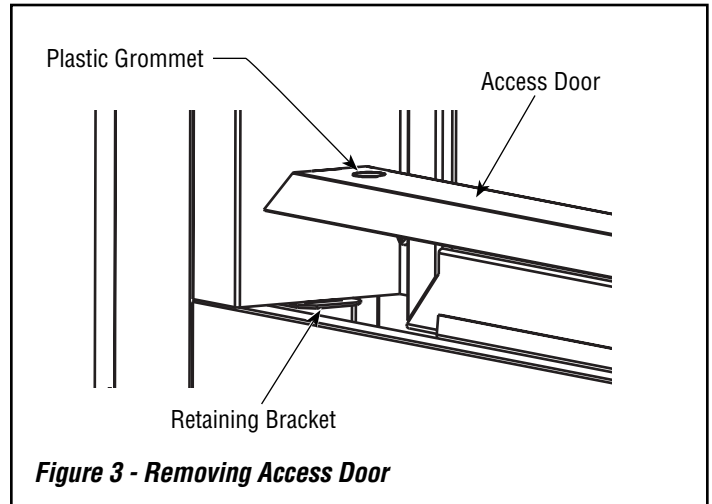
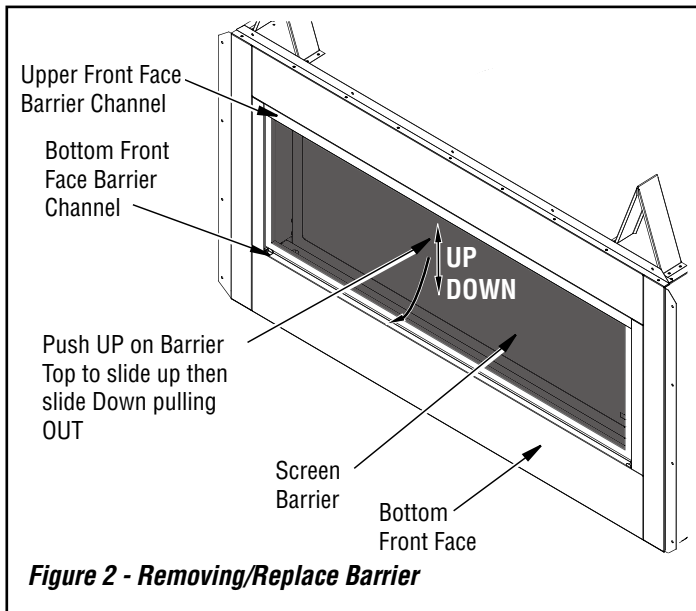
CAUTION

Use gloves as sheet metal parts may be sharp.

FOR ALL INSTALLATIONS

You must first remove the barrier (see **Figure 2**) and the control access door (see **Figure 3**).

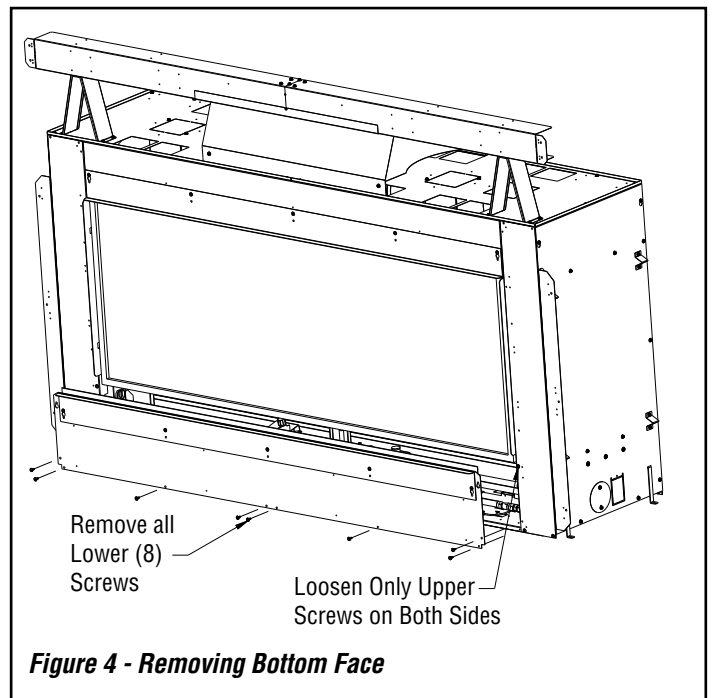
1. Lift the barrier to clear the bottom channel and swing the bottom of the barrier out. Then lower the barrier to clear the top channel. Place the barrier in a safe location for later reinstallation (see **Figure 2**).
2. Lift the control access door upward using the plastic grommets on the left and right side and remove (see **Figure 3**).



INSTALLING BLOWER KIT IN A NON INSTALLED FIREPLACE

ACCESSING THE FIREPLACE

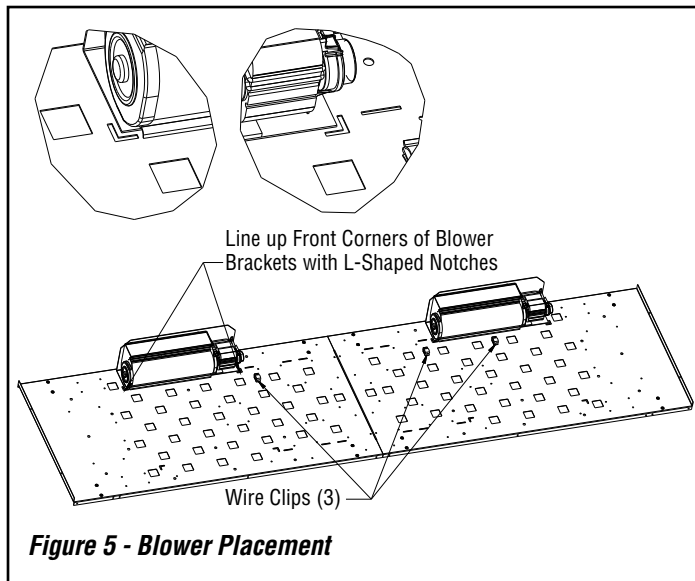
1. To access the fireplace, first loosen but do not remove the two (2) top screws, then remove the bottom eight (8) holding the bottom front fireplace face (**Figure 4**).



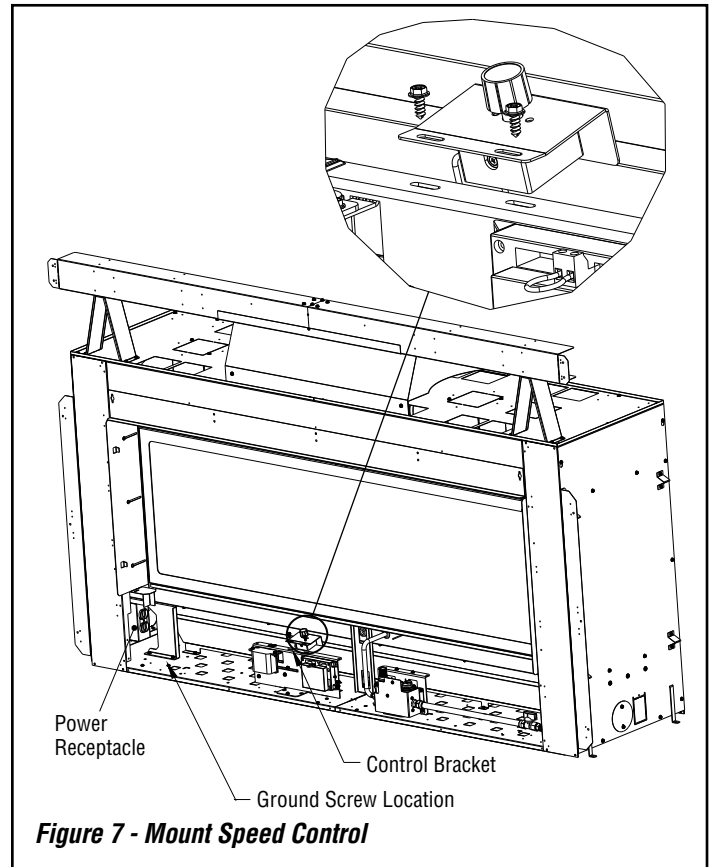
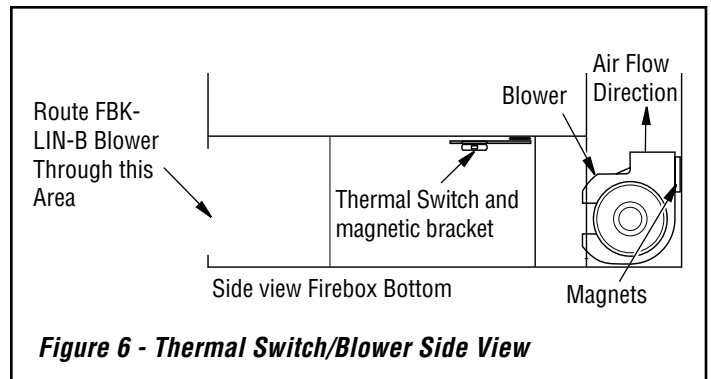
FBK-LIN-B INSTALLATION

INSTALLING BLOWER KIT

1. Locate the L-shaped notches on the fireplace base. There will be two on the rear of each side of the fireplace base used to properly align the blowers (*see Figure 5*).
2. Be certain that all wire terminals are securely attached to the terminals on the blower motor.
3. Locate the left and right blower assemblies in place with the magnets face down, attaching each to the fireplace bottom as shown in *Figure 5*. Ensure that the front corners of blower brackets are aligned with L shaped cutouts as shown.
4. Install wire clips into the holes as shown in *Figure 5* and attach the wire to them ensuring wiring is fixed to the bottom of the fireplace.



5. Attach thermal switch magnetic bracket to the bottom of the firebox bottom cover. The thermal switch must be orientated on the firebox bottom as shown in *Figure 6*, in order to properly operate.
6. Remove the two control bracket mounting screws and mount the speed control assembly using those same screws and holes as shown in *Figure 7*.
7. Plug the power cord from the wire harness into the power receptacle located on the lower left side of firebox.
8. Fasten ground eyelet on wire harness to base using supplied screw. See *Figure 7*.
9. The installation of the blowers is now complete.
10. Reattach the bottom fireplace front face in reverse order. Reinstall control access door and barrier.
11. Proceed to install the fireplace.

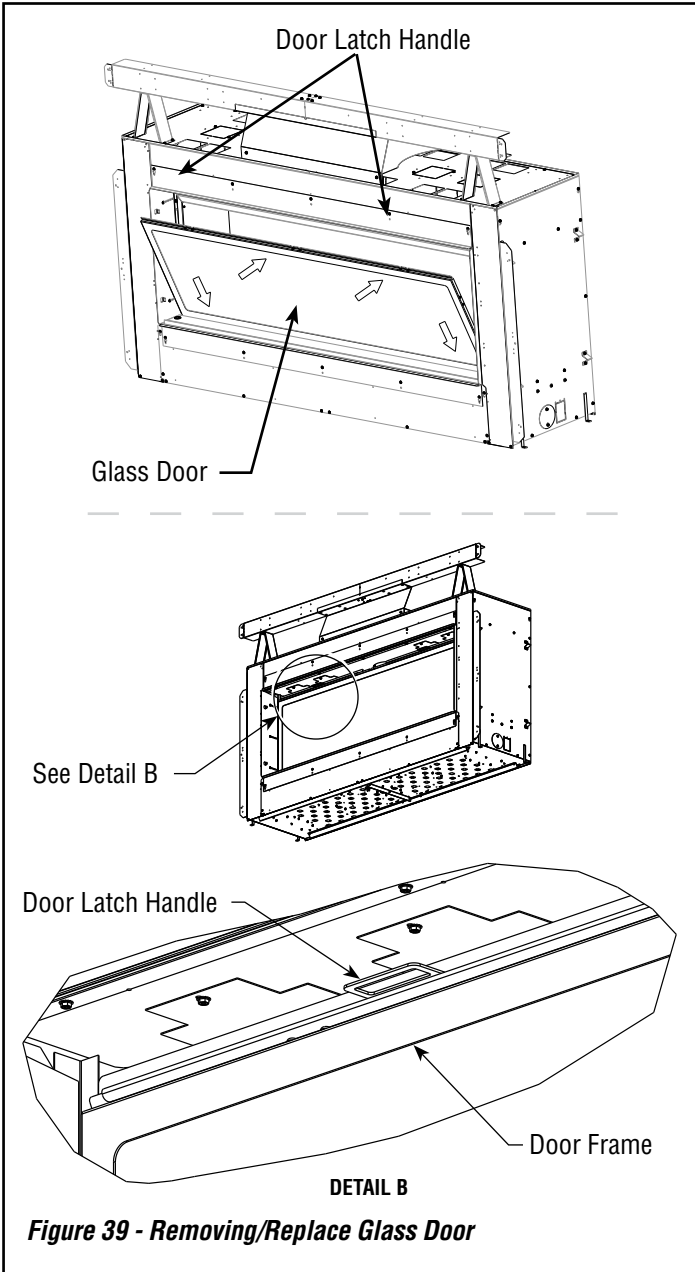


FBK-LIN-B INSTALLATION

INSTALLING BLOWER KIT ON A FINISHED INSTALLED FIREPLACE

ACCESSING THE FIREPLACE

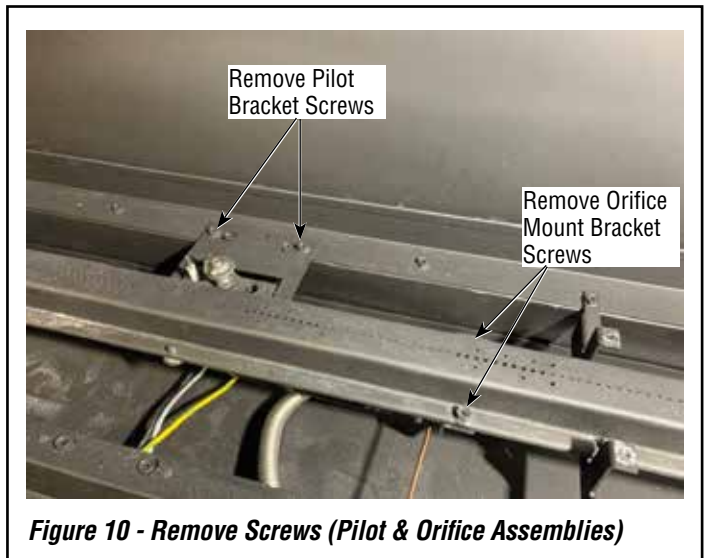
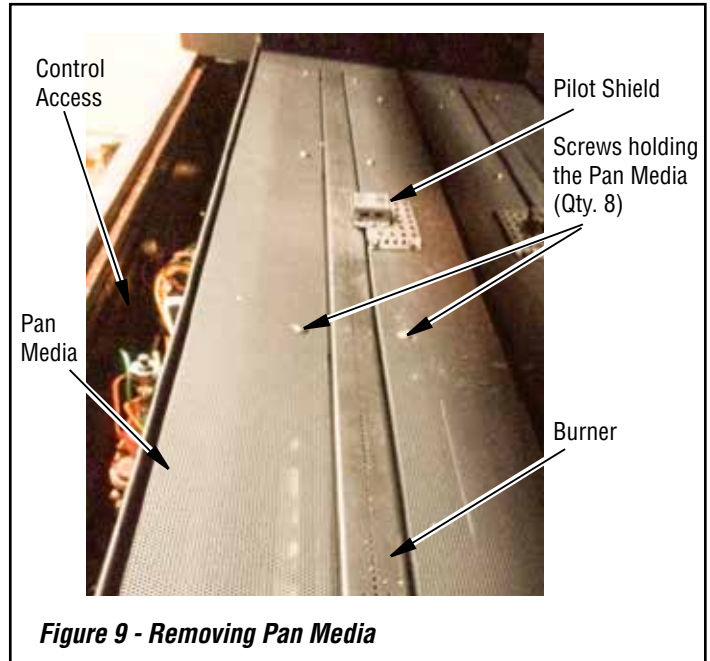
1. Pull forward and upward on the door latch handles to unlatch the door. Swing the top of the glass door away from the fireplace at about a 15° angle. See **Figure 8**.



REMOVING INNER COMPONENTS

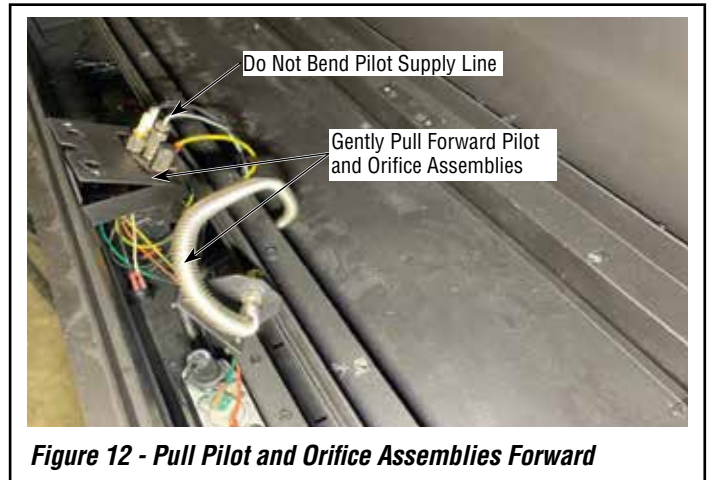
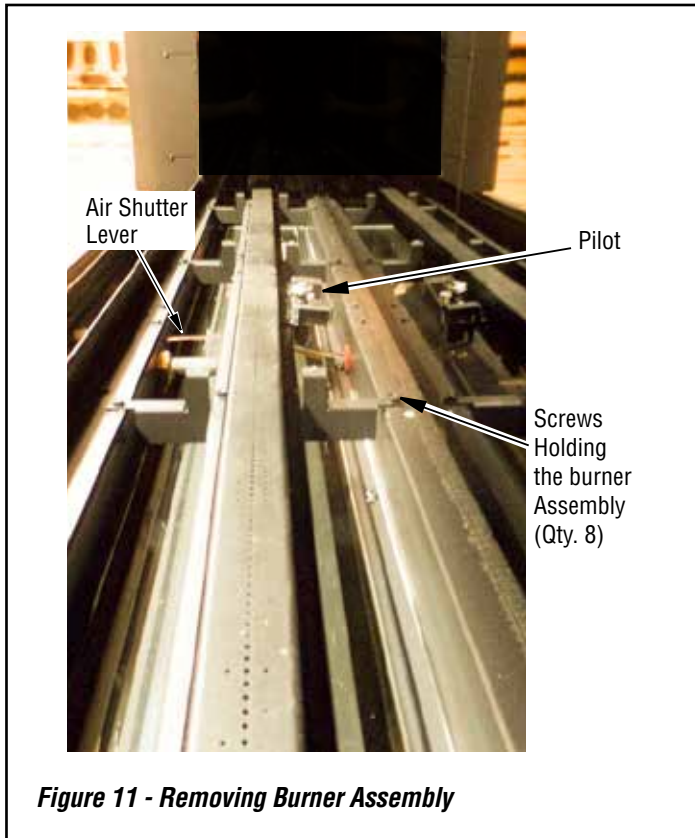
Remove the following parts for accessing the bottom rear of fireplace. **NOTE:** Save all parts/screws removed in a secure location for later reinstallation.

1. Remove the media (if installed), following the instructions provided with the Media Kit.
2. Remove the eight (8) 5/16 in. screws securing the media pan to the burner mounting brackets (see **Figure 9**).
3. Remove the two (2) screws securing the pilot assembly and the two (2) screws holding the orifice assembly (see **Figure 10**).

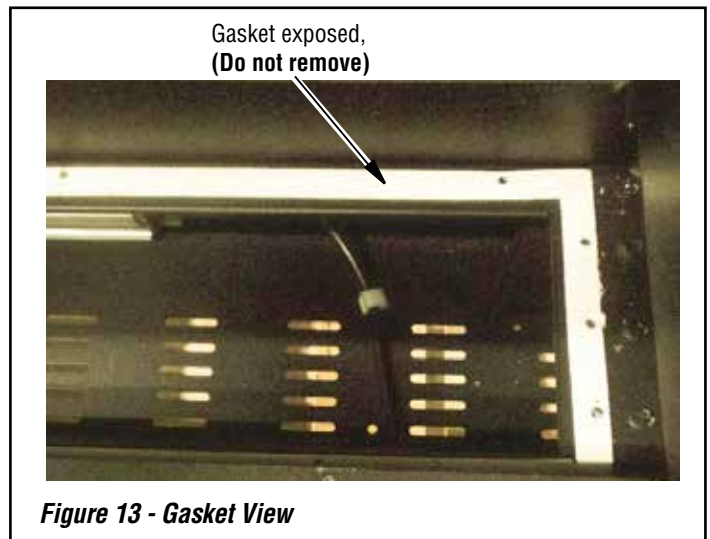


FBK-LIN-B INSTALLATION

4. Remove the eight (8) 5/16 in. screws securing the burner assembly to the chassis (see **Figure 11**).
5. Carefully rotate the burner towards the front to disengage the air shutter lever and slide the burner to the left, to clear the venturi tube from the orifice. Then, lift the burner and take it out of the fireplace.
6. Gently pull forward the pilot and orifice assemblies, ensuring not to bend or put excess stress on pilot supply line (see **Figure 12**).



7. Remove the eighteen (18) screws securing the firebox bottom cover plate to the chassis. Be careful not to break the gasket underneath cover plate (**Figure 13**).
8. Proceed to installing FBK-LIN-B.



FBK-LIN-B INSTALLATION

INSTALLING FBK-LIN-B

NOTE: While performing the installation, arrange all wires in an orderly fashion as to not to interfere with other amenities installed in the fireplace.

1. Be certain that all wire terminals are securely attached to the terminals on blower motor.
3. Locate the left and right blower assemblies in place with magnets face down, attaching to the fireplace bottom as shown in **Figure 5, Page 3**. Ensure front corners of blower brackets are aligned with L shaped cutouts as shown.
4. Install wire clips as shown in **Figure 5** and attach wire to them ensuring wiring is fixed to the bottom of the fireplace.
5. Attach the thermal switch magnetic bracket to the bottom of the previously removed firebox bottom cover. The thermal switch must be orientated on the firebox bottom as shown in **Figure 14**, in order to properly operate. The blowers will be held in position against the base by the magnets incorporated onto the blower housing (**Figures 15 and 16**).
6. Reinstall the firebox bottom cover using the 18 screws removed in step 7, (**Removing Inner Component**).
7. Remove the two control bracket mounting screws and mount the speed control assembly using those same screws and holes as shown in **Figure 7, Page 3**.
8. Plug the power cord from the wire harness into the power receptacle located on the lower left side of firebox.
9. Reinstall all parts/accessories removed, in reverse order.

NOTE: Care should be taken to properly install air shutter lever through firebox and verify smooth operation.

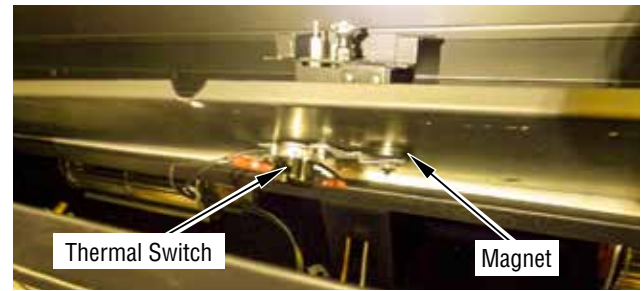


Figure 14 - Attaching Thermal Switch

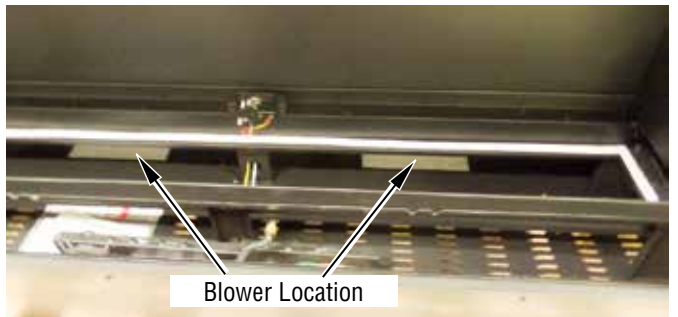


Figure 15 - Blower Location

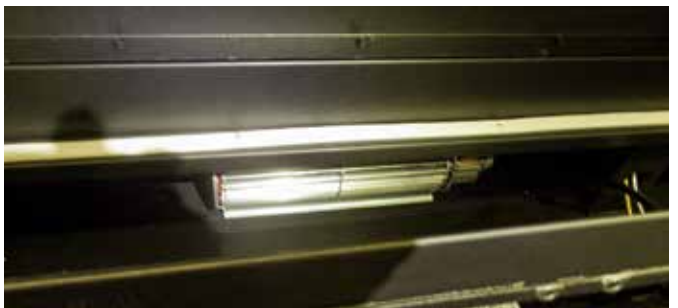


Figure 16 - Installing Blower

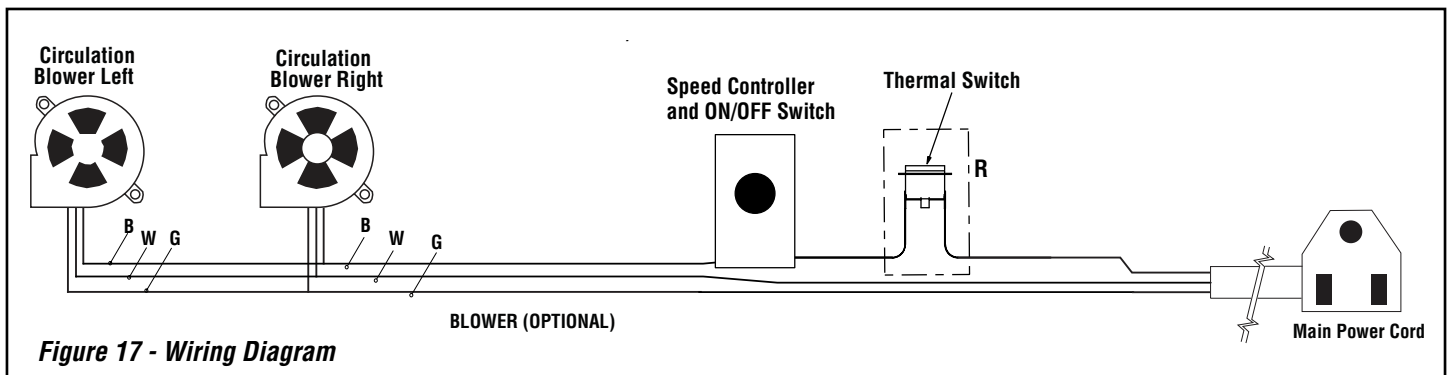


Figure 17 - Wiring Diagram

Innovative Hearth Products (IHP) reserves the right to make changes at any time, without notice, in design, materials, specifications, prices and also to discontinue colors, styles and products. Consult your local distributor for fireplace code information.

