

\* Before installation, please check the Lid Weight Range Table to determine if the NSDX-20 is the correct stay for your size and weight lid.

\* Please note the stay will not freely rotate (by hand), until it is has been properly fitted.

### 1 - Position and Install NSDX body and arm fixing plate

The hinge type and the overlay affect the placement of the body and the arm fixing plate. Please use the corresponding diagram to determine the mounting dimensions for your application. Temporarily position and install body and arm fixing plate using the tapping screws on the oval holes.

### 2 - Attach arm to arm fixing plate

Rotate stay to align the hole on the arm to the arm fixing plate. Attach arm to arm fixing plate using the supplied truss screw.

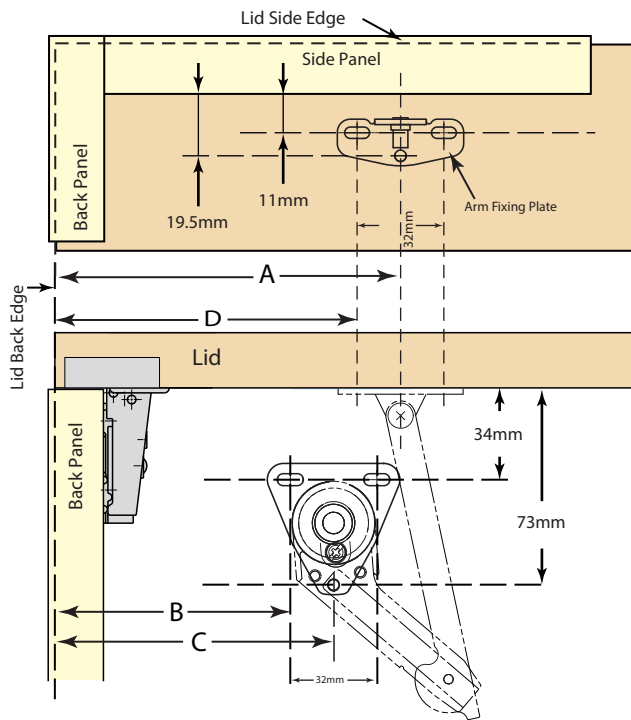
### 3 - Adjustment and Operation

Check the function and adjust the position of the body and arm fixing plate on oval holes. Tighten screws on oval holes, then fix the position of the body and arm fixing plate with tapping screws on the round holes.

### Speed Adjustment

Upon completion of installation, make sure the lid opens and closes properly. To adjust the closing speed of lid, turn speed adjustment screw. In case 2 units (left & right) are used on a lid, the speed adjustment screws on both sides must be turned evenly.

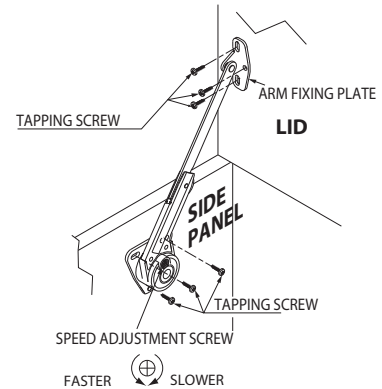
## Overlay Concealed Hinge (Euro Hinge) Installation



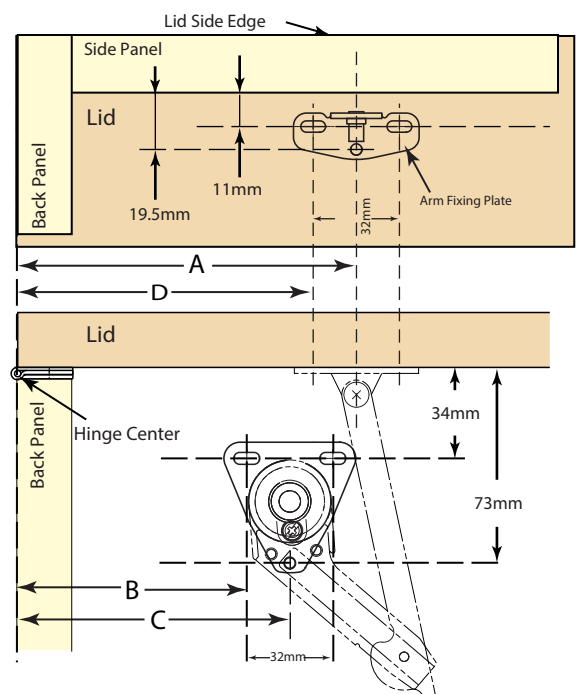
Opening angle	A	B	C	D
70°	126mm	85mm	101mm	110mm
105°	103mm	62mm	78mm	87mm

Please remember to use the **Stay Calculator** prior to purchase to check the stay is applicable.

## Left Side Example



## Overlay Single Knuckle (Piano, Butt, etc) Hinge



Opening angle	A	B	C	D
70°	125mm	84mm	100mm	109mm
105°	97mm	56mm	72mm	81mm