

# SPRING LOADED FOLDING BRACKET



# GTS-300

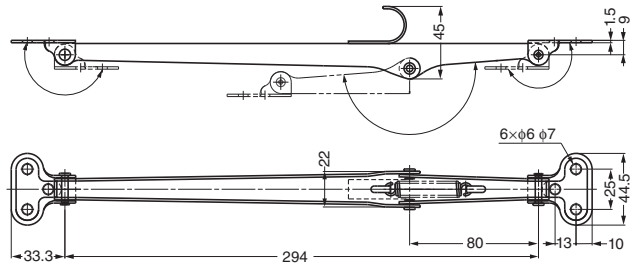
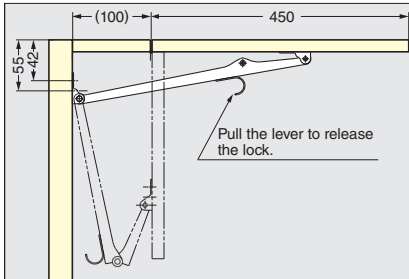


### ■ Features

- Spring loaded for lift assist.
- Pull the lever to fold down.

### ■ Remarks

- Shelf board depth : Max. 450 mm.
- Horizontal use only.



Item Code	Item Name	Material	Finish	Load Capacity	Load Capacity	Recommended Depth	Recommended Width	Weight	Box	Carton				
120-109-116	GTS-300	Stainless Steel (SUS304)	Mirror	29.4 N/pc	3 kgf/pc	58.8 N/2 pcs	6 kgf/2 pcs	Max. 450/pc	Max. 450/2 pcs	Max. 300/pc	Max. 600/2 pcs	190 g	12 pcs	96 pcs

# FOLDING BRACKET

# 388



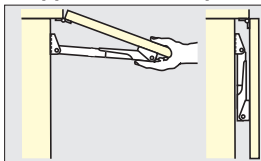
### ■ Features

- Folding bracket with lock lever.
- Locks in opened position.
- Shelf thickness : 15 mm ~ 35 mm.

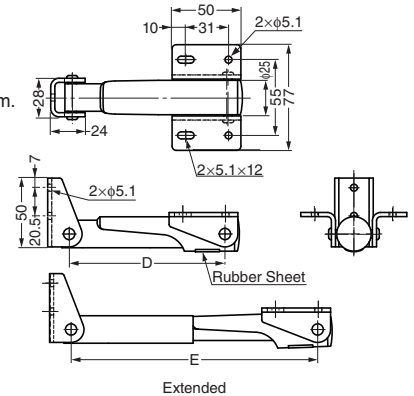
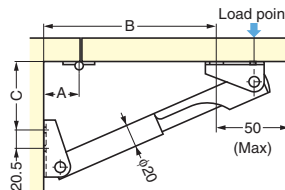
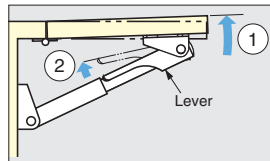
### ■ Required Quantity

- Width up to 600 mm : 1 pc
- Width 600 ~ 1300 mm : 2 pcs

### ■ Application Examples



### ■ How to Release the Lock

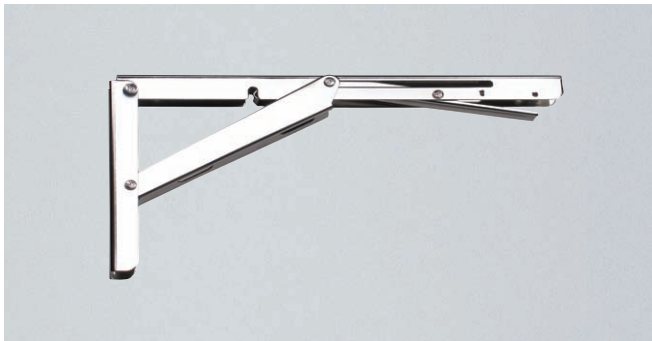


Item Code	Item Name	Material	Finish	A	B	C	D	E	Load Capacity	Weight	Box	Carton	
120-105-060	38820-25	Aluminium Alloy	Anodized	25~30	161	15	114	180	343 N/pc	35 kgf/pc	149 g	5 pcs	50 pcs
120-105-061	38830-25	Aluminium Alloy	Anodized	25~39	252	45	168	275.9	539 N/pc	55 kgf/pc	187 g	5 pcs	50 pcs
120-105-062	38845-25	Aluminium Alloy	Anodized	25~50	402	87	258.5	430.8	588 N/pc	60 kgf/pc	266 g	5 pcs	30 pcs
120-105-063	38860-25	Aluminium Alloy	Anodized	25~40	549	137	368.5	585.8	784 N/pc	80 kgf/pc	342 g	5 pcs	30 pcs

# FOLDING BRACKET

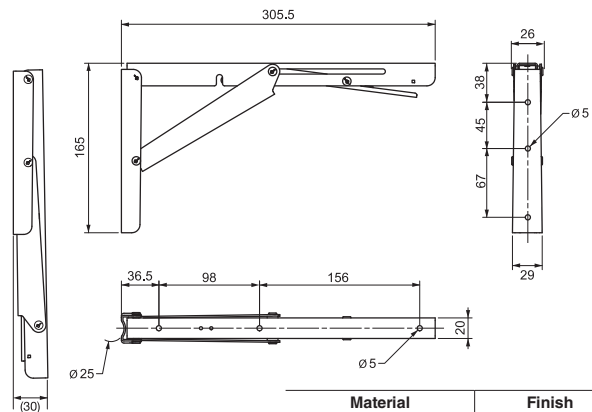


# EB-303/EP



### ■ Features

- Bracket with hinge function in one unit.
- Automatically locks when flap is in opened position.
- Press lever to release the lock.



Item Code	Item Name	Load Capacity	Weight	Carton
120-018-226	EB-303/EP	150 kgf/pc	479 g	25 pcs

Material	Finish
Stainless Steel (SUS304)	Polished