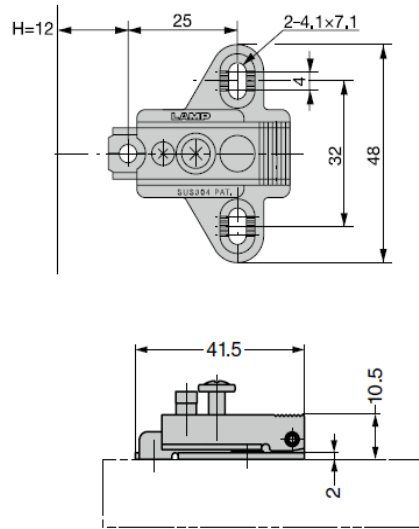


## STAINLESS STEEL MOUNTING PLATE 100-P4A/32-3WAY-SUS304B

SUS



- Overlay adjustable.
- Standard height: 0mm
- Value of H: Door thickness + 17mm in use of INSET type (Door thickness + 12mm in use of INSET type of H160 or 170 hinge).

### [Recommended Screws]

- M4 binding head screw

Item Code	Item Name	Material	Finish	Weight (g)	Box (pcs)
160-079-044	100-P4A/32-3WAY-SUS304B	Stainless Steel (SUS304)	Barrel Polished	40	400