

# NON-MAGNETIC TOUCH LATCH



## MC-28



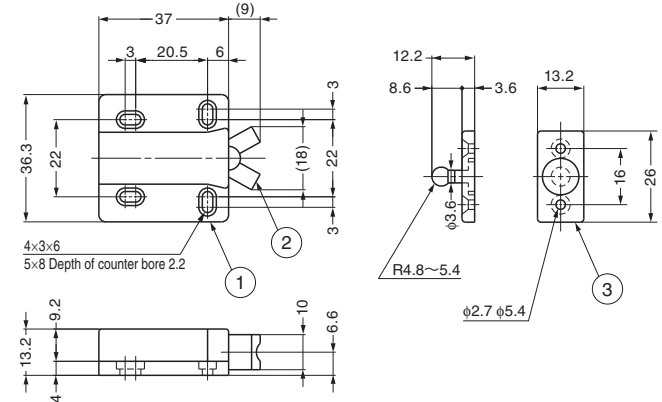
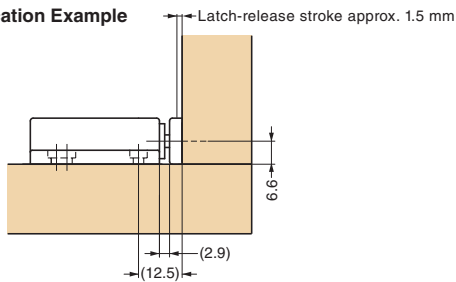
### ■ Features

- No handle needed, just push to open/close.
- Non magnetic.
- Passed 30,000-times opening and closing test.

### ■ Remarks

For overlay door, make a 3 mm gap between door and cabinet frame.

### ■ Application Example



No.	Part Name	Material
①	Body	ABS
②	Arm	Polyacetal (POM)
③	Counter Plate	Polyamide (PA)

Item Code	Item Name	Colour	Retaining Force N	Retaining Force kgf	Weight	Box	Carton
140-059-203	MC-28	Black	29 N	3 kgf	15 g	50 pcs	500 pcs

# NON-MAGNETIC TOUCH LATCH



## MC-37F



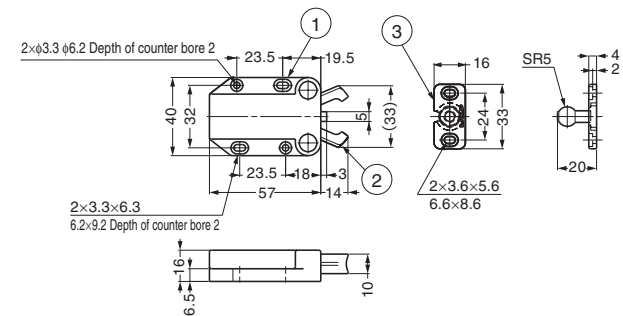
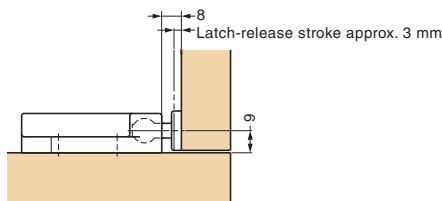
### ■ Features

- No handle needed, just push to open/close.
- Floating strike for easy alignment.
- Non magnetic.
- Passed 100,000-times opening and closing test.

### ■ Parts Included

Round head wood screw 3.5×10, 3.1×13

[Video Link](#)



No.	Part Name	Material	Colour
①	Body	ABS	Black, Brown, White
②	Arm	Polyacetal (POM)	Black, Brown, White
③	Counter Plate	Polyamide (PA)	Black, Brown, White

Item Code	Item Name	Colour	Retaining Force N	Retaining Force kgf	Weight	Box	Carton
140-058-064	MC-37F-BK	Black	78 N	8 kgf	24 g	30 pcs	300 pcs
140-058-066	MC-37F-BR	Brown	78 N	8 kgf	24 g	30 pcs	300 pcs
140-058-065	MC-37F-WH	White	78 N	8 kgf	24 g	30 pcs	300 pcs