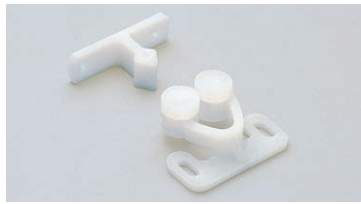
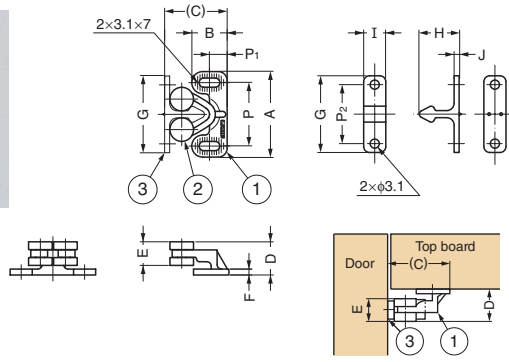
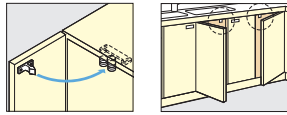


ROTARY CATCH



Installation



TEST METHOD 10

RC6900, RC6901

Features

- Resin body prevents rust.
- Suitable for general furniture, kitchen equipment and marine hardware.
- Passed 100,000 times opening and closing test.
- Can be used for overlay and inset door.
- Brown colour available (RC6901 only).

Recommended Screw

Binding head tapping screw nominal 3

Item Name	Push-in Force N	Push-in Force kgf	Pulling Force N	Pulling Force kgf
RC6900	10.8 N	1.1 kgf	15.7 N	1.6 kgf
RC6901	21.6 N	2.2 kgf	31.4 N	3.2 kgf

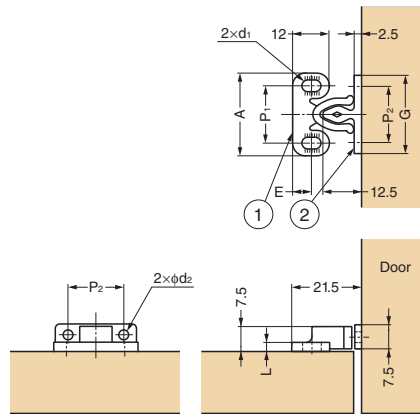
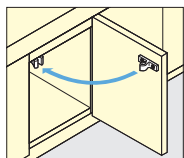
No.	Material	Colour
①	Polyacetal (POM)	Natural
②	Polyethylene (PE)	Natural
③	Polyacetal (POM)	Natural

Item Code	Item Name	A	B	C	D	E	F	P	P ₁	G	H	I	J	P ₂	Weight	Box	Carton
140-050-209	RC6900	29	12	21.2	11.3	8	2	21.5	6	26	13.5	7.5	1.7	20	3 g	100 pcs	2,000 pcs
140-051-015	RC6901	31.3	14	27.2	12.6	9	2.3	24.4	7.5	32	16.5	9	2	23.6	4 g	100 pcs	2,000 pcs

KNUCKLE CATCH



Installation



TEST METHOD 10

JC-24, JC-26

Features

- Resin body prevents rust.
- Suitable for general furniture, kitchen equipment and marine hardware.
- Can be used for overlay and inset door.

Recommended Screw

JC-24: Round head wood screw nominal 2.4
JC-26: Binding head tapping screw nominal 3

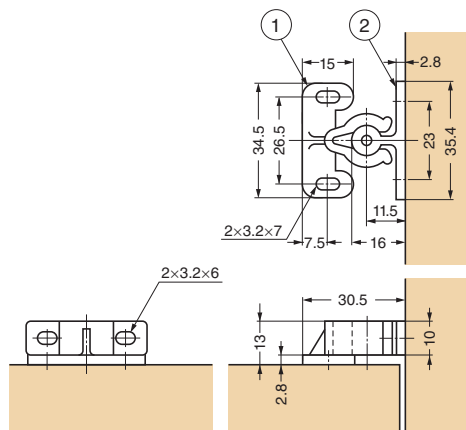
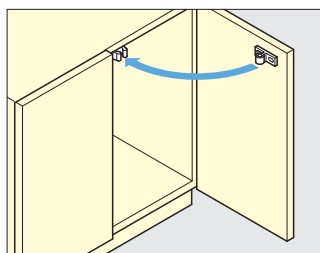
Item Code	Item Name	A	P ₁	E	G	P ₂	L	d ₁	d ₂	Push-in Force	Pulling Force	Weight	Box	Carton		
140-050-046	JC-24	24	17	7	22	15.5	2	2.5×5.5	2.5	30.4 N	3.1 kgf	26.5 N	2.7 kgf	1.5 g	100 pcs	2,000 pcs
140-916-119	JC-24B	24	17	7	22	15.5	2	2.5×5.5	2.5	30.4 N	3.1 kgf	26.5 N	2.7 kgf	1.5 g	100 pcs	2,000 pcs
140-051-018	JC-26	26	18	6	24.5	17	2.5	3.3×6	3.3	21.6 N	2.2 kgf	16.7 N	1.7 kgf	2 g	100 pcs	5,000 pcs

No.	Part Name	Material	Colour
①	Body	Polyacetal (POM)	Natural/Black (JC-24B)
②	Counter Plate	Polyamide (PA)	Natural/Black (JC-24B)

KNUCKLE CATCH



Installation



TEST METHOD 10

NAC

Features

- Holds door tightly and suitable for large door.
- High durability.
- Can be used for overlay and inset door.

Item Code	Item Name	Push-in Force N	Push-in Force kgf	Pulling Force N	Pulling Force kgf	Weight	Box	Carton
140-051-013	NAC	55.8 N	5.7 kgf	69.5 N	7.1 kgf	4.5 g	100 pcs	1,000 pcs

No.	Part Name	Material	Colour
①	Body	Polyacetal (POM)	Natural
②	Counter Plate	Polyamide (PA)	Natural