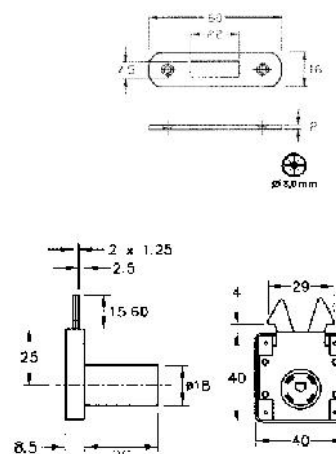
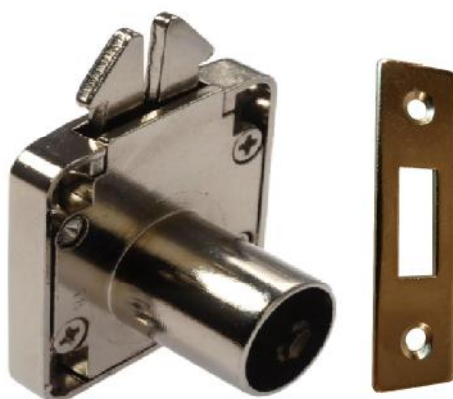


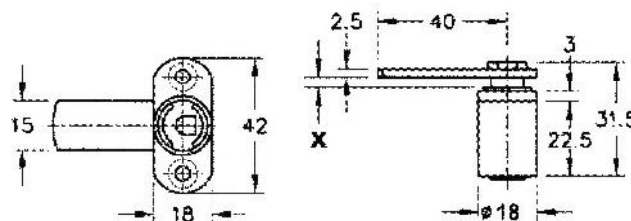
# BMB Tambour Door & Lever Lock Housing

All of our core removable locks require cores & keys  
See the cores & keys page at the end of this section for more information

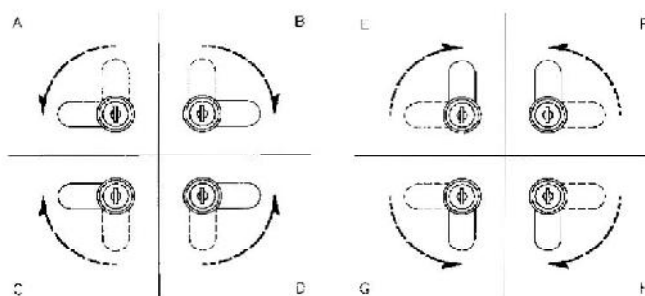
LK30000



LK30040



LK30012  
LK30013  
LK30014  
LK30015



Code	Description	Finish
LK50028	TAMBOUR LOCK WITH 22MM BARREL LENGTH	NICKEL PLATED
LK30040	LEVER LOCK WITH 90DEG CRANKED 40MM LEVER	NICKEL PLATED
LK30012	CAM LH LOCK WITH 17MM BARREL LENGTH B(CEH)	NICKEL PLATED
LK30013	CAM RH LOCK WITH 17MM BARREL LENGTH A(DFG)	NICKEL PLATED
LK30014	CAM LH LOCK WITH 22MM BARREL LENGTH B(CEH)	NICKEL PLATED
LK30015	CAM RH LOCK WITH 22MM BARREL LENGTH A (DFG)	NICKEL PLATED