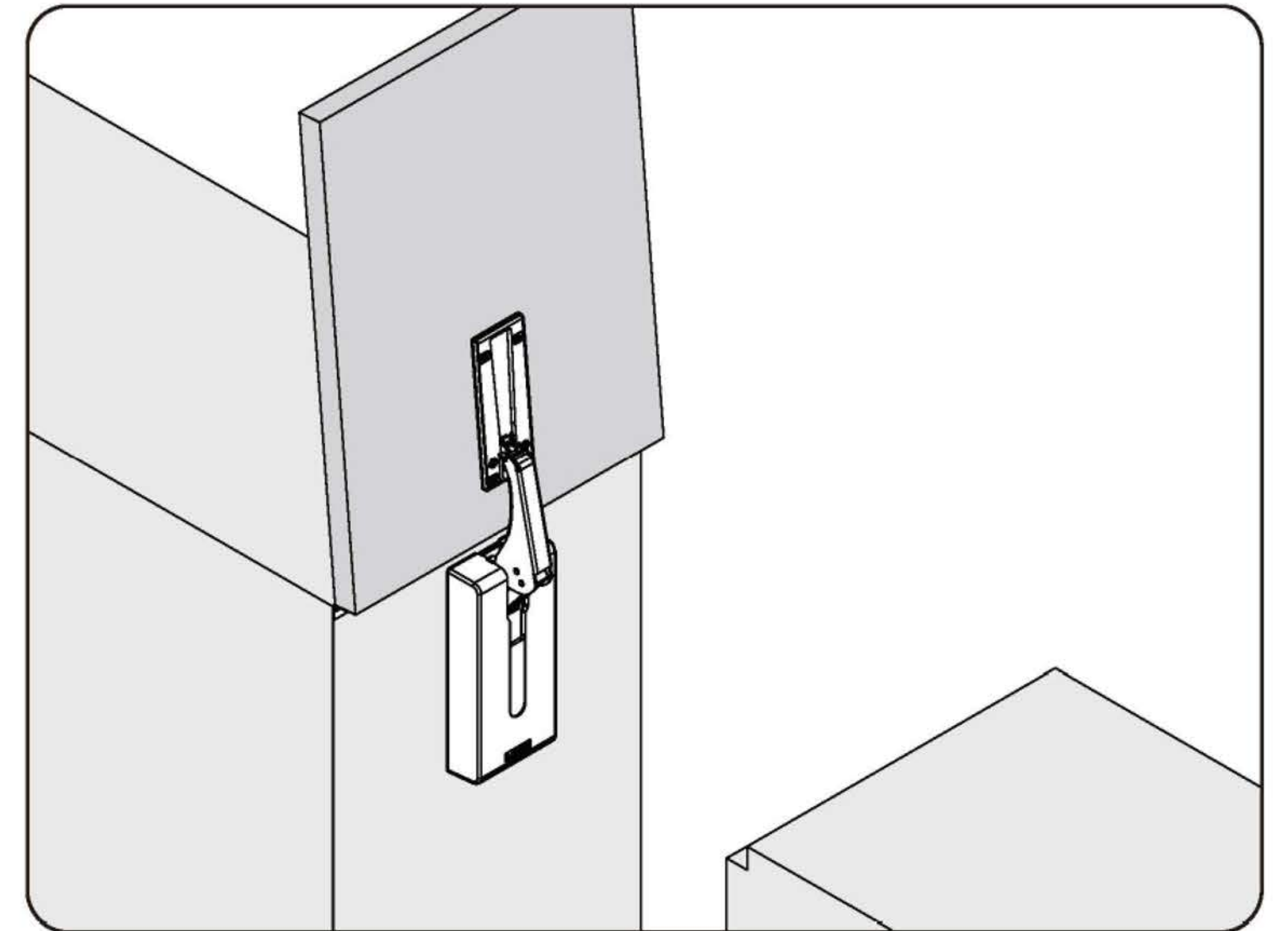


LADH LIFT ASSIST DAMPER (FOR HEAVY DUTY) Installation instruction

Thank you for selecting our product. Before starting installation, please read this manual thoroughly to ensure correct installation. Please keep this manual at hand for future reference.

About the product








- LADH is a lift assist damper to support a top-opening door.
- Equiped with stopper and operating angle is 0° ~ 95°

In order to use the product in a safe way

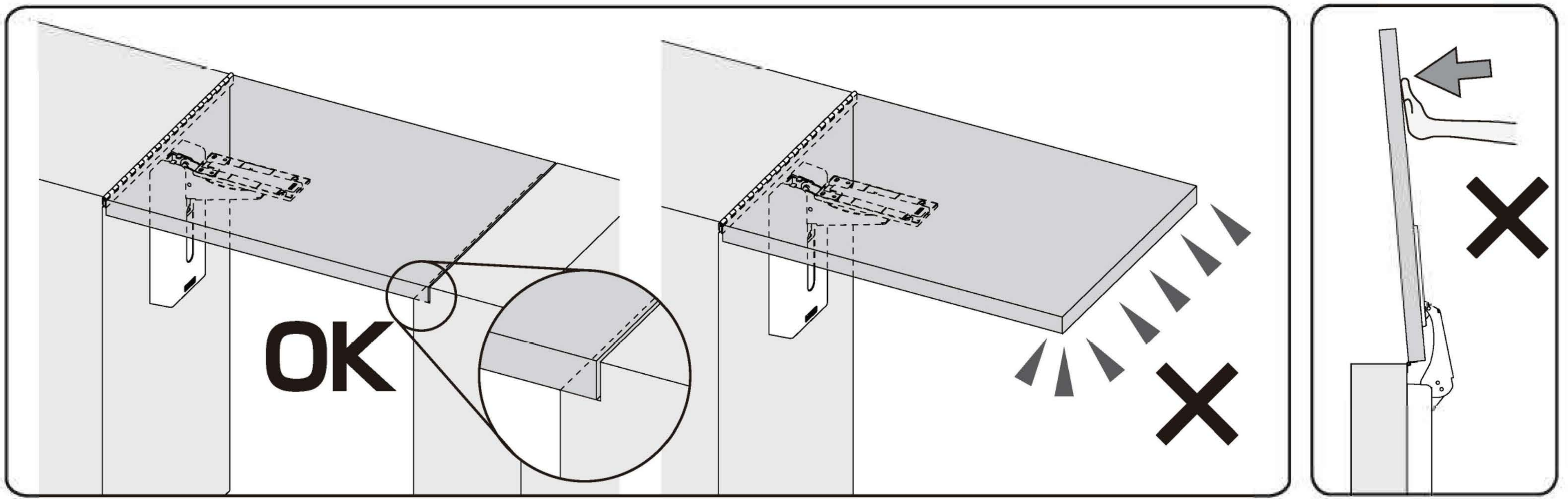
Meaning of symbols

 Warning Caution	 Prohibited	 Required
--	--	--

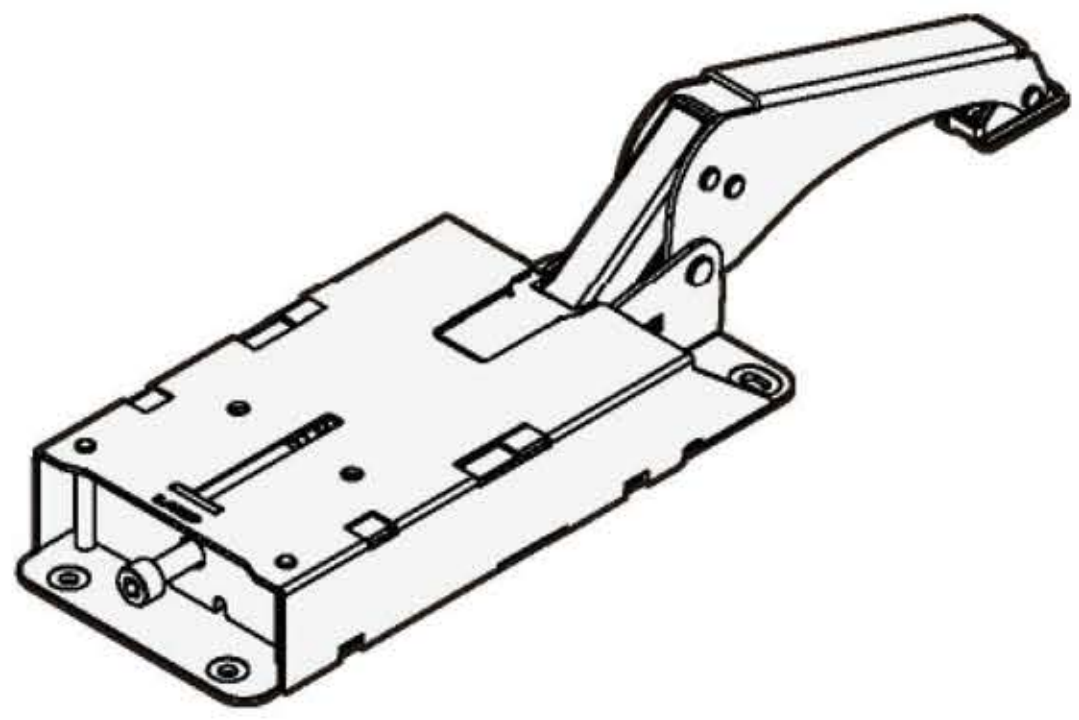
 **CAUTION** If these cautions are not followed, it may result in injury or damage.

-  Stopper is only designed to keep the door in the opened position. Do not force the door open past 95°, as this may damage the product or the hinge.
-  This product is not designed to support the weight of the door in the closed position.
-  Do not use furniture concealed hinges.
-  Make sure that installation position and specifications are correct.
-  Ensure door, board and hinges are firm enough to support the load.
-  Loosen the adjusting screw to the maximum before installing and removing the product.
-  Make sure to test the screws for slack at regular intervals (one month from first usage, half year and then one time every year is recommended).

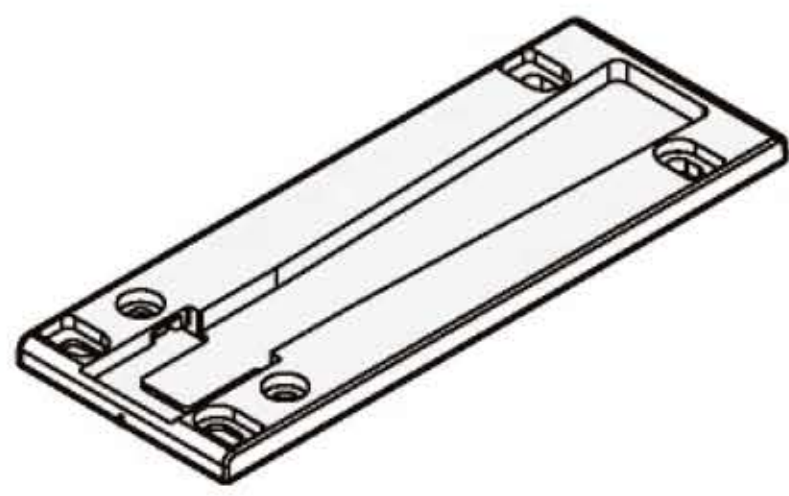
Caution



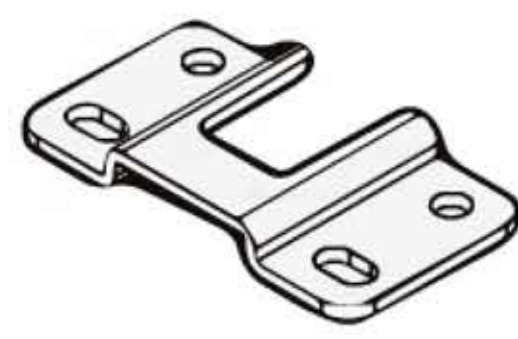
Component parts



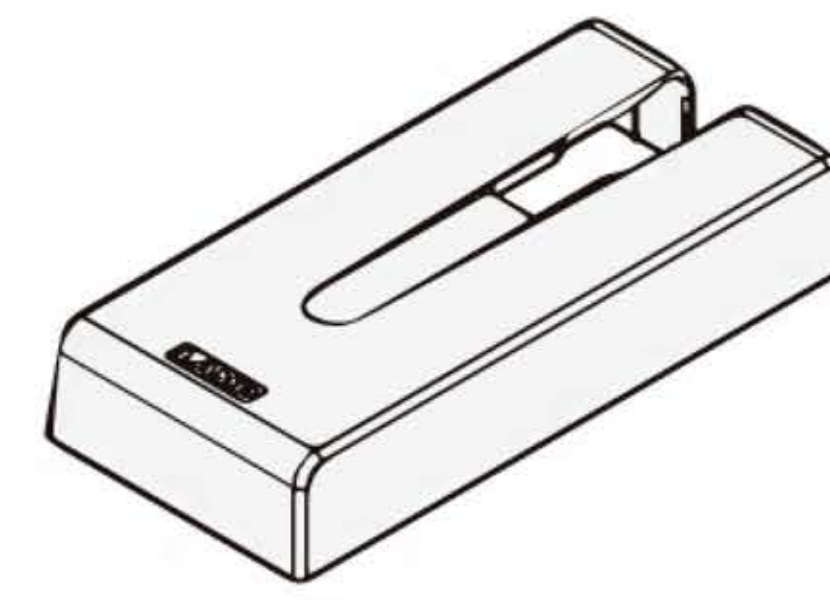
■ Damper unit : 1 pc



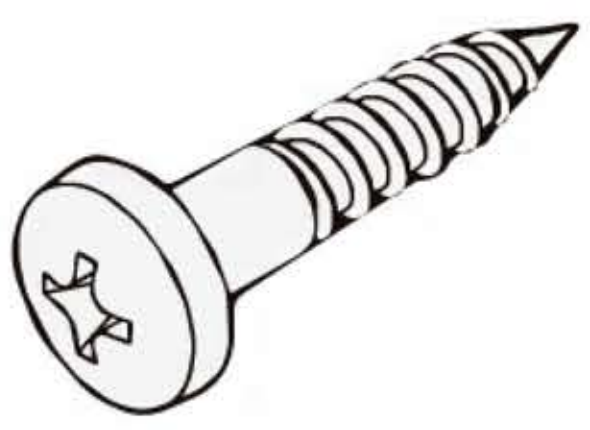
■ rail : 1 pc



■ Stopper : 1 pc



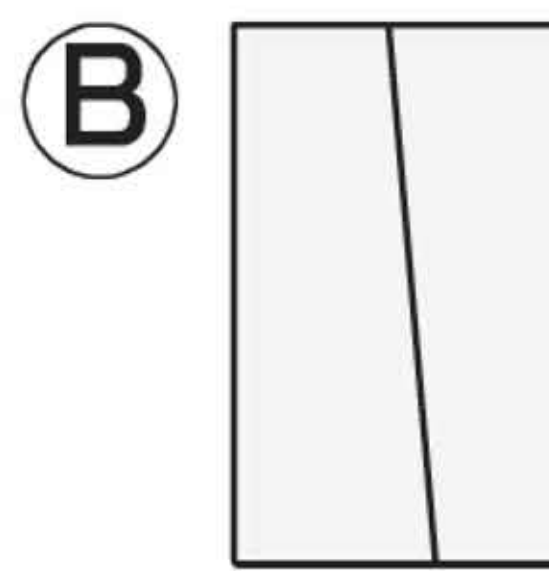
■ Damper cover : 1 pc



■ Installation screw : 14pcs



■ Installation template for LADH : 3types



Specification

Item No.	Torque	Door thickness
LADH-50	35 ~ 50 N·m (356.9 ~ 509.9 kgf·cm)	30 ~ 50 mm
LADH-35	25 ~ 35 N·m (254.9 ~ 356.9 kgf·cm)	

Torque Calculation

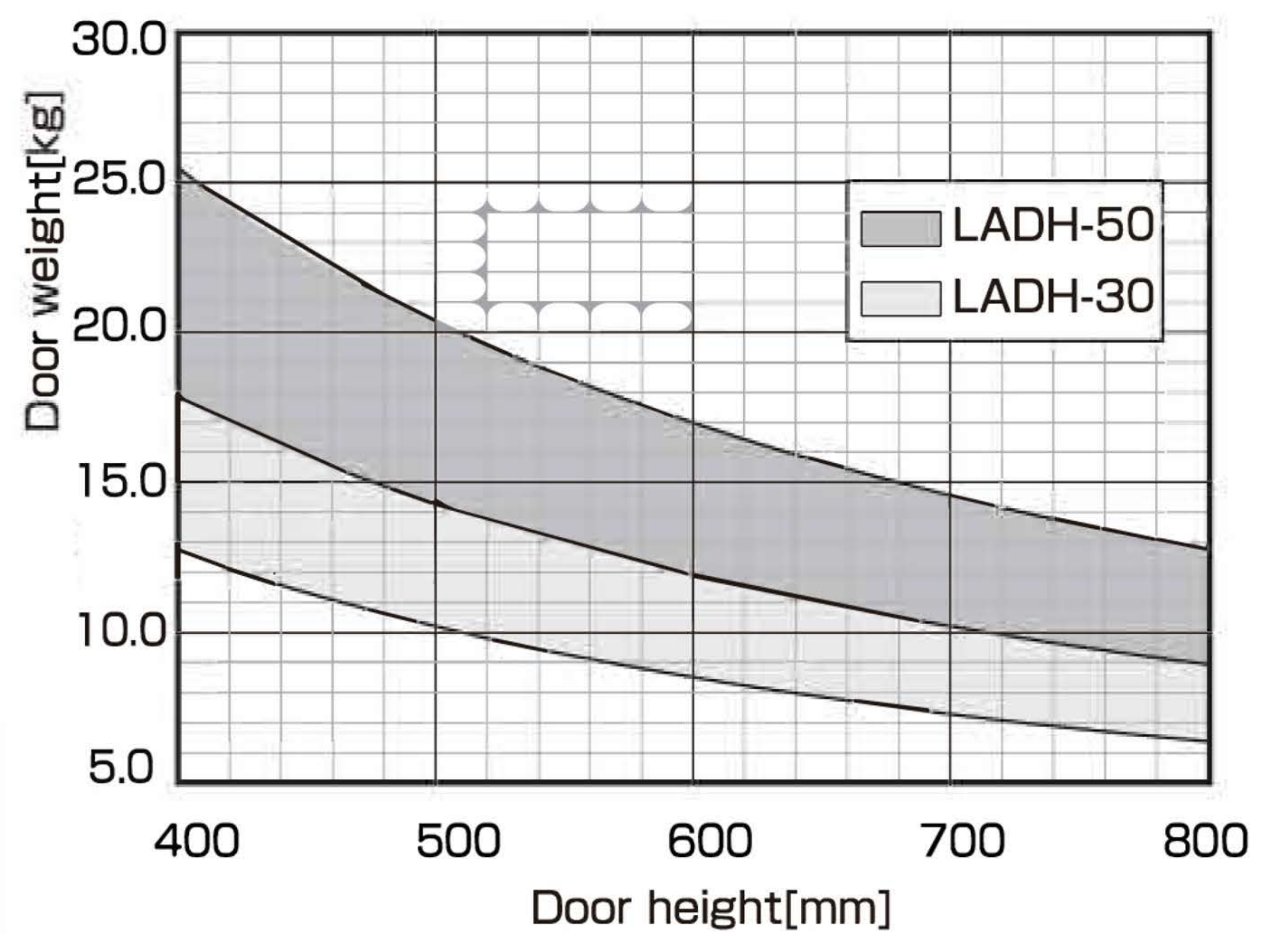
$$\frac{\text{Door height[m]}}{2} \times \text{Door weight[kg]} \times 9.8 = \text{Torque moment [N·m]}$$

■ Hinge (Sold separately)

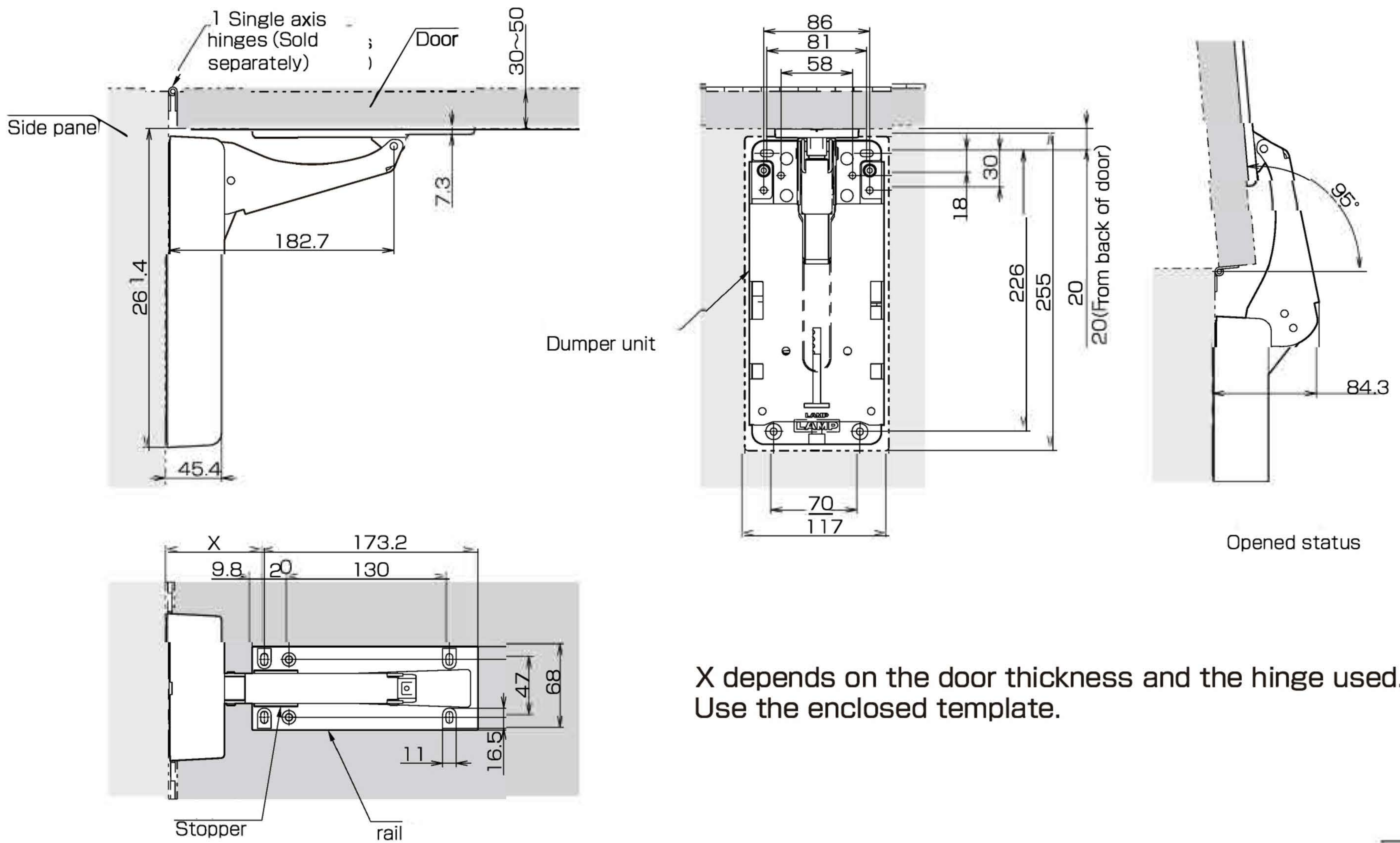
Usable OK		Unusable X	
Single axis hinges		Furniture concealed hinges	
		Recessed hinges	

■ Operating temperature 0°C ~ 40°C

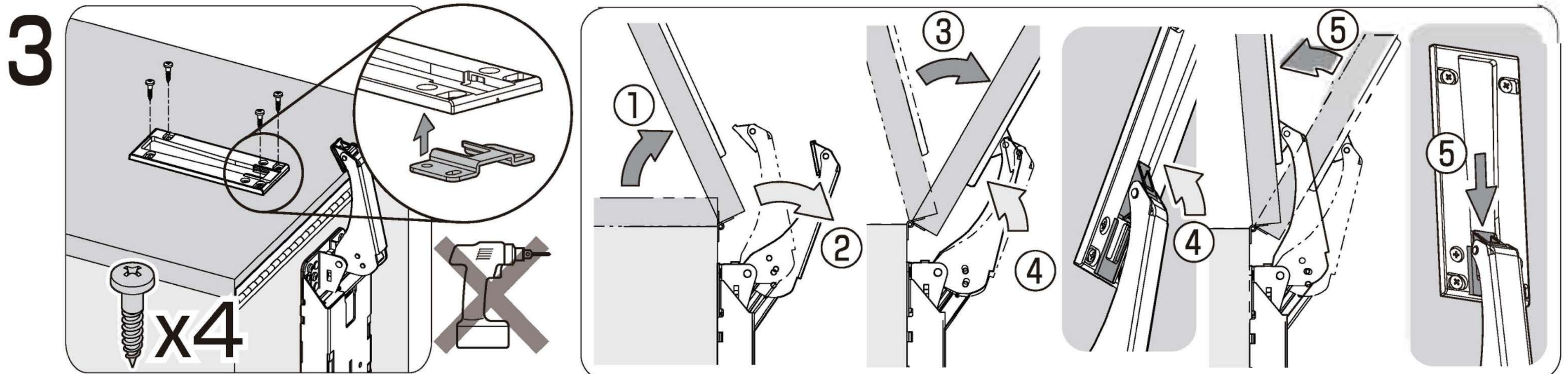
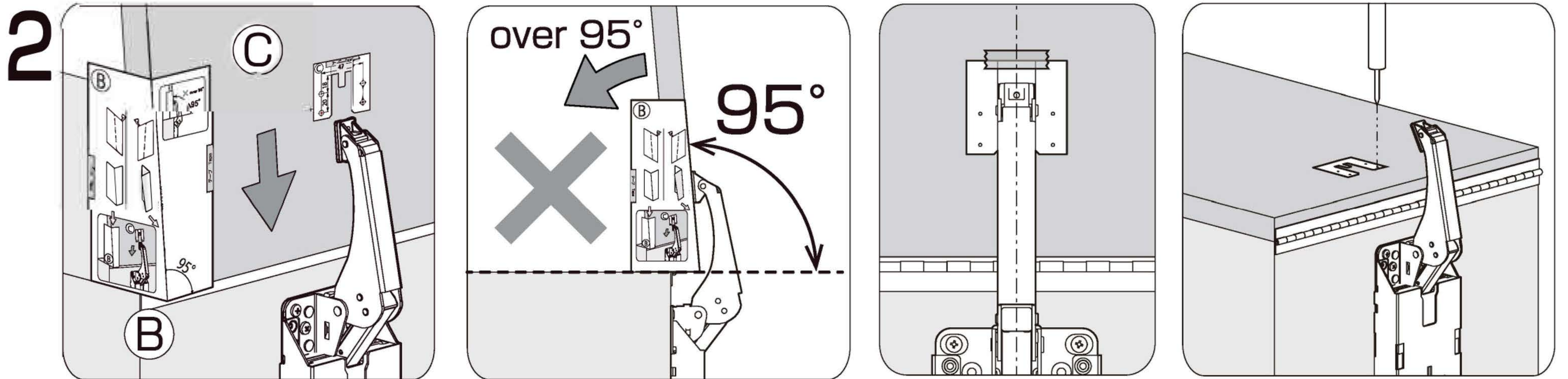
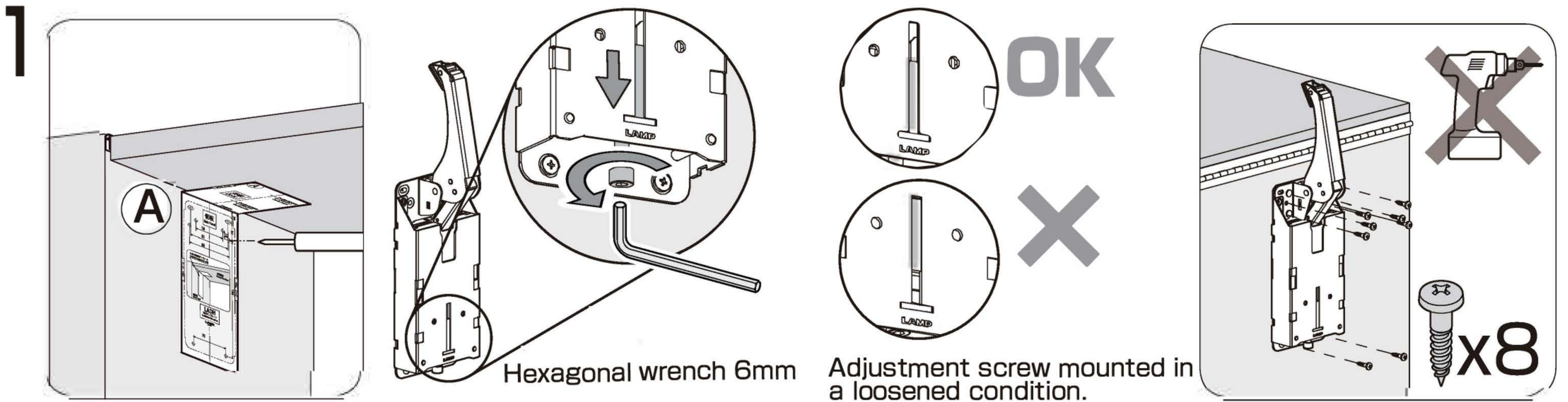
[Applicable door weight and size]

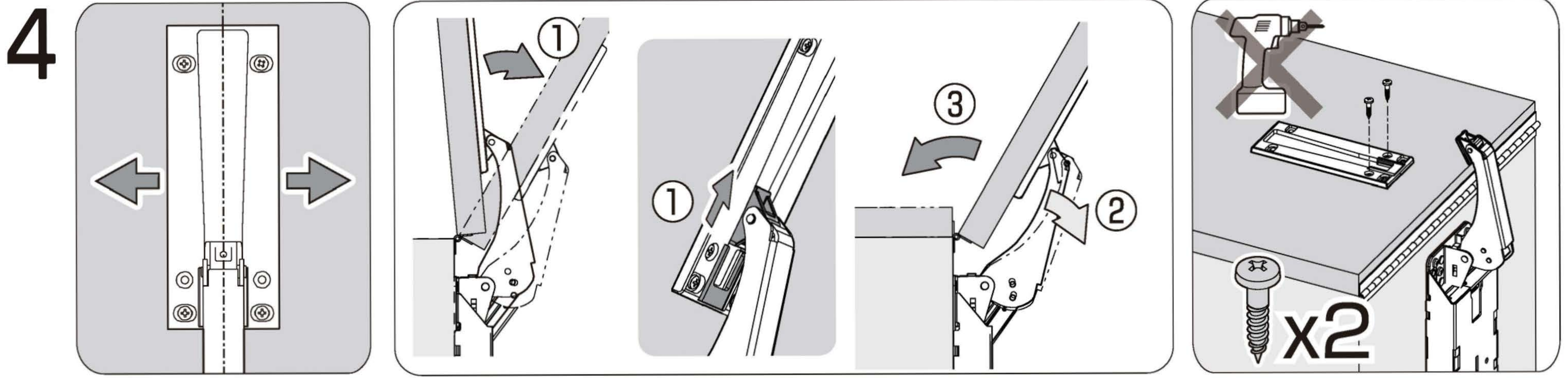


Installation drawing

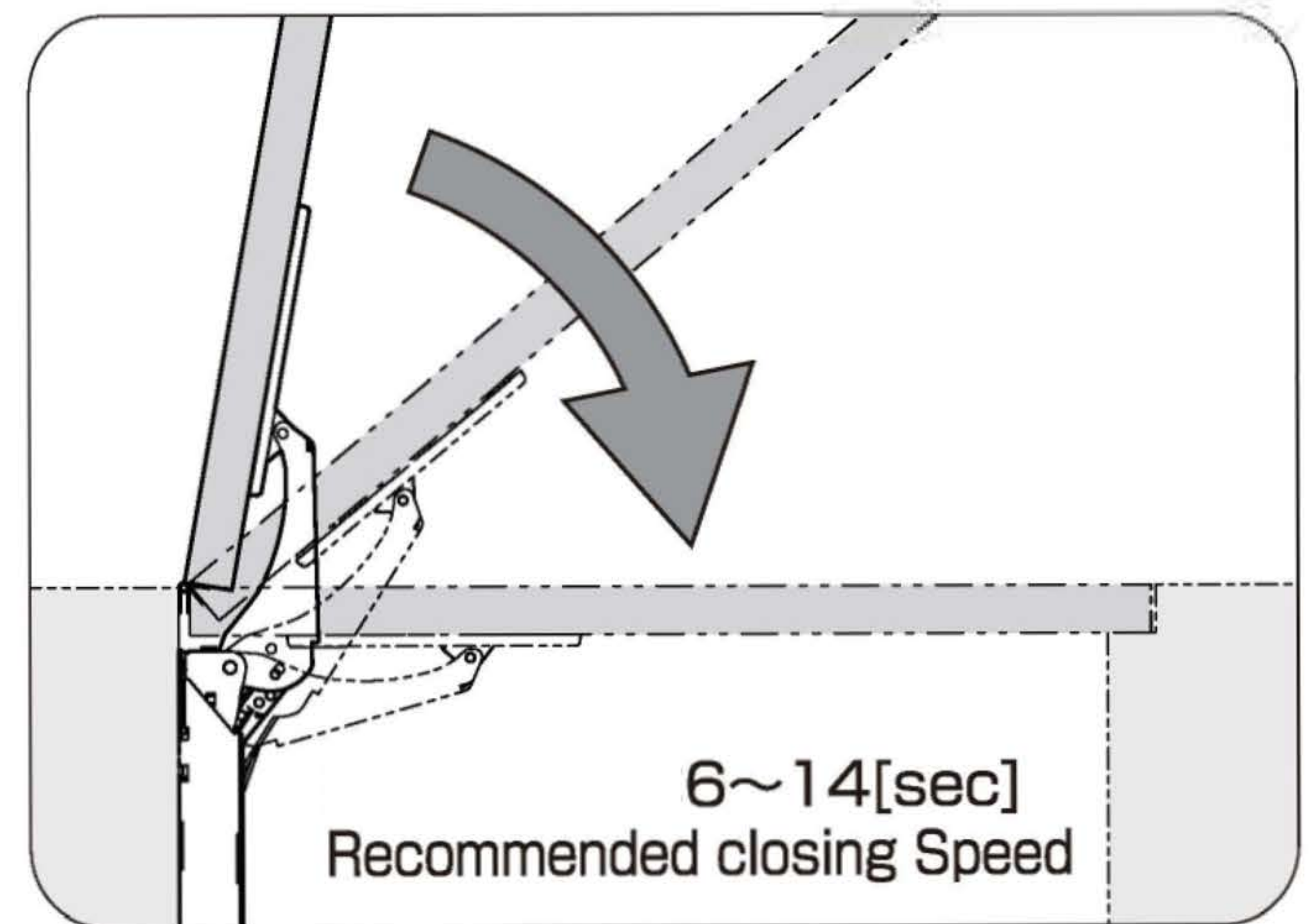
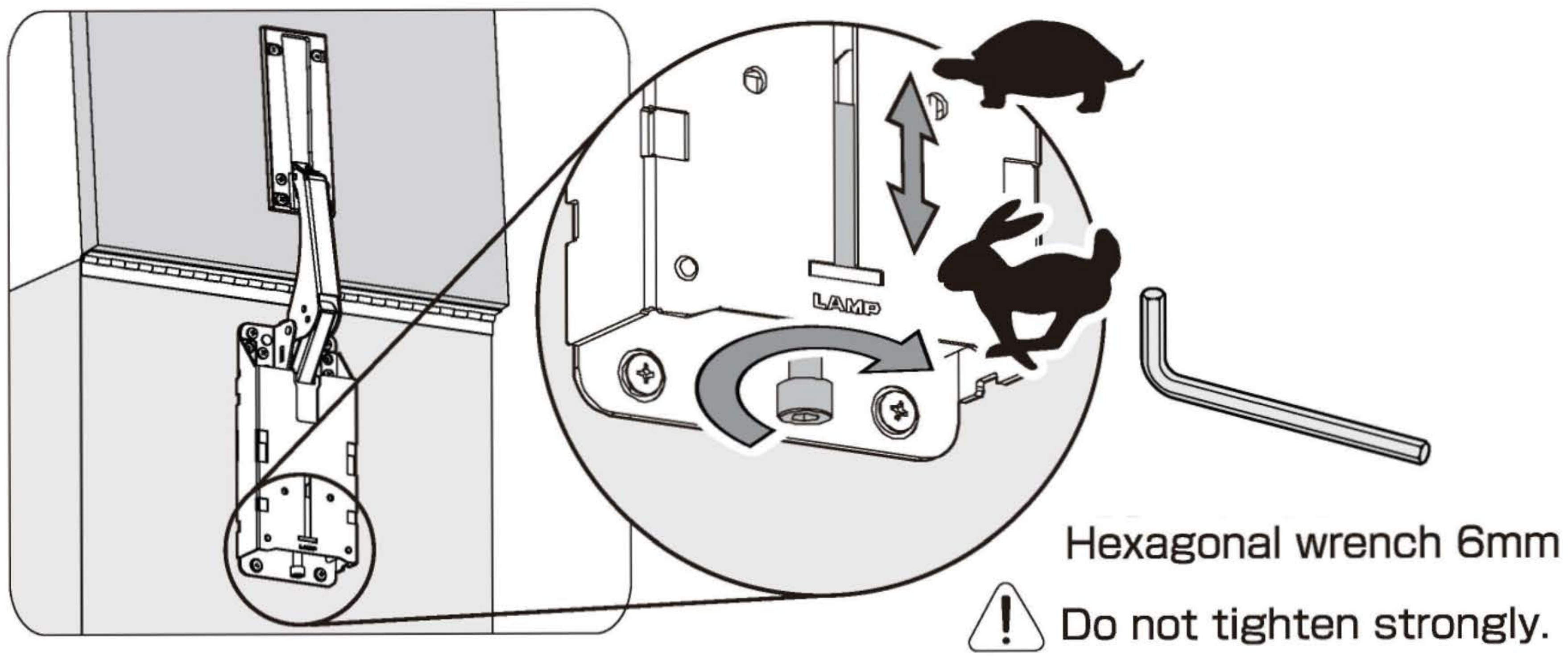


Installation

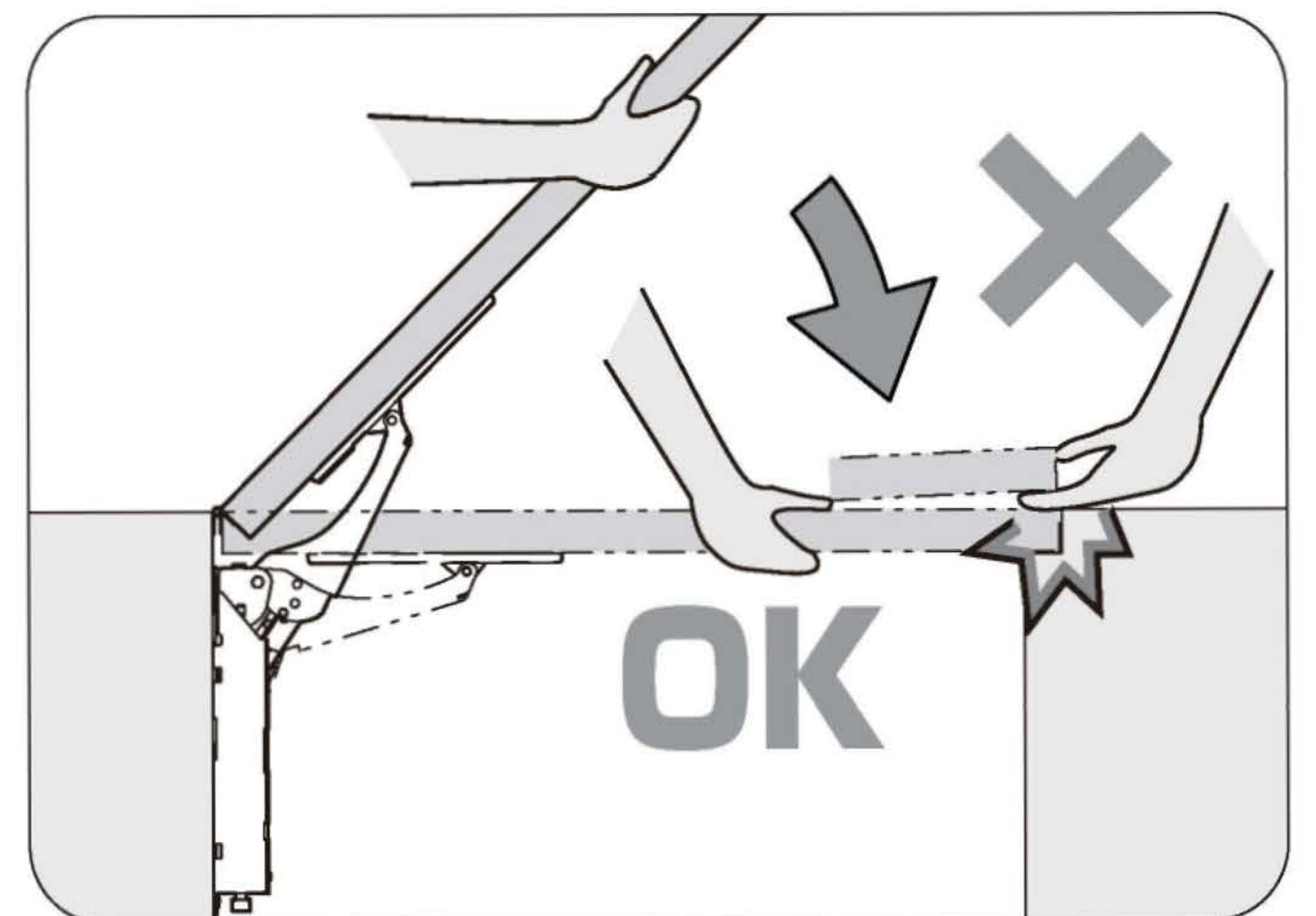
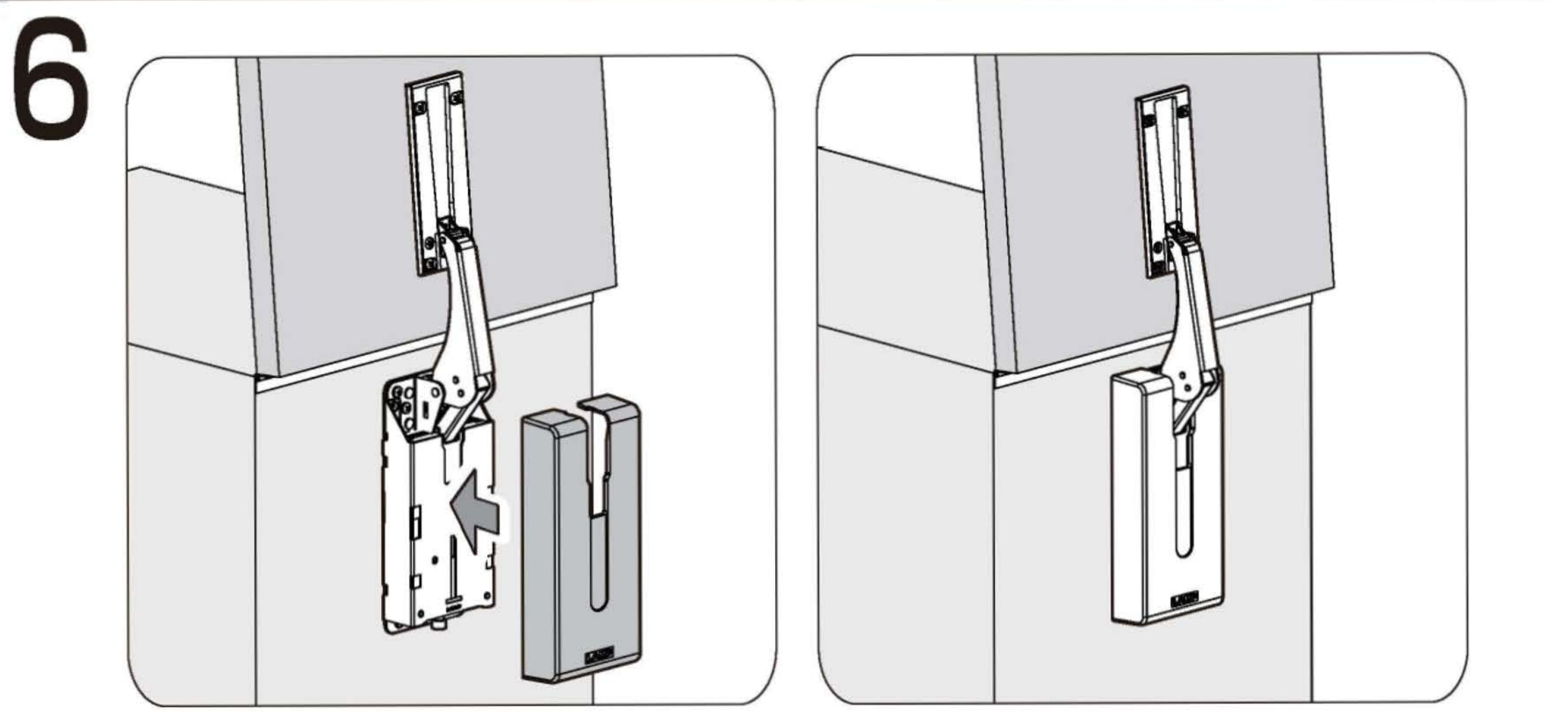




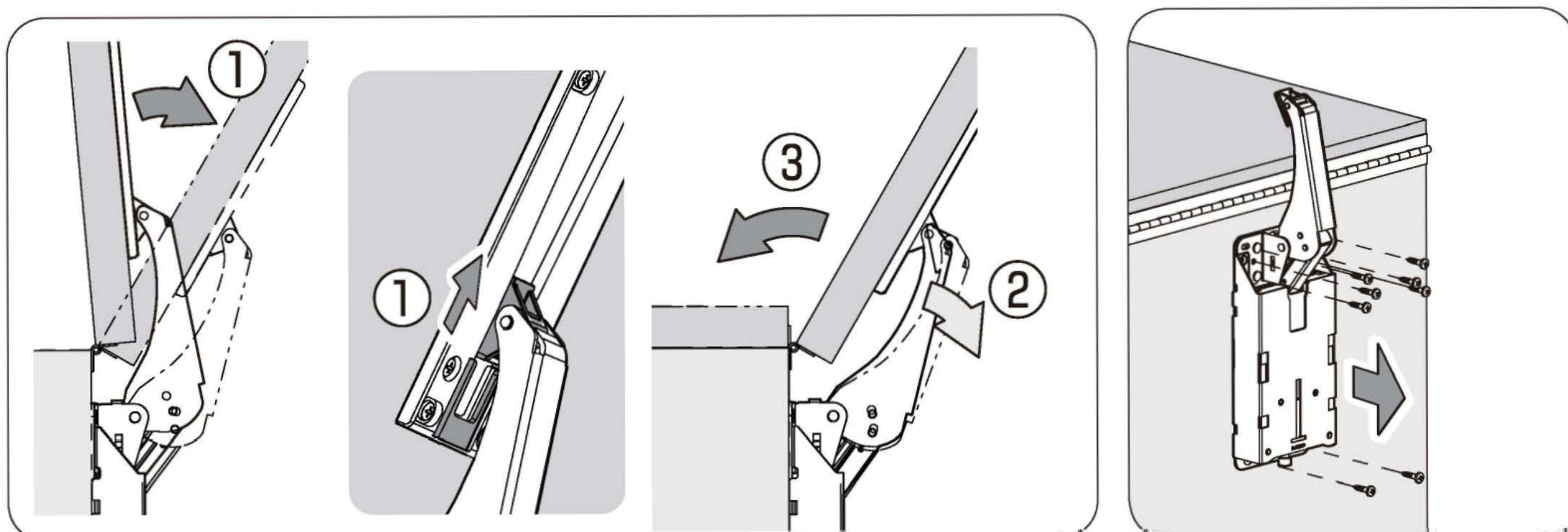
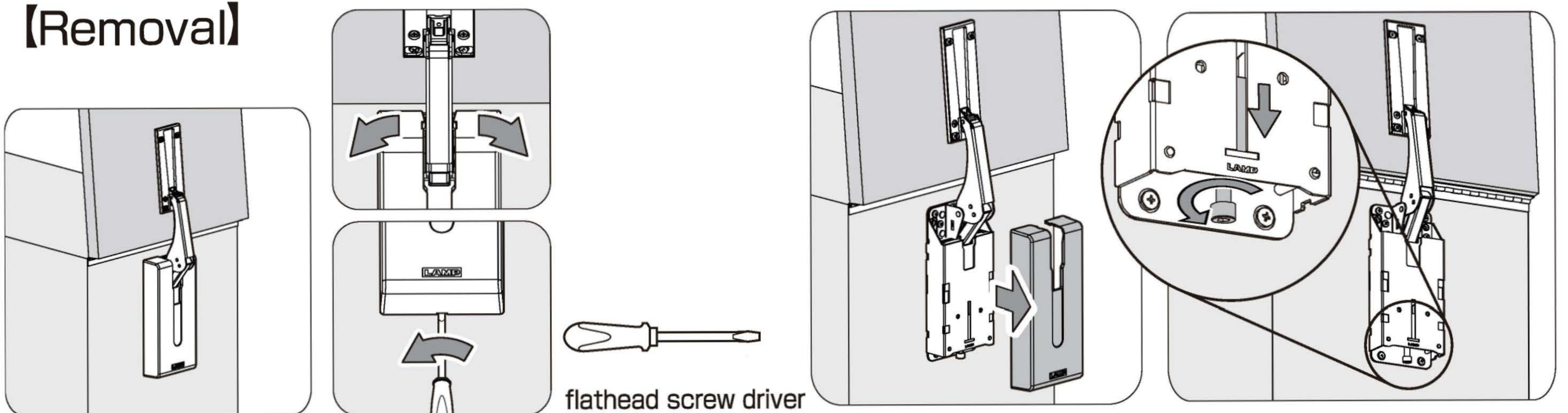
5 Adjustment of closing speed



Please slowly close the door with the hand before closing speed adjustment.



7 [Removal]



! Caution

OK

X

