

Tutti Short Arm Soft Close Hinge



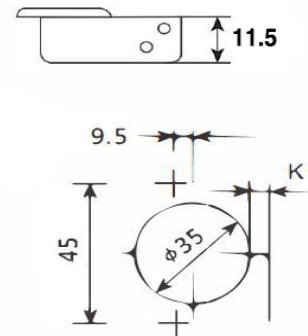
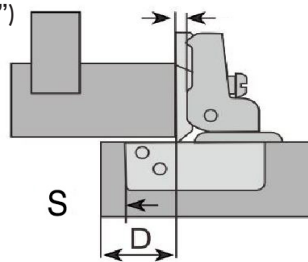
Cup Size: 35mm
Opening Angle: 105 Degrees
Door Thickness: 14 - 22mm
Carcass Thickness: 15 - 19mm
Finish: Nickel Plated

Overlay	SKU
12mm (1/2")	HF66005
16mm (5/8")	HF66006

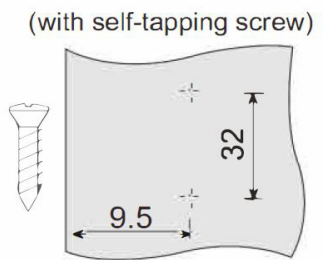
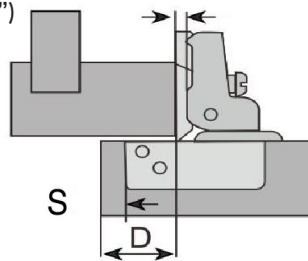
Products	Web Ref
HF66005 x2	HFB0207
HF66006 x2	HFB0208



HF66005
 Overlay: 12mm (1/2")
 Arm Depth: 35mm
 S = 4mm
 D = 12mm



HF66006
 Overlay: 16mm (5/8")
 Arm Depth: 35mm
 S = 4mm
 D = 16mm



S = Distance from the edge of the door to the edge of the cup
 D = Required cover distance on side panel

Dimensions not binding.