

HEAVY DUTY CONCEALED HINGE (INSET)

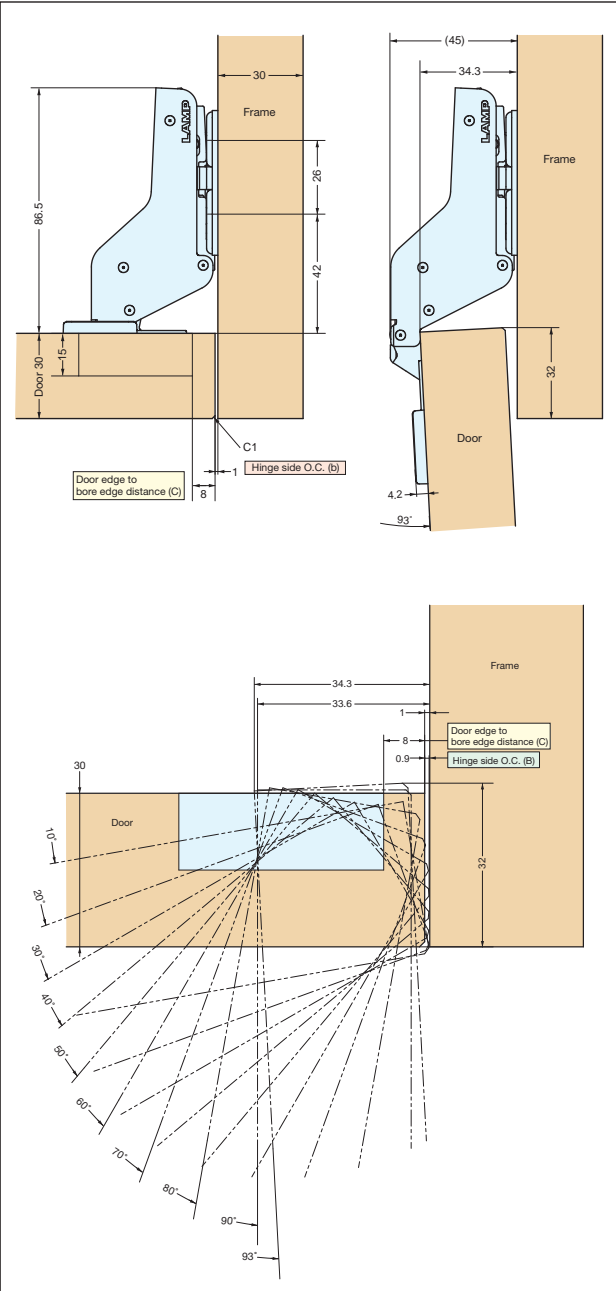


HFB0016 / HFB0017



- Load capacity: 25 kg (55lbs) / 2pcs, 40kg (88lbs) / 3pcs.
- Maximum door width: 800mm (31-1/2") / 2pcs, 900mm (35-7/16") / 3pcs.
- Clip on type for easy installation.
- 3-way adjustment with door installed.
- Requires 6 M5 or equivalent (US#10) screws: 2 pcs for each hinge, and 4 pcs for each mounting plate.
- Optional hinge cover (J95SC-0GR) and mounting plate cover (J95ZC-GR) available.
- Glass face plate (GH-J95FP) also available.

[Wood]



J95ZC-GR
Mounting Plate Cover
Sold Separately



*J95SC-25GR
pictured above
J95SC-0GR
Safety Cover
Sold Separately

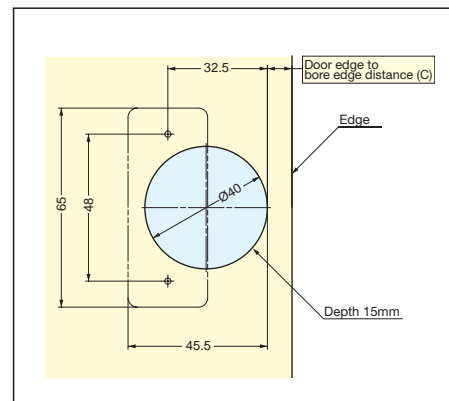
■ Door edge to bore edge distance (C) and Hinge side O.C. (B) Table 1.

Door edge to bore edge distance (C)	3	4	5	6	7	8
Hinge side O.C. (B)	6	5	4	3	2	1

■ Hinge side opening clearance chart Table 2.

Door thickness (D)	Door edge to bore edge distance (C)					
	3	4	5	6	7	8
18	0	0	0	0	0	0
20	0	0	0	0	0	0
22	0.1	0.1	0.1	0.1	0.1	0.1
24	0.1	0.1	0.1	0.1	0.1	0.1
26	0.3	0.3	0.3	0.3	0.3	0.3
28	1.7	1.1	0.6	0.5	0.5	0.5
30	3.5	2.9	2.3	1.8	1.0	0.9
32	5.4	4.7	4.1	3.6	3.0	2.5
34	7.3	6.0	6.0	5.4	4.8	4.3
Hinge side O.C. (B)						

*If the door thickness is over 30mm (1-3/16") the door will need to be chamfered.



Bore Dimensions

Item No.	Type	Weight (g)	Carton (pcs)	Part Name	Material	Finish
J95-24/OT	Free Swing	143	100	Plate	Zinc Alloy	Nickel
J95-C24/OT	Self-Closing	160		Body	Steel	

*Requires J95-P6T Mounting plate sold separately

HEAVY DUTY CONCEALED HINGE (INSET)

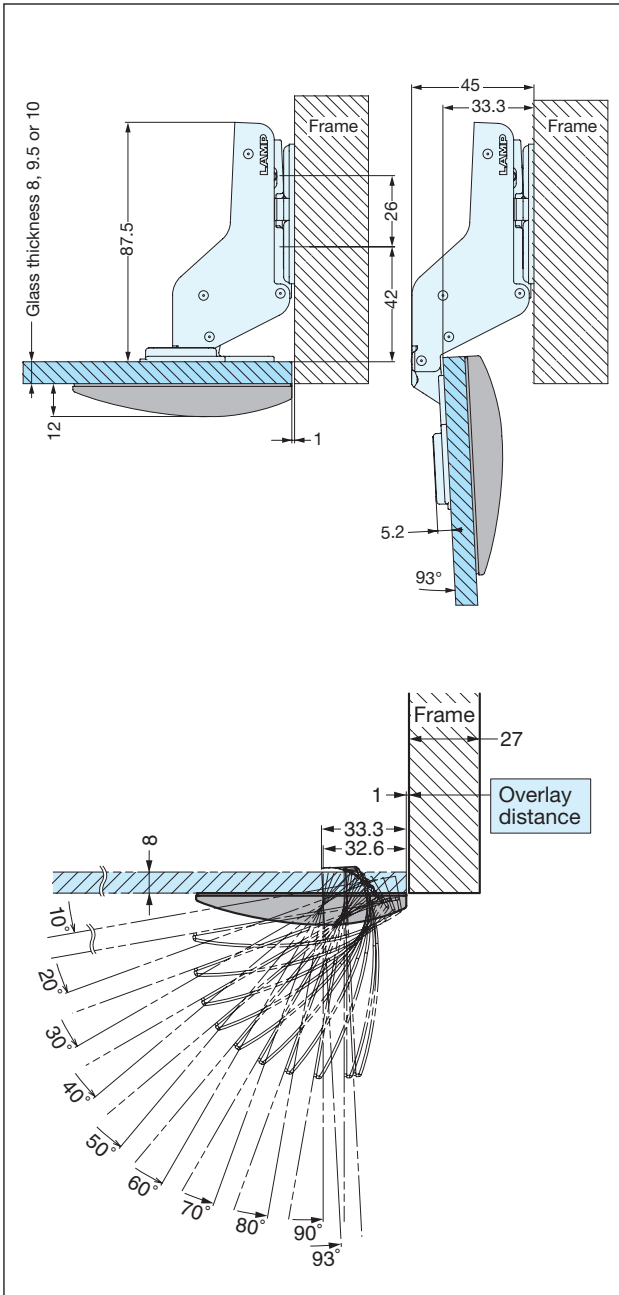


HFB0016 / HFB0017



- Load capacity: 25 kg (55lbs) / 2pcs, 40kg (88lbs) / 3pcs.
- Maximum door width: 800mm (31-1/2") / 2pcs.
- Clip on type for easy installation.
- 3-way adjustment with door installed.
- Requires 6 M5 or equivalent (US#10) screws: 2 pcs for each hinge, and 4 pcs for each mounting plate.
- Optional hinge cover (J95SC-0GR) and mounting plate cover (J95ZC-GR) available.
- Glass face plate (GH-J95FP) required for glass door application.

[Glass]



GH-J95FP
Glass Face Plate
Sold Separately



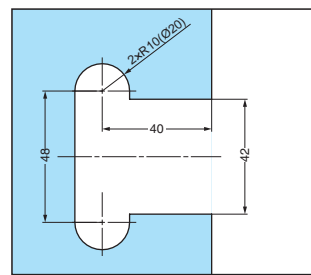
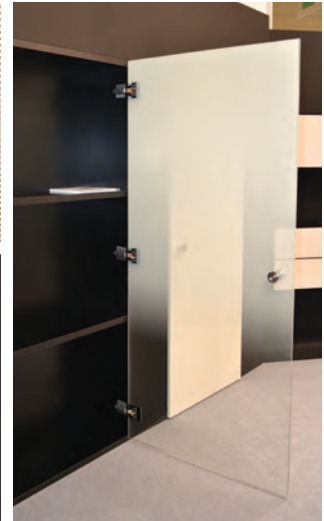
J95ZC-GR
Mounting Plate Cover
Sold Separately



*J95SC-25GR
pictured above
J95SC-0GR
Safety Cover
Sold Separately

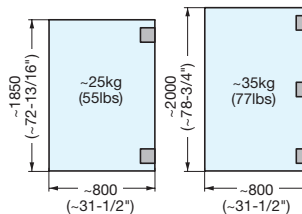
■ Hinge side opening clearance chart

Glass thickness (D)	Hinge side O.C.
8	0
9.5 (3/8")	0
10	0

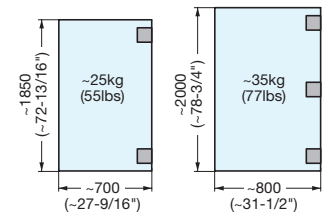


Bore Dimensions

■ Glass thickness 8mm



■ Glass thickness 10mm



Item No.	Type	Weight (g)	Carton (pcs)
J95-24/OT	Free Swing	148	100
J95-C24/OT	Self-Closing	160	

Material	Finish
Steel	Nickel

*For a complete glass set, you must order: J95 hinge + J95-P6T mounting plate + GH-J95FP faceplate.