

# HEAVY DUTY CONCEALED HINGE (16mm OVERLAY)

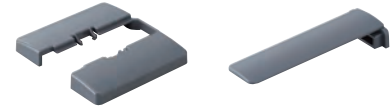
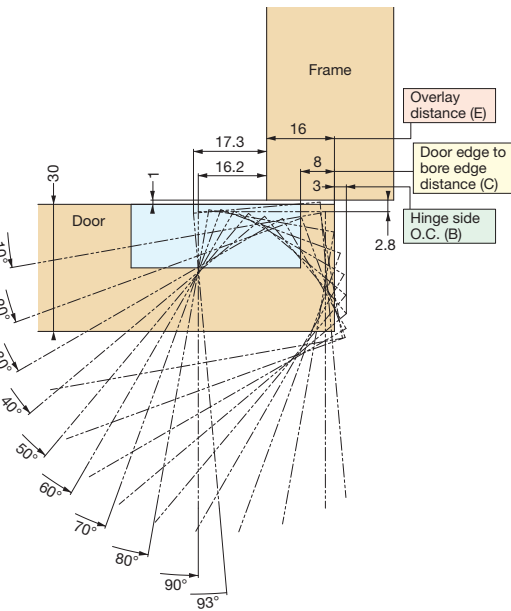
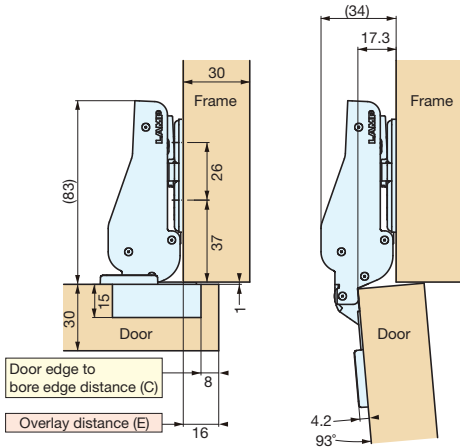


HFB0014 / HFB0015



- Load capacity: 25 kg (55lbs) / 2pcs, 40kg (88lbs) / 3pcs.
- Maximum door width: 800mm (31-1/2") / 2pcs, 900mm (35-7/16") / 3pcs.
- Clip on type for easy installation.
- 3-way adjustment with door installed.
- Requires 6 M5 or equivalent (US#10) screws: 2 pcs for each hinge, and 4 pcs for each mounting plate.
- Optional hinge cover (J95SC-16GR) and mounting plate cover (J95ZC-GR) available.
- Glass face plate (GH-J95FP) also available.

[Wood]



J95ZC-GR  
Mounting Plate Cover  
Sold Separately

☆J95SC-25GR  
Pictured above  
J95SC-16GR  
Safety Cover  
Sold Separately

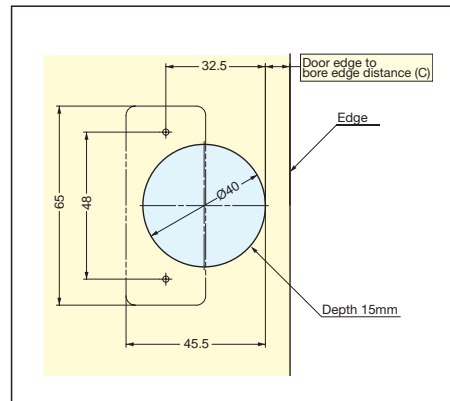
■ Door edge to bore edge distance (C) and Overlay distance (E) Table 1.

Door edge to bore edge distance (C)	3	4	5	6	7	8
Overlay distance (E)	11	12	13	14	15	16

■ Hinge side opening clearance chart Table 2.

Door thickness (D)	Door edge to bore edge distance (C)					
	3	4	5	6	7	8
18	0.3	0.3	0.3	0.3	0.3	0.3
20	0.5	0.5	0.5	0.5	0.5	0.5
22	0.8	0.8	0.8	0.7	0.7	0.7
24	1.1	1.1	1.1	1.1	1.1	1.1
26	1.7	1.6	1.6	1.5	1.5	1.5
28	3.2	2.8	2.5	2.2	2.1	2.0
30	5.0	4.5	4.0	3.6	3.3	3.0
32	6.8	6.2	5.7	5.2	4.8	4.4
34	8.6	8.0	7.5	6.9	6.5	6.0
Hinge side O.C. (B)						

\*Mounting Plate sold separately.  
\*If the door thickness is over 30mm (1-3/16") the door will need to be chamfered.



Bore Dimensions

Item No.	Type	Weight (g)	Carton (pcs)
J95-24/16T	Free Swing	131	50
J95-C24/16T	Self-Closing	143	

Material	Finish
Steel	Nickel

\*Requires J95-P6T Mounting plate sold separately

# HEAVY DUTY CONCEALED HINGE (16mm OVERLAY)

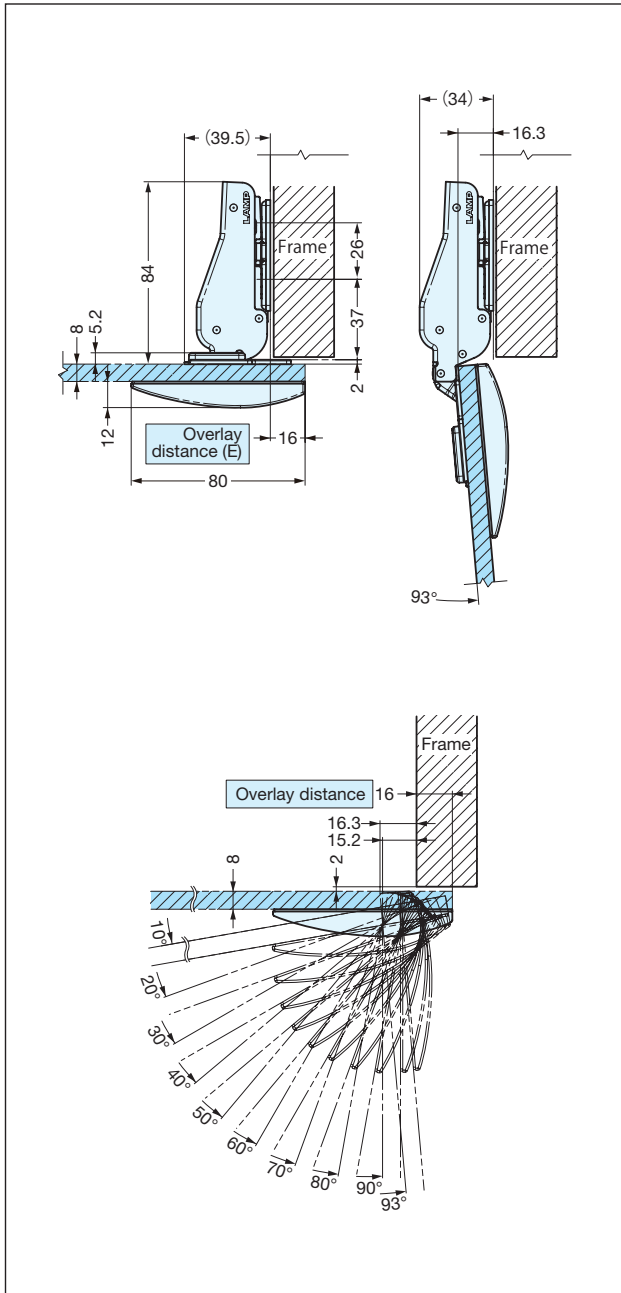


HFB0014 / HFB0015



- Load capacity: 25 kg (55lbs) / 2pcs, 35kg (77lbs) / 3pcs.
- Maximum door width: 800mm (31-1/2") / 2pcs.
- Clip on type for easy installation.
- 3-way adjustment with door installed.
- Requires 6 M5 or equivalent (US#10) screws: 2 pcs for each hinge, and 4 pcs for each mounting plate.
- Optional hinge cover (J95SC-16GR) and mounting plate cover (J95ZC-GR) available.
- Glass face plate (GH-J95FP) also available.

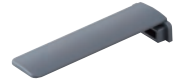
[Glass]



GH-J95FP  
Glass Face Plate  
Sold Separately



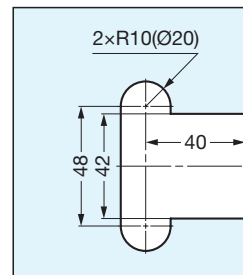
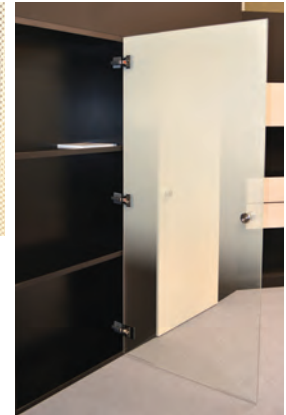
J95ZC-GR  
Mounting Plate Cover  
Sold Separately



☆J95SC-25GR  
Pictured above  
J95SC-16GR  
Safety Cover  
Sold Separately

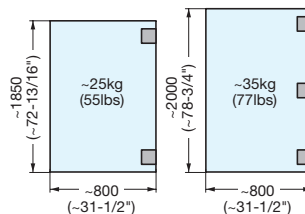
■ Hinge side opening clearance chart

Glass thickness (D)	Hinge side O.C.
8	0
9.5 (3/8")	0
10	0

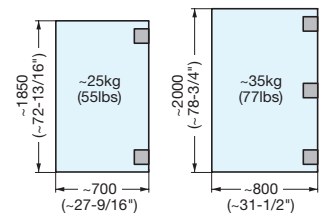


Bore Dimensions

■ Glass thickness 8mm



■ Glass thickness 10mm



Item No.	Type	Weight (g)	Carton (pcs)
J95-24/16T	Free Swing	131	50
J95-C24/16T	Self-Closing	143	

Material	Finish
Steel	Nickel

\*Requires J95-P6T Mounting plate sold separately