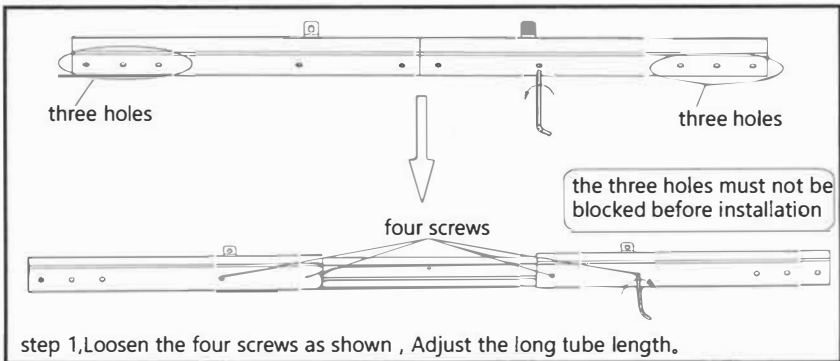
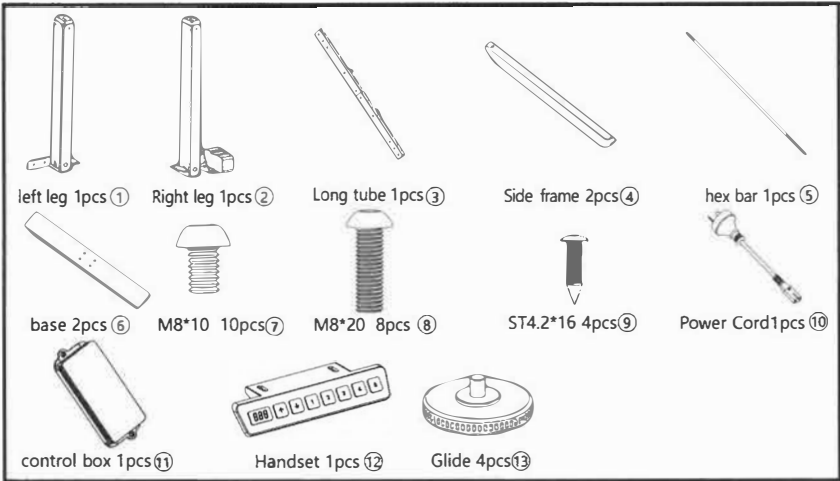
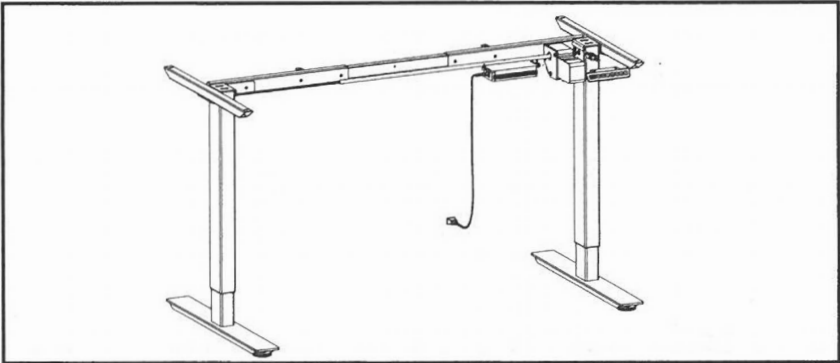
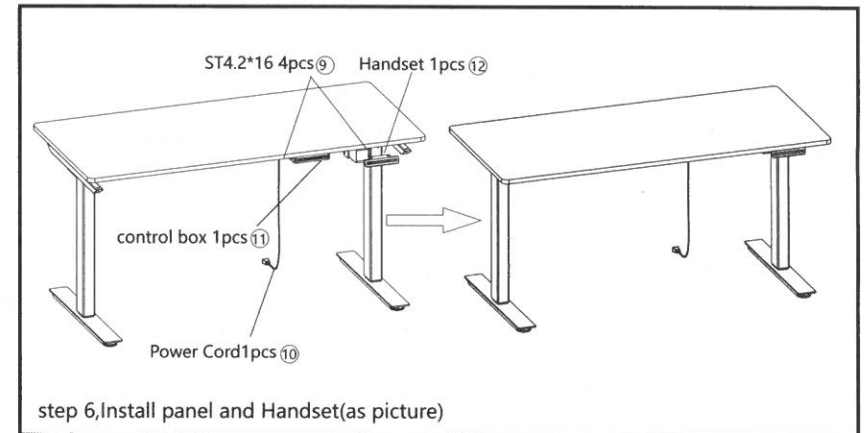
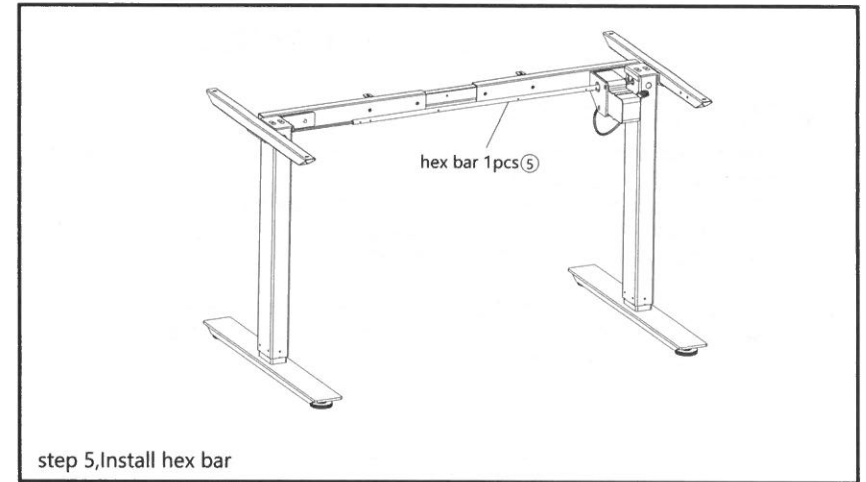
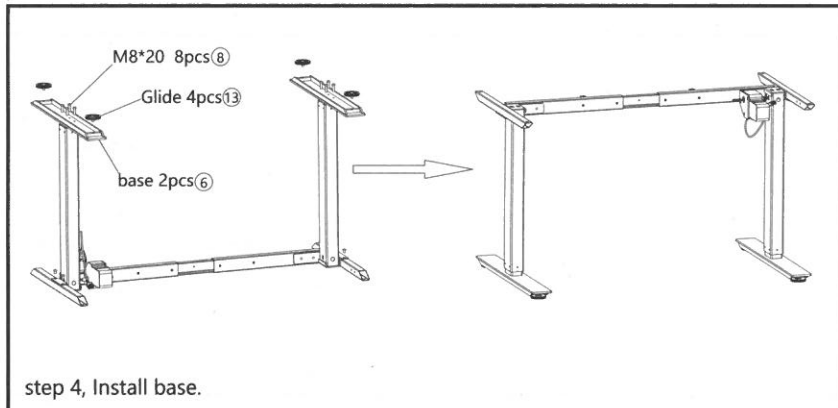
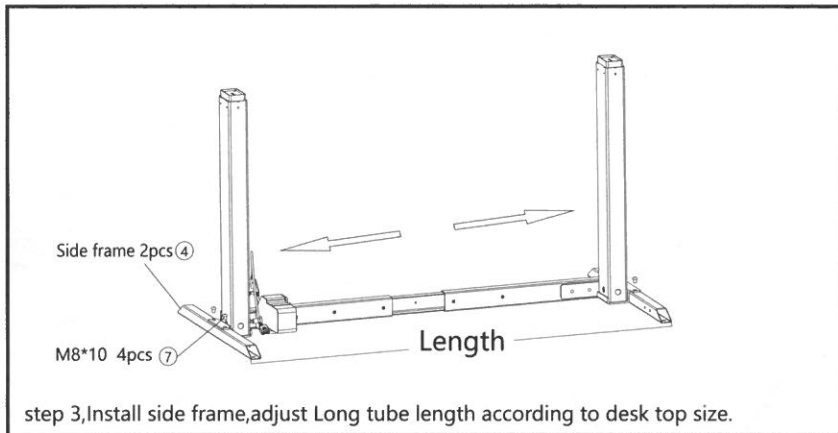
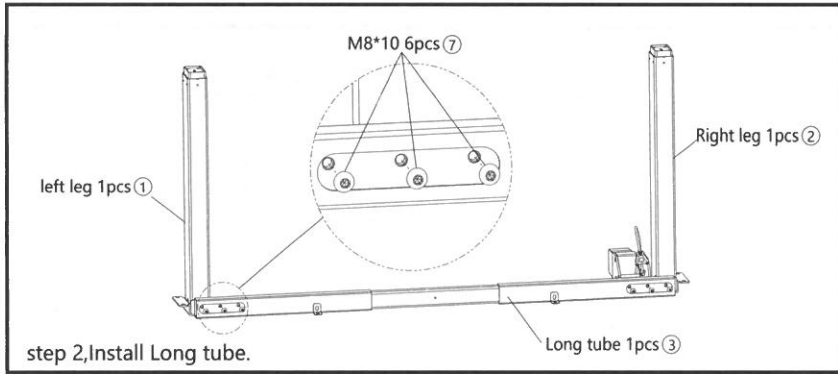
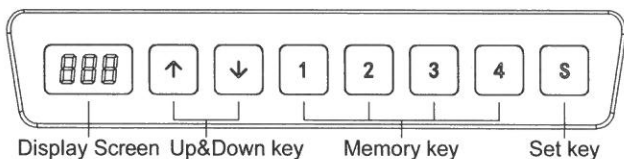


Installation instruction





DIRECTIONS FOR USE



The whole handset surface is a button panel. If there is no press within 30 seconds, the screen is locked and 1/2/3/4/S keys are locked correspondingly, you should press Up or Down key first, it can be used when the display screen light up.

■ Display Screen

Display the height value of the desk.

■ Up & Down Keys

Please keep pressing UP/DOWN key to adjust desk height until you get an optimum height.

■ Memory Key (1/2/3/4)

After setting memory keys, the desk can lift automatically to memory height.

※ How to set memory mode

Click the "S" key when running to a specific point. The display screen displays "S-" and "-" flashes.

At this time, press "1-4" button to store the position to the corresponding label. the memory height is successfully saved, Then light press 1/2/3/4, the desk moves to memory height automatically.

■ Set Key(S)

Press the "S" key when memory bits and internal parameters need to be set.

■ Initialization

1. When "RST" is on the display screen, press the "↓" button until the desk frame reaches its lowest point.

After hearing the "di" sound and desk frame rebounds, initialization is completed.

(P.S. The button cannot be released during this operation, otherwise the initialization will fail)

2. Forced initialization: Press the "↓" button until the desk frame reaches its lowest point, then release the button and press it again for about 5 seconds until hear the "di" sound and desk frame rebound, and the initialization is completed.

3. Restore the factory settings: When new controller is changed or the parameters need to be restored to the factory settings, press the "↓" and "↑" buttons simultaneously, you will hear the first "di" sound after about 5 seconds and second "di" sound after 10 seconds. When the display screen shows "RST", please operate refer to the No.1 item.

■ Safety Function

When the desktop is on the rise or down, encountered reverse resistance, the desk will rebound.

■ Handset shows error code and solution

| Error code | Fault cause | Solution |
|-----------------|------------------------------|--|
| E01,E06,E07 | power fault | change power |
| E02 | nsynchronous height over 1cm | Implement the initialization operation 1 |
| E04 | handset fault | Unplug and replug the cable of hand set |
| E05 | Anticollision alert | Rebound reminder , normal condition |
| E08 | desktop sloping | check the desktop |
| E11,E21,E40,E41 | Connection cable failure | Check the connecting cable |
| E12,E22,E42,E43 | controller fault | Exchange the controller |
| E14-E17,E24-E27 | motor fault | change motor |
| E18,E28 | overloading | reduce the loading |
| HOT | overtime operation | Automatic recovery after stop using for 20 minutes |