

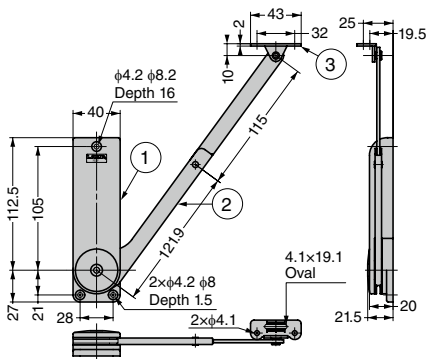
HEAVY DUTY SOFT-DOWN STAY HDS-30 For Use in Pairs



[Applicable Range]

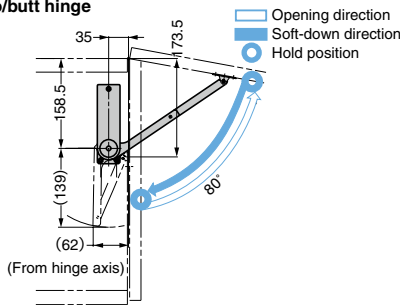
- Choose from 3 types according to maximum door moment.
- Maximum door moment (N · m) = Door weight (kg) × 9.80665 × Distance from rotation centre to door centre of gravity (m)

Maximum door moment N · m	Model	Qty
13.7~19.5	K	2 pcs
19.6~24.4	M	
24.5~29.4	H	



[Installation] Right side installation for upward-opening 80°. Left side installation is symmetrical.

With piano/butt hinge



Opening Direction	Description	Non-handed	Model	Maximum Door Moment
Upward-opening	With Catch For Use in Pairs	-	K	13.7~19.5 N · m/2 pcs (140~199 kgf · cm/2 pcs)
			M	19.6~24.4 N · m/2 pcs (200~249 kgf · cm/2 pcs)
			H	24.5~29.4 N · m/2 pcs (250~300 kgf · cm/2 pcs)

- For upward-opening doors.
- Designed to hold the door in fully opened and closed positions.
- For door hinge, piano/butt hinge or concealed hinge is suitable.
- AS parts set 1 for installing to aluminium frame also available.

[Specifications]

- Operating temperature: 0°C~40°C

[Remarks]

- Be sure to read the "Cautions" 2.
- Used in pairs.
- Do not push the door further over 80°. And do not roughly open and close the door.

[Parts Included]

- Mounting plate
- Binding head tapping screw 3.5×15

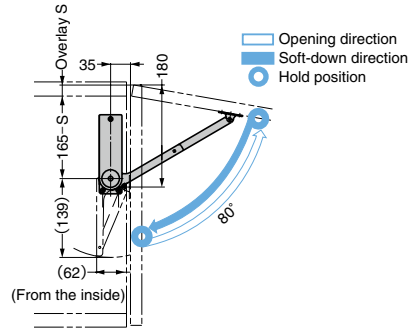
Video Link



Selection Tool
Sasuga-kun
 Applicable Products
 Used for Product Selection & Simulation.
 Available on Web!

No.	Part Name	Material	Finish/Colour
①	Body	ABS	Black, White
②	Arm	Steel (SPCC)	Nickel
③	Mounting Plate		

With concealed hinge



RHS	CAD	Item Code	Item Name	Type	Material	Finish/Colour	Model	Maximum Door Moment N · m/2 pcs	Maximum Door Moment kgf · cm/2 pcs	Weight (g)	Box (pcs)	Carton (pcs)
☑	☑	180-104-078	HDS-30KR-BL	Right-handed	ABS/Steel	Nickel/Black	K	13.7~19.5	140~199	276	40	-
☑	☑	180-104-079	HDS-30KL-BL	Left-handed		Nickel/White				276	40	-
☑	☑	180-109-270	HDS-30KR-WT	Right-handed		Nickel/Black				276	40	-
☑	☑	180-109-271	HDS-30KL-WT	Left-handed		Nickel/White	M	19.6~24.4	200~249	294	40	-
☑	☑	180-104-080	HDS-30MR-BL	Right-handed		Nickel/Black				294	40	-
☑	☑	180-104-081	HDS-30ML-BL	Left-handed		Nickel/White				294	40	-
☑	☑	180-109-272	HDS-30MR-WT	Right-handed		Nickel/White	H	24.5~29.4	250~300	300	40	-
☑	☑	180-109-273	HDS-30ML-WT	Left-handed		Nickel/Black				300	40	-
☑	☑	180-104-082	HDS-30HR-BL	Right-handed		Nickel/White				300	40	-
☑	☑	180-104-083	HDS-30HL-BL	Left-handed		Nickel/Black	H	24.5~29.4	250~300	300	40	-
☑	☑	180-109-274	HDS-30HR-WT	Right-handed		Nickel/White				300	40	-
☑	☑	180-109-275	HDS-30HL-WT	Left-handed		Nickel/Black				300	40	-

Refer to 1 : P.255, 2 : P.207

AS Parts Set for Installing to Aluminium Frame

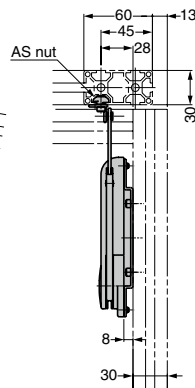
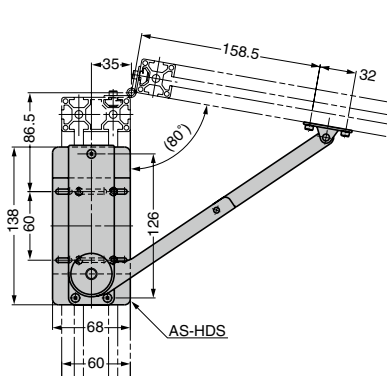
Please refer to the series introduction page 1 for details about AS series.



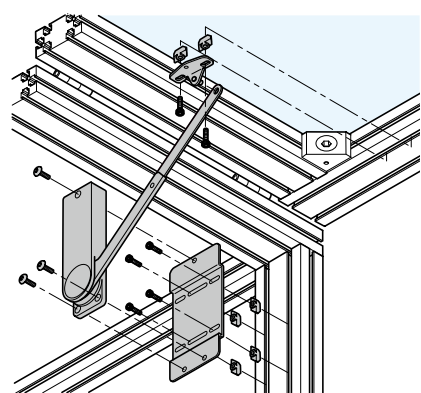
[AS Parts Set] Parts set of brackets, screws and AS nuts used for installing to aluminium frame.

RefS	CAD	Item Code	Item Name	Aluminium Frame	Parts (Stays)	Parts (Others)	Weight (g)
☞	3D	180-013-661	AS-HDS-30KR-BL-30-6	Groove Width 6 mm	HDS-30KR-BL : 1 pc	AS Nut AS-6M4 : 6 pcs Pan Head Screw M4×8 : 3 pcs Bracket AS-HDS : 1 pc Hexagon Socket Head Cap Screw M4×10 : 6 pcs	-
-	3D	180-013-662	AS-HDS-30KL-BL-30-6		HDS-30KL-BL : 1 pc		-
☞	3D	180-013-663	AS-HDS-30KR-WT-30-6		HDS-30KR-WT : 1 pc		-
☞	3D	180-013-664	AS-HDS-30KL-WT-30-6		HDS-30KL-WT : 1 pc		-
☞	3D	180-013-665	AS-HDS-30MR-BL-30-6		HDS-30MR-BL : 1 pc		-
-	3D	180-013-666	AS-HDS-30ML-BL-30-6		HDS-30ML-BL : 1 pc		-
☞	3D	180-013-667	AS-HDS-30MR-WT-30-6		HDS-30MR-WT : 1 pc		-
☞	3D	180-013-668	AS-HDS-30ML-WT-30-6		HDS-30ML-WT : 1 pc		-
-	3D	180-013-669	AS-HDS-30HR-BL-30-6		HDS-30HR-BL : 1 pc		-
-	3D	180-013-670	AS-HDS-30HL-BL-30-6		HDS-30HL-BL : 1 pc		-
☞	3D	180-013-671	AS-HDS-30HR-WT-30-6	HDS-30HR-WT : 1 pc	-		
☞	3D	180-013-672	AS-HDS-30HL-WT-30-6	HDS-30HL-WT : 1 pc	-		
☞	3D	180-013-673	AS-HDS-30KR-BL-30-8	Groove Width 8 mm	HDS-30KR-BL : 1 pc	AS Nut AS-8M4 : 6 pcs Pan Head Screw M4×8 : 3 pcs Bracket AS-HDS : 1 pc Hexagon Socket Head Cap Screw M4×10 : 6 pcs	-
-	3D	180-013-674	AS-HDS-30KL-BL-30-8		HDS-30KL-BL : 1 pc		-
☞	3D	180-013-675	AS-HDS-30KR-WT-30-8		HDS-30KR-WT : 1 pc		-
☞	3D	180-013-676	AS-HDS-30KL-WT-30-8		HDS-30KL-WT : 1 pc		-
☞	3D	180-013-677	AS-HDS-30MR-BL-30-8		HDS-30MR-BL : 1 pc		-
-	3D	180-013-678	AS-HDS-30ML-BL-30-8		HDS-30ML-BL : 1 pc		-
☞	3D	180-013-679	AS-HDS-30MR-WT-30-8		HDS-30MR-WT : 1 pc		-
☞	3D	180-013-680	AS-HDS-30ML-WT-30-8		HDS-30ML-WT : 1 pc		-
-	3D	180-013-681	AS-HDS-30HR-BL-30-8		HDS-30HR-BL : 1 pc		-
-	3D	180-013-682	AS-HDS-30HL-BL-30-8		HDS-30HL-BL : 1 pc		-
☞	3D	180-013-683	AS-HDS-30HR-WT-30-8	HDS-30HR-WT : 1 pc	-		
☞	3D	180-013-684	AS-HDS-30HL-WT-30-8	HDS-30HL-WT : 1 pc	-		

[Dimensions]



[How to Install]



Refer to 1 : FRONT P.20

LIFT ASSIST STAYS

SOFT CLOSING STAYS

TORQUE STAYS

HEAVY DUTY LOCKING STAYS

FOOT STAYS

LID STAYS

OTHER STAYS

TOP-OPENING

DOWNWARD-OPENING

UPWARD-OPENING

BOTTOM-OPENING

SWING DOOR

LIFT-UP

LIFT-DOWN

UP & OVER

BI-FOLDING

OVER THE TOP