

LAMP.

HDS-10 Installation Instructions

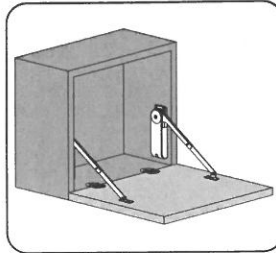
(Soft Down Stay For Downward-Opening Flap Door)

**Dear Customer:**

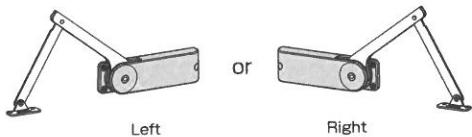
HDS-10 stay was designed and manufactured with Sugatsune's utmost care in order to give you a high performance and smooth operation on a long-term basis.
We ask you to follow these instructions for best possible results and carefree use throughout lifetime.

Safety recommendations:

- Sugatsune recommends for the installation to be made by a professional carpenter or installer.
- This product should be used in pairs.
- Do not disassemble the arm or body of the stay.
- Please use this stay only within the specifications shown in this manual.
- Standard temperature of use is 0 to 40°C.

**! Warranty**

- HDS-10 was produced with a particular attention to its quality. Should you however experience any difficulty, please refer to your local supplier or Sugatsune Export Department (export@sugatsune.co.jp).
- The liability of Sugatsune is limited to the replacement of the stay itself.
- Sugatsune cannot accept any liability for damage incurred while using this stay.
- Standard guaranty is for one-year period from the date of shipment.

Parts list

■ Body : 1 piece

■ Installation screws(3.5x15)
: 6 pieces**Specifications**

■ Range applicable for a pair of HDS-10

Model	Torque Moment
HDS-10-K	13.7~19.5 N·m (140~199 kgf·cm)
HDS-10-M	19.6~24.4 N·m (200~249 kgf·cm)
HDS-10-H	24.5~29.4 N·m (250~300 kgf·cm)

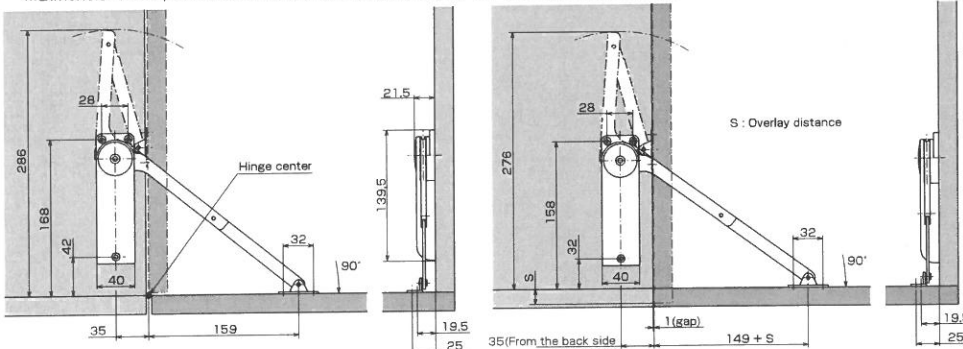
■ Torque Moment Calculation

$$\text{Torque Moment(N·m)} = \text{Door weight(kg)} \times 9.8 \times \frac{\text{Door height(m)}}{2}$$

- *Select the torque moment range applicable in the list above.
- *Weight of the door should include the handle.
- *Check with the actual product if the torque moment is around upper/lower limit.

Installation drawing

*Dimensions and procedures indicate the Right hand use. For the Left, a mirror image.



With Piano/Butt Hinge

With Drop Hinge (SDH-001)

Installation

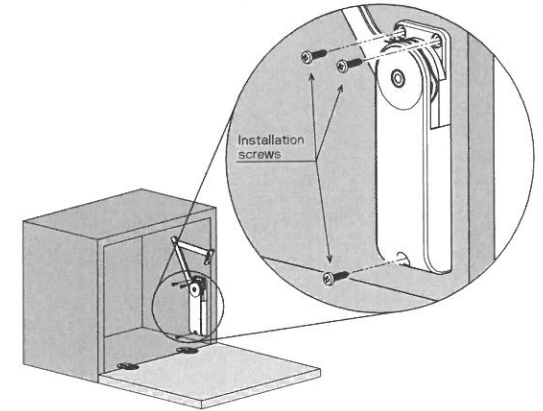
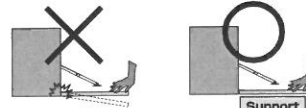
⚠ Check if the hinges are installed properly and the door moves smoothly before installing the stay.

1 Body installation

Firmly fix the body with the installation screws according to the installation drawing.

! CAUTION

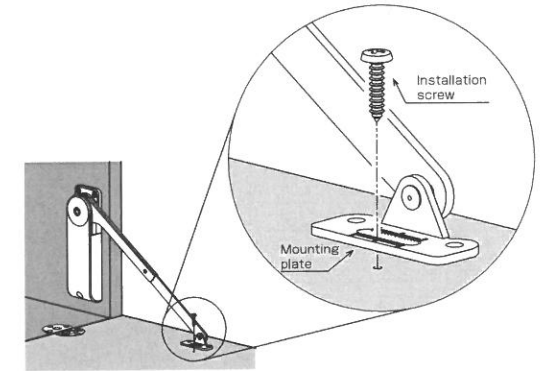
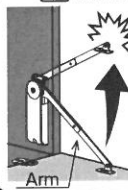
Be careful not to overload the hinges.

**2 Mounting plate adjustment**

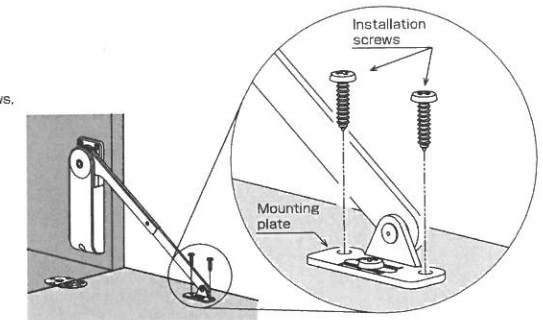
Temporary fix the mounting plate with the installation screw using the elongate hole. Open/close the door and adjust the position of the mounting plate until the door moves smoothly.

! WARNING

Hold the arm firmly when installing the mounting plate to the door as it will spring back up violently and may cause serious injuries.

**3 Mounting plate installation**

Fix the mounting plate firmly using the installation screws.



SUGATSUNE KOGYO CO.,LTD.
Phone: +81 3 3866 2260
F a x : +81 3 3866 4447
E-mail: export@sugatsune.co.jp
Website: www.sugatsune-intl.com

SUGATSUNE KOGYO (UK) LTD.
Phone: +44 118 9272 955
F a x : +44 118 9272 871
E-mail: sales@sugatsune.co.uk
Website: www.sugatsune.co.uk

SUGATSUNE AMERICA, INC.
Phone: +1 310 329 6373
F a x : +1 310 329 0819
E-mail: sales@sugatsune.com
Website: www.sugatsune.com

SUGATSUNE SHANGHAI CO., LTD.
Phone: +86 21 3632 1858
F a x : +86 21 3632 1868
E-mail: lamp@sugatsune.com.cn
Website: www.sugatsune.com.cn

ISO9001 (Japan Offices and Sugatsune America) and ISO14001 (Chiba Production division and Logistics center), certified.

2015.02 PRINTED IN JAPAN 0834-2